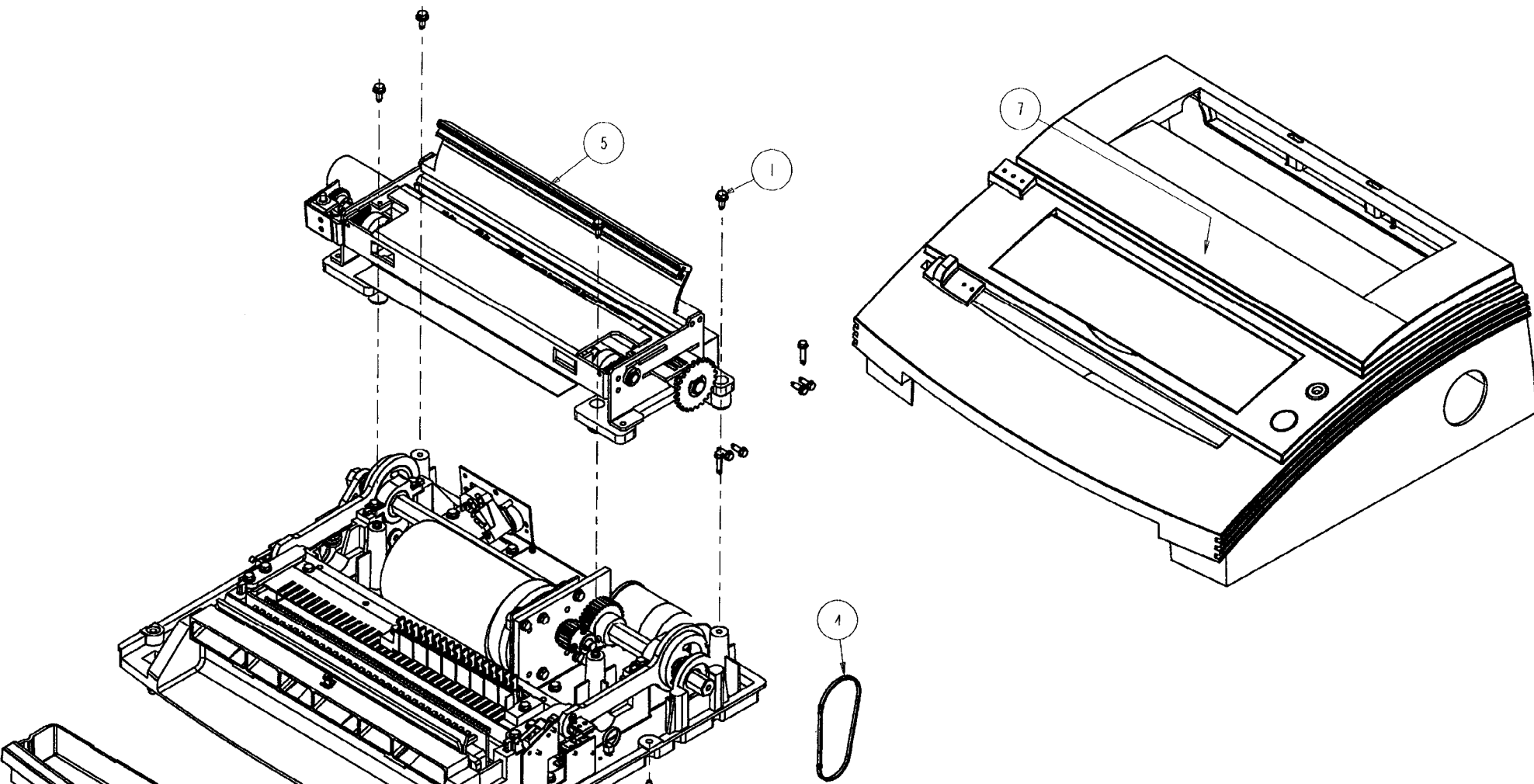




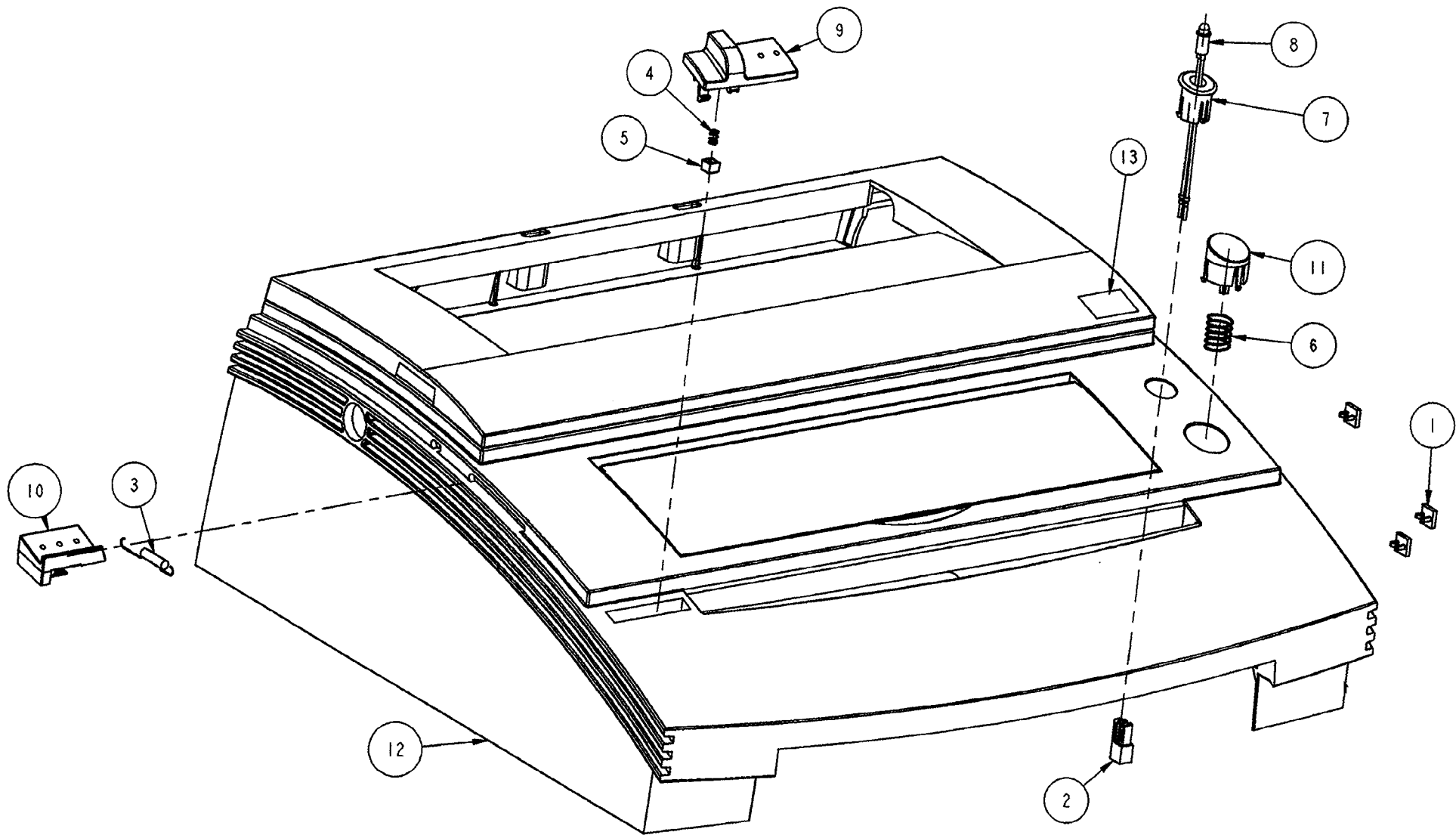
WIRE PRO 1000 Parts List



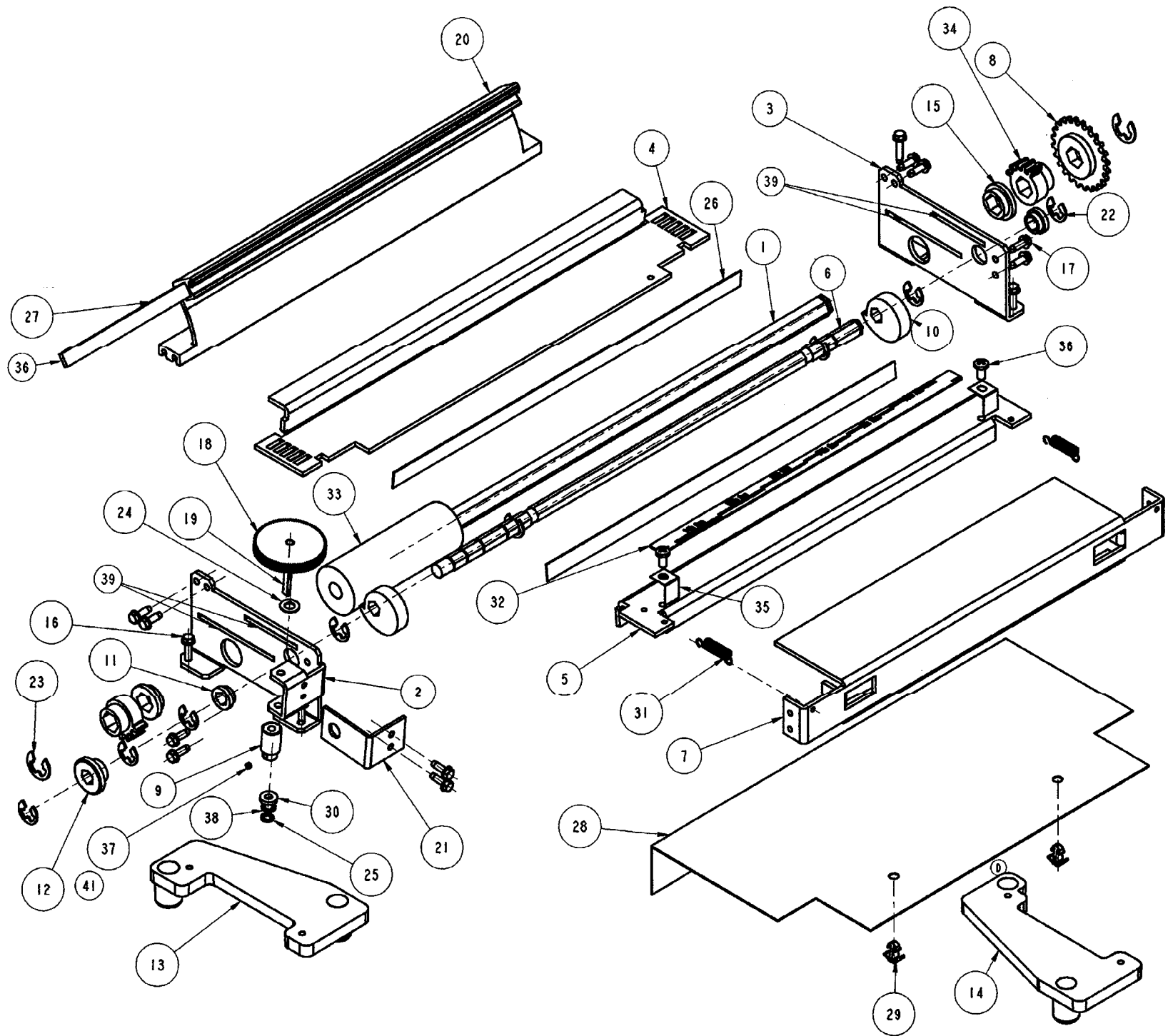
GBC IS AN ACCO BRANDS COMPANY



7	7703945	HOUSING ASSEMBLY	1
6	7703942	PUNCH ASSEMBLY	1
5	7703880	ASSY-CLOSER-TL300/TL400	1
4	7703876	CHAIN	1
3	7703570	CHIP TRAY	1
2	1911001	10-32 X 3/4 SEMS WSH SKT HD SCR	4
1	1907105	10-32x1/2 SEMS HX WSH HD TAP SCR	4
ITEM	PART NO.	DESCRIPTION	QTY.

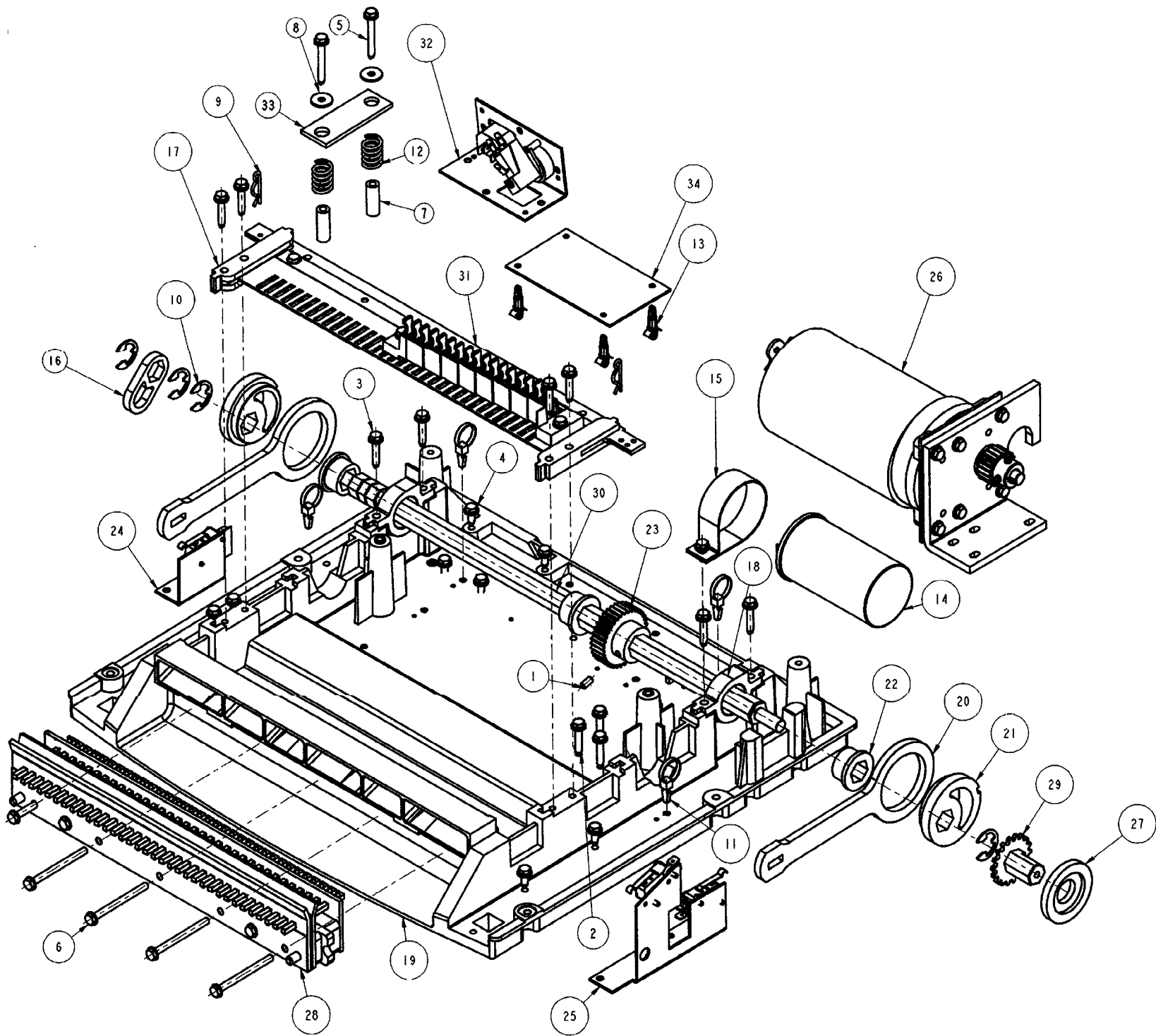


12	7703944	HOUSING, FINISHED	1
11	7703707	PUNCH SWITCH BUTTON	1
10	7703706	BINDER SIZER	1
9	7703705	EDGE GUIDE	1
8	7703698	LED ASSEMBLY	1
7	7703697	HOLDER, LED	1
6	7703629	SPRING_PUNCH SWITCH BUTTON	1
5	7703578	SLIDE, EDGE GUIDE	1
4	7703577	SPRING, EDGEGUIDE	1
3	7703575	SPRING, BINDER SIZER	1
2	1951308	ELECTRIC CONNECTOR	1
1	1931051	CABLE CLAMP	3
ITEM	PART NO.	DESCRIPTION	QTY.



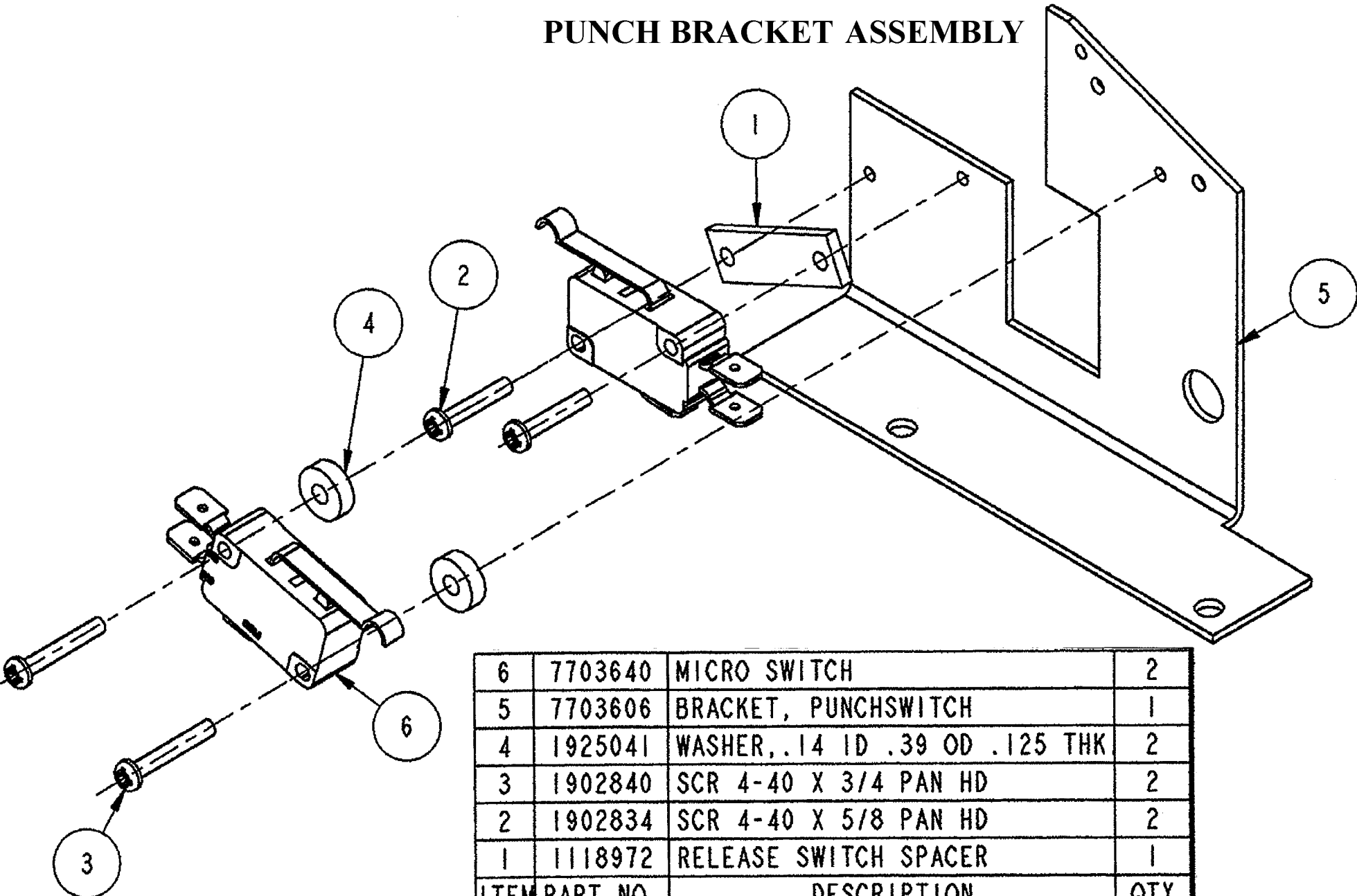
41	1960524	LOCTITE 242	.001
40	1960525	LOCTITE 495	.01
39	1961503	LUBRIPLATE #130-AA	.001
38	1925803	#10 STEEL INTERNAL LOCK WASHER	1
37	1900019	SET SCREW #6-32x1/8, CONIC POINT	1
36	1908500	SCR.10-32x3/8 PHL.PAN HD THRD FORM.	2
35	7703585	SHIM, CLOSER TL (SEE NOTE 2)	2
34	7703915	DRIVE GEAR	2
33	7703894	SLEEVE,CLOSER	1
32	7703824	LABEL, CLOSER ADJUST	1
31	1935309	SPRING	2
30	7703842	WASHER, WORM	1
29	1930302	PLUG	2
28	7703882	ELECTRIC SHIELD, MOTOR	1
27	7703828	MAGNET	1
26	7703826	RUBBER STRIP	2
25	1932510	E-CLIP	1
24	1925214	WASHER	1
23	1930522	E-CLIP	2
22	1930516	E-CLIP	8
21	7703829	BRACKET, GEAR SUPPORT	1
20	7703887	WIRE HOLDER	1
19	7703886	SHAFT, WORM	1
18	7703893	WHEEL-WORM GEAR	1
17	1907204	SCR 8-32X1/2 SEMS HX WSHD	10
16	1907203	SCR 8-32X3/4 SEMS HX WSHD	4
15	7703913	BUSHING TL CLOSER	2
14	7703845	BASE, RIGHT	1
13	7703844	BASE, LEFT	1
12	7703506	WORM GEAR METAL TL CLOSER	1
11	7703839	BEARING, CAM SHAFT	2
10	7703840	CAM	2
9	7703507	WORM METAL TL CLOSER	1
8	7703897	SPROCKET, CLOSER	1
7	7703841	BRACE	1
6	7703843	SHAFT, CAM	1
5	7703819	ADJUSTABLE CLAMP	1
4	7703914	DRIVE CLAMP	1
3	7703891	SIDE FRAME RIGHT	1
2	7703890	SIDE FRAME LEFT	1
1	7703889	MAIN SHAFT	1

ITEM	PART NO.	DESCRIPTION	QTY
------	----------	-------------	-----



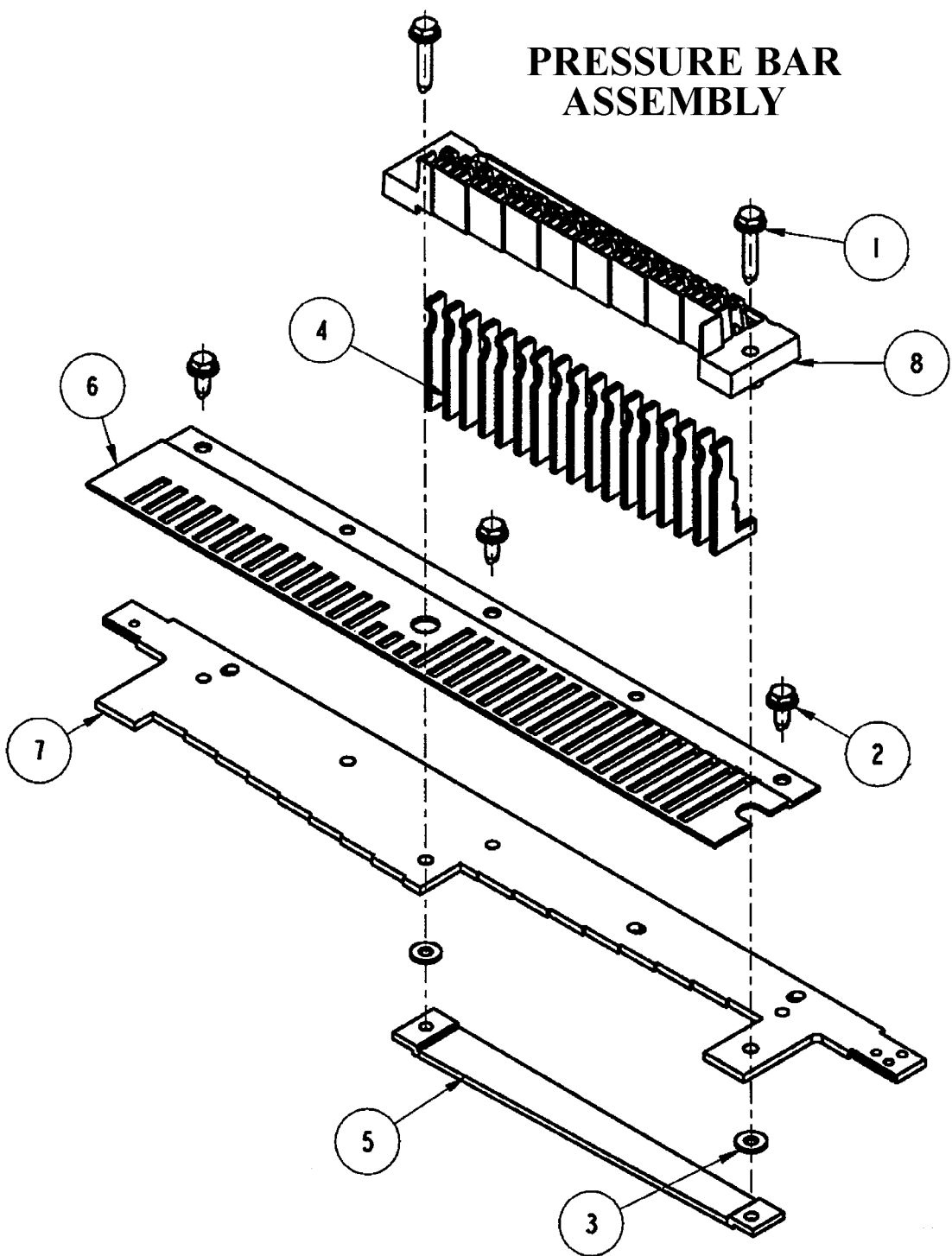
34	7706114	P.C.B. ASSY. 115V	1
33	7706065	BRACKET, STOP	1
32	7703943	POWER BRACKET ASM.	1
31	7703937	PRESSURE BAR ASM.	1
30	7703905	SHAFT, DRIVE	1
29	7703877	DRIVE SHAFT ASM.	1
28	7703873	DIE SET ASM. WIRE	1
27	7703869	COLLAR, HANDEL	1
26	7703676	MOTOR ASM-115 V	1
25	7703666	PUNCH BRACKET ASM.	1
24	7703665	REVERSE BRACKET ASM.	1
23	7703631	DRIVE GEAR 35T	1
22	7703548	BEARING	3
21	7703547	ECCENTRIC	2
20	7703544	CONNECTING LINK	2
19	7703542	BASE, PUNCH	1
18	7703541	BEARING CAP	2
17	7703540	SLIDE	2
16	7301217	CAM, RELEASE	1
15	6205042	CAPACITOR BRACKET, 50mm	1
14	6205040	CAPACITOR, MOTOR 40mf	1
13	1951003	P.C.B. SUPPORT	4
12	1935210	SPRING COMP .600 OD X .88 LG	2
11	1932123	WIRE TIE	4
10	1930554	E-CLIP	4
9	1930251	HAIR PIN CLIP	2
8	1925044	WASHER FLAT .625 OD X .062 THK	2
7	1924811	SPACER .375 OD X 1.0 LG	2
6	1907411	SCR 10-32x2 1/4 SEMS HX WSH HD MACH	5
5	1907107	SCR 10-32x1/2 SEMS HX WSH HD TAP	2
4	1907105	SCR 10-32x1/2 SEMS HX WSH HD TAP	9
3	1907103	SCR 10-32x1 SEMS HX WSH HD TAP	8
2	1907102	SCR 10-32 X 11/16 HX WSH HD TAP	4
1	1900026	SCR 10-32 X 3/8 SOC HEX SET	1
ITEM	PART NO.	DESCRIPTION	QTY.

PUNCH BRACKET ASSEMBLY



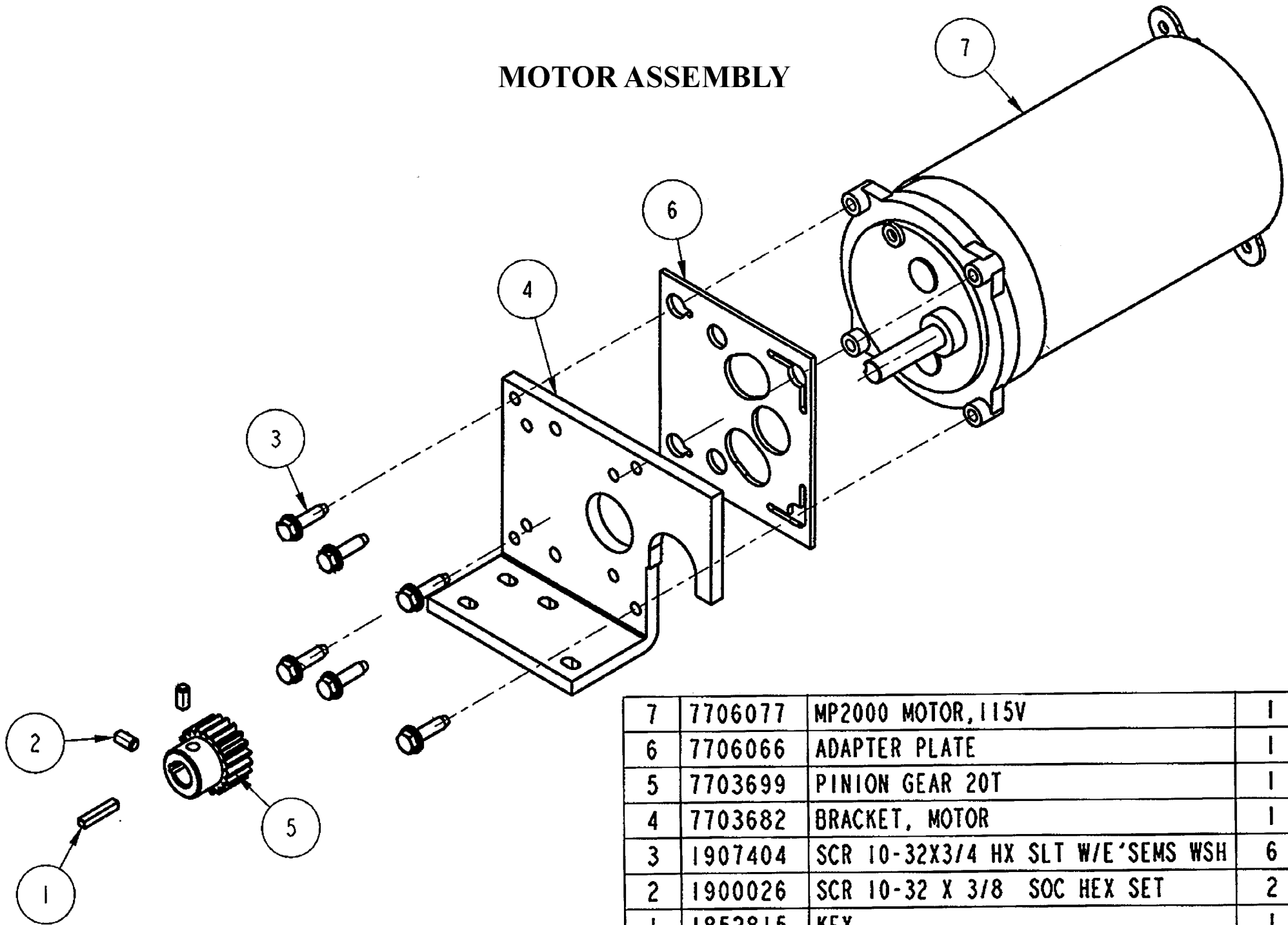
6	7703640	MICRO SWITCH	2
5	7703606	BRACKET, PUNCHSWITCH	1
4	1925041	WASHER, .14 ID .39 OD .125 THK	2
3	1902840	SCR 4-40 X 3/4 PAN HD	2
2	1902834	SCR 4-40 X 5/8 PAN HD	2
1	1118972	RELEASE SWITCH SPACER	1
ITEM	PART NO.	DESCRIPTION	QTY.

PRESSURE BAR ASSEMBLY



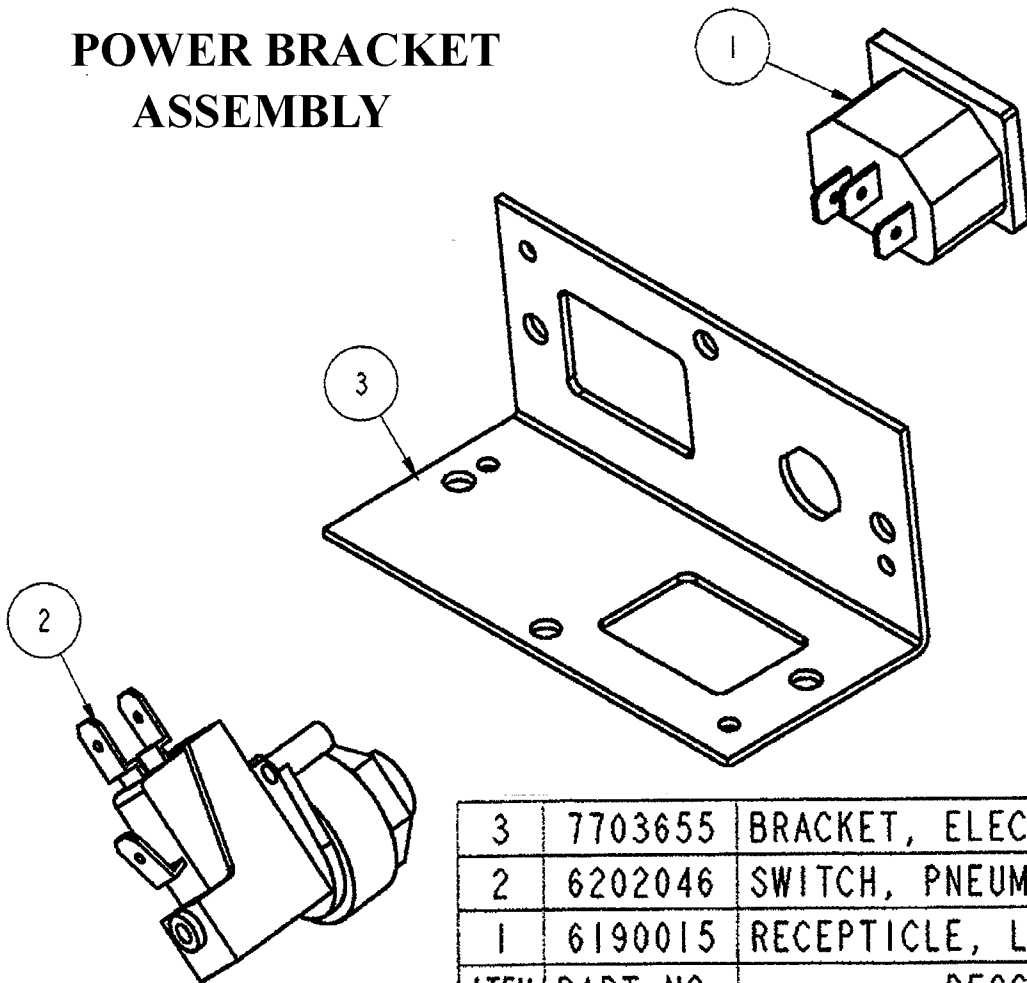
8	7703939	PIN GUIDE-WIRE	1
7	7703938	PRESSURE BAR	1
6	7703849	STRIPPER	1
5	7703690	STOP PLATE	1
4	7703689	SELECTOR PIN	17
3	1925004	WASHER, 3/16 ID X .049 W	2
2	1907105	10-32x1/2 SEMS HX WSH HD TAP SCR	3
1	1907103	10-32x1 SEMS HX WSH HD TAP SCR	2
ITEM	PART NO.	DESCRIPTION	QTY.

MOTOR ASSEMBLY



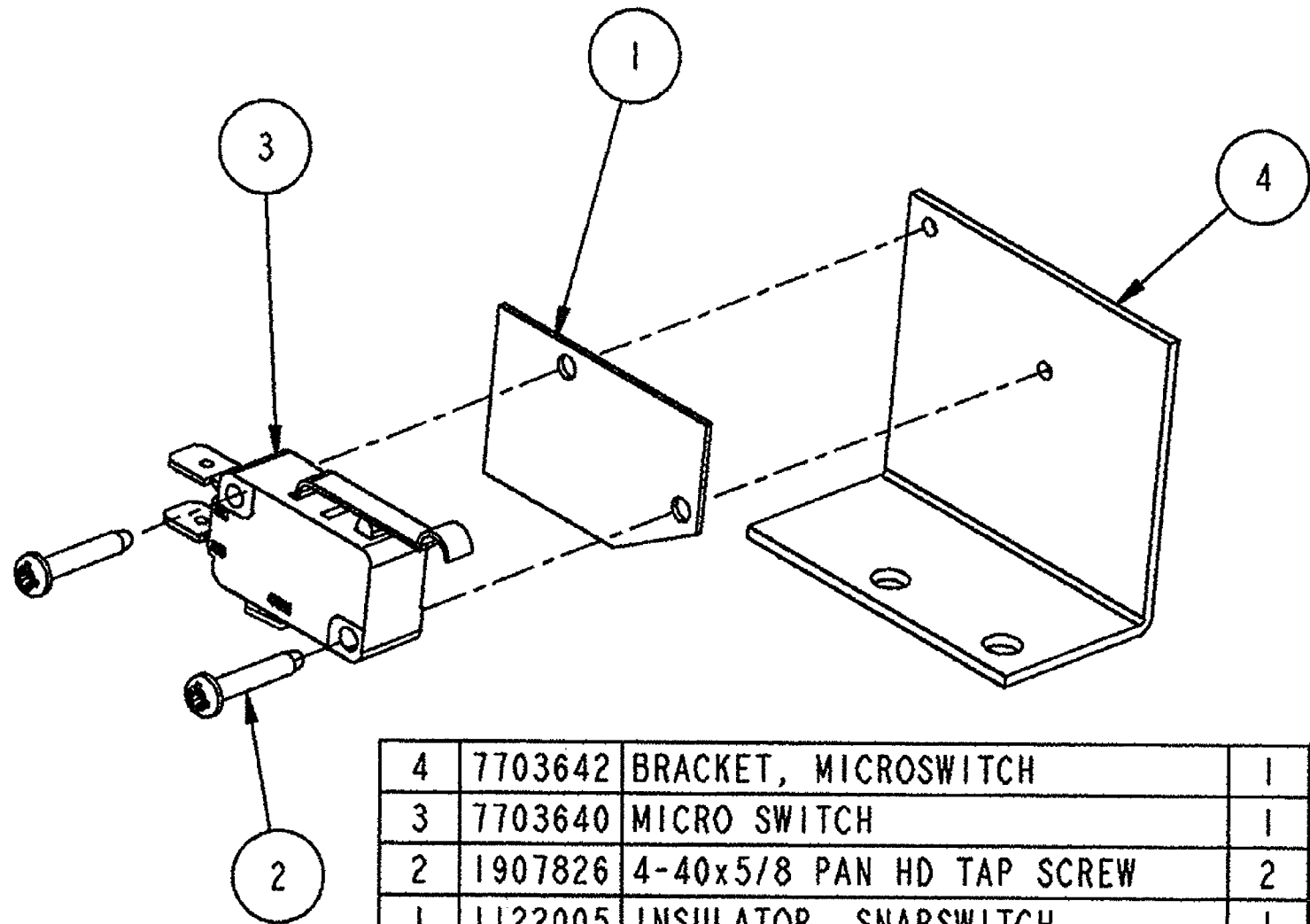
7	7706077	MP2000 MOTOR, 115V	1
6	7706066	ADAPTER PLATE	1
5	7703699	PINION GEAR 20T	1
4	7703682	BRACKET, MOTOR	1
3	1907404	SCR 10-32X3/4 HX SLT W/E'SEMS WSH	6
2	1900026	SCR 10-32 X 3/8 SOC HEX SET	2
1	1852815	KEY	1
ITEM	PART NO.	DESCRIPTION	QTY.

POWER BRACKET ASSEMBLY

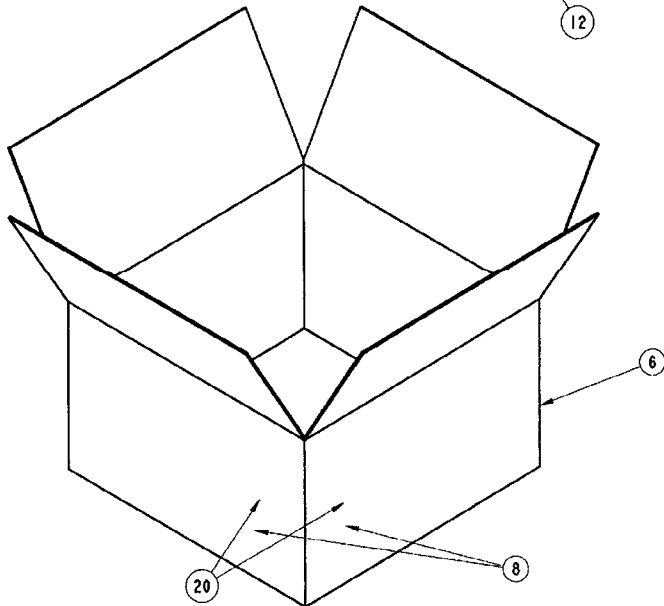
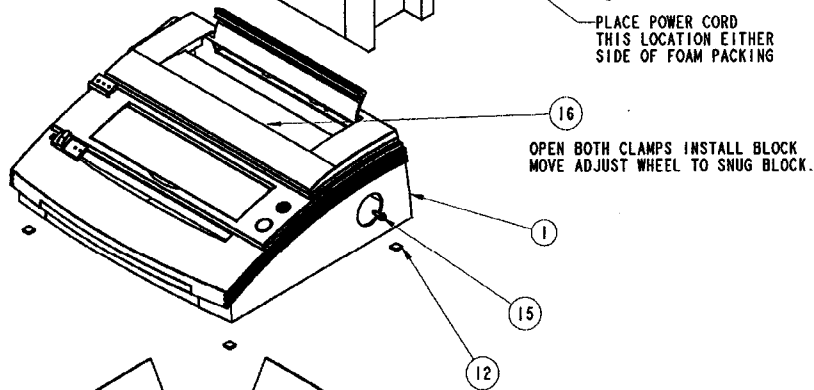
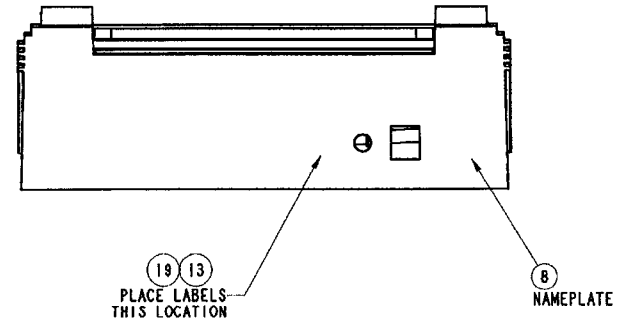
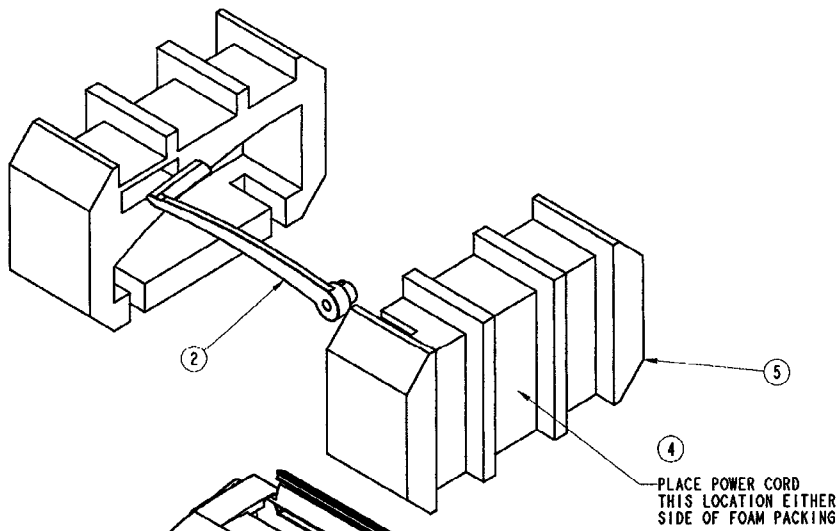


3	7703655	BRACKET, ELECTRICAL PANEL	1
2	6202046	SWITCH, PNEUMATIC	1
1	6190015	RECEPTICLE, LINE CORD	1
ITEM	PART NO.	DESCRIPTION	QTY.

REVERSE BRACKET ASSEMBLY



4	7703642	BRACKET, MICROSWITCH	1
3	7703640	MICRO SWITCH	1
2	1907826	4-40x5/8 PAN HD TAP SCREW	2
1	1122005	INSULATOR, SNAPSWITCH	1
ITEM	PART NO.	DESCRIPTION	QTY.



BOX LABEL

21	6190011	FOOT PEDAL (NOT SHOWN)	1
20	6009242	LABEL-NRTL/C SHIPPING	1
19	6009078	LABEL-CSA NRTL/C	1
18	1107516	POLY BAG 9X12.5X.002	1
17	7703505	HANDLE INSTAL. INSTRUCTIONS	1
16	7703806	SHIPPING BLOCK	1
15.	1907404	SCR 10-32X3/4 HHS	1
14.	1155022	WARRANTY CRDS. 90DAY	1
13.	6009146	LABEL SHOCK DOM	1
12.	7703552	FOOT	4
11.			
10.	6006052	DESICCANT BAG	1
9.	7703946	OPERATING INSTRUCTIONS	1
8.	1155000	MAST. LISTING NAMEPLATE	1
7.	1963141	S8 TAPE 2" X 3000' PK	5
6.	7703679	CARTON P400	1
5.	7703580	FOAM END CAP NOPASET	1
4.	6200001	POWER CORD DOMESTIC	1
3.	7703881	PAPER SUPPORT	1
2.	7703535	HANDLE PUNCH	1
1.	7703941	FIN. ASSY. TL400D DOM.	1
ITEM NO.	PART NO.	DESCRIPTION	QTY.