

WireBind W400 USA



**Ersatzteilkatalog**  
**Spare parts catalogue**  
**Catalogue des pièces détachées**  
**Catálogo de peças**

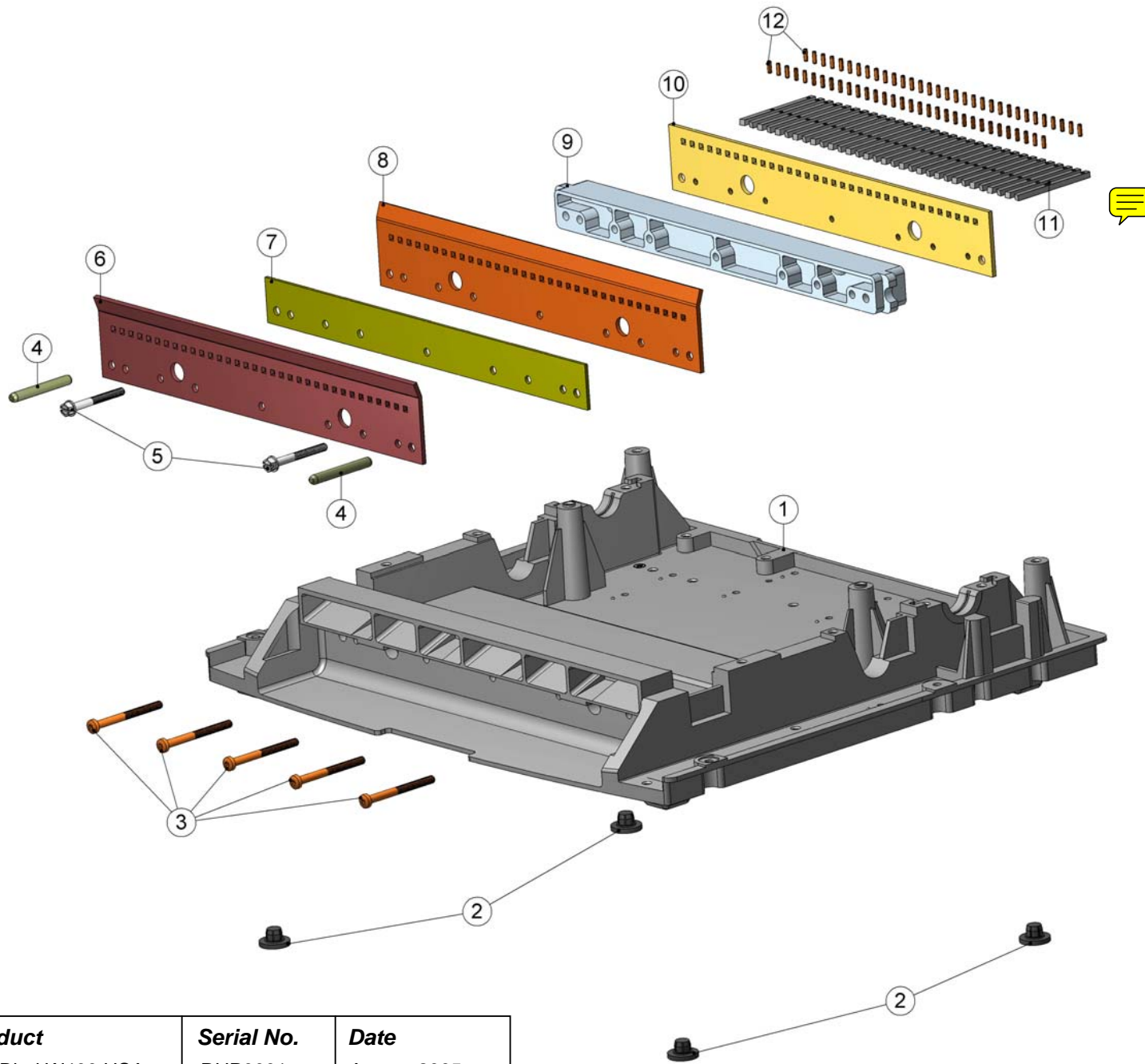
<b>Edition</b>	<b>Serial No.</b>	<b>Date</b>	<b>Name</b>
1	RHP0001-	August 2005	GBC Portuguesa



	<i>Version</i>	<i>Product No.</i>
	WireBind W400 USA	7703800

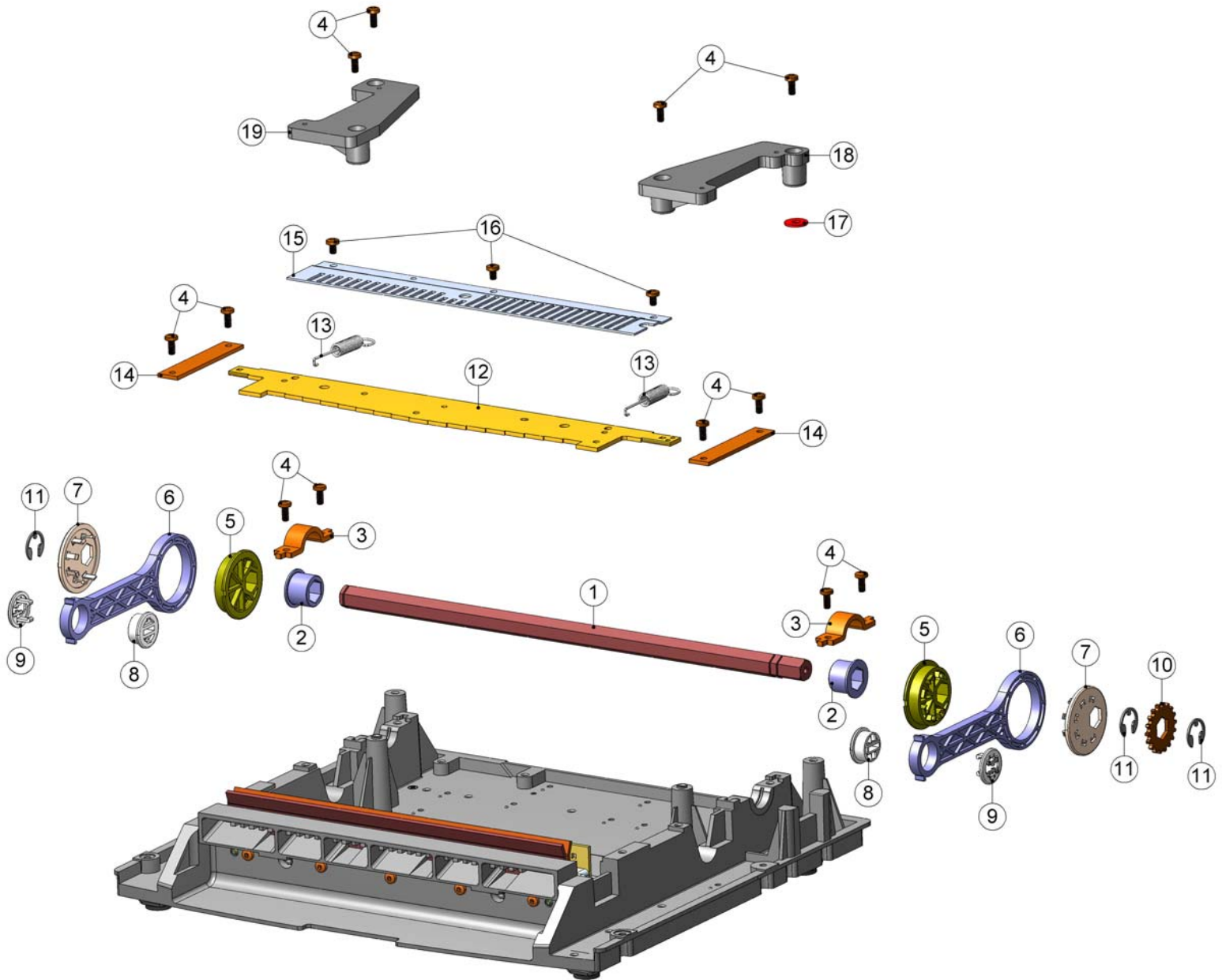


Product	Serial No.	Date	Page / of
WireBind W400 USA	RHP0001-	August 2005	3 / 13



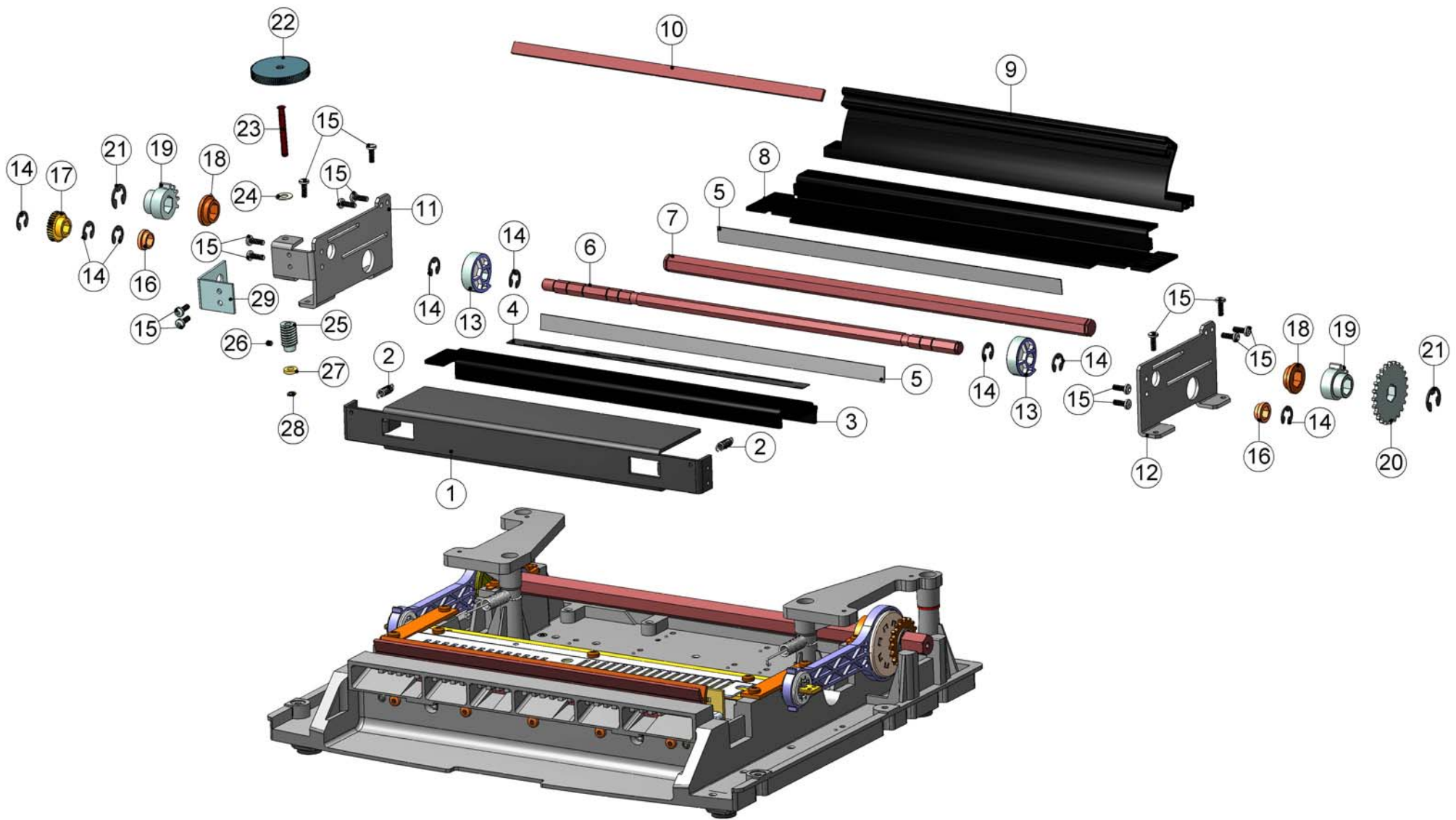
<i>Page/of</i>	<i>Product</i>	<i>Serial No.</i>	<i>Date</i>
4 / 13	WireBind W400 USA	RHP0001-	August 2005

<b>Pos.</b>	<b>New Part No.</b>	<b>Old Part No.</b>	<b>Notes</b>	<b>Pre-Assemble Set</b>	<b>Description</b>
1	2-8000.20	7703542	----	----	Base, punch - machined
2	2-4507	----	----	----	Foot
3	9-9175.10	1907411	DIN 7985	----	Scr 10-32x2 1/4 Sems HX washer Hd TAP
4	9-9660	1954103	----	1-8201.90	Dowel pin 1/4x2.00
5	9-9199	1907410	----	1-8201.90	Scr 10-32x1 Sems HX HD M
6	----	7703832	----	1-8201.90	Die plate
7	----	7703553	----	1-8201.90	Lower spacer, manual model
8	----	7703834	----	1-8201.90	Dier plate
9	----	7703534	----	1-8201.90	Spacer, upper
10	----	7703833	----	1-8201.90	Dier plate
11	----	7703837	----	1-8201.90	Square punch, wire
12	----	1931508	DIN 7985	1-8201.90	Pin-spirol



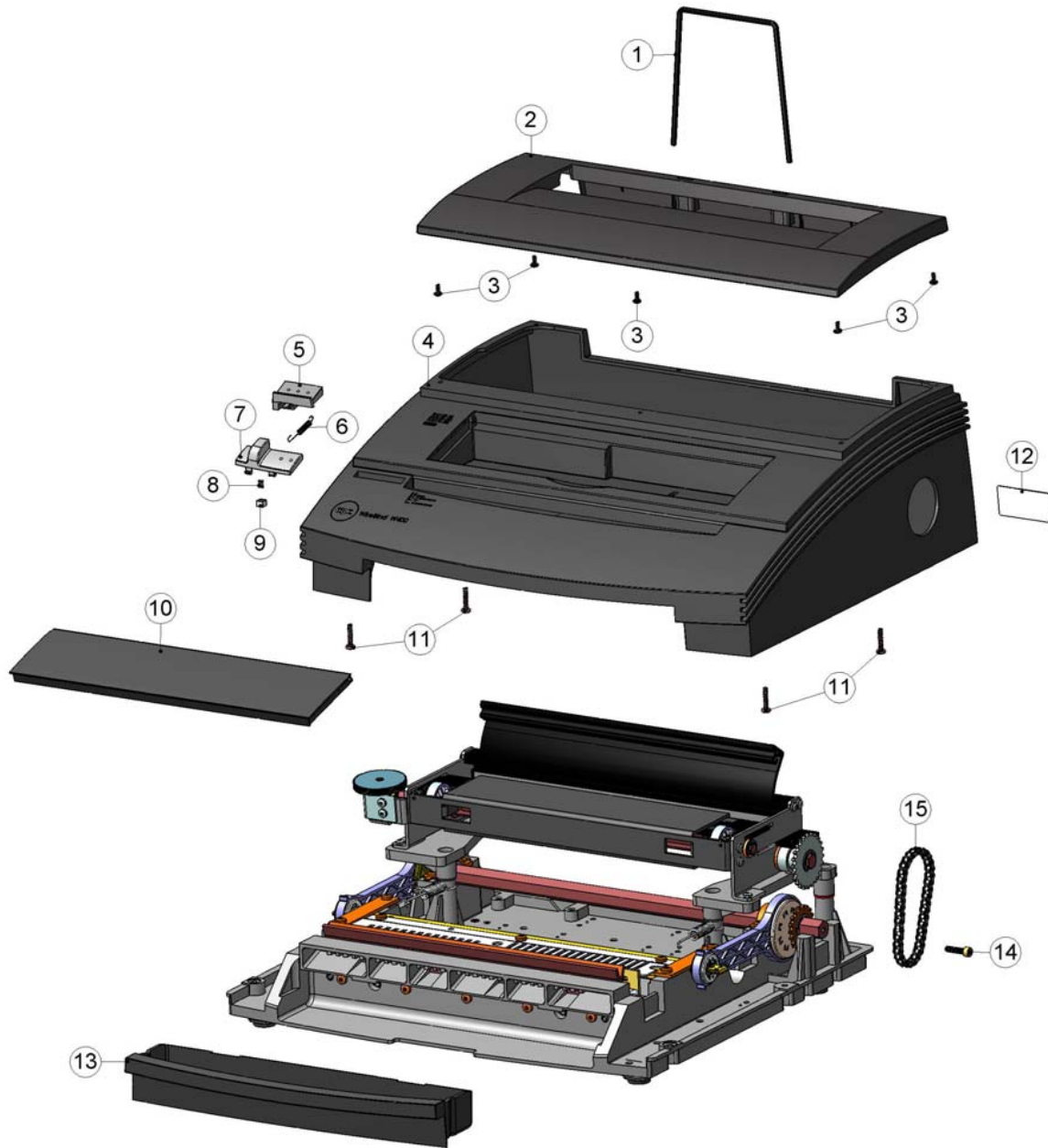
<b>Page/of</b>	<b>Product</b>	<b>Serial No.</b>	<b>Date</b>
6 / 13	WireBind W400 USA	RHP0001-	August 2005

<i>Pos.</i>	<i>New Part No.</i>	<i>Old Part No.</i>	<i>Notes</i>	<i>Pre-Assemble Set</i>	<i>Description</i>
1	2-8003	----	----	----	Shaft
2	2-8005	----	----	----	Bearing
3	2-8004	----	----	----	Bearing cap
4	9-9046	----	DIN 7500C / M5x12	----	Self drilling torx screw
5	2-8007	7703547	----	1-8004.90	Eccentric
6	2-8006	7703544	----	1-8004.90	Connecting link
7	2-8191	----	----	1-8004.90	Eccentric cap
8	2-8190	----	----	1-8004.90	Press beam bushing
9	2-8192	----	----	1-8004.90	Bushing cap
10	2-8201	7703831	----	----	Sprocket low
11	9-9511	1930554	DIN 6799 / A12	----	E-clip
12	2-8208	7703838	----	----	Pressure bar
13	2-8018	7703533	----	----	Spring handle
14	2-8016	----	----	----	Slide
15	2-8209	7703849	----	----	Stripper
16	9-9054	----	DIN 7500C / M5x8	----	Self drilling torx screw
17	9-9303	----	DIN 9021 A / M6	----	Washer
18	2-8236	7703845	----	----	Base, right
19	2-8237	7703844	----	----	Base, left



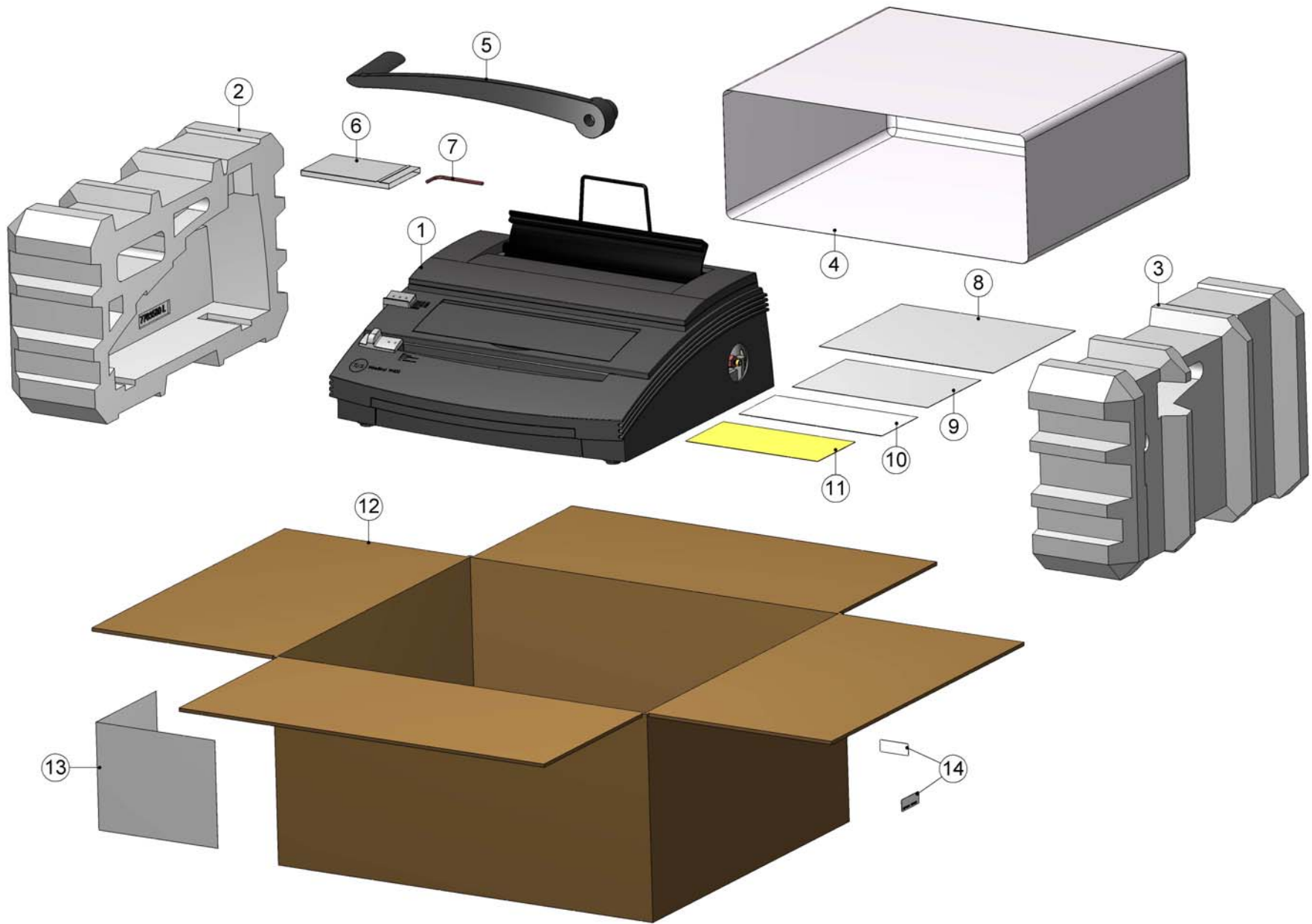
<i>Page/of</i>	<i>Product</i>	<i>Serial No.</i>	<i>Date</i>
8 / 13	WireBind W400 USA	RHP0001-	August 2005

<b>Pos.</b>	<b>New Part No.</b>	<b>Old Part No.</b>	<b>Notes</b>	<b>Pre-Assemble Set</b>	<b>Description</b>
1	2-8230	7703841	----	----	Brace
2	2-8238	1935309	----	----	Spring
3	2-8225	7703819	----	----	Adjustable clamp
4	2-8226	7703824	----	----	Label, closer adjust
5	7-7995	7703826	----	----	Rubber strip
6	2-8227	7703843	----	----	Shaft, cam
7	2-8220	7703889	----	----	Main shaft, closer assy
8	2-8221	7703914	----	----	Drive clamp
9	2-8231	7703887	----	----	Wire holder
10	7-7994	7703828	----	----	Magnet
11	2-8224	7703890	----	----	Side frame left-zinc
12	2-8223	7703891	----	----	Side frame right-zinc
13	2-8228	7703840	----	----	Cam
14	9-9534	1930516	DIN 6799 / A8	----	E-clip
15	9-9059	----	DIN 7500 C / M4x12	----	Self Drilling Torx Screw
16	2-8229	7703839	----	----	Bearing, cam shaft
17	2-8239	7703506	----	----	Worm gear metal TL closer
18	2-8233	7703891	----	----	Bushing TL closer
19	2-8234	7703915	----	----	Drive gear
20	2-8235	7703897	----	----	Sprocket closer
21	9-9535	1930522	DIN 6799 / A10	----	E-clip
22	2-8242.54	7703893	----	1-8242.90	Wheel - worm gear, painted
23	2-8243	7703886	----	1-8242.90	Shaft, worm
24	9-9345	1925214	----	----	Washer
25	2-8241	7703507	----	----	Worm metal TL closer
26	9-9095	----	DIN 913 / M4x4	----	Hex.sock.set sc.w.c.point
27	2-8240	7703842	----	----	Washer, worm
28	9-9517	----	DIN 471 / A5	----	Retaining Ring
29	2-8244	7703829	----	----	Bracket, gear support



<b>Page/of</b>	<b>Product</b>	<b>Serial No.</b>	<b>Date</b>
14 / 13	WireBind W400 USA	RHP0001-	August 2005

<b>Pos.</b>	<b>New Part No.</b>	<b>Old Part No.</b>	<b>Notes</b>	<b>Pre-Assemble Set</b>	<b>Description</b>
1	2-8200	7703881	----	----	Paper support
2	2-8273	----	----	----	Bezel, black
3	9-9174	----	KA 35x7.5	----	Pan head eco-syn screw
4	2-8269.70	----	----	----	Housing, black W400 - printed
5	2-8079	7703573	----	----	Binder sizer, grey
6	2-8082	7703575	----	----	Spring, binder sizer
7	2-8077	7703574	----	----	Edge guide, grey
8	2-8083	7703577	----	----	Spring, edge guide
9	2-8084	7703578	----	----	Slide, edge guide
10	2-8111	----	----	----	Door, pull pins, black
11	9-9147	----	KA 40x20	----	Self Drilling Torx Sc.
12	2-8282	----	----	----	Type label WireBind W400
13	2-8112	----	----	----	Chip tray, black
14	9-9011	----	DIN 912 8.8 / M5x20	----	Hex. socket h. cap screw
15	1-8285	7703876	----	----	Chain



<b>Page/of</b>	<b>Product</b>	<b>Serial No.</b>	<b>Date</b>
12 / 13	WireBind W400 USA	RHP0001-	August 2005

<b>Pos.</b>	<b>New Part No.</b>	<b>Old Part No.</b>	<b>Notes</b>	<b>Pre-Assemble Set</b>	<b>Description</b>
1	7703800	7703800	----	----	WireBind W400 USA
2	8-8360	----	----	----	Foam end cap ( left )
3	8-8360	----	----	----	Foam end cap ( right )
4	8-8034	----	----	----	Dust bag
5	2-8001.49	7703535	----	----	Handle, punch - painted, black
6	8-8031	----	----	----	Minicrip bag
7	9-9700	----	DIN 911 / SW 4	----	Socket wrench
8	8-8315	7703505	----	----	Handle installation instruction
9	8-8255	----	----	----	Instruct. manual WireBind W400
10	8-5313	----	----	----	Warranty card (USA)
11	8-8155	----	----	----	Packing sheet caution
12	8-8505	7703679	----	----	Carton P400
13	8-8017	----	----	----	Label WireBind W400
14	8-8842	----	----	----	Self adh. Nr WireBind W400