

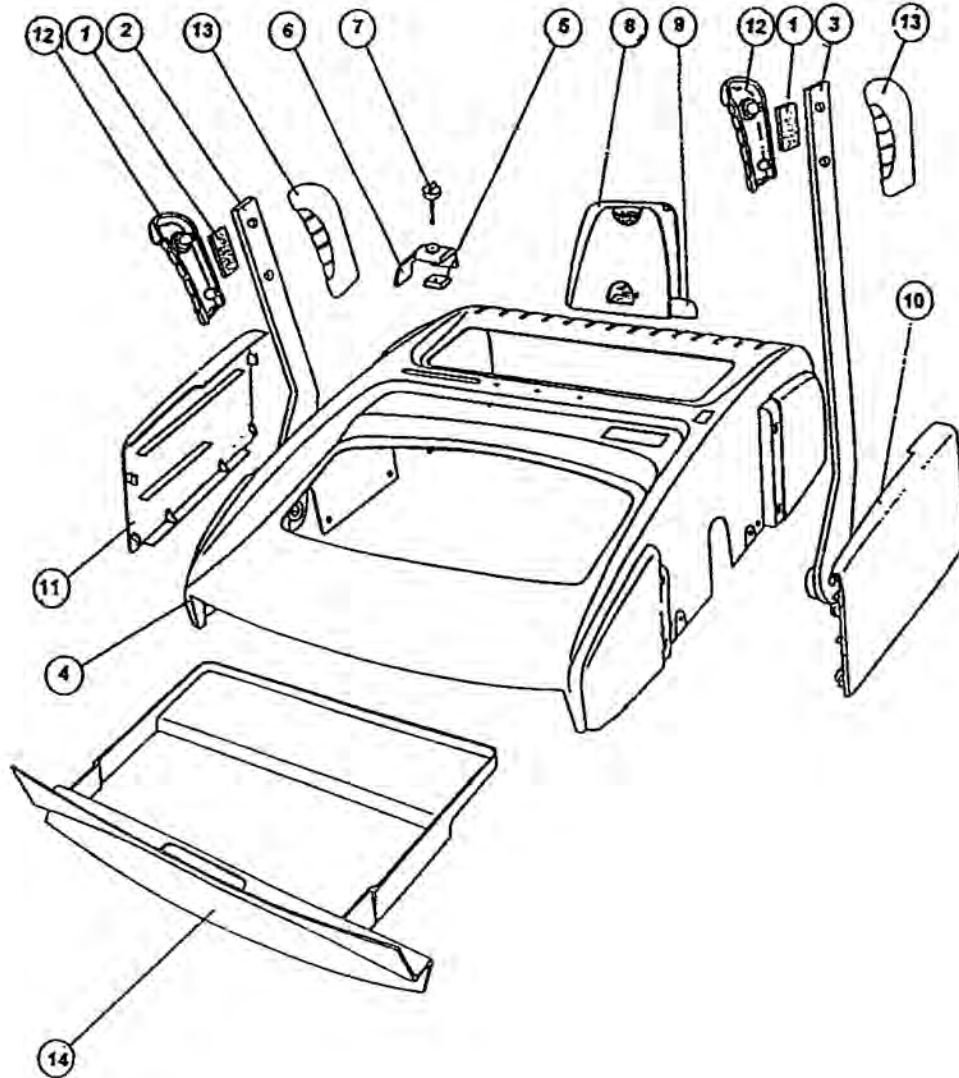


WB 200 Parts List

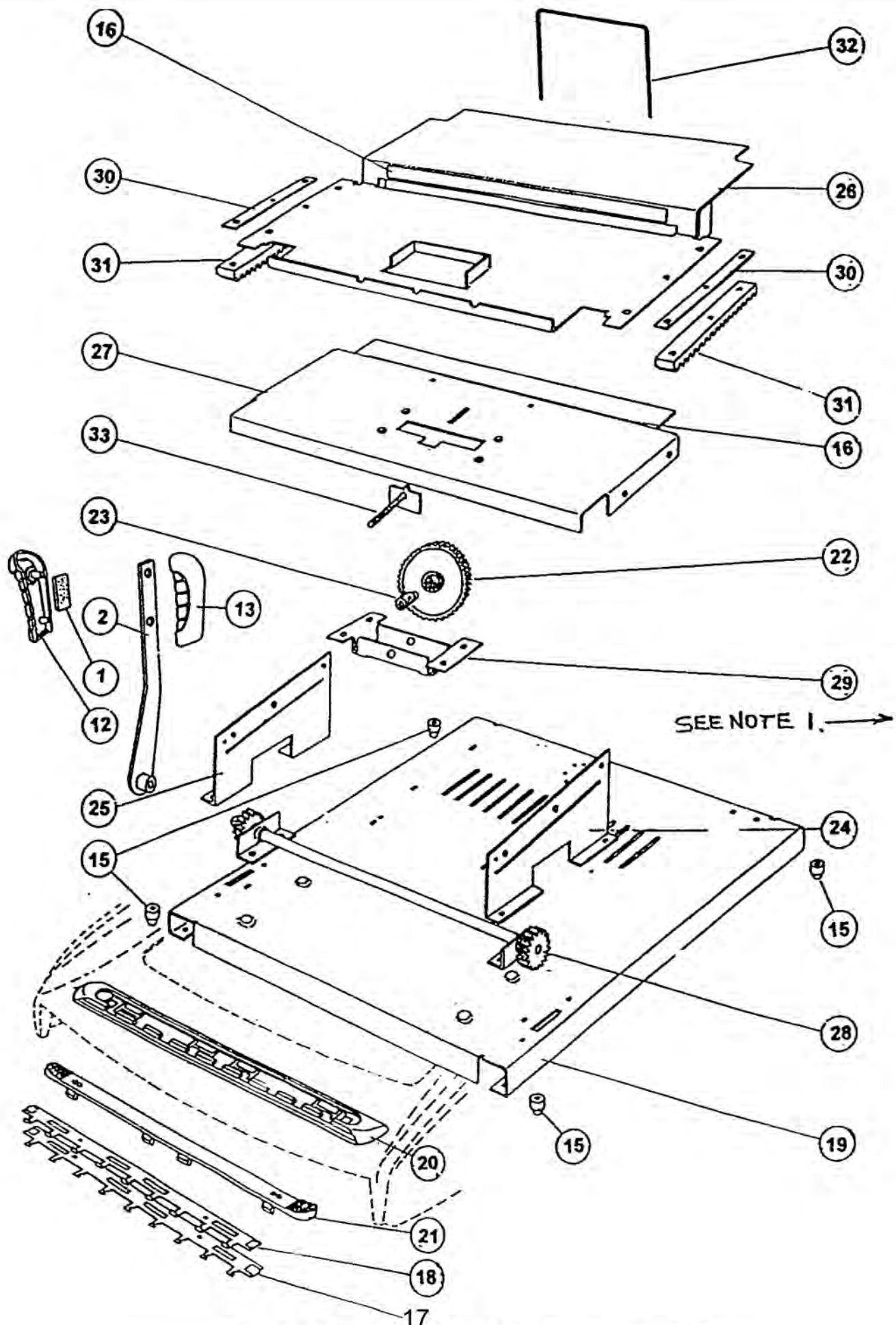


GBC IS AN ACCO BRANDS COMPANY

WB200 Parts List - Figure 8-1



ITEM	GBC Pt. No.	Description	Qty.
1	1730036	RUBBER FOR HANDLE	
2	1730042	BINDING LEVER	1
3	1730046	PUNCHING LEVER	1
4	1730047	PLASTIC COVER	1
5	1730115	MARGIN STOP	1
6	1730116	MARGIN STOP BOLT	1
7	1730117	BUTTON OF MARGIN STOP	1
8	1730048	SHEET SUPPORT	1
9	1730049	FINGER	1
10	1730052	STANDARD RIGHT PLASTIC CHEEK	1
11	1730053	LEFT PLASTIC CHEEK	1
12	1730123	HALF MALE HANDLE	2
13	1730124	HALF FEMALE HANDLE	2
14	1730054	DRAWER	1



WB200 Parts List - Figure 8-2

WB200 Parts List - Figure 8-2

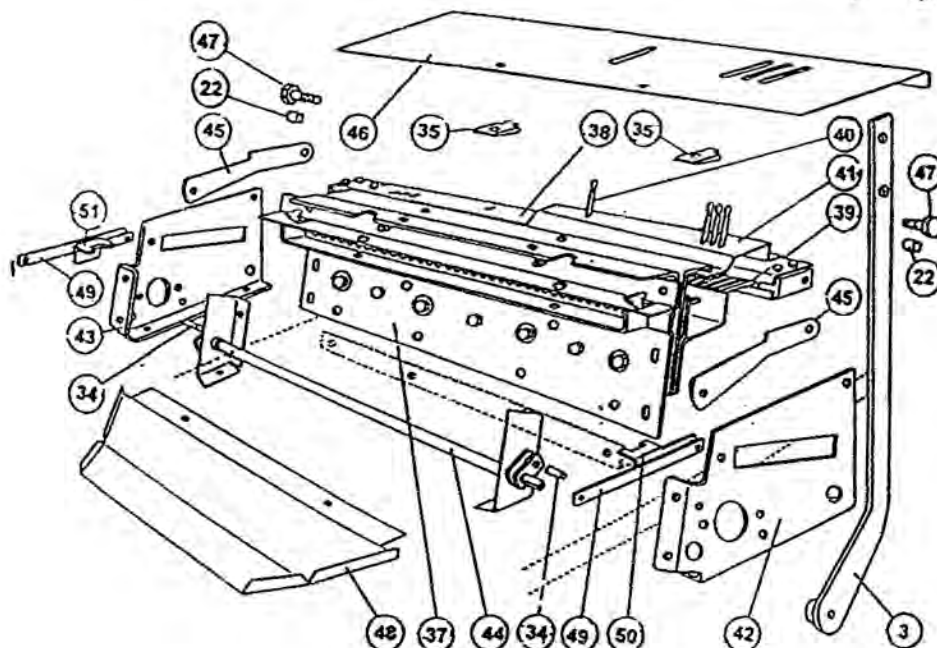
ITEM	GBC Pt. No.	Description	Qty.
1	1730036	RUBBER FOR HANDLE	2
2	1730036	BINDING LEVER	1
12	1730123	HALF MALE HANDLE	2
13	1730124	HALF FEMALE HANDLE	2
15	1730035	RUBBER FOOT	4
16	1730086	NON-SKID STICKER	2
17	1730087	LOWER HOOKS	1
18	1730088	UPPER HOOKS	1
19	1730038	BASE	1
20	1730089	BASE OF HOOKS	1
21	1730092	SLIDER OF HOOKS	1
22	1730093	CLOSING SYSTEM ADJUSTER	1
23	1730094	AXLE	1
24	1730095	RIGHT GUIDE FOR TABLE	1
25	1730096	LEFT GUIDE FOR TABLE	1
26	1730097	MOVING TABLE	1
27	1730098	FIXED CHOPS	1
28	1730099	CLOSING AXLE	1
29	1730102	SUPPORT OF CLOSING SYSTEM ADJUSTER	1
30	1730103	SPACER OF RACK	2
31	1730114	RACK	2
32	1730118	HOOP	1
33	1730119	SCREW OF CLOSING SYSTEM ADJUSTER	1

WB 200 Parts List - Figure 8.3

NOTES:

1.- ITEM 36 (PUNCHING SYSTEM)

INCLUDES ITEMS 37,38,39,40,41



ITEM	GBC Pt. No.	Description	Qty.
1	1730036	RUBBER FOR HANDLE	2
3	1730046	BINDING LEVER	1
12	1730123	HALF MALE HANDLE	2
13	1730124	HALF FEMALE HANDLE	2
34	1730037	SHAFT OF CONNECTING-ROD	2
35	1730032	QUICK NUT	2
36	1730104	PUNCHING SYSTEM UNIT ASSY	1
37	1730105	STABBER BLOCK W/O PUSHING SYSTEM	1
38	1730106	PUSHING SYSTEM	1
39	1730107	STABBER	1
40	1730055	DECLUTCHING FLAT BOLT	4
41	1730108	DECLUTCHING FLAT BOLT SUPPORT	1
42	1730043	RIGHT GUIDE	1
43	1730044	LEFT GUIDE	1
44	1730109	ASSEMBLED PUNCHING AXLE	1
45	1730045	CONNECTING-ROD	2
46	1730112	GUARD OF DECLUTCHING FLAT BOLT	1
47	1730033	SCREW H M 10x20 A26,8	2
48	1730113	SLIDE OF CONFETTI	1
49	1730122	STRAP	2
50	1730084	RIGHT STRAP	1
51	1730085	LEFT STRAP	1