

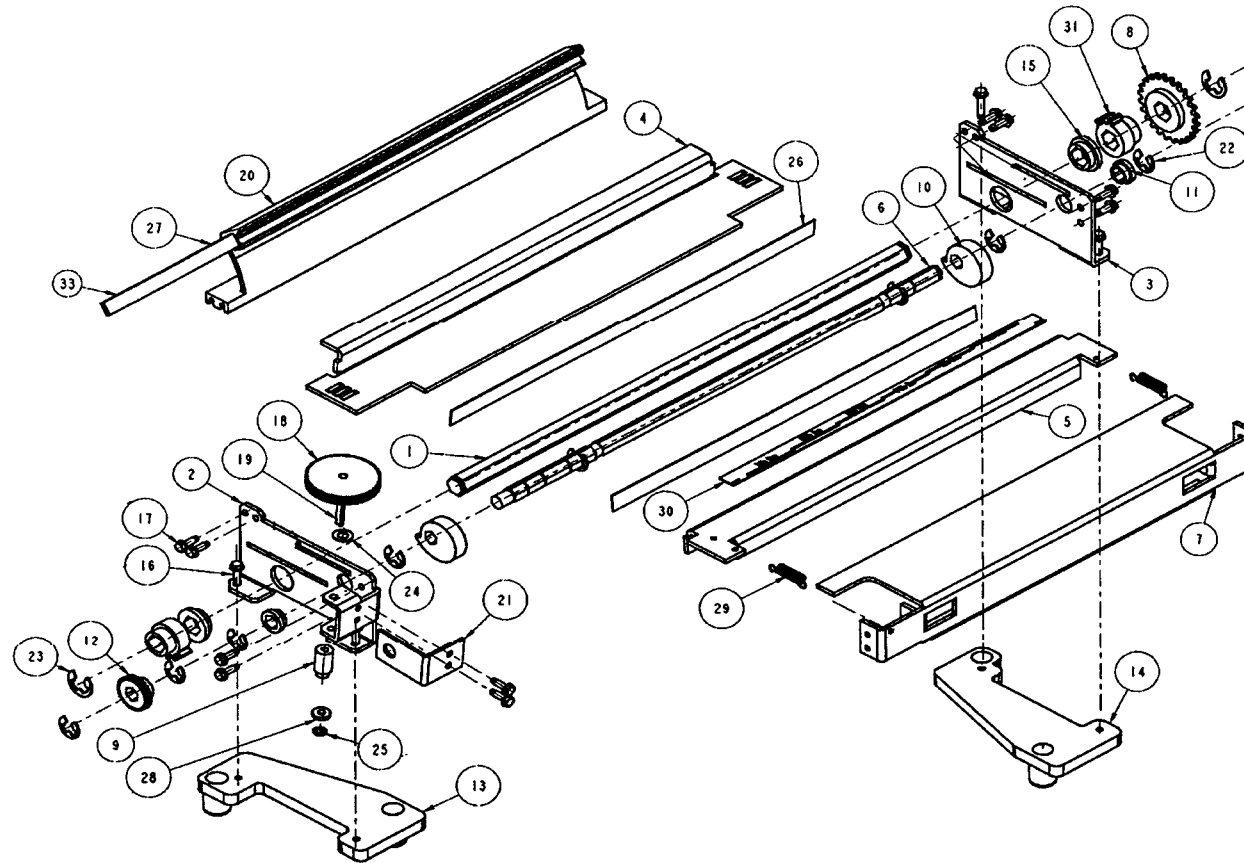


TL 400 Parts List



GBC IS AN ACCO BRANDS COMPANY

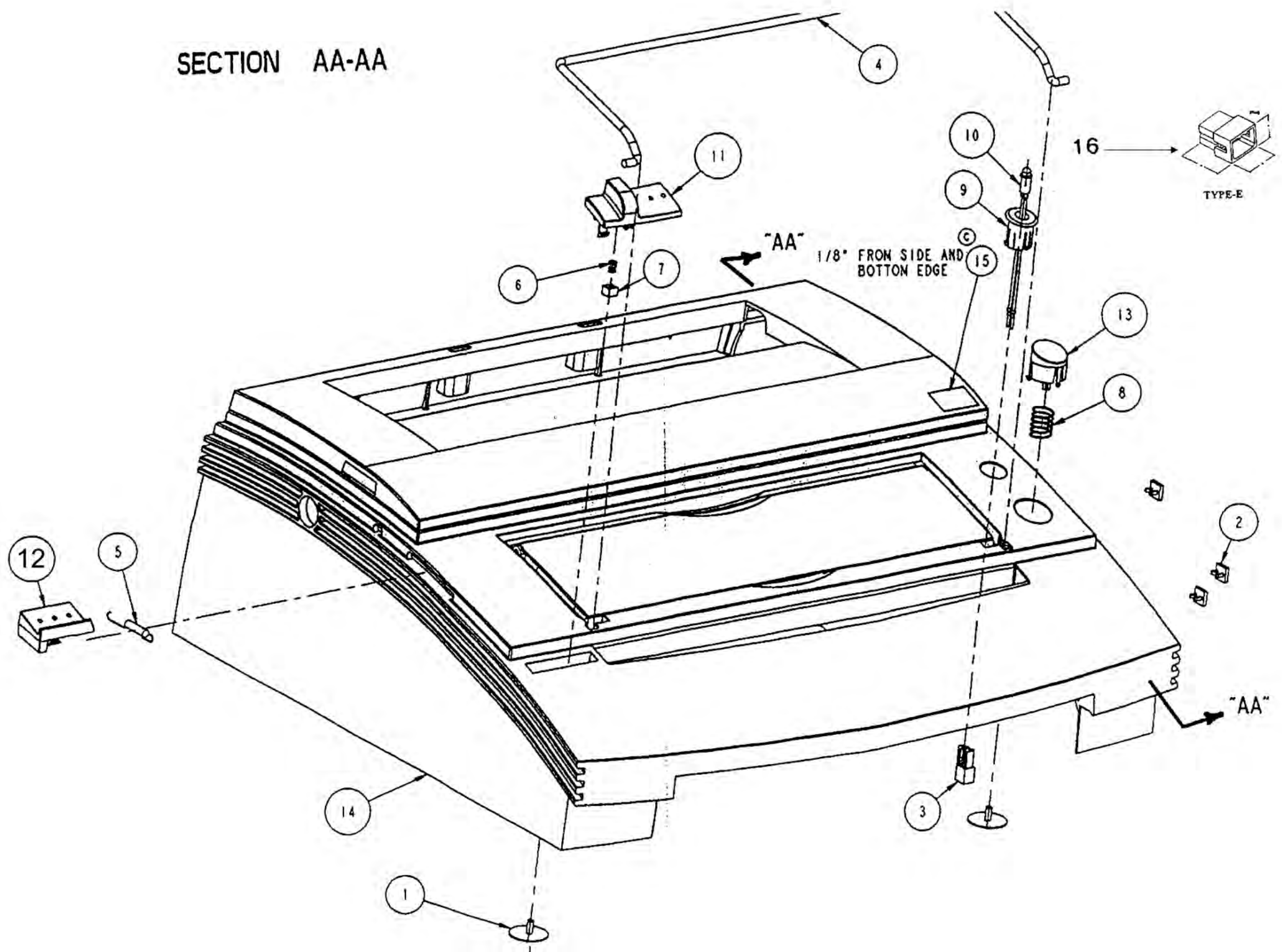
WIRE CRIMPER PARTS LIST



WIRE CRIMPER PARTS LIST

ITEM	PART NO.	DESCRIPTION	QTY
1	7703889	Main Shaft	1
2	7703890	Side Frame Left	1
3	7703891	Side Frame Right	1
4	7703914	Drive Clamp (See N.S.B. 229B)	1
5	7703819	Adjustable Clamp	1
6	7703843	Shaft, Cam	1
7	7703841	Brace	1
8	7703897	Sprocket, Closer	1
9	7703896	Worm	1
10	7703840	Cam	2
11	7703839	Bearing, Cam Shaft	2
12	7703895	Worm Gear	1
13	7703844	Base Left	1
14	7703845	Base Right	1
15	7703913	Bushing TL Closer (See N.S.B.229B)	2
16	1907203	Screw 8-32 x 3/4	4
17	1907204	Screw 8-32 x 1/2	10
18	7703893	Wheel, Worm Gear	1
19	7703886	Shaft, Worm	1
20	7703887	Wire Holder	1
21	7703829	Bracket, Gear Support	1
22	1930516	E-Clip	8
23	1930522	E-Clip	2
24	1925214	Washer	1
25	1932510	E-Clip	1
26	7703826	Rubber Strip	2
27	7703828	Magnet	1
28	7703842	Washer, Worm	1
29	1935309	Spring	2
30	7703824	Label, Closer Adjust	1
31	7703915	Drive Gear (See N.S.B.229B)	2

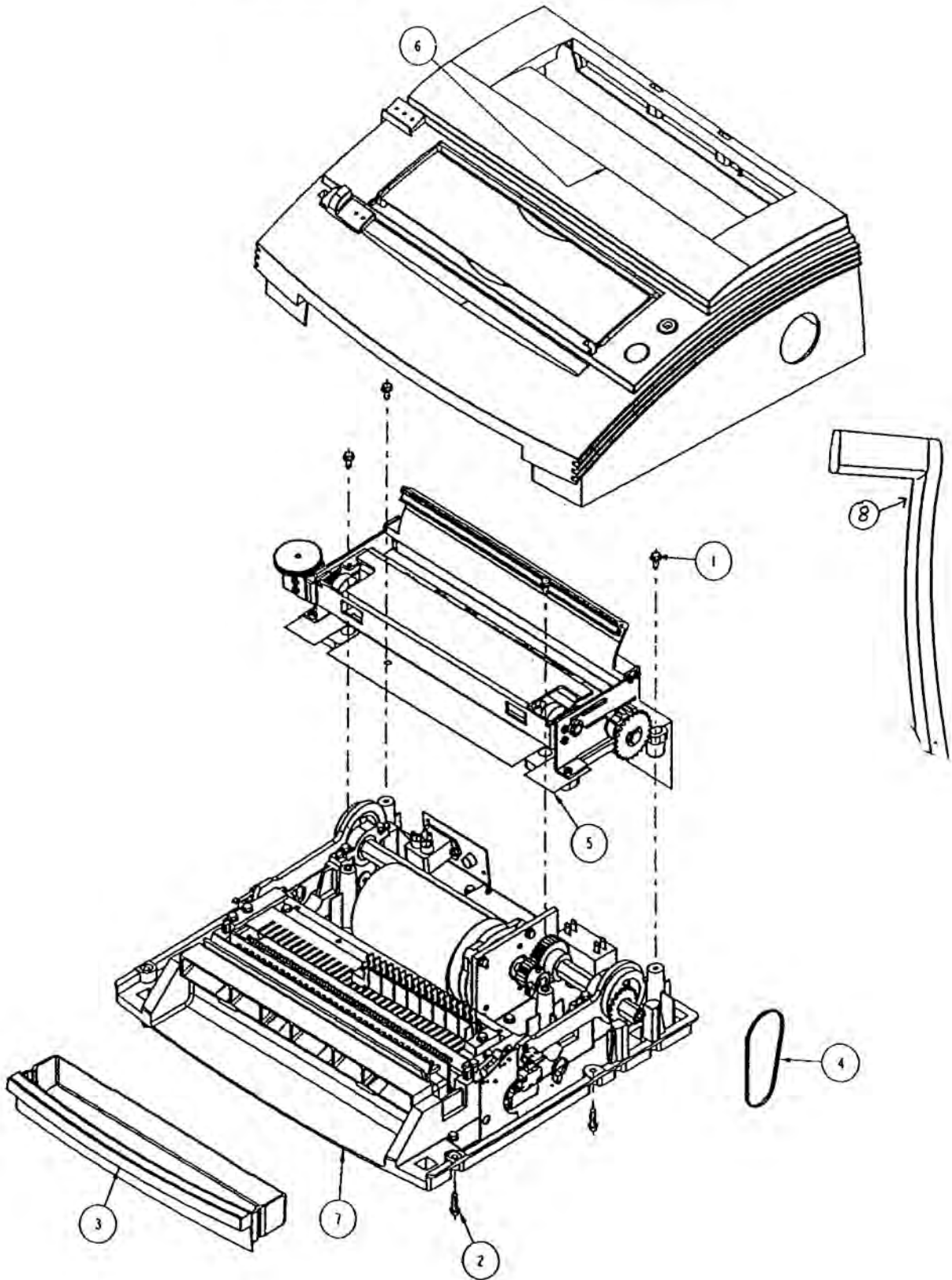
SECTION AA-AA



Wire Pro - 1000 Housing

16	1951308	2 Pin Conn.Plug to Housing	
15	7703656	LABEL-JAM STOPPER	1
14	7703944	HOUSING, FINISHED (Use for 7703903)	1
13	7703707	PUNCH SWITCH BUTTON	1
12	7703706	BINDER SIZER	1
11	7703705	EDGE GUIDE	1
10	7703698	LED ASSEMBLY	1
9	7703697	HOLDER, LED	1
8	7703629	SPRING_PUNCH SWITCH BUTTON	1
7	7703578	SLIDE, EDGE GUIDE	1
6	7703577	SPRING, EDGEGUIDE	1
5	7703575	SPRING, BINDER SIZER	1
4	7703572	PAPER_SUPPORT	1
3	1951308	ELECTRIC CONNECTOR	1
2	1931051	CABLE CLAMP	3
1	1912001	6-32x3/8 HX HD SEMS SCR	2

DocuBind TL400 SPARE PARTS DRAWING #1



DocuBind TL400 - SPARE PARTS LISTING #1

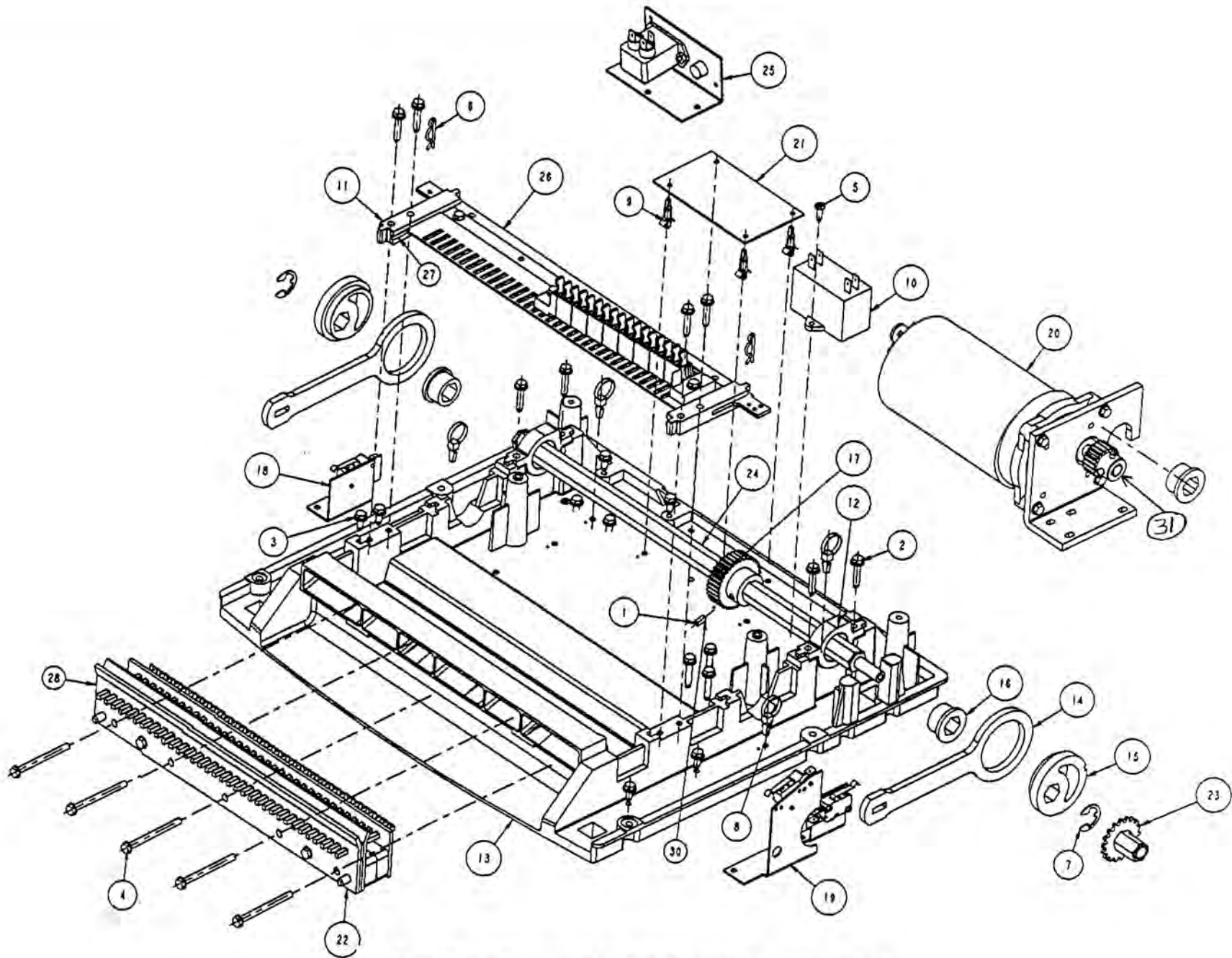
*	7703869	Collar for Handle (Not Shown)	
8	7703535	Handle Punch	
7	7703922	PUNCH ASSEMBLY	1
6	7703903	HOUSING ASSEMBLY	1
**	5	7703880 ASSY-CLOSER-TL300/TL400	1
4	7703876	CHAIN	1
3	7703570	CHIP TRAY	1
2	1911001	10-32 X 3/4 SEMS WSH SKT HD SCR	4
1	1907105	10-32x1/2 SEMS HX WSH HD TAP SCR	4
ITEM	PART NO.	DESCRIPTION	QTY.

Not Shown: 1907404 - Screw for Handle

6202046 - Pneumatic Switch for foot Pedal

6190011 - Foot Pedal

** 7703824 - Closer Adjustment Label



DocuBind TL400 - SPARE PARTS DRAWING #2

DocuBind TL400 - SPARE PARTS LISTING #2

31	7703699	Motor Gear	
30	1960512	LOCTITE	.01
29	7703669	WIRE KIT	1
28	1961502	SPRAY LUBRICANT	.001
27	1961503	LUBRIPLATE NO. 130-AA	.001
26	7703937	PRESSURE BAR ASM.	1
25	7703934	POWER BRKT ASM-INT'L	1
24	7703878	SHAFT	1
23	7703877	DRIVE SHAFT ASM.	1
22	7703823	DIE SET ASM. WIRE	1
21	7706115	P.C.B. ASM. 230V (7706114 PCB 115 V)	1
20	7706078	MOTOR ASM. 230V (7706077 Motor 115 V)	1
19	7703666	PUNCH BRACKET ASM.	1
18	7703665	REVERSE BRACKET ASM.	1
17	7703631	DRIVE GEAR 35T	1
16	7703548	BEARING	3
15	7703547	ECCENTRIC	2
14	7703544	CONNECTING LINK	2
13	7703542	BASE, PUNCH	1
12	7703541	BEARING CAP	2
11	7703540	SLIDE	2
10	6205043	CAPACITOR, 9mf	1
9	1951003	P.C.B. SUPPORT	4
8	1932123	WIRE TIE	4
7	1930554	E-CLIP	2
6	1930251	HAIR PIN CLIP	2
5	1907802	8-32X1/2 PAN HD TAP SCREW	1
4	1907411	10-32x2 1/4 SEMS HX WSH HD MACH SCR	5
3	1907105	10-32x1/2 SEMS HX WSH HD TAP SCR	8
2	1907103	10-32x1 SEMS HX WSH HD TAP SCR	12
1	1900026	SET SCREW	1
ITEM	PART NO.	DESCRIPTION	QTY.