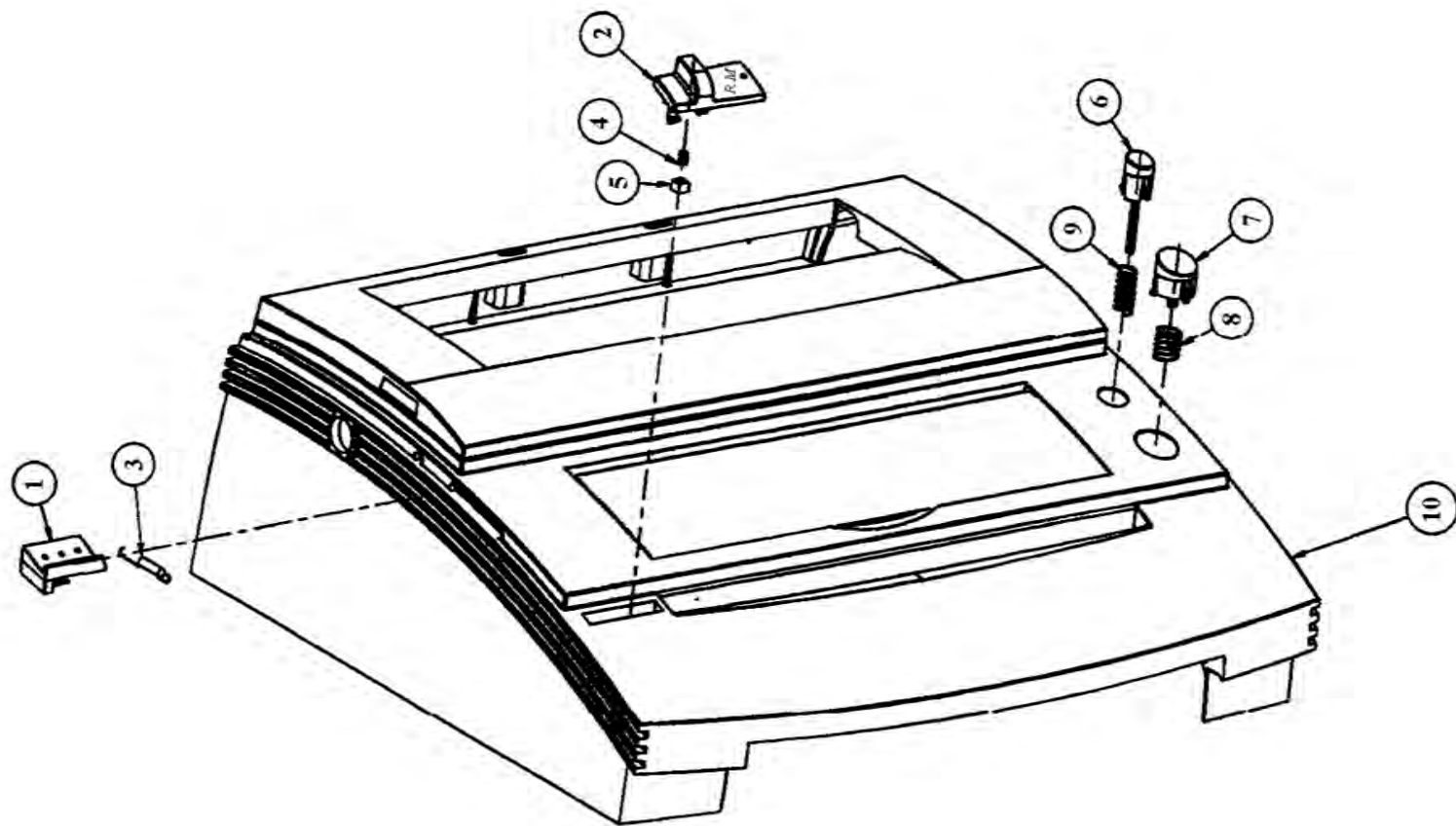




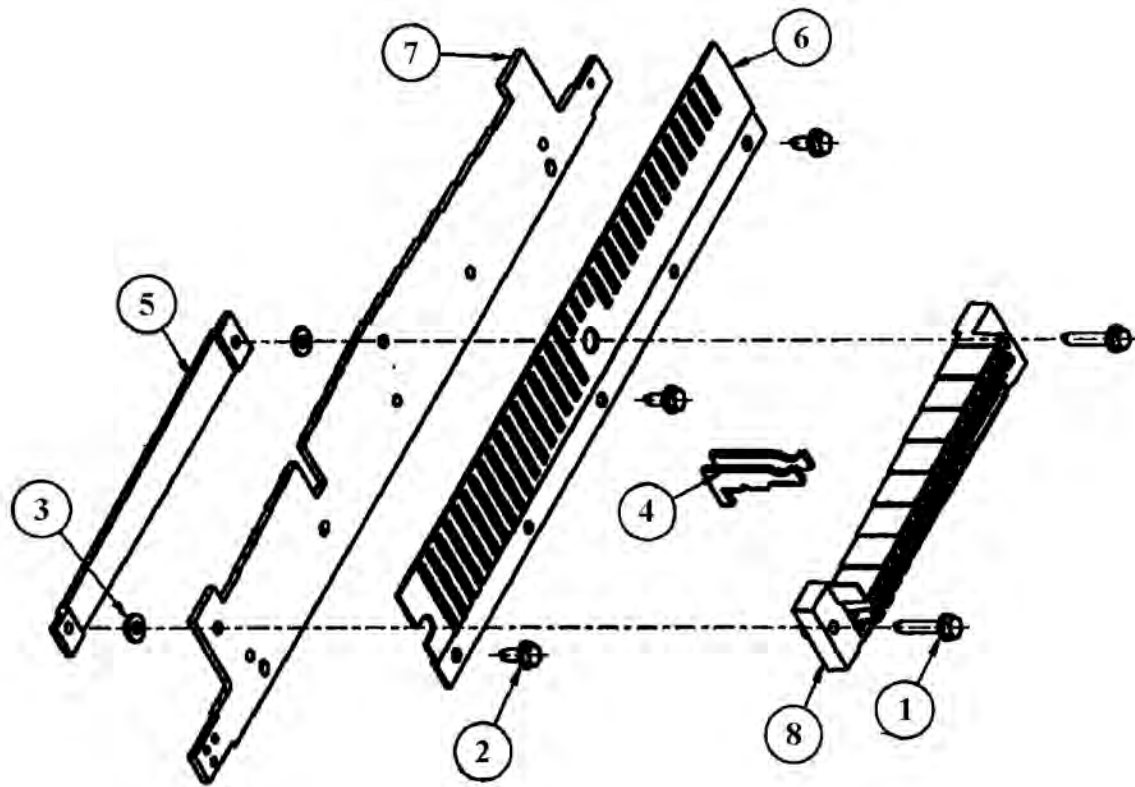
# TL 300 Parts List



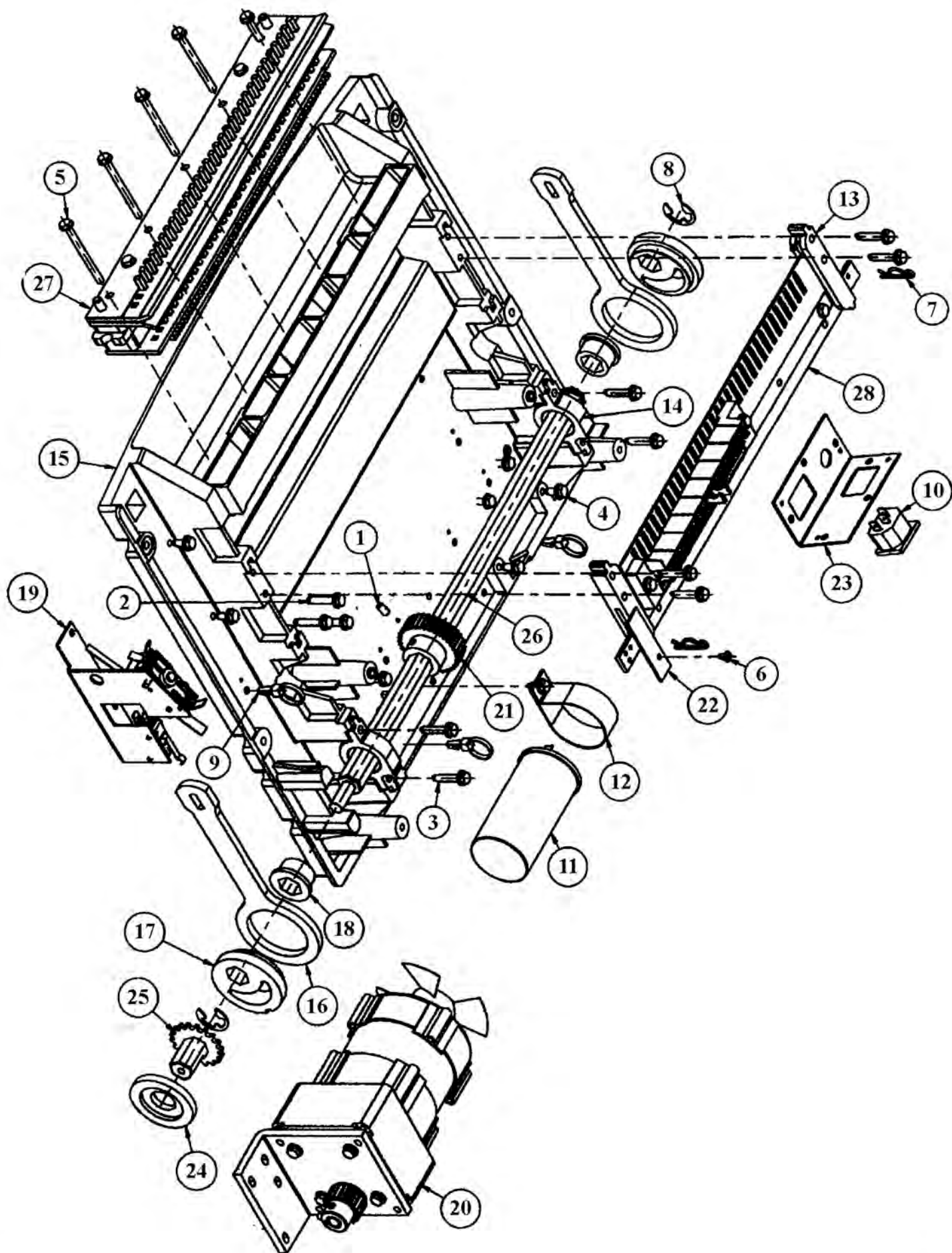
GBC IS AN ACCO BRANDS COMPANY



10	7703875	HOUSING, FINISHED	1
9	7703649	SPRING_REVERSE SWITCH BUTTON	1
8	7703629	SPRING_PUNCH SWITCH BUTTON	1
7	7703628	PUNCH SWITCH BUTTON	1
6	7703617	REVERSE BOTTOM ASSY	1
5	7703578	SLIDE, EDGE GUIDE	1
4	7703577	SPRING, EDGEGUIDE	1
3	7703575	SPRING, BINDER SIZER	1
2	7703574	EDGE GUIDE	1
1	7703573	BINDER SIZER	1
<b>ITEM</b>	<b>PART NO.</b>	<b>DESCRIPTION</b>	<b>QTY.</b>

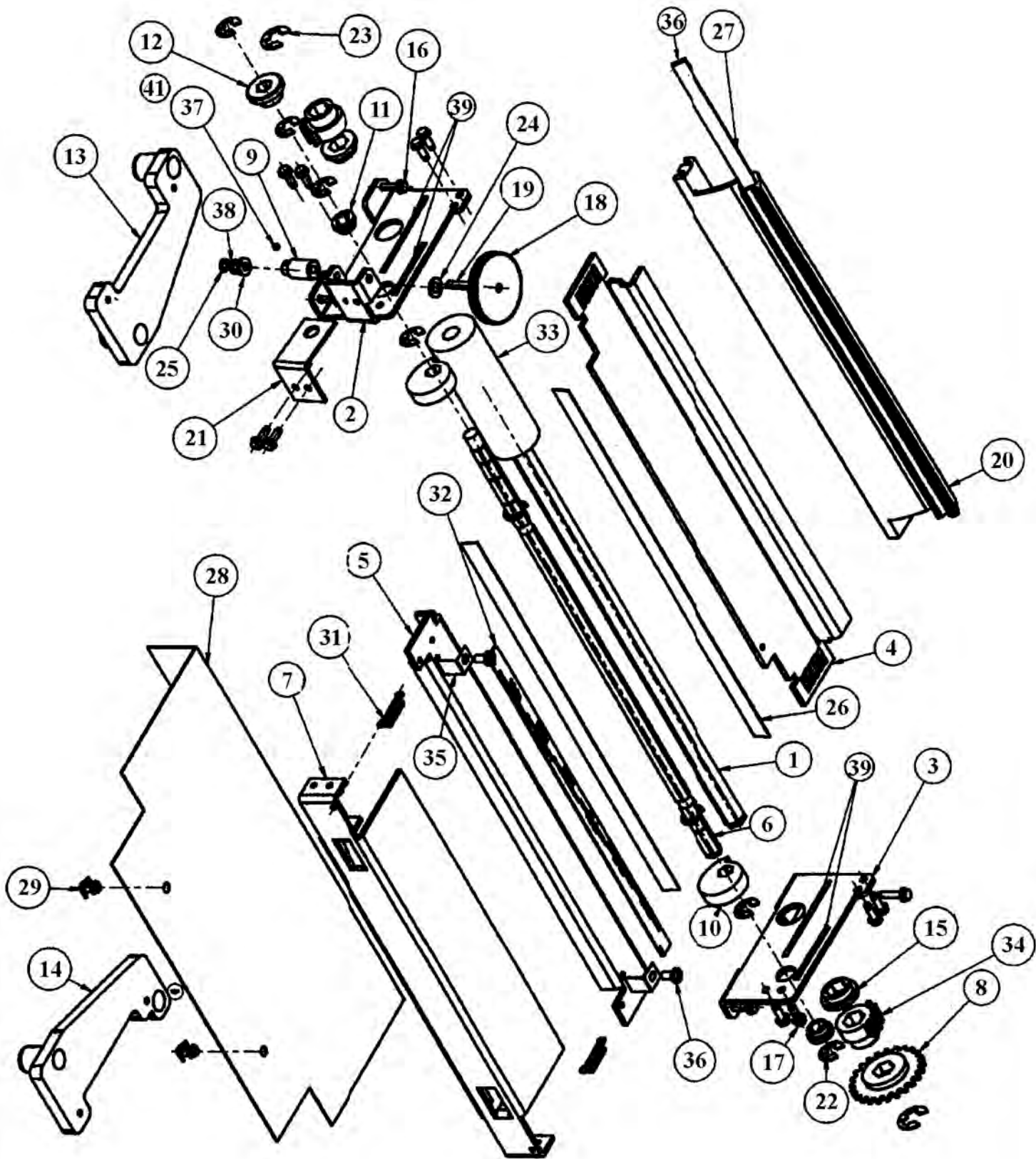


8	7703939	PIN GUIDE-WIRE	1
7	7703892	PRESSURE BAR	1
6	7703849	STRIPPER	1
5	7703690	STOP PLATE	1
4	7703689	SELECTOR PIN	2
3	1925004	WASHER, 3/16 ID X .049 W	2
2	1907105	10-32x1/2 SEMS HX WSH HD TAP SCR	3
1	1907103	10-32x1 SEMS HX WSH HD TAP SCR	2
<b>ITEM</b>	<b>PART NO.</b>	<b>DESCRIPTION</b>	<b>QTY.</b>

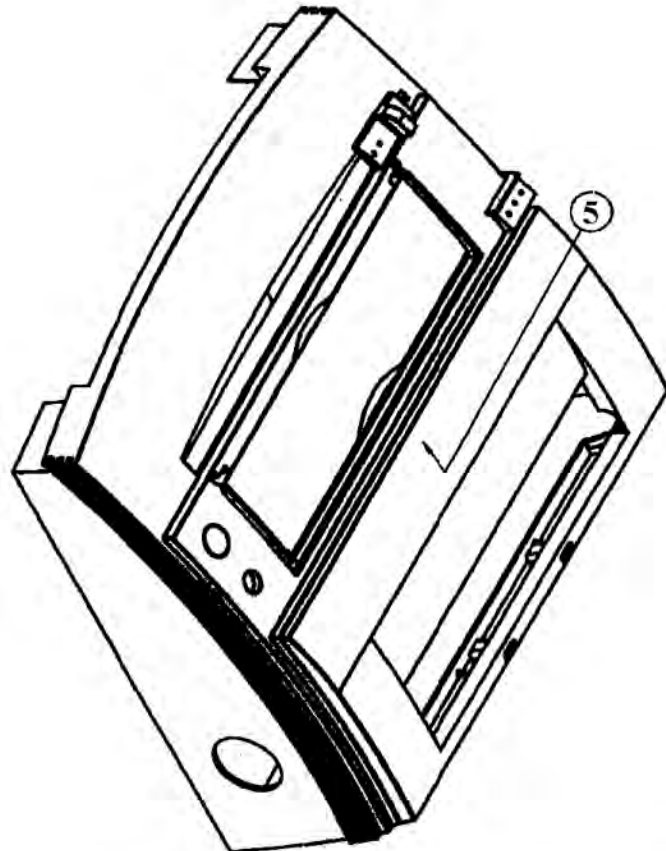
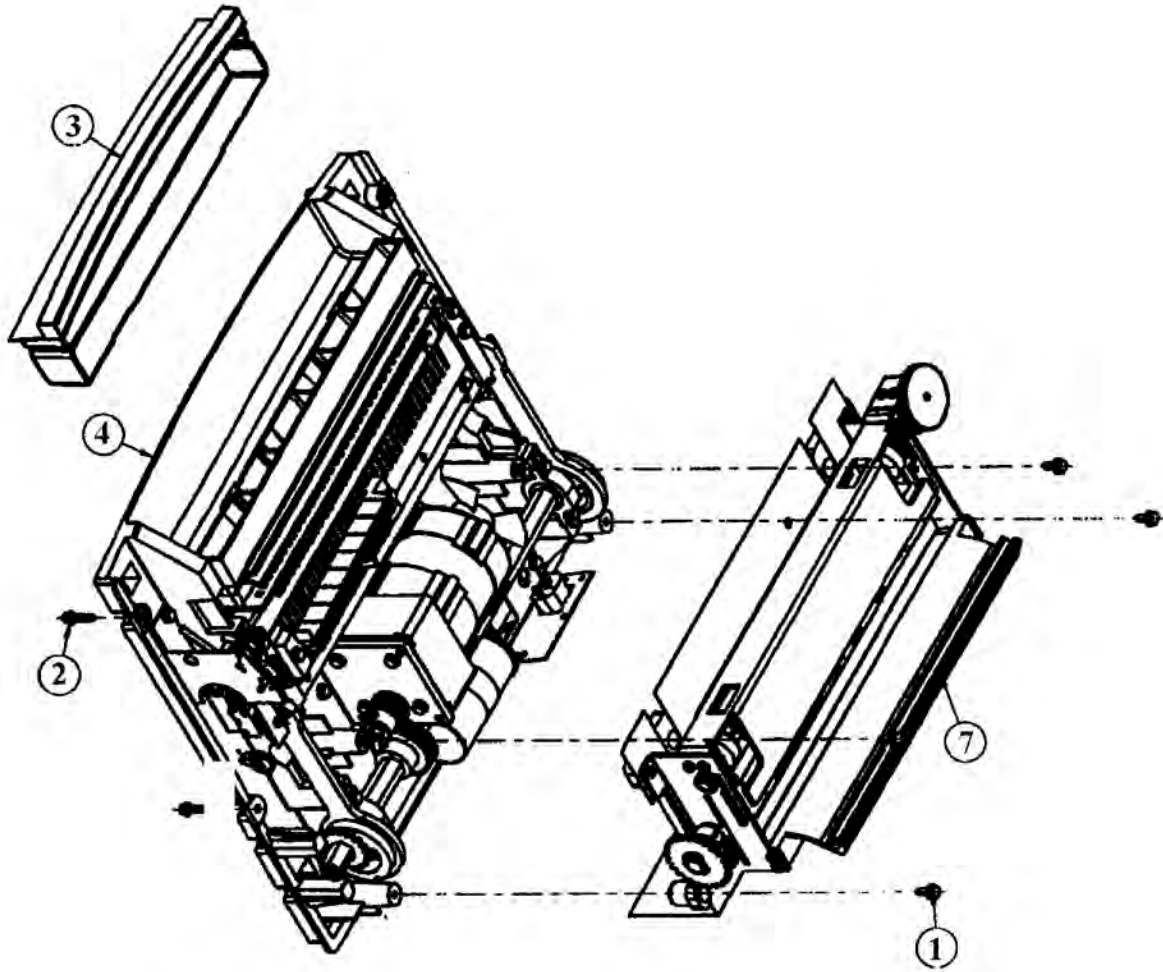


## TL-300

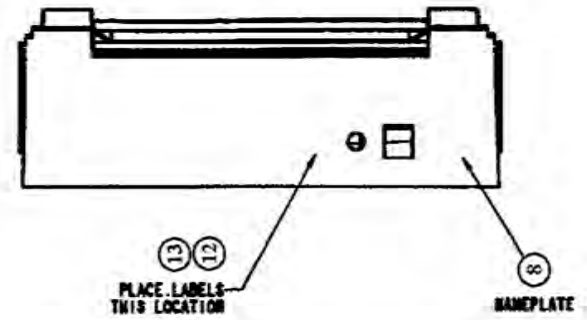
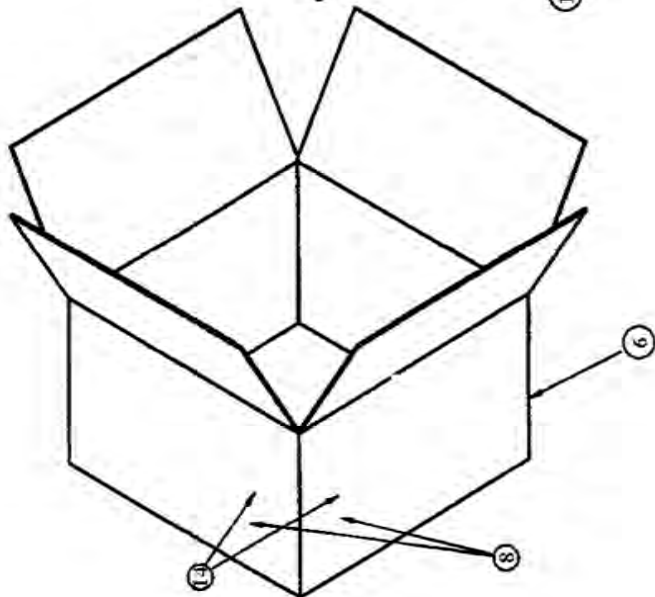
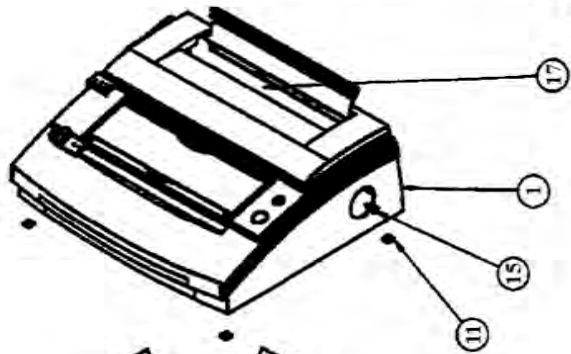
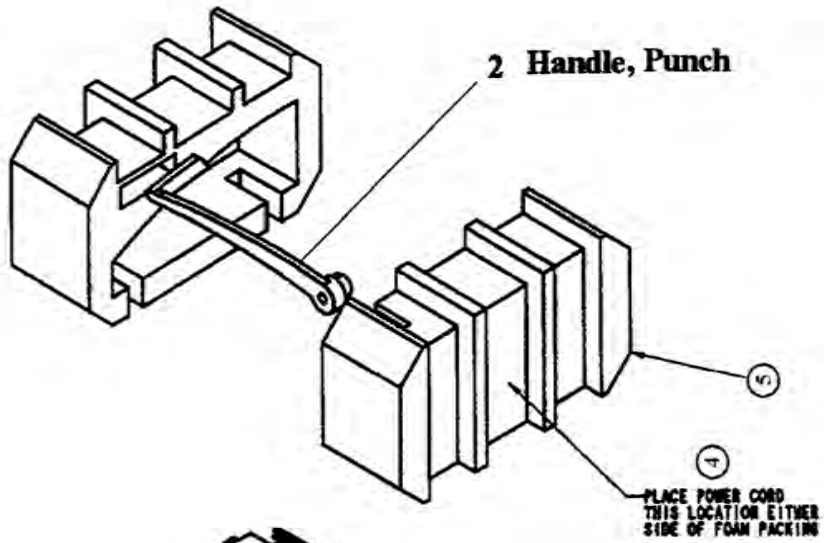
28	7703899	PRESSURE BAR ASM.	1
27	7703885	DIE SET ASM. WIRE	1
26	7703878	SHAFT	1
25	7703877	DRIVE SHAFT ASM.	1
24	7703869	COLLAR, HANDEL	1
23	7703655	BRACKET, ELECTRICAL PANEL	1
22	7703641	ACTUATOR ARM	1
21	7703631	DRIVE GEAR 35T	1
20	7703614	MOTOR ASM.-115V	1
19	7703607	PUNCH BRACKET ASM.	1
18	7703548	BEARING	2
17	7703547	ECCENTRIC	2
16	7703544	CONNECTING LINK	2
15	7703542	BASE, PUNCH	1
14	7703541	BEARING CAP	2
13	7703540	SLIDE	2
12	6205041	BRACKET, CAPACITOR 45mm	1
11	6205037	CAPACITOR, MOTOR 25mf	1
10	6190015	RECEPTACLE, LINE CORD	1
9	1932123	WIRE TIE	3
8	1930554	E-CLIP	2
7	1930251	HAIR PIN CLIP	2
6	1907805	6-32x1/4 PAN HD TAP SCREW	1
5	1907411	10-32x2 1/4 SEMS HX WSH HD MACH SCR	5
4	1907105	10-32x1/2 SEMS HX WSH HD TAP SCR	7
3	1907103	10-32x1 SEMS HX WSH HD TAP SCR	8
2	1907102	10-32 X 11/16 HX WSH HD TAP SCR	4
1	1900026	SET SCREW	1
<b>ITEM</b>	<b>PART NO.</b>	<b>DESCRIPTION</b>	<b>QTY.</b>



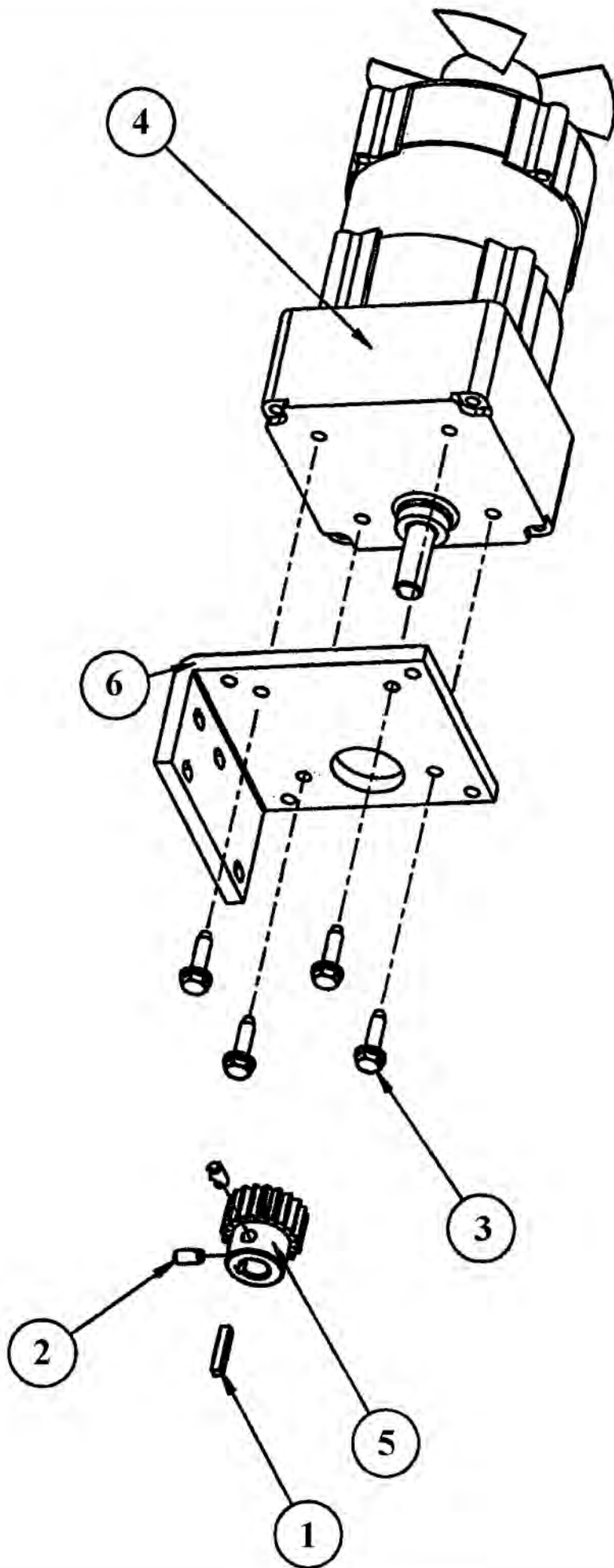
41	1960524	LOCTITE 242	.001
40	1960525	LOCTITE 495	.01
39	1961503	LUBRIPLATE #130-AA	.001
38	1925803	#10 STEEL INTERNAL LOCK WASHER	1
37	1900019	SET SCREW #6-32x1/8, CONIC POINT	1
36	1908500	SCR.10-32x3/8 PHL.PAN HD THRD FORM.	2
35	7703585	SHIM, CLOSER TL (SEE NOTE 2)	2
34	7703915	DRIVE GEAR	2
33	7703894	SLEEVE,CLOSER	1
32	7703824	LABEL, CLOSER ADJUST	1
31	1935309	SPRING	2
30	7703842	WASHER, WORM	1
29	1930302	PLUG	2
28	7703882	ELECTRIC SHIELD, MOTOR	1
27	7703828	MAGNET	1
26	7703826	RUBBER STRIP	2
25	1932510	E-CLIP	1
24	1925214	WASHER	1
23	1930522	E-CLIP	2
22	1930516	E-CLIP	8
21	7703829	BRACKET, GEAR SUPPORT	1
20	7703887	WIRE HOLDER	1
19	7703886	SHAFT, WORM	1
18	7703893	WHEEL-WORM GEAR	1
17	1907204	SCR 8-32X1/2 SEMS HX WSHD	10
16	1907203	SCR 8-32X3/4 SEMS HX WSHD	4
15	7703913	BUSHING TL CLOSER	2
14	7703845	BASE, RIGHT	1
13	7703844	BASE, LEFT	1
12	7703506	WORM GEAR METAL TL CLOSER	1
11	7703839	BEARING, CAM SHAFT	2
10	7703840	CAM	2
9	7703507	WORM METAL TL CLOSER	1
8	7703897	SPROCKET, CLOSER	1
7	7703841	BRACE	1
6	7703843	SHAFT, CAM	1
5	7703819	ADJUSTABLE CLAMP	1
4	7703914	DRIVE CLAMP	1
3	7703891	SIDE FRAME RIGHT	1
2	7703890	SIDE FRAME LEFT	1
1	7703889	MAIN SHAFT	1
ITEM	PART NO.	DESCRIPTION	QTY



7	7703880	ASSY-CLOSER-TL300/TL400	1
6	7703876	CHAIN	1
5	7703853	HOUSING ASSEMBLY	1
4	7703852	PUNCH ASSEMBLY	1
3	7703570	CHIP TRAY	1
2	1911001	10-32 X 3/4 SEMS WSH SKT HD SCR	4
1	1907105	10-32x1/2 SEMS HX WSH HD TAP SCR	4
ITEM	PART NO.	DESCRIPTION	QTY.



17	7703806	SHIPPING BLOCK	1.0	
16.	7703505	HANDLE INSTALL INSTRUCTION	1.0	
15.	1907404	SCR 10-32X3/4 HHS	1.0	
14.	6009242	NRTL/C SHIPPING LABEL	1.0	
13.	6009078	CSA NRTL/C LABEL	1.0	
12.	6009146	LABEL SHOCK DOM	1.0	
11.	7703552	FOOT	4.0	
10.	1155022	WARANTY CARD 90DAY	1.0	
9.	7703854	OPERATING INSTRUCTIONS	1.0	
8.	1155024	MAST. LISTING NAMEPLATE	1.0	
7.	1963141	S* TAPE 2" X 3000' PK	5.0	
6.	7703679	CARTON P400	1.0	
5.	7703580	FOAM END CAP, NOPASET	1.0	
4.	6200001	CORD SET-115V	1.0	
3.	7703881	PAPER SUPPORT	1.0	
2.	7703535	HANDLE, PUNCH	1.0	
1.	7703851	DB TL300 FIN. ASM. DOM	1.0	
ITEM NO.	PART NO.	DESCRIPTION	QTY.	ZONE



<b>6</b>	<b>7703635</b>	<b>BRACKET, MOTOR</b>	<b>1</b>
<b>5</b>	<b>7703699</b>	<b>PINION GEAR 20T</b>	<b>1</b>
<b>4</b>	<b>7703612</b>	<b>MOTOR</b>	<b>1</b>
<b>3</b>	<b>1907404</b>	<b>10-32-3/4 SEMS HX WSH HD SCR</b>	<b>4</b>
<b>2</b>	<b>1900026</b>	<b>SET SCREW</b>	<b>2</b>
<b>1</b>	<b>1852815</b>	<b>KEY</b>	<b>1</b>
<b>#</b>	<b>PART #</b>	<b>DESCRIPTION</b>	<b>QTY.</b>

6	7703640	MICRO SWITCH	1
5	7703638	PUNCH SWITCH	1
4	7703608	BRACKET, PUNCHSWITCH	1
3	1907840	SCR 6-32 X 1 PAN HD TAP	2
2	1902834	SCR 4-40 X 5/8 PAN HD	2
1	1118872	RELEASE SWITCH SPACER	1
#	PART #	DESCRIPTION	QTY

