



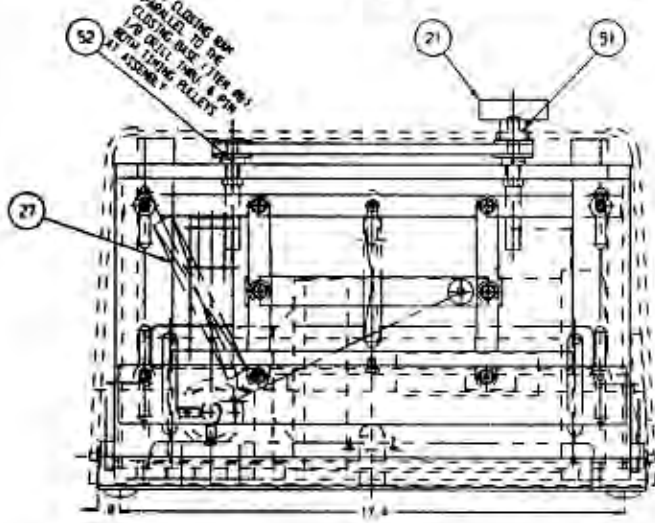
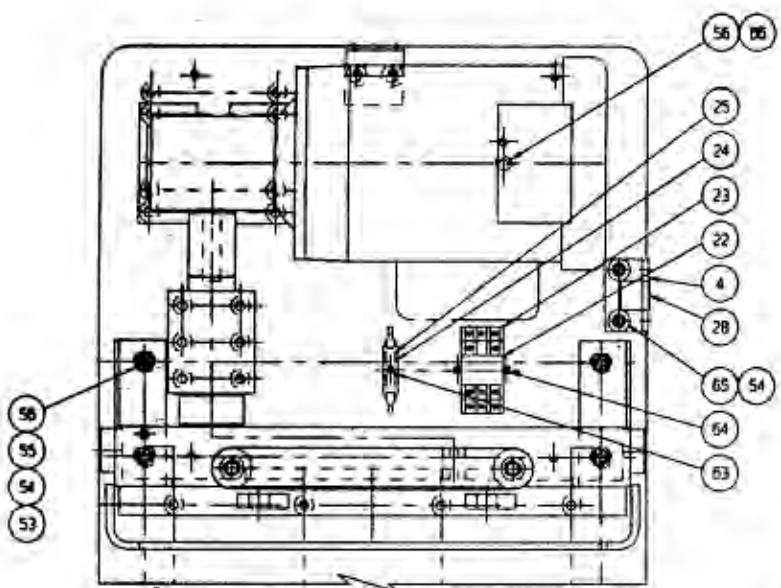
# TI 17

# Parts List

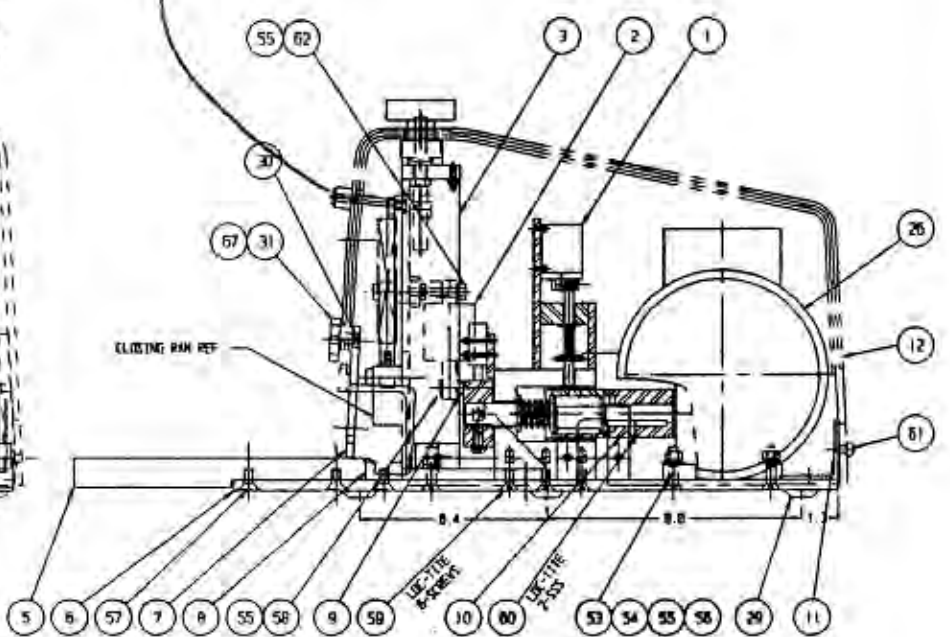


GBC IS AN ACCO BRANDS COMPANY

# 2.0 PARTS LIST



GET CLOSING BAR  
COMBINED TO THE  
CLOSING BAR. THE 48"  
1/2 DRILL BASE, THE 48"  
1/2 DRILL PANEL, & THE  
1/2 DRILL ASSEMBLY



Knob # 0750088200 (28.67 RTL.)

CLOSING BAR REF

LUBRIFY  
P-200

LUBRIFY  
P-200

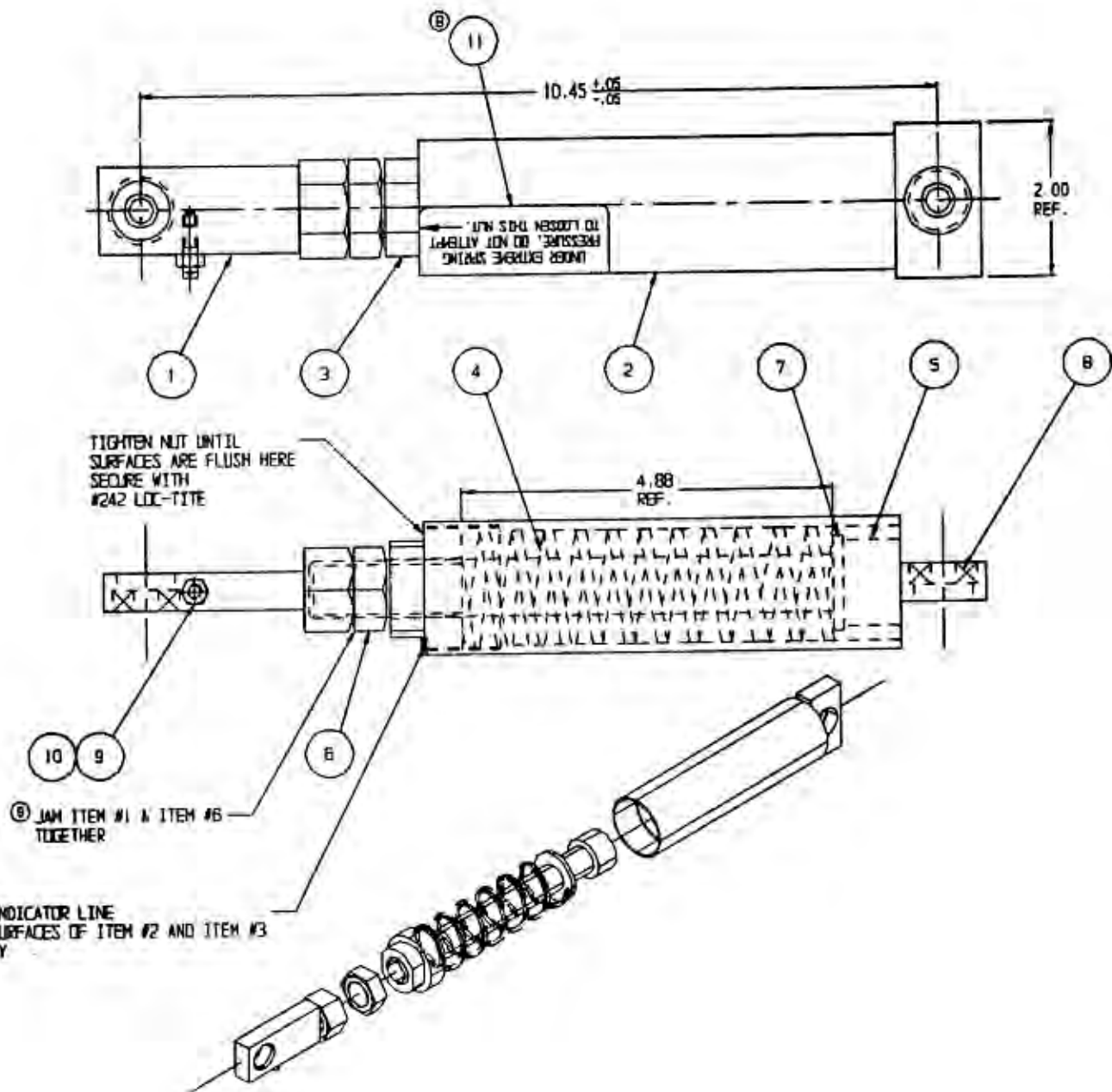
## 2.0 PARTS LIST

ITEM NO.	OLD PART NO.	NEW PART NO.	DESCRIPTION	QTY.
N/A	1170000	N/A	Closing Unit - Table Top Assembly	1
1	1170200	1770832	Clutch System Assembly	1
2	1170100	1770833	Safety Spring Assembly	1
3	1170300	1770834	Closing Assembly	1
4	1170003	1770835	Bracket - Switch	1
5	4800430	1770836	Table	
6	1170002	1770838	Plate - Base	1
7	4800425	1770838	Guard - Adjustable	1
8	1170001	1770839	Base - Closing	1
9	1170005	1770842	Spacer	1
10	1170020	1770843	Clutch - Fixed	1
11	1170004	1770844	Bracket - Cover	1
12	4800420	1770845	Cover - Molded	1
21	7500880	1770846	Handwheel	1
22	2200515	1770847	Relay	1
23	2201551	1770848	Square Base Socket	1
24	2201505	1770849	Single Pole Fuse Block	1
25	2201400	9900314	Fuse, 10 Amp	1
26	2200080	1770852	Motor - Gear	1
27	7500314	9900269	Spring - Extension	1
28	2200119	1770853	Rocker Switch with Red Light	1
29	7501800	1770854	Bumper - Self Adhesive	6
30	7503050	1770855	Flange Nuts	2
31	7500940	9900165	Knob - Rosetta	2
32	7500882	1770856	Pointer	1
33	4800043	1770857	Decal - Size	1
34	4800012	1770858	Tag - Caution	1
35	4800025	N/A	Tag - Serial	1
36	2200150	1770862	Foot Switch	1
37	4800037	1770863	Decal - Turn	1
38	4800038	1770864	Decal - Warning	1
39	2200155	1770865	Guard - Foot Switch	1
40	2201310	1770866	Cord - Strain Relief	2

## 2.0 PARTS LIST

ITEM	OLD PART NO.	NEW PART NO.	DESCRIPTION	QTY.
41	4800036	1770867	Decal - Logo - 1-1/2 Square	1
51	7510240	N/A	Socket Set Screw, 1/4-20 X 1/4"	1
52	7503630	N/A	Roll Pin, 1/8 DIA X 1"	2
53	7508705	N/A	Flat Head Cap Screw, 5/16-18 X 1-1/2"	8
54	7504120	N/A	Washer - Flat, 5/16 ID	10
55	7504130	N/A	Washer - Lock , 5/16 ID	10
56	7503065	N/A	Nut - Hex, 5/16-18	9
57	7508700	N/A	Flat Head Cap Screw, 5/16-18 X 3/4"	12
58	7505280	N/A	Hex Head Cap Screw, 5/16-18 X 1-1/2"	1
59	7508705	N/A	Flat Head Cap Screw, 5/16-18 X 1"	6
60	7514050	N/A	Socket Set Screw, 1/4-28 X 1/2"	2
61	7533953	N/A	Screw-Phillips-Beige, 10/32 X 1/2	6
62	7505275	N/A	Hex Head Cap Screw, 5/16-18 X 1-1/4"	1
63	7507110	N/A	Socket Head Cap Screw, 8-32 X 1/2"	2
64	7507070	N/A	Socket Head Cap Screw, 6-32 X 1/2"	1
65	7507280	N/A	Socket Head Cap Screw, 5/16-18 X 1/2	4
66	7510387	N/A	Socket Set Screw, 5/16-18 X 1-1/4"	1
67	7507190	N/A	Socket Head Cap Screw, 1/4-20 X 1/2"	2

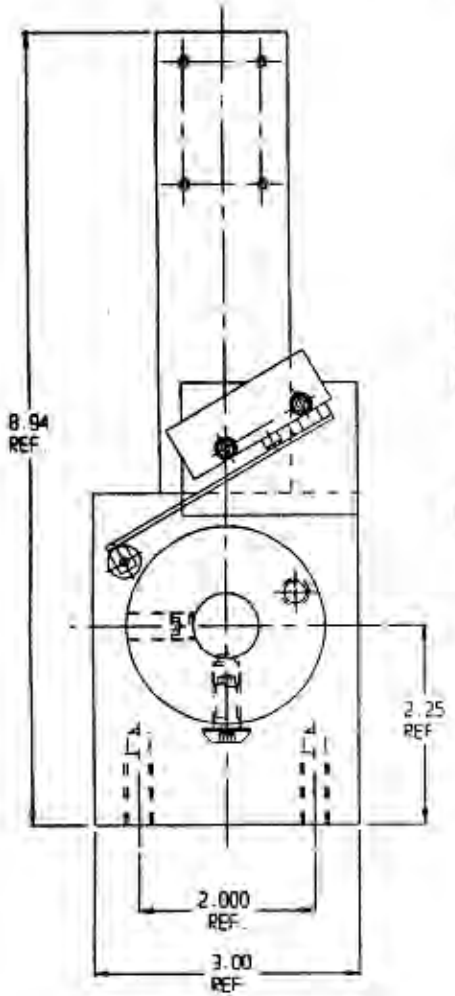
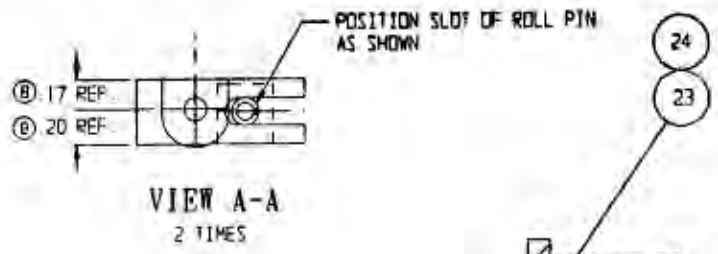
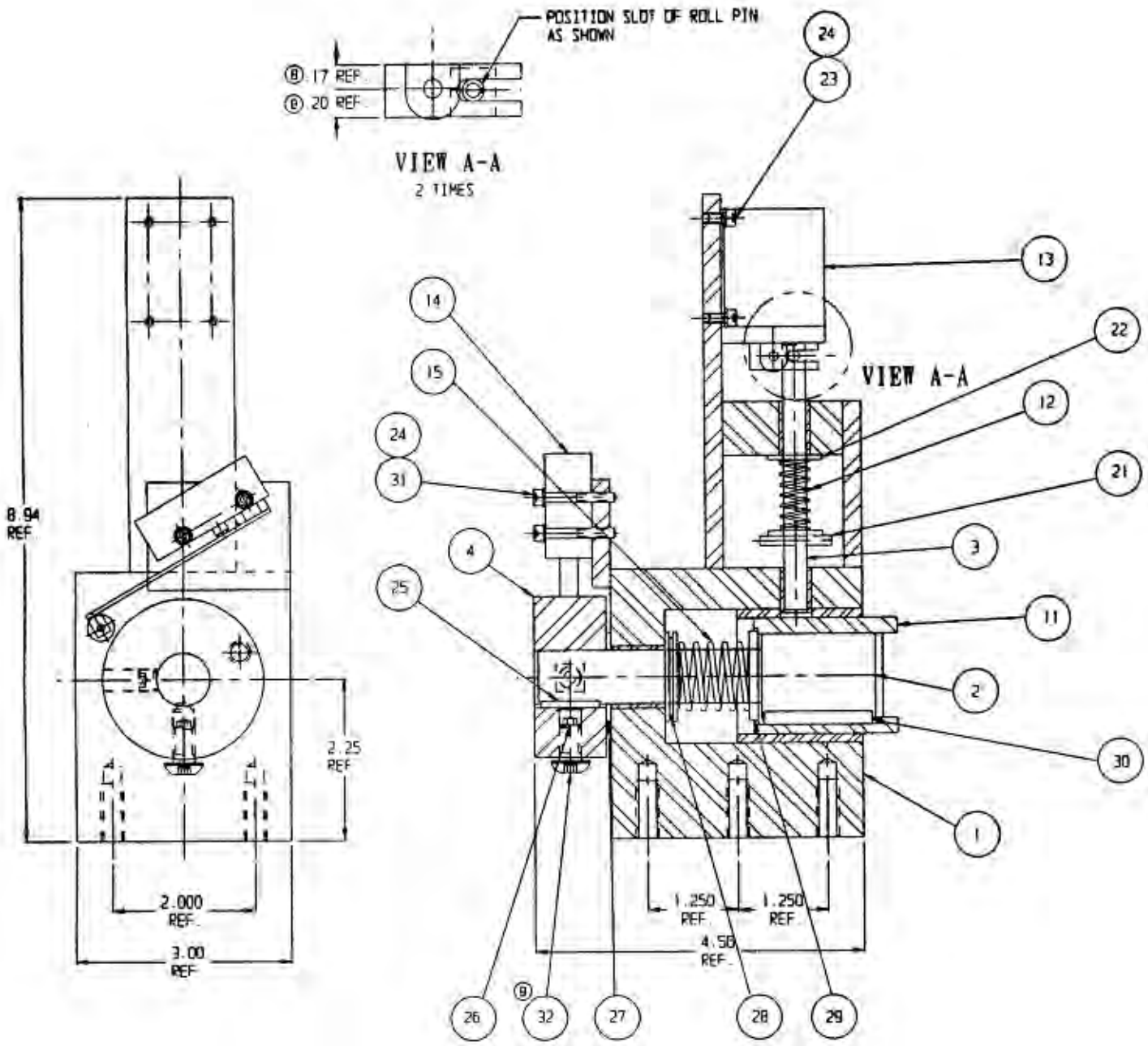
## 2.0 PARTS LIST



## 2.0 PARTS LIST

ITEM NO.	OLD PART NO.	NEW PART NO.	DESCRIPTION	QTY.
N/A	1170100	1770833	Safety Spring Assembly	1
1	1170101	N/A	Link - L/H	1
2	1170102	N/A	Link - R/H	1
3	1170103	N/A	Nut - Preload	1
4	7500390	N/A	Spring - Die	1
5	7507613	N/A	Socket Head Cap Screw, 3/4-10 X 7	1
6	7503200	N/A	Nut - Hex - Jam, 3/4-10	1
7	7504750	N/A	Washer - Flat, 3/4 ID	1
8	4850562	N/A	Ball Bearing	2
9	7500199	N/A	Spring Anchor	1
10	7503030	N/A	Nut - Hex, 10-32	1
11	4800039	N/A	Decal - Warning	1

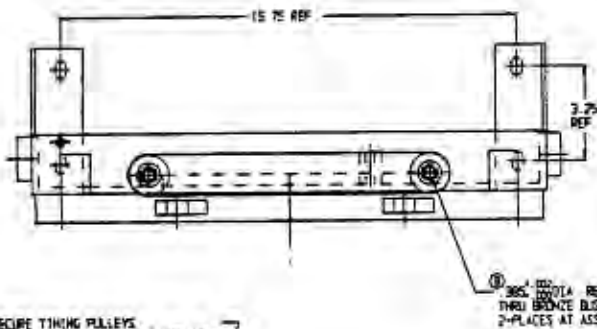
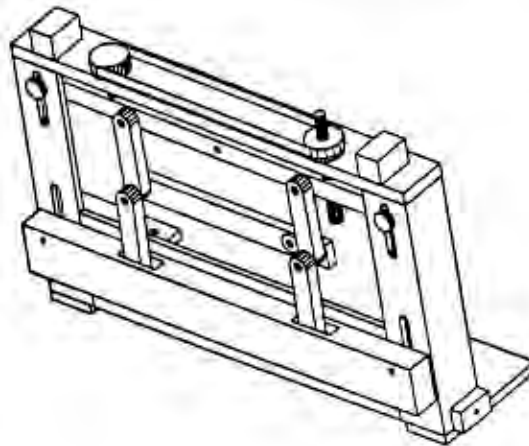
# 2.0 PARTS LIST



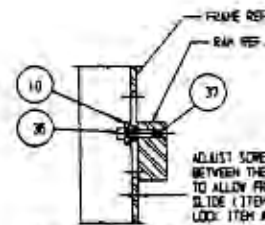
## 2.0 PARTS LIST

ITEM NO.	OLD PART NO.	NEW PART NO.	DESCRIPTION	QTY.
N/A	1170200	1770832	Clutch System Assembly	1
1	1170201	N/A	Weldment - Clutch	1
2	1170202	N/A	Shaft - Clutch	1
3	1170203	N/A	Pin - Solenoid	1
4	1170204	N/A	Disk - Crank	1
11	1170021	1100064	Clutch - Jaw - Slide	1
12	7500303	N/A	Spring - Compress - Solenoid	1
13	<del>2200940</del>	<del>1118833</del>	Solenoid - Assembly <i>0220094200</i>	1
14	2200157	N/A	Limit Switch	1
15	7500304	N/A	Spring - Compression - Clutch	1
21	7503645	N/A	Roll Pin, 5/32 DIA X 1"	2
22	7504120	N/A	Washer - Flat, 5/16 ID	2
23	7507060	N/A	Socket Head Cap Screw, 6-32 X 1/4"	4
24	7504020	N/A	Washer - Lock, #6 ID	6
25	5121504	N/A	Key - Modified, 3/16 X 3/16 X 3/4	1
26	7510362	N/A	Socket Set Screw Cut Pt, 5/16-24 X 1/4	2
27	7501940	N/A	Washer - Thrust, 3/4 ID	3
28	7501252	N/A	Snap Ring, 3/4 ID	1
29	7504750	N/A	Washer, Flat, 3/4 ID	1
30	5121505	N/A	Key, 1/4 X 1/4 X 1-1/4	1
31	7507080	N/A	Socket Head Cap Screw, 6-32 X 1"	2
32	7509468	N/A	Button Head Cap Screw, 5/16-24 X 1/2"	1

# 2.0 PARTS LIST

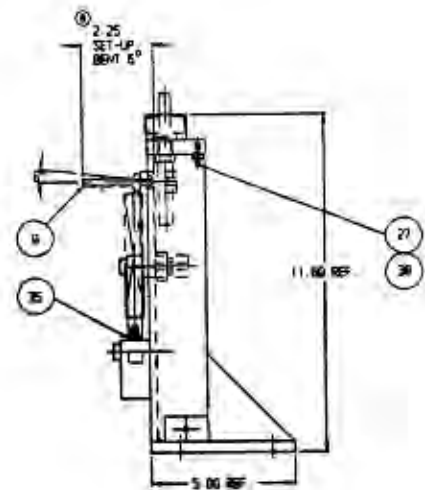
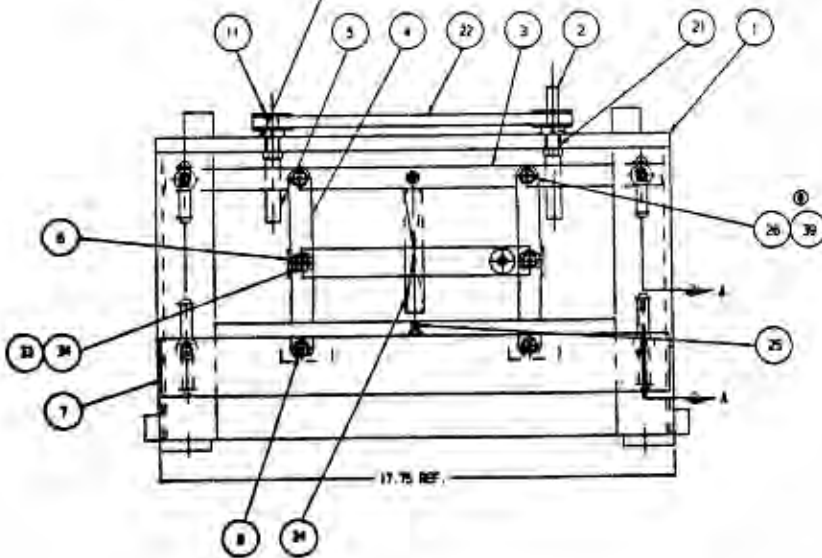


SECURE TINKING PALLEYS ITEM #23 WITH SET SCREWS FOR NOW DURING FINAL ASSY THEY WILL BE PINNED.



**SECTION A-A**

ADJUST SCREW (ITEM #36) FOR MINIMUM CLEARANCE BETWEEN THE FRAME AND GLIDE BUSHING (ITEM #10) TO ALLOW FREE MOVEMENT OF GLIDING RAK (ITEM #7) & SLIDE (ITEM #3) FOR ENTIRE LENGTH OF SLOTS. LOCK ITEM #36 INTO POSITION WITH SET SCREW (ITEM #37)



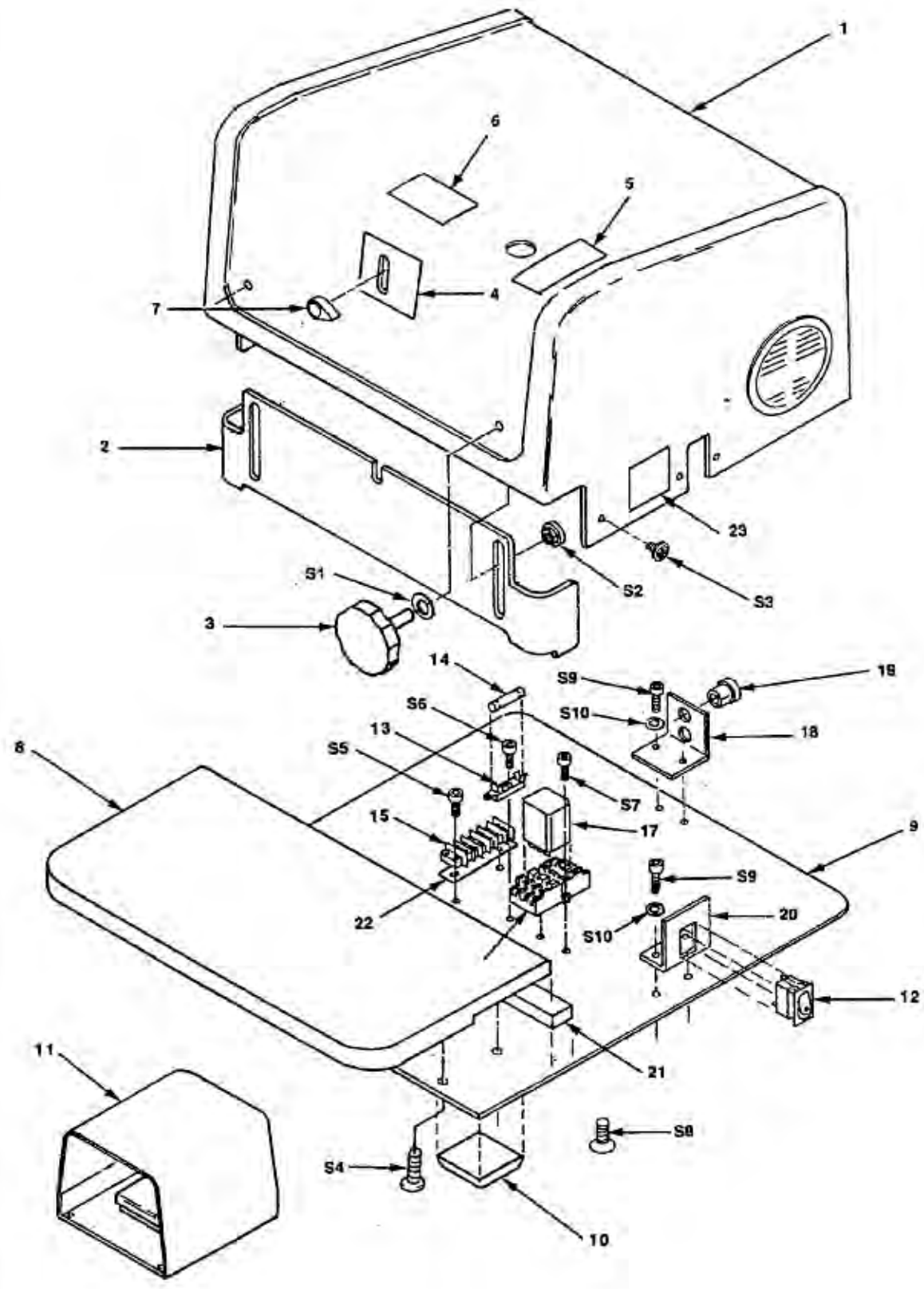
\*ok

## 2.0 PARTS LIST

ITEM NO.	OLD PART NO.	NEW PART NO.	DESCRIPTION	QTY.
N/A	1170300	1770834	Closing Assembly	1
1	1170301	N/A	Frame - Table Top	1
2	1170312	N/A	Screw - Adjust (R/H)	1
3	1170314	N/A	Slide	1
4	1170313	N/A	Link	4
5	1170311	N/A	Screw - Adjust (L/H)	1
6	1170315	N/A	Cross Piece	1
7	4260920	N/A	Ram	1
8	4250927	N/A	Shoulder Screw - Mod.	2
9	* 0110007500	N/A	Shaft - Point	1
10	4250917	N/A	Bushing - Guide	4
11	1170316	N/A	Pulley - Timing - Mod.	2
21	4850290	N/A	Bronze Bushing	2
22	7501612	N/A	Belt - Timing	1
24	7500313	N/A	Spring - Extension	1
25	7500197	N/A	Spring - Anchor (1/4-20)	1
26	7502381	N/A	Shoulder Screw - 3/8 DIA X 1/2	2
27	7500199	N/A	Spring - Anchor	1
33	7502390	N/A	Shoulder Screw, 3/8 DIA X 1"	2
34	7503070	N/A	Nut - Hex - Jam, 5/16-18	2
35	7503045	N/A	Nut - Hex - Jam, 1/4-20	2
36	7507220	N/A	Socket Head Cap Screw, 1/4-20 X 1"	4
37	7510240	N/A	Socket Set Screw, 1/4-20 X 1/4"	4
38	7503030	N/A	Nut - Hex, #10-32	1
39	7510350	N/A	Socket Set Screw, 5/16-18 X 1/4"	2

# BASE, COVER & TABLE ASSEMBLY

## Figure 4



## Figure 4. PARTS LIST

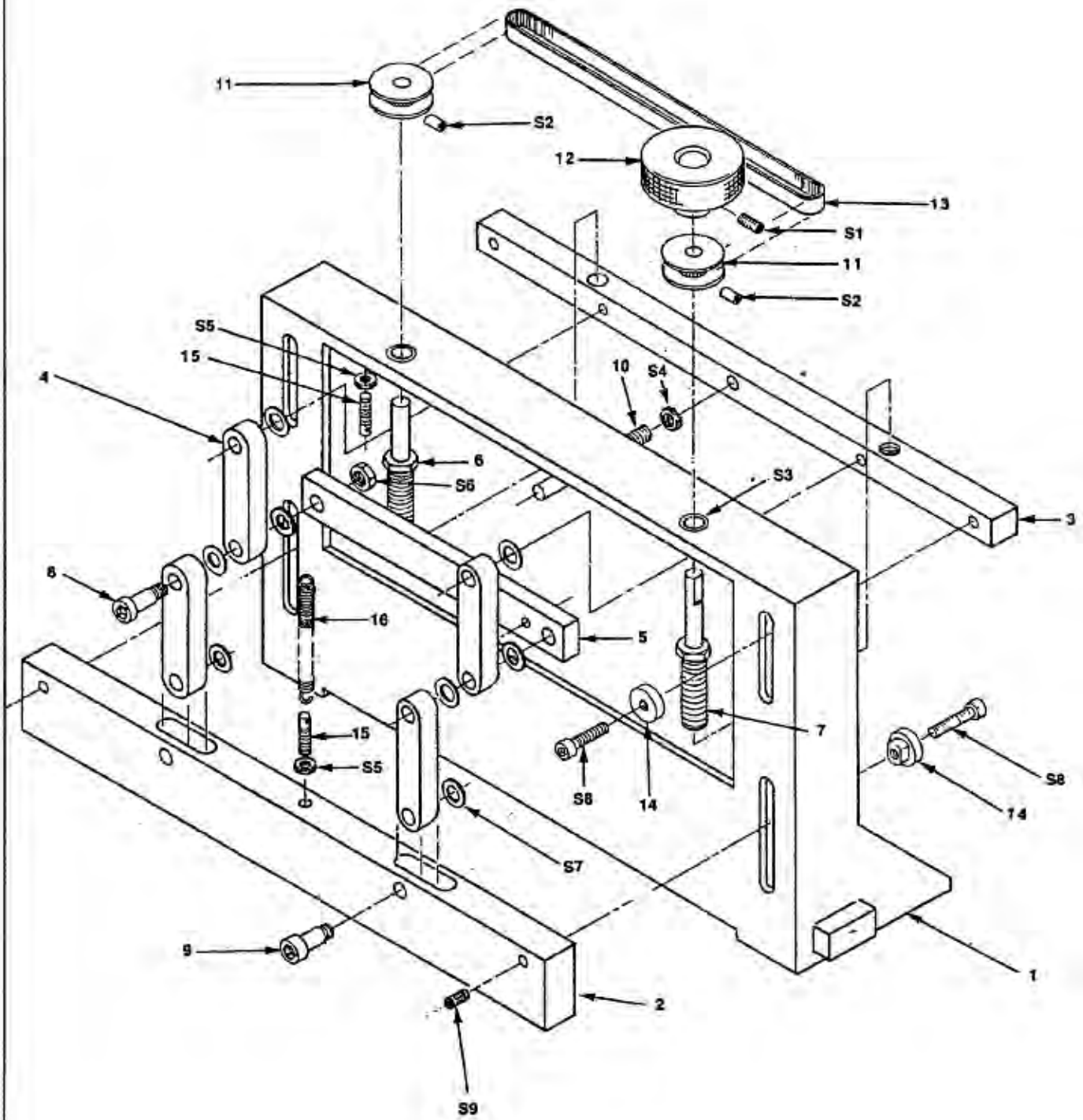
ITEM NO.	SICKINGER PART NO.	DESCRIPTION	QUANTITY REQUIRED
1	0117000600	Cover, molded	1
2	0480042500	Guard, Adjustable	1
3	0750094000	Knob, Rosetta	1
4	0480004400	Decal, Size	1
5	0480003700	Decal, Turn	1
6	0480003800	Decal, Warning	1
7	0750088200	Pointer	1
8	0480043000	Table	1
9	0117000200	Plate, Base	1
10	1954506	Bumper, Self Adhesive	6
11	0117099900	Foot Switch Assembly	1
12	0220011900	Rocker Switch	1
13	0220150500	Single Pole Fuse Block	1
14	0220140000	Fuse, 10 Amp	1
15	0220155700	Terminal Strip	1
16	0220155100	Square Base Socket	1
17	0220051500	Relay 115 V	1
18	0117000400	Bracket, Cover	1
19	0220131000	Strain Relief, Cord	2
20	0117000300	Bracket, Power Switch	1
21	0117000100	Base, Closing	1
22	0220155800	Marker Strip	1
23	0480001300	Tag, Warning	1

## Figure 4. STANDARD PARTS LIST

ITEM NO.	SICKINGER PART NO.	DESCRIPTION	QUANTITY REQUIRED
S1	0750412000	Washer, Flat	2
S2	0750305000	Flange Nut	2
S3	0753395300	Screw, PH Beige	6
S4	0750870500	FHCS	6
S5	0750711000	Cap Screw	2
S6	0750707500	SHCS	2
S7	0750707000	SHCS	2
S8	0750870000	FHCS	12
S9	0750728000	SHCS	4
S10	0750412000	Washer, Flat	11

# CLOSING UNIT ASSEMBLY

Figure 5



## Figure 5. PARTS LIST

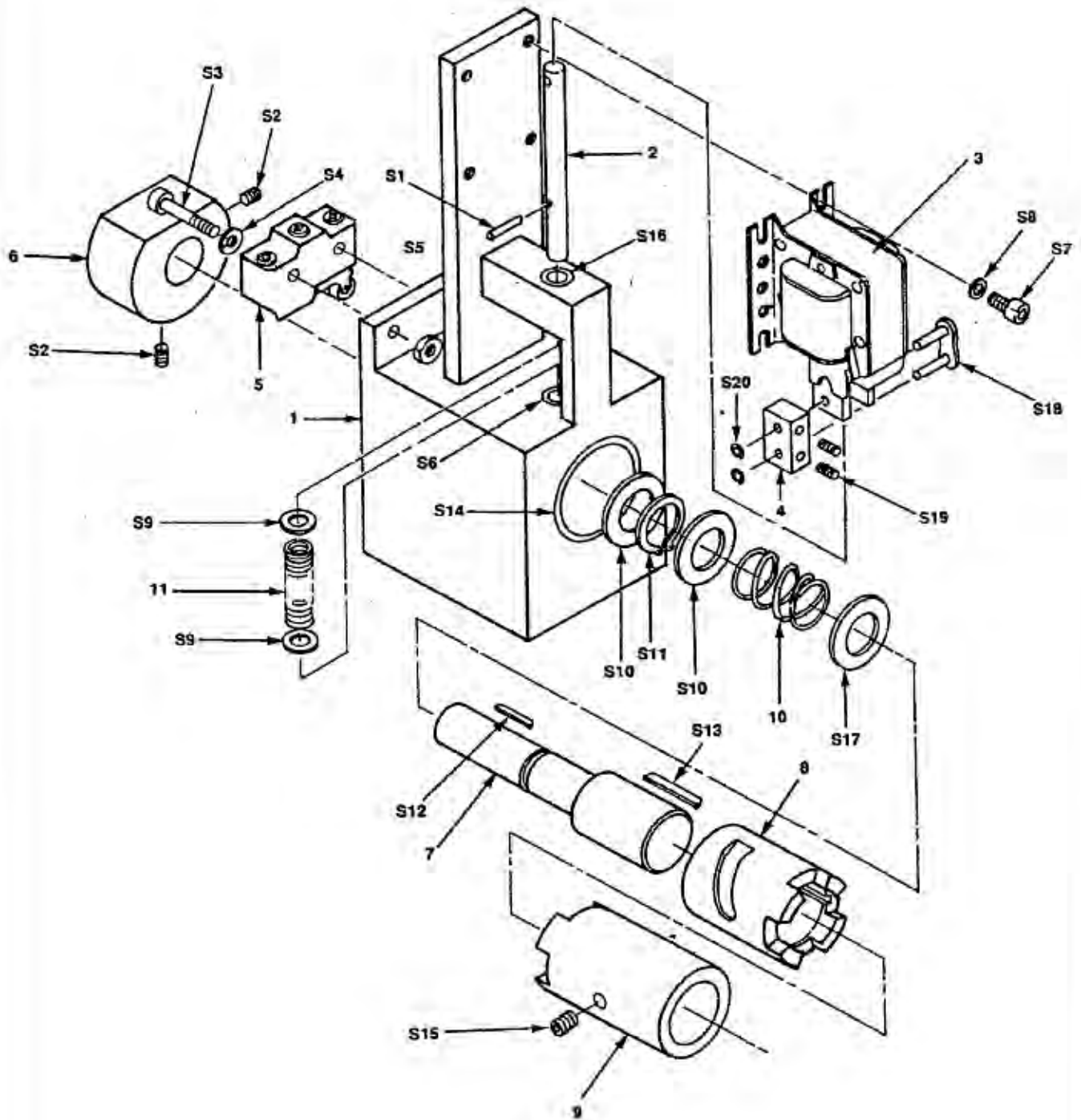
ITEM NO.	SICKINGER PART NO.	DESCRIPTION	QUANTITY REQUIRED
1	0117030100	Frame, Table Top	1
2	0426092000	Ram	1
3	0117031400	Slide	1
4	0117031500	Link	4
5	0117031500	Cross Piece	1
6	0117031100	Screw, Adjustment, Left Hand	1
7	0117031200	Screw, Adjustment, Right Hand	1
8	0750239300	Screw, Shoulder	2
9	0425092700	Screw, Shoulder (Modified)	2
10	0110007500	Shaft, Pointer	1
11	0117031600	Pulley, Timing	2
12	0750088000	Handwheel	1
13	0750161200	Belt, Timing	1
14	0425091700	Bushing, Guide	4
15	0750019700	Anchor, Spring	2
16	0750031300	Spring, Extension	1

## Figure 5. STANDARD PARTS LIST

ITEM NO.	SICKINGER PART NO.	DESCRIPTION	QUANTITY REQUIRED
S1	0751024000	Set Screw - 1/4 x 20 x 1/4	1
S2	0750363000	Roll Pin	2
S3	0485029000	Bushing, Bronze	2
S4	0750527500	Nut, Hex	1
S5	0750303000	Nut, Hex	2
S6	0750307000	Nut, Hex	2
S7	0750190700	Washer, Thrust	8
S8	0750722000	Cap Screw (SHCS)	4
S9	0751024000	Set Screw (SSS)	2

# CLUTCH ASSEMBLY

Figure 6



## Figure 6. PARTS LIST

ITEM NO.	SICKINGER PART NO.	DESCRIPTION	QUANTITY REQUIRED
1	0117050100	Clutch Housing Weldment	1
2	0117020300	Pin, Solenoid	1
3	0220094200	Solenoid	1
4	0117020500	Link, Support	1
5	0220016300	Limit Switch	1
6	0117020400	Disc, Crank	1
7	0117020200	Shaft, Clutch	1
8	0117002100	Clutch Jaw, Slide	1
9	0117002000	Clutch Jaw, Fixed	1
10	0750030400	Spring, Compression, Clutch	1
11	0750030300	Spring, Compression, Solenoid	1

## Figure 6. STANDARD PARTS LIST

ITEM NO.	SICKINGER PART NO.	DESCRIPTION	QUANTITY REQUIRED
S1	0750364500	Roll Pin	1
S2	0751036200	SSS Cut Point	2
S3	0750708100	SHCS - 6/32 x 1-1/4	2
S4	0750402000	Washer, Lock	2
S5	0750300500	Nut, Hex	2
S6	0485025300	Bushing, Bronze	1
S7	0750710500	SHCS	4
S8	0750403500	Washer, Lock	4
S9	0750412000	Washer, Flat	2
S10	0750194000	Washer, Flat	3
S11	0750125200	Snap Ring	1
S12	0512150400	Key	1
S13	0512150500	Key	1
S14	0485035300	Bushing, Bronze	1
S15	0751033000	Set Screw	1
S16	0485025500	Bushing, Bronze	1
S17	0750475000	Washer, Flat	1
S18	0750097500	Master Link	1
S19	0751013000	Set Screw	2
S20	0750127700	Snap Ring	2



# SAFETY SPRING ASSEMBLY

Figure 7

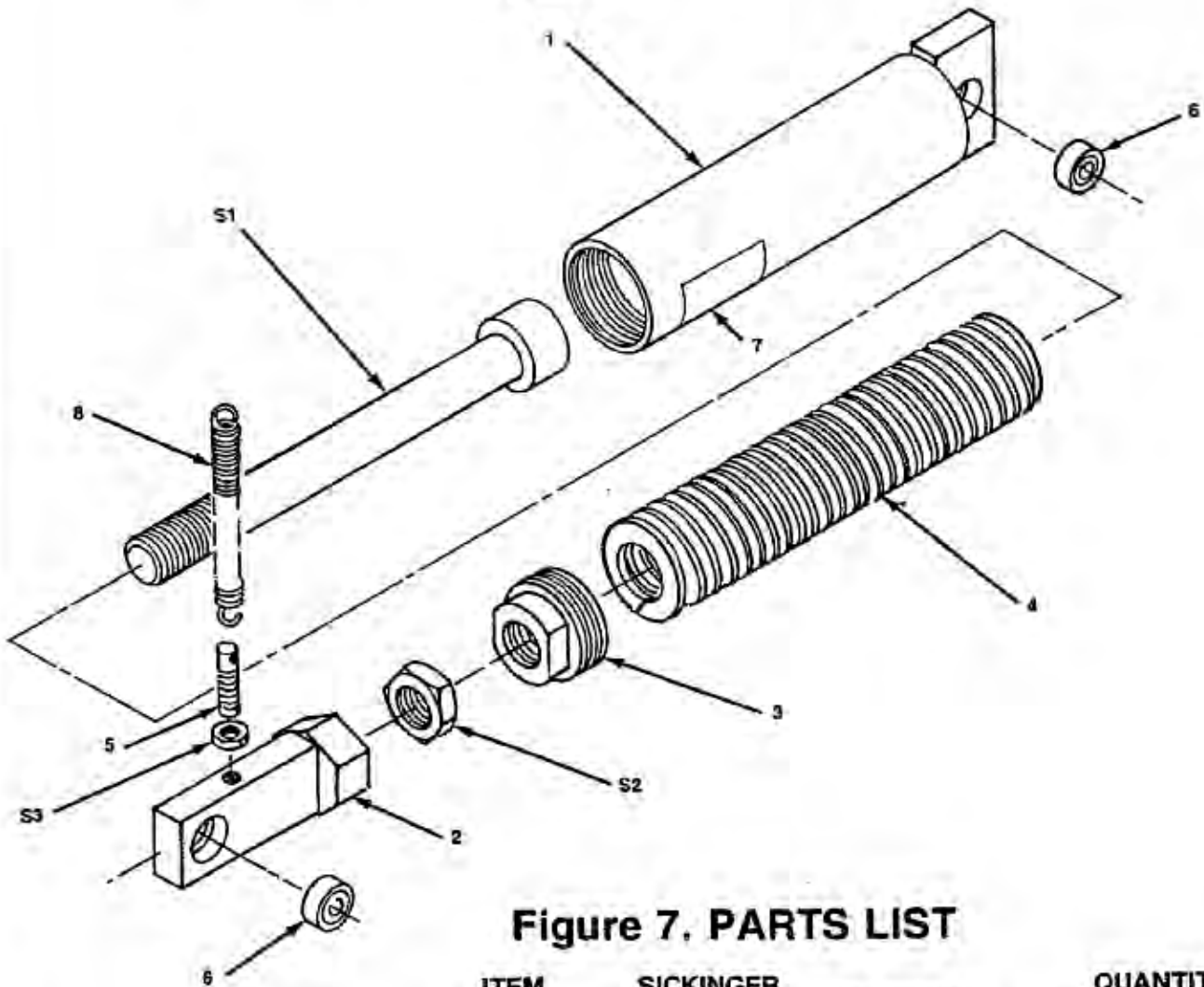


Figure 7. PARTS LIST

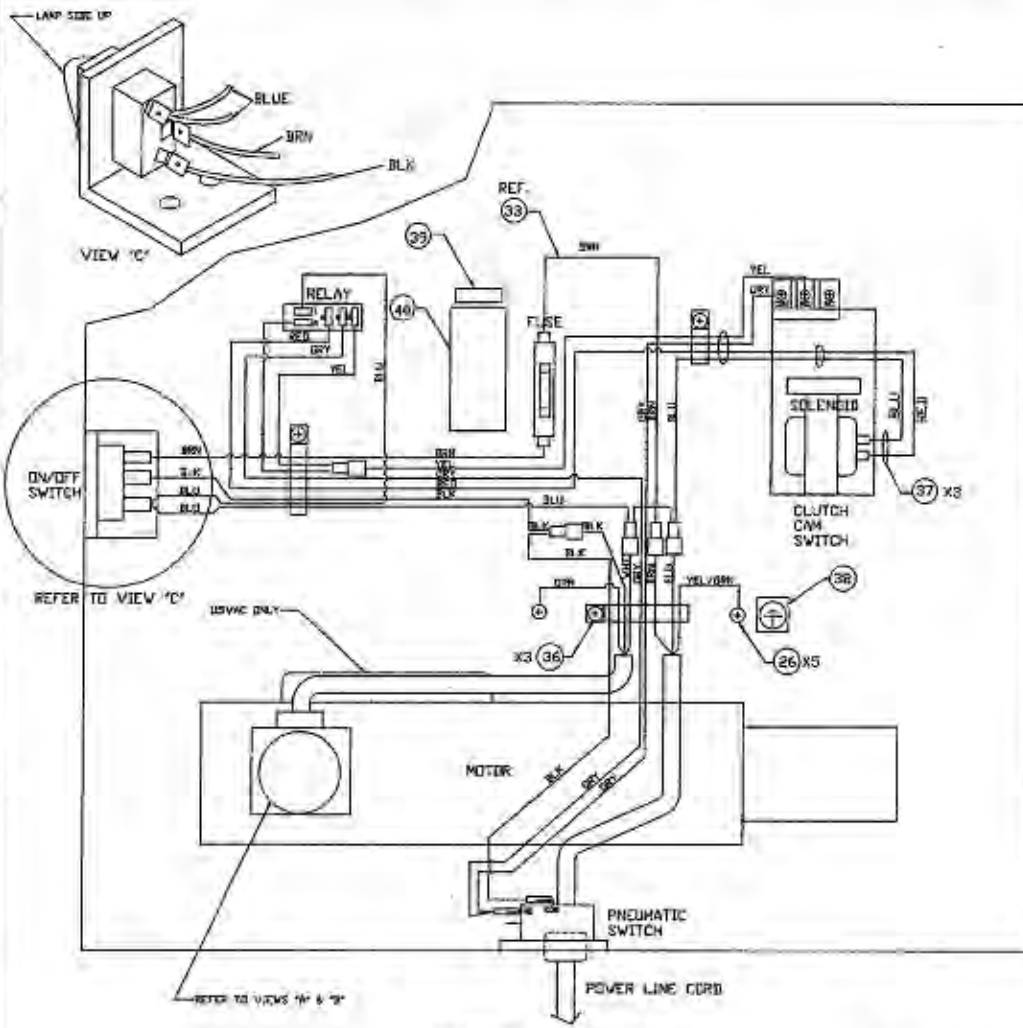
ITEM NO.	SICKINGER PART NO.	DESCRIPTION	QUANTITY REQUIRED
1	0117010200	Link, Right Hand	1
2	0117010100	Link, Left Hand	1
3	0117010300	Nut, Pre-Load	1
4	0750039000	Spring, Die	1
5	0750019900	Anchor, Spring	1
6	0485856200	Ball Bearing	2
7	0480003900	Decal, Warning	1
8	0750030900	Spring, Extension	1

Figure 7. STANDARD PARTS LIST

S1	0750761300	SHCS - 3/4 x 10 x 7	1
S2	0750320000	Nut, Hex, Jam - 3/4 x 10	1
S3	0750303000	Nut, Hex	1

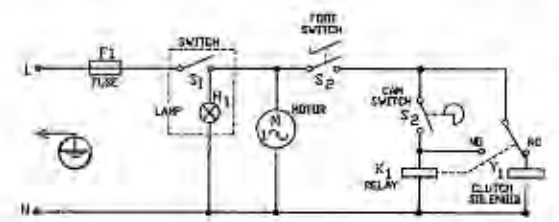
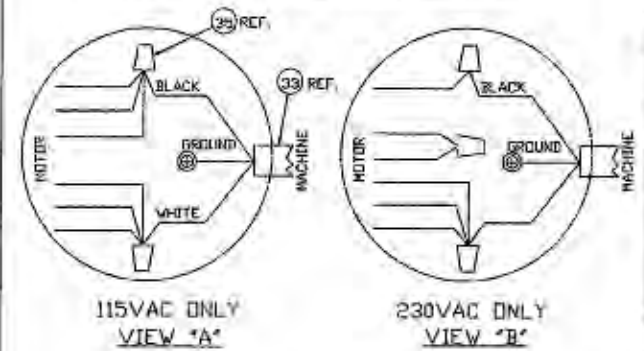
7405218

REV. LISTINGS		DATE	BY
DATE	CHANGE		
A1	REDRAWN UPON RELEASE BY GRQ WITH CHANGES	04/00	GRQ



WIRING LAYOUT

CONNECT WIRE KIT, ITEM 33, TO MOTOR, ITEM 10, AS PER VOLTAGE SPECIFIC MOTOR MANUFACTURERS INSTRUCTIONS.



PART TO BE FREE OF BURRS, SHARP EDGES AND SHARP CORNERS		ALL DIMENSIONS AFTER PLATING		ALL THREADS MUST BE GROVED FORM CLASS 2 (SEE A01 SCALE PRINT)	
UNLESS OTHERWISE SPECIFIED THE FOLLOWING SPECIFICATIONS APPLY		FINISHES:		GMS (0.0001)	
RAND. SURFACE FINISH	TOLERANCES FRACTIONS ± 1/64	NONE			
HEAT TREAT	SECONDALS ± .01 ± .005	ENHANCED			
NONE	ANGULAR ± 90 ± 30	NONE		HL	HL
	DRY ANGLE ± 30				
GEOMETRIC SYMBOLS		THIS PRINT IS THE PROPERTY OF ABC AND IS LOANED TO YOU BY GENERAL SERVICES AND IS TO BE RETURNED TO THE ENGINEERING INFORMATION AND REPRODUCTION ONLY. GENERAL SERVICES HAS PATENT, COPYRIGHT, DESIGN, TRADE NAME, MANUFACTURE AND REPRODUCTION RIGHTS RESERVED.		SECT. C	
○ CONDUCTIVITY	∥ PARALLELISM			DRAWING, FINAL ASSY.	
∠ TRUE POSITION	∞ AMPLITUDE			TL-17	
∠ TANGENT	∠ SLOPE			SCALE FULL 7405218	
∠ PERPENDICULARITY				DATE 04/00	



7405218

REVISIONS				
DATE	BY	CHANGE	DATE	BY
01/17/00	EDW	REDRAWN UPON RELEASE BY GBC WITH CHANGES		

ITEM NO	DESCRIPTION	QTY.	COMMON	7405051 115V	7405061 230V
57	DECAL, SHOCK - GERMAN	1			6009147
56	DECAL-SHOCK LABEL	1	6009146		
55	DECAL-WARNING GUARDS	1	0480001300		
54	DECAL-ON/OFF SYMBOL	1	0480004100		
53	DECAL - WARNING (T/T CLOSER)	1	0480003800		
52	DECAL - TURN (T/T CLOSER)	1	0480003700		
51	DECAL-PANEL-CAUTION	1	0480002700		
50	DECAL - WARNING TL	1			6009289
49	DECAL - WARNING TL	1	0480009900		
48	DECAL-SIZE TL17	1	0480004400		
47	LABEL - GBC LOGO	1	6009029		
46	SSS K-CUP PT. 1/4-20X1/4	1	0751024000		
45	KNOB - PLASTIC KNURL	1	0750088000		
44	POINTER KNOB	1	0750088100		
43	SCREW PH10-32X1/25EAFOAM GREY	6	0753386000		
42	COVER-MOLDED	1	0117000600		
41	ROLL PIN 1/8 X 1	2	1929206		
40	DECAL-CAUTION FIRE	1	6009261		
39	DECAL - FUSE F10A, 250V	1	1963908		
38	LABEL-GROUND SCREW	1	1128416		
37	WIRE TIE	3	1932121		
36	CABLE CLAMP 1/2 DIA	3	1931014		
35	NUT WIRE 3573 73B	2 OR 3	0220216500	QTY = 2	QTY = 3
34	CONNECTOR STR RELF	1	0220133000		
33	WIRE KIT TL17	1	7406201		
32	STRAIN RELIEF - CORD	1	0220131000		
31	LINECORD WITH TERMINALS	1		9781348	9781347
30	SWITCH, PNEUMATIC F/ FOOT SWITCH	1	6202046		
29	SWITCH-ROCKER W/RED	1	0220011900		
28	SCRW PHILLIPS PNHD SEMS 6-32X1/2	2	1911121		
27	RELAY	1		7703261	7703017
26	SCRW PHILLIPS PNHD SEMS 6-32X1/2	6	1911111		
25	FUSE 10A ABC10	1	0220140000		
24	FUSE HOLDER	1	1154338		
23	SPRING EXTENSION	1	1935311		
22	CLOSING ASSEMBLY	1	0117030000		
21	HHCS 5/16-18 X 1-1/4 GR5 ZINC	2	1951973		
				<b>7405051 115V</b>	<b>7405061 230V</b>
				<b>PART NO.</b>	

20	SPACER - SMALL	1	0117000500		
19	SAFETY SPRING ASSEMBLY	1	0117010000		
18	FHCS 5/16-18 X 1 STAINLESS	6	0750870500		
17	CLUTCH SYSTEM ASSEMBLY	1		0117050000	0117150000
16	SSS BR TIP 1/4-20 X 1/2	1	0751406000		
15	SSS K-CUP PT. 1/4-20X1/2	1	0751033000		
14	CLUTCH - FIXED	1	0117002900		
13	NUT HEX 5/16-18 ZINC	8	1926706		
12	WASHER-LOCK 6N6	10	1925011		
11	FHCS 5/16-18 X 1-1/2 STAINLESS	8	0750871500		
10	MOTOR-GEAR 15:1 115/230V	1	0220008000		
9	WASHER .622 OD X .317ID X .680	8	0750412300		
8	HHCS 5/16-18X1/2 GR5 ZINC	4	0750518100		
7	BRACKET POWER CORD TL17	1	7405220		
6	BRACKET - SWITCH	1	0117000300		
5	FHCS 5/16-18X3/4	12	1900819		
4	BASE - CLOSING	1	0117000100		
3	TABLE	1	0480043000		
2	BUMPER-SELF ADHESIVE	6	0750180000		
1	PLATE-BASE	1	0117000200		
<b>ITEM NO</b>	<b>DESCRIPTION</b>	<b>QTY.</b>	<b>COMMON</b>	<b>7405051 115V</b>	<b>7405061 230V</b>
				<b>PART NO.</b>	

PRINT TO BE FREE OF BURRS, SHARP EDGES AND SHARP CORNERS. ALL DIMENSIONS AFTER PLATING. ALL THREADS MUST BE UNFED FORM CLASS 2 OR HIGHER SCALE POINT UNLESS OTHERWISE SPECIFIED. THE FOLLOWING SPECIFICATIONS APPLY.

MACHINE SURFACE FINISH	✓	UNLESS OTHERWISE SPECIFIED	MATERIAL	FINISH	DATE
HEAT TREAT	ADDRESS	ANGULAR ± 0° 30'	NONE	DATE	DATE
SCALE	DATE	DATE	DATE	DATE	DATE

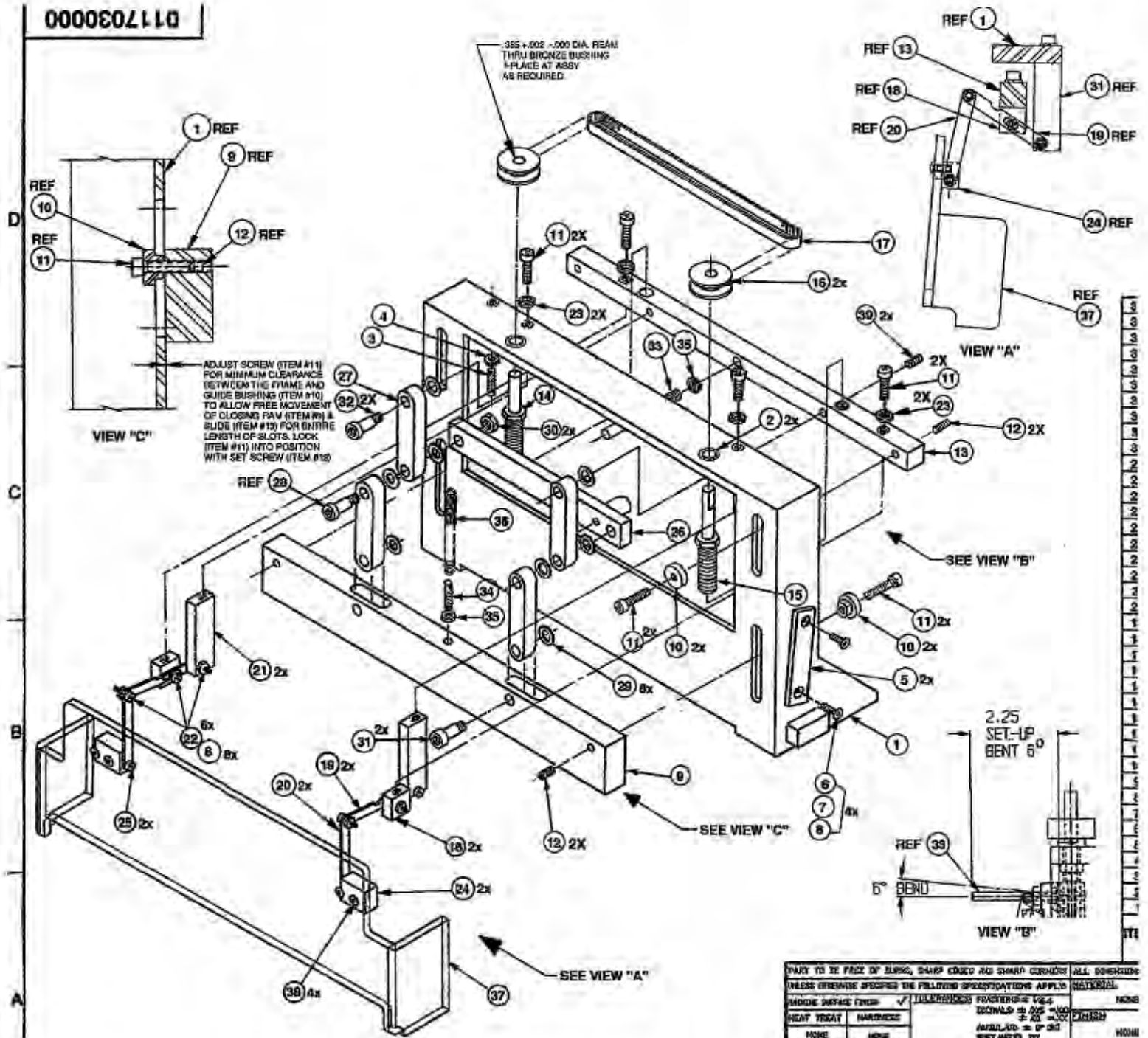
CONTOUR CITY     PARALLELISM  
 TRUE POSITION     ASYMMETRY  
 RUNOUT     FLATNESS  
 PERPENDICULARITY

THIS PRINT IS THE PROPERTY OF AND NOT TO BE REPRODUCED BY GENERAL. RETURN TO GBC. ALL DIMENSIONS UNLESS OTHERWISE SPECIFIED. ALL PARTS, PROFILES, ETC., USE SAE MANUFACTURING AND INSPECTION STANDARDS.

GBC  
 General Building Corporation  
 10000 10th Ave  
 Minneapolis, MN 55426

DRAWING, FINAL ASSY.  
 TL-17  
 SCALE FULL 7405218  
 DATE 01/17/00

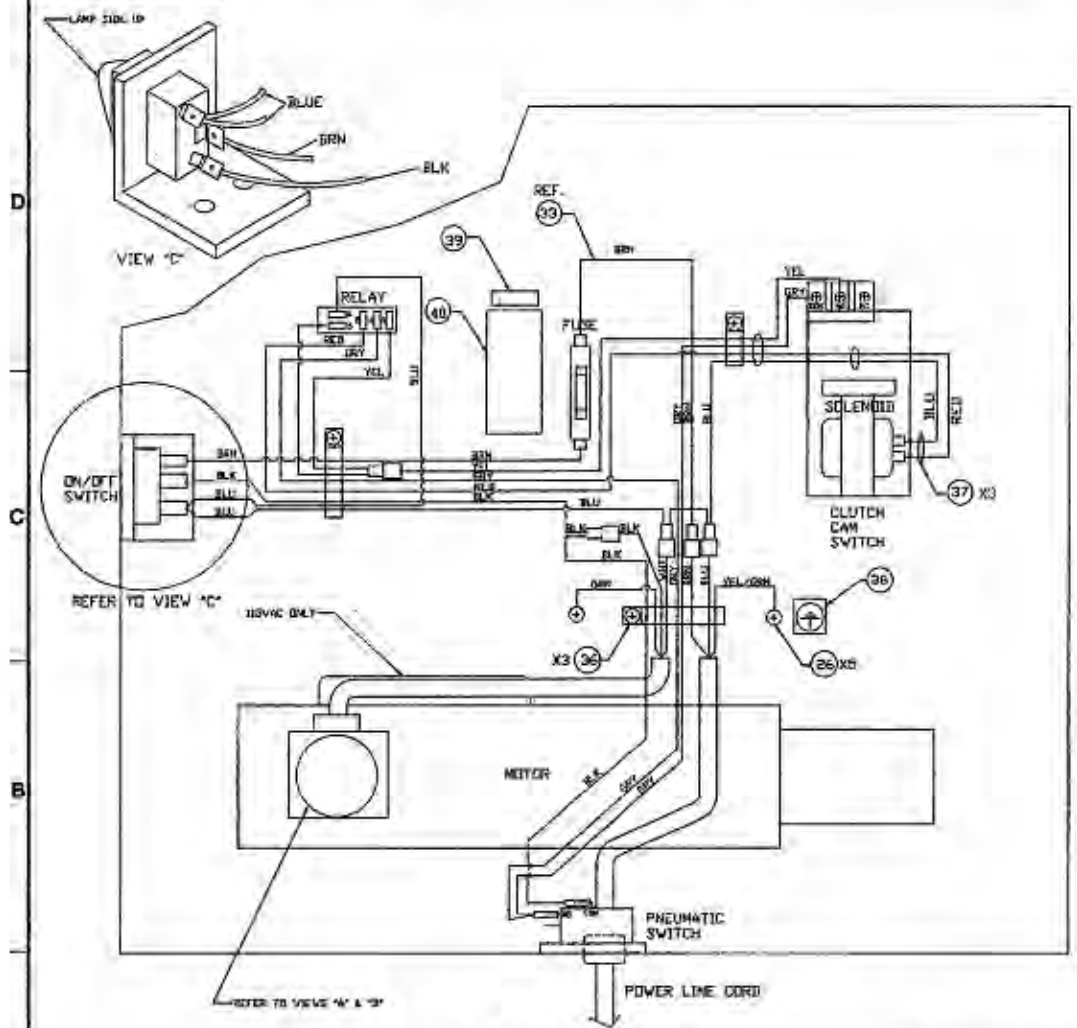
0117030000



39	0751035000	SSS K-CUP PT. 5/16-18 X 1/4	2
38	0750895300	BHCS 10-24 X 1/2 STA	4
37	0117003100	GUARD-ADJUSTABLE	1
36	0750031300	SPRING EXTENSION 3-1	1
35	1926602	NUT HEX JAM 1/4-20 ZINC	2
34	0750019700	SPRING ANCHOR 1/4-20	1
33	0110007500	SHAFT FOR POINTER C8	1
32	0750238300	SCREW SHOULDER 3/8 X 1/2 SPECIAL	2
31	0425082700	SHOULDER SCREW-MOD	2
30	0750307000	HEX NUT JAM 5/16-18"	2
29	0750196700	BRONZE WASHER TW-37	8
28	0750239300	SCREW SHOULDER 3/8 X 1	2
27	0117031300	LINK-PIVOT	4
26	0117031500	CROSS PIECE	1
25	0750714100	SHCS 10-24 X 1/2 STAINLESS	2
24	0117002700	BLOCK-PLEXIGLASS G	2
23	1926018	WASHER-LOCK 1/4 ZINC	4
22	0750714500	SHCS 10-24 X 3/4	6
21	0117002900	BLOCK-SUPPORT	2
20	0117002600	LINKAGE-LOWER	2
19	0117002500	LINKAGE-UPPER	2
18	0117002800	BLOCK-SLIDE	2
17	0750181200	BELT-TIMING	1
16	0117031600	PULLEY-TIMING-MO	2
15	0117031200	SCREW-ADJ.-R/H	1
14	0117031100	SCREW-ADJ.-L/H	1
13	0117031400	SLIDE	1
12	0751024000	SSS K-CUP PT. 1/4-20 X 1/4	4
11	0750722000	SHCS 1/4-20 X 1	8
10	0425091700	BUSHING-GUIDE	4
9	0426092000	RAM CLOSING	1
8	1926703	NUT HEX 10-24 ZINC	12
7	1926016	WASHER-LOCK-#10 ZINC	4
6	0750882000	FHCS 10-24 X 3/4	4
5	0117003000	GUIDE-GUARD	2
4	1926702	NUT HEX 10-32 ZINC	1
3	0750019300	SPRING ANCHOR 10-32	1
2	0485029000	BUSHING-BRONZE-3/8 ID	2
1	0117030100	FRAME-TYPE TOP	1
ITEM	PART No.	DESCRIPTION	QTY.

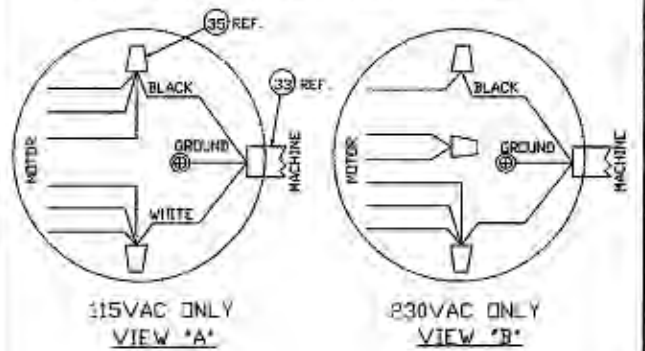
7405228

REVISIONS			
DATE	BY	CHANGE	DESCRIPTION
1/1/57			
1/1/57			
1/1/57			
1/1/57			
1/1/57			
1/1/57			



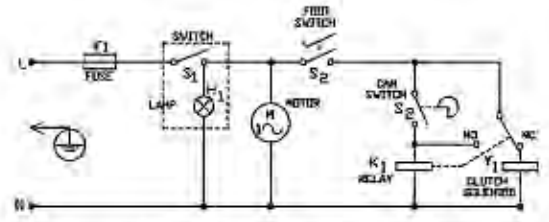
WIRING LAYOUT

CONNECT WIRE KIT, ITEM 33, TO MOTOR, ITEM 10, AS PER VOLTAGE SPECIFIC MOTOR MANUFACTURERS INSTRUCTIONS.



115VAC ONLY  
VIEW 'A'

230VAC ONLY  
VIEW 'B'



ELECTRICAL SCHEMATIC

NEW TL-17  
 BLACK COLOR

PART TO BE FREE OF BURRS, SHARP EDGES AND CHIPPY CORNERS		UNLESS OTHERWISE SPECIFIED THE FOLLOWING SPECIFICATIONS APPLY		ALL DIMENSIONS ARE TO PLATING		ALL DIMENSIONS MUST BE LIMITED FROM CLASS 2 (DO NOT SCALE PRINT)	
MACHINE SURFACE FINISH	WELDING	RECTIFIED & 200-3000	RECTIFIED & 200-3000	RECTIFIED & 200-3000	RECTIFIED & 200-3000	RECTIFIED & 200-3000	RECTIFIED & 200-3000
HEAT TREAT	HARDNESS	AVOIDANCE ± 0° 30'	AVOIDANCE ± 0° 30'	AVOIDANCE ± 0° 30'	AVOIDANCE ± 0° 30'	AVOIDANCE ± 0° 30'	AVOIDANCE ± 0° 30'
NONE	NONE	NONE	NONE	NONE	NONE	NONE	NONE
DIMENSIONAL SYMBOLS ○ CONCENTRICITY    // PARALLELISM ⊕ TIE POSITION        / ANGLE/CLINITY ⊖ RADIUS             □ FLATNESS ⊥ PERPENDICULARITY		THIS PRINT IS THE PROPERTY OF AND NOT TO BE REPRODUCED OR TRANSMITTED IN ANY FORM OR BY ANY MEANS, ELECTRONIC OR MECHANICAL, INCLUDING PHOTOCOPYING, RECORDING, OR BY ANY INFORMATION STORAGE AND RETRIEVAL SYSTEM.		ALL DIMENSIONS ARE TO PLATING ALL DIMENSIONS MUST BE LIMITED FROM CLASS 2 (DO NOT SCALE PRINT)		DBC General Building Corporation 10000 10th Street, S.W. Everett, WA 98203	
DRAWING, FINAL ASSY.		TL-17 (BLACK)		SCALE FULL		7405228	
ACAD DWG		6		PAGE 3		OF 3	



7405228

REVISIONS				
REV	E.C.N.	CHANGE	DATE	BY
A1		DISSEM RELEASE	12/16/88	DP

ITEM NO	DESCRIPTION	QTY.	COMMON	115V	230V
57	DECAL, SHOCK - GERMAN	1			6009147
56	DECAL-SHOCK LABEL	1	6009146		
55	DECAL-WARNING GUARDS	1	0480001300		
54	DECAL ON/OFF SYMBOL	1	0480004101		
53	DECAL - WARNING (T/T CLOSER)	1	0480003800		
52	DECAL - TURN	1	0480003701		
51	DECAL-PANEL-CAUTION	1	0480002700		
50	DECAL - WARNING TL	1			6009289
49	DECAL - WARNING TL	1	0480009900		
48	ELEMENT SIZE LBL., TL17	1	0480004401		
47	LABEL - GBC LOGO	1	6009343		
46	SSS K-CUP PT. 1/4-20X1/4	1	0751024000		
45	KNOB - PLASTIC KNURL	1	0750088000		
44	POINTER KNOB	1	0750088100		
43	SCREW PH10-32X1/2 BLACK	6	0753396100		
42	COVER-MOLDED BLACK	1	0117000601		
41	ROLL PIN 1/8 X 1	2	1929206		
40	DECAL-CAUTION FIRE	1	6009261		
39	DECAL - FUSE F10A, 250V	1	1963908		
38	LABEL-GROUND SCREW	1	1128416		
37	WIRE TIE	3	1932121		
36	CABLE CLAMP 1/2 DIA.	3	1931014		
35	NUT WIRE 3573 73B	2 OR 3	0220215500	QTY = 2	QTY = 3
34	CONNECTOR STR RELF	1	0220133000		
33	WIRE KIT TL17	1	7405201		
32	STRAIN RELIEF - CORD	1	0220131000		
31	LINECORD WITH TERMINALS	1		9781346	9781347
30	SWITCH, PNEUMATIC F/ FOOT SWITCH	1	6202046		
29	SWITCH-ROCKER WIRE	1	0220041900		
28	SCRW PHILLIPS PNHD SEMS 6-32X1/2	2	1911121		
27	RELAY	1		7703281	7703017
26	SCRW PHILLIPS PNHD SEMS 6-32X1/2	6	1911111		
25	FUSE 10A ABC10	1	0220140000		
24	FUSE HOLDER	1	1154338		
23	SPRING EXTENSION	1	1935311		
22	CLOSING ASSEMBLY	1	0117030000		
21	HHCS 5/16-18 X 1-1/4 GR5 ZINC	2	1951973		
<b>ITEM NO</b>	<b>DESCRIPTION</b>	<b>QTY.</b>	<b>COMMON</b>	<b>115V</b>	<b>230V</b>

20	SPACER - SMALL	1	0117000500		
19	SAFETY SPRING ASSEMBLY	1	0117010000		
18	FHCS 5/16-18 X 1 STAINLESS	6	0760870800		
17	CLUTCH SYSTEM ASSEMBLY	1		0117050000	0117150000
16	SSS BR TIP 1/4-28 X 1/2	1	0751405000		
15	SSS K-CUP PT. 1/4-28X1/2	1	0761033000		
14	CLUTCH - FIXED	1	0117002000		
13	NUT HEX 5/16-18 ZINC	8	1926706		
12	WASHER-LOCK 5/16	10	1926011		
11	FHCS 5/16-18 X 1-1/2 STAINLESS	8	0760871500		
10	MOTOR-GEAR 15:1 115/230V	1	0220008000		
9	WASHER .822 OD X .317ID X .080	8	0750412300		
8	HHCS 5/16-18X1/2 GR5 ZINC	4	0750519100		
7	BRACKET POWER CORD TL17	1	7405220		
6	BRACKET - SWITCH	1	0117000300		
5	FHCS 5/16-18X3/4	12	1900619		
4	BASE - CLOSING	1	0117000100		
3	TABLE (BLACK)	1	0480043001		
2	BUMPER-SELF ADHESIVE	6	0760180000		
1	PLATE-BASE	1	0117000200		
<b>ITEM NO</b>	<b>DESCRIPTION</b>	<b>QTY.</b>	<b>COMMON</b>	<b>7405052 115V</b>	<b>7405062 230V</b>
				<b>PART NO.</b>	

PART TO BE FREE OF BURRS, SHARP EDGES AND SHARP CORNERS. ALL DIMENSIONS AFTER PLATING. ALL THREADS MUST BE EMPLOYED FROM CLASS D. DO NOT SCALE PRINT.

UNLESS OTHERWISE SPECIFIED THE FOLLOWING SPECIFICATIONS APPLY:

MATERIAL	NONE	FINISH	NONE
WASHER SURFACE FINISH	✓ TELESCOPIC FRACCTIONS-4 U.S.A.	SCREW & NUT	ENGLISH
HEAT TREAT	HARDNESS	ANGULAR & 0° SC	NONE
NONE	NONE	IDENT. MARKS	NONE

GEOMETRIC SYMBOLS

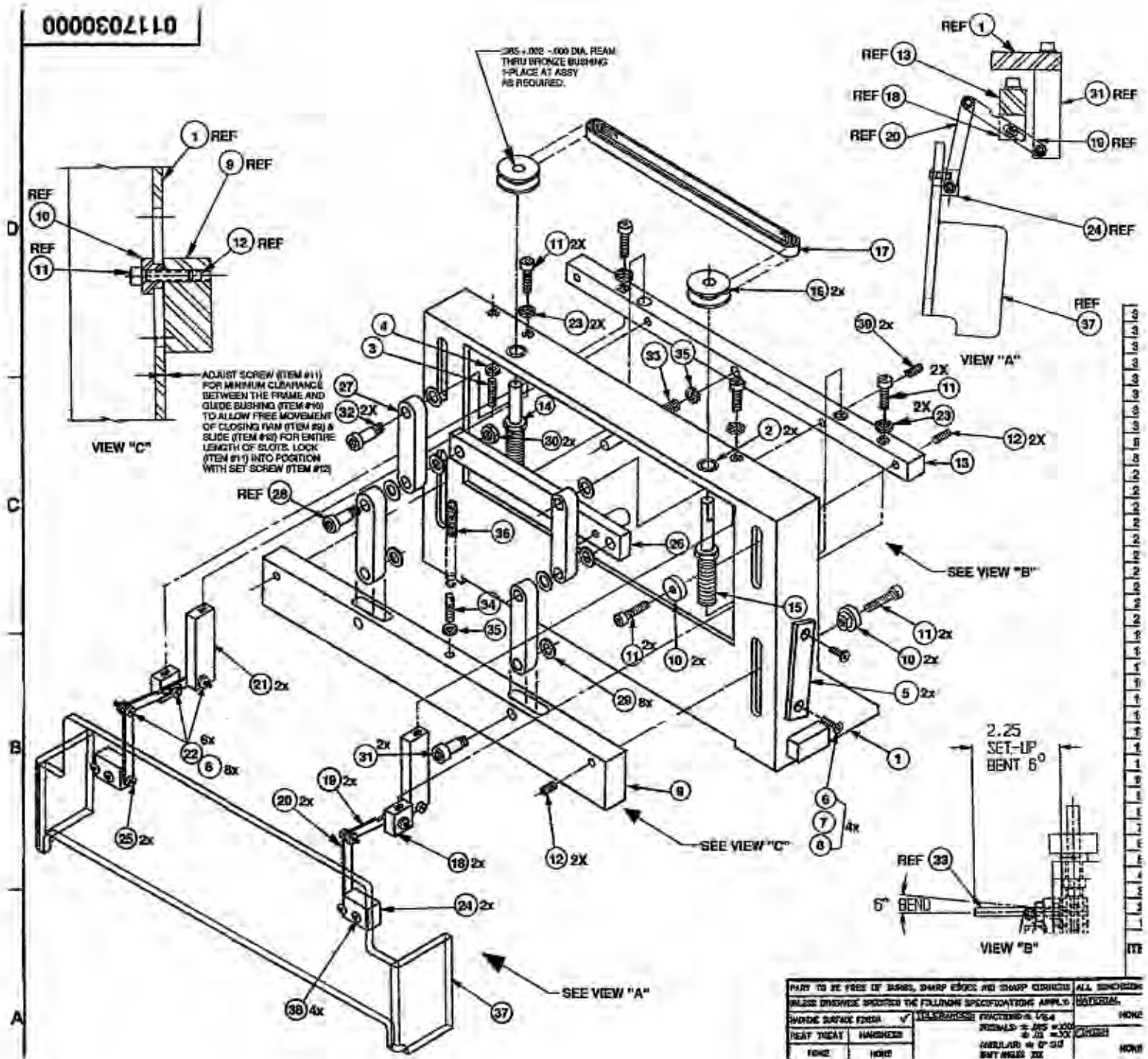
○ CONCENTRICITY // PARALLELISM  
 ⊕ TRUE POSITION < ANGLE  
 ⊙ RUNOUT ⊕ FLATNESS  
 ⊥ PERPENDICULARITY

THIS PRINT IS THE PROPERTY OF AMV AND ORIGINATED BY LEONIE. BRING UP: THIS IS FORWARDED FOR INQUIRY, INFORMATION AND REFERENCE ONLY. SACS/ST/CS ALL PRINTS, PREPARED, DESIGN (SEE SPEC. MANUFACTURING AND RETRACTED RIGHTS THEREIN)

**GBC** General Quality Corporation  
 10000 11th Avenue, S.W.  
 Seattle, WA 98148

**DRAWING, FINAL ASSY.  
 TL-17, BLACK**

SCALE: FULL SIZE  
 7405228  
 ACAD DWG6



39	0751035000	SSS K-CUP PT. 5/16-18 X 1/4	2
38	0750995900	BHCS 10-24 X 1/2 STA	4
37	0117003100	GUARD-ADJUSTABLE	1
36	0750031300	SPRING EXTENSION 3-1	1
35	1926602	NUT HEX JAM 1/4-20 ZINC	2
34	0750019700	SPRING ANCHOR 1/4-20	1
33	0110007500	SHAFT FOR POINTER C8	1
32	0750238300	SCREW SHOULDER 3/8 X 1/2 SPECIAL	2
31	0425092700	SHOULDER SCREW-MOD	2
30	0750307000	HEX NUT JAM 5/16-18"	2
29	0750196700	BRONZE WASHER TW-37	8
28	0750239900	SCREW SHOULDER 3/8 X 1	2
27	0117031300	LINK-PIVOT	4
26	0117031500	CROSS PIECE	1
25	0750714100	SHCS 10-24 X 1/2 STAINLESS	2
24	0117002700	BLOCK-FLEXIGLASS G	2
23	1926018	WASHER-LOCK 1/4 ZINC	4
22	0750714500	SHCS 10-24 X 3/4	6
21	0117002900	BLOCK-SUPPORT	2
20	0117002600	LINKAGE-LOWER	2
19	0117002500	LINKAGE-UPPER	2
18	0117002800	BLOCK-SLIDE	2
17	0750161200	BELT-TIMING	1
16	0117031600	PULLEY-TIMING-MO	2
15	0117031200	SCREW-ADJ.-R/H	1
14	0117031100	SCREW-ADJ.-L/H	1
13	0117031400	SLIDE	1
12	0751024000	SSS K-CUP PT. 1/4-20 X 1/4	4
11	0750722000	SHCS 1/4-20 X 1	8
10	0425091700	BUSHING-GUIDE	4
9	0426092000	RAM CLOSING	1
8	1926703	NUT HEX 10-24 ZINC	12
7	1926016	WASHER-LOCK-#10 ZINC	4
6	0750862000	FHCS 10-24 X 3/4	4
5	0117003000	GUIDE-GUARD	2
4	1926702	NUT HEX 10-32 ZINC	1
3	0750019900	SPRING ANCHOR 10-32	1
2	0485029000	BUSHING-BRONZE-3/8 ID	2
1	0117030100	FRAME-TYPE TOP	1
ITEM	PART No.	DESCRIPTION	QTY.

P6.2