



TL 12 Parts List



GBC IS AN ACCO BRANDS COMPANY

Figure 4

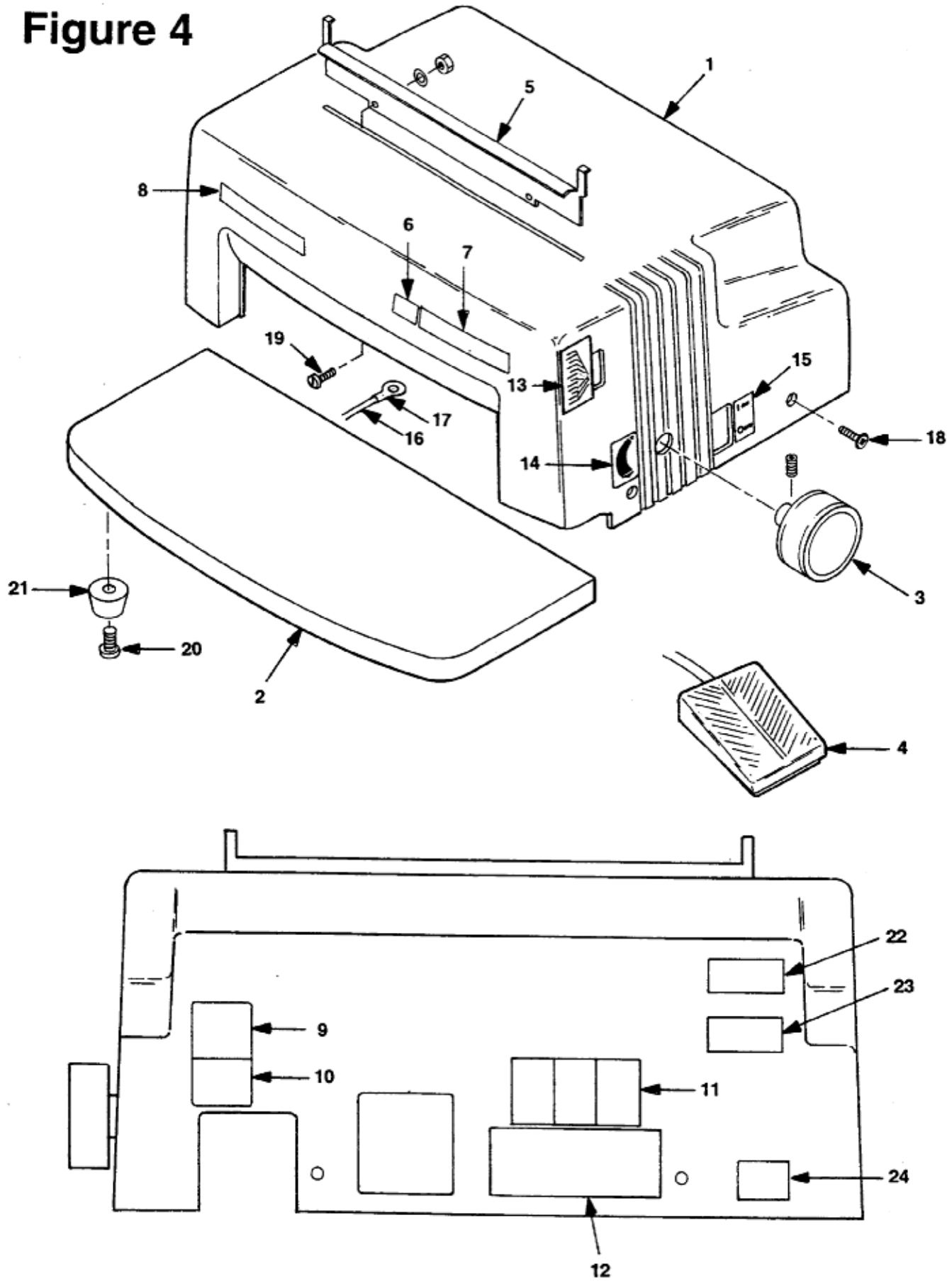


Figure 4 PARTS LIST

ITEM NO.	GBC/AFD 10 Digit PART NO.	DESCRIPTION	QUANTITY REQUIRED
1	0112005000	Cover	1
2	0480043500	Table	1
3	0750088000	Adjustment Knob	1
4	0220016100	Foot Switch	1
5	0112002100	Element Hanger	1
6	0480010100	Warning Label / Shock Hazard	1
7	0480009900	Warning Label / Safety	1
8	0480009600	Label / TL 12 Logo	1
9	0480002900	Caution Label / Fire Hazard	1
10	0480005700	Label / Fuse Rating 2.5A (For 230VAC only)	1
	0480002300	Label / Fuse Rating 5A (For 115VAC only)	1
11	0480010200	Warning Label	1
12	0480002400	Warning Label / Shock Hazard	1
13	0480009700	Label / Size Indicator	1
14	0480009800	Label / Arrow for Adjustment Knob	1
15	0480004100	Label / Power "ON" "OFF"	1
16	0220114500	Ground Wire, Green 16 AWG	1
17	0220172000	Stakon, Female	1
18	0753396000	Screw, Phillips, Light Grey	6
19	0750710500	SHCS #8 - 32 x 3/8"	2
20	0075093700	BHCS 10-32 x 1/4"	4
21	0750179500	Bumper	4
22	0480007300	Label / FCC (GBC #6009106) (For 115VAC only)	1
23	0480007400	Label / DOC (GBC #6009247) (For 115VAC only)	1
24	0480000400	Label / ESA (GBC #6009078) (For 115VAC only)	1

Figure 5

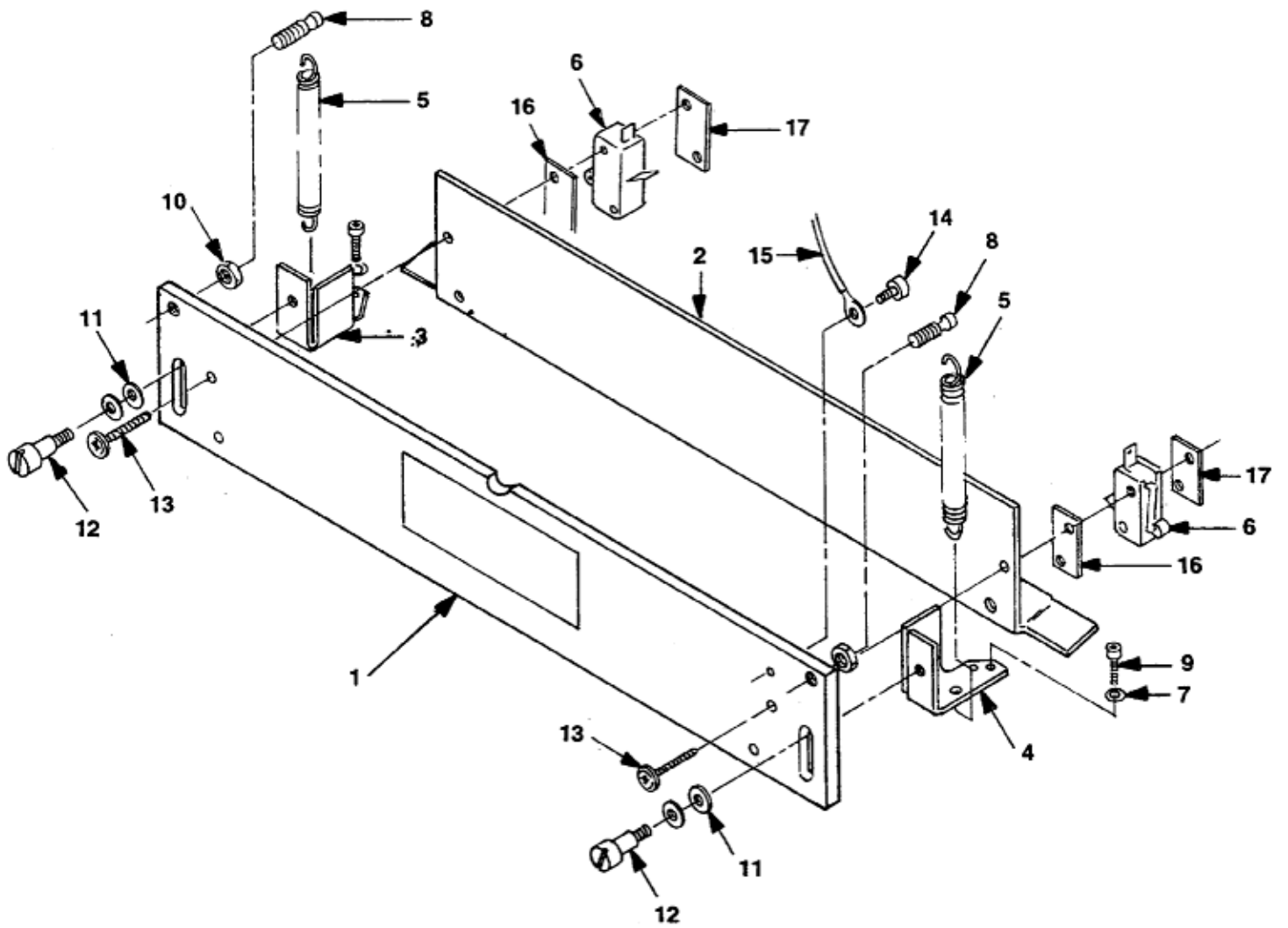


Figure 5 PARTS LIST

ITEM NO.	GBC/AFD 10 Digit PART NO.	DESCRIPTION	QUANTITY REQUIRED
1	0480060600	Safety Shield	1
2	0112002300	Ram Guard	1
3	0112000300	Shield Bracket, Left Hand	1
4	0112000200	Shield Bracket, Right Hand	1
5	0750042500	Extension Spring	2
6	0220016400	Limit Switch	2
7	0750402000	Lock Washer, #6	4
8	0750019000	Spring Anchor	1
9	0750706500	SHCS 6 - 32 x 3/8"	4
10	0750300500	Hex Nut, 10 - 32	4
11	0750405300	Washer	4
12	0750227700	Shoulder Screw, 3/16" Dia. X 5/16"	2
13	0753395600	Screw, Light Grey	4
14	0750706500	SHCS 6 - 32 x 3/8"	1
15	0220114600	Ground Wire	1
16	0112002900	Insulation	2
17	0220013400	Nut Plate	2

Figure 6

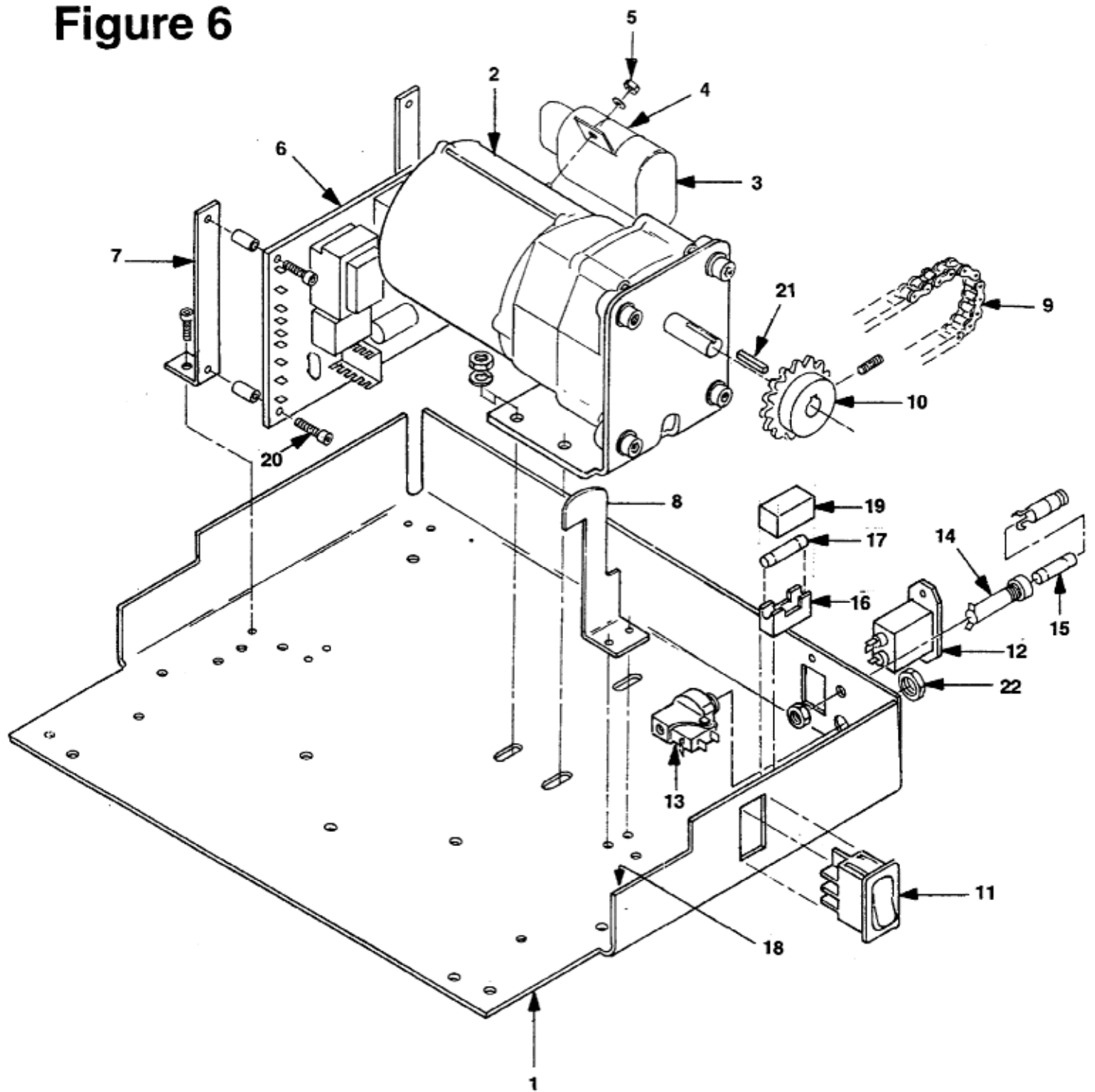


Figure 6 PARTS LIST

ITEM NO.	GBC/AFD 10 Digit PART NO.	DESCRIPTION	QUANTITY REQUIRED
1	0112000100	TL 12 Base	1
2	0220008500	Motor With Capacitor (115VAC only)	1
	0220008700	Motor (230VAC only)	
3	0220008800	Capacitor 6MF (For 230VAC only)	1
4	0220009000	"C" Bracket (For 115VAC only)	1
5	0750351000	Hex Nut M4 (For 230VAC only)	2
6	0220064500	Microprocessor Board (115VAC only)	1
	0220064600	Microprocessor Board (230VAC only)	
7	0112000700	Control Bracket	2
8	0112000800	Chain Guide	1
9	0750099500	Roller Chain	1
	0750099700	Chain Master Link	1
10	0487032800	Sprocket	1
11	0220011300	Rocker Switch	1
12	0220117200	Power Line Filter	1
13	0220015900	Pneumatic Switch	1
14	0220152500	Fuse Holder (230VAC only)	1
	0220153000	Fuse Holder (115VAC only)	1
15	0220142500	Fuse, 5A (115VAC only)	1
	0220142400	Fuse, 2.5A (230VAC only)	1
16	0220149500	Fuse Block	1
17	0220144100	Fuse, 1/32 Amp USE 0220140700 100MA	1
18	0480007700	Label / Fuse Rating 1/32 Amp	1
19	0220149000	Fuse Block Cover	1
20	0750707500	SHCS 6 - 32 x 3/4"	4
21	0512150400	Key 3/16 x 3/16 x 3/4"	1
22	0750315000	Hex Nut 1/2 x 20	1
	P/N 6200001	115VOLT POWER CORD	
	P/N 6200014	POWER CORD U.K.	
	P/N 6200015	POWER CORD SWITZ.	

Figure 7

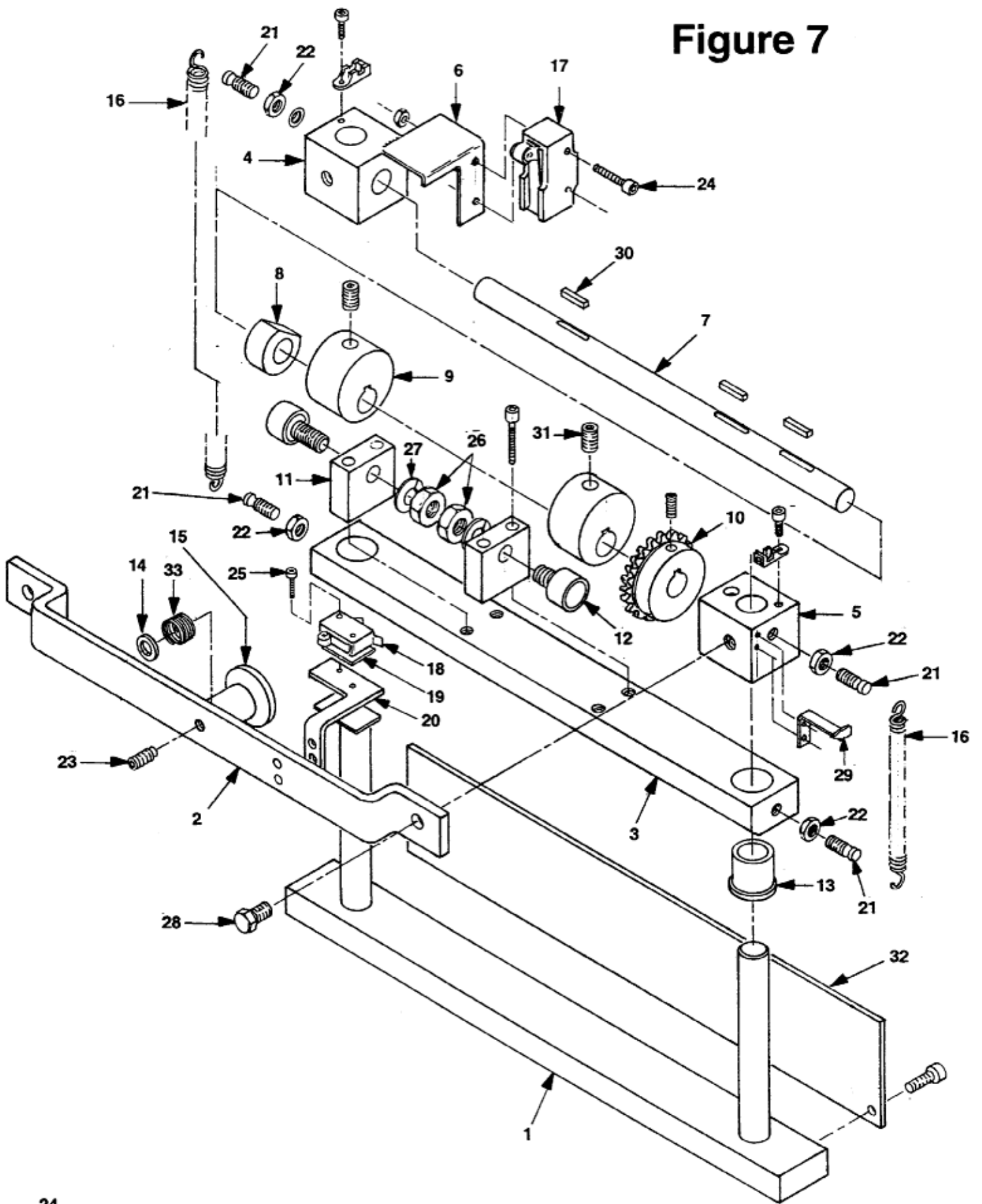


Figure 7 PARTS LIST

ITEM NO.	GBC/AFD 10 Digit PART NO.	DESCRIPTION	QUANTITY REQUIRED
1	0112000400	Stand and Base Assembly	1
2	0112001200	Bracket Weldment	1
3	0112000500	Closing Ram	1
4	0112002200	Slide, Left Hand	1
5	0112001100	Slide, Right Hand	1
6	0112000900	Switch Weldment	1
7	0112001800	Shaft, Eccentric	1
8	0112001700	Actuator - Switch	1
9	0112001400	Eccentric	2
10	0487032700	Sprocket	1
11	0112000600	Camfollower Support	2
12	0485080800	Camfollower	2
13	0485033500	★ NEED TO ORDER ITEM #3 - SEE NOTE BELOW	
14	0112002700	Spacer	1
15	0112003000	Brake Assembly	1
16	0750041700	Extension Spring	2
17	0220016200	Limit Switch	1
18	0220016400	Limit Switch	1
19	0112002900	Insulation 1	1
20	0112002400	Brake Switch Bracket	1
21	0750019000	Spring Anchor #10 - 32	4
22	0750300500	Hex Nut #10 - 32	4
23	0751405700	SSS 5/16 - 18 x 3/8 Brass Tip	1
24	0750704100	SHCS #4 - 40 x 3/4 Stainless	2
25	0750706500	SHCS #6 - 32 x 3/8	16
26	0750313000	Jam Nut, Hex 7/16 - 20	2
27	0750418500	Lock Washer 7/16 I.D.	2
28	0750519100	HHCS 5/16 - 18 x 1/2	2
29	0112002000	Pointer	1
30	0512150400	Key 3/16 x 3/16 x 3/4	3
31	0751026000	SSS 1/4 - 20 x 3/8	2
32	0112001300	Back Plate	1
33	0750038500	Compression Spring	1

★ BUSHING SHRINKS WHEN PRESSED IN. NEEDS TO BE REAMED.

ITEM #3 COMES WITH BOTH BUSHINGS PRESSED IN.

Figure 8

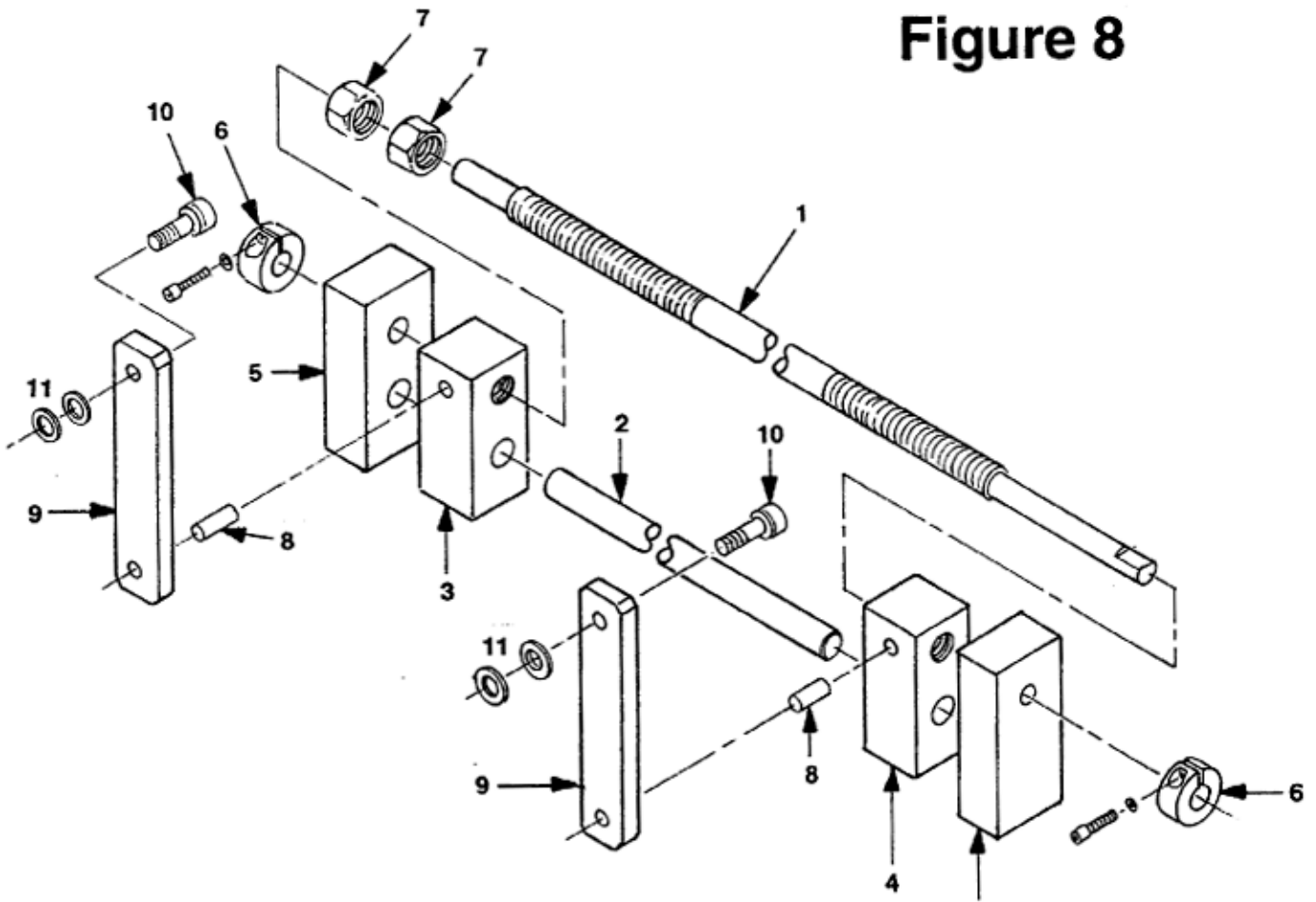


Figure 8 PARTS LIST

ITEM NO.	GBC/AFD 10 Digit PART NO.	DESCRIPTION	QUANTITY REQUIRED
1	0112010100	Adjustment Screw	1
2	0112010200	Axle	1
3	0112010300	Adjustment Nut, Left Hand	1
4	0112010400	Adjustment Nut, Right Hand	1
5	0112010500	Shaft Support	2
6	0750001000	Clamp Collar 3/8 I.D.	2
7	0750313500	Hex Nut 1/2 - 13	2
8	0750264500	Dowel Pin	2
9	0112001900	Adjustable Link	2
10	0112001000	Shoulder Screw, Modified	2
11	0750196700	Bronze Washer	4