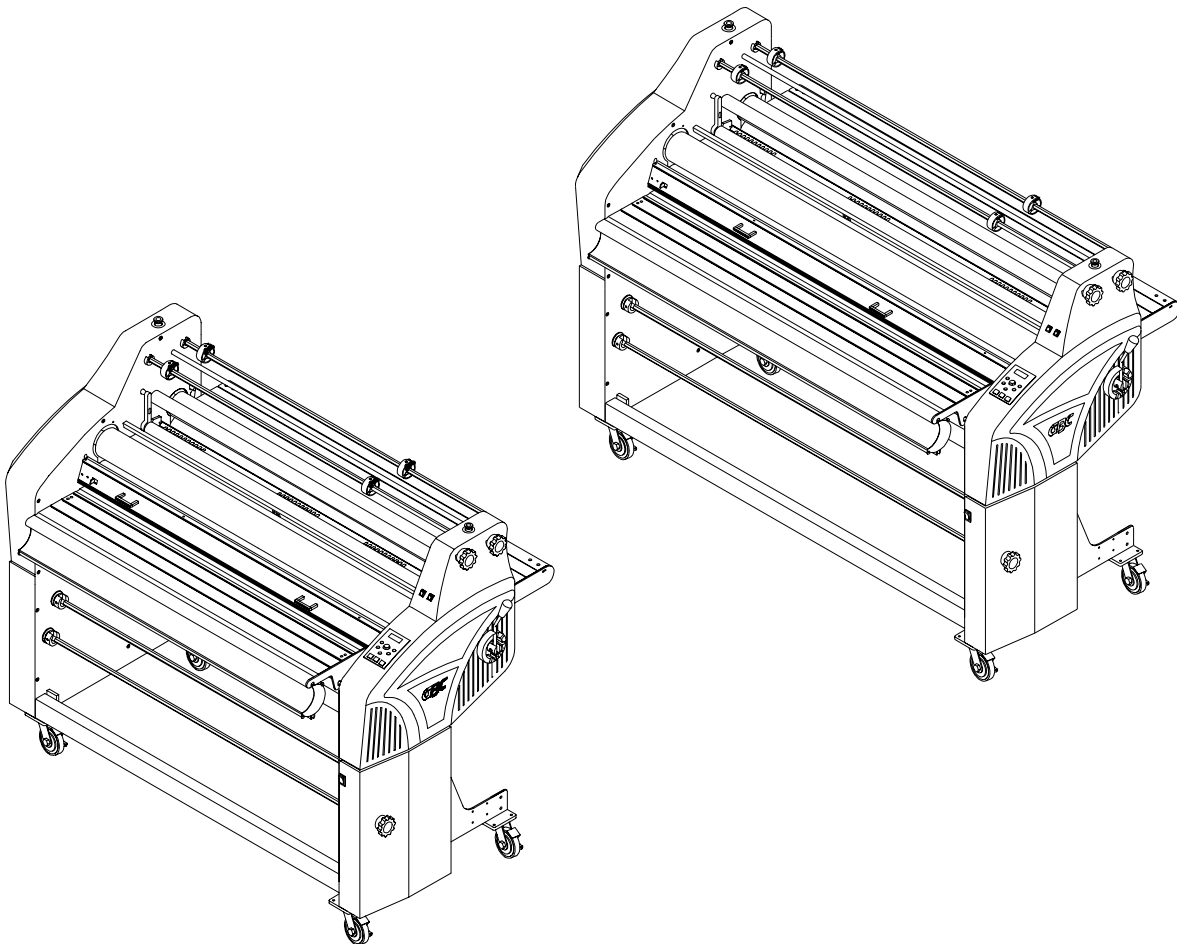


# GBC TALON 44/ 64

## OPERATION AND MAINTENANCE MANUAL



Operating Instructions

- Ⓡ Istruzioni per l'Usò
- ⓓ Bedienungsanleitungen
- ⓃL Gebruiksaanwijzing
- ⓕ Mode d'Emploi
- ⓔ Manual de Operación

PART NUMBER: 930-097 (PRELIMINARY)



The information in this publication is provided for reference and is believed to be accurate and complete. General Binding Corporation (GBC) is not liable for errors in this publication or for incidental or consequential damage in connection with the furnishing or use of the information in this publication, including, but not limited to, any implied warranty of fitness or merchantability for any particular use.

GBC reserves the right to make changes to this publication and to the products described in it without notice. All specifications and information concerning products are subject to change without notice.

Reference in this publication to information or products protected by copyright or patent does not convey any license under the rights of GBC or others. GBC assumes no liability arising from infringements of patents or any other rights of third parties.

This publication is copyrighted © 2003 by GBC. All rights reserved. The information contained in this publication is proprietary and may not be reproduced, stored, transmitted, or transferred, in whole or in part, in any form without the prior and express written permission of GBC.

## I

Le informazioni contenute in questo documento sono fornite a titolo di riferimento e sono considerate corrette e complete. General Binding Corporation (GBC) non si responsabilizza di eventuali errori contenuti in questo documento, né di danni incidentali o conseguenti relazionati con la fornitura e l'uso delle informazioni in questo documento, includendo senza limitazioni qualsiasi garanzia d'idoneità o commerciabilità per qualsiasi uso particolare.

GBC si riserva il diritto di effettuare cambi a questo documento e ai prodotti in esso descritti senza preavviso. Tutte le specifiche e le informazioni sui prodotti sono soggette a cambio senza preavviso.

In questo documento le referenze a informazioni e prodotti protetti da diritti di proprietà intellettuale o brevetti non trasferiscono nessuna licenza alla quale abbiano diritto GBC o altri. GBC non assume nessuna responsabilità derivante dalla violazione di brevetti o di qualsiasi altro diritto di terzi.

Copyright © 2003 Questo documento è soggetto ai diritti di proprietà intellettuale di GBC. Riservati tutti i diritti. Le informazioni contenute in questo documento sono di proprietà esclusiva e non possono essere riprodotte, conservate, trasferite, in tutto o in parte ed in modo alcuno, senza la previa autorizzazione espressa e per iscritto di GBC.

## D

Die Informationen in dieser Druckschrift werden als Richtlinien zur Verfügung gestellt und sind unseres Wissens richtig und vollständig. General Binding Corporation (GBC) lehnt jede Haftung für Fehler in dieser Druckschrift sowie für Schadenersatz oder Folgeschäden im Zusammenhang mit der Bereitstellung oder Verwendung der hierin enthaltenden Informationen ab, ein- aber nicht ausschließlich die Gewährleistung für Eignung und handelsübliche Qualität für einen bestimmten Zweck.

GBC behält sich das Recht vor, diese Druckschrift und die darin beschriebenen Produkte ohne Vorankündigung zu ändern. Alle die Produkte betreffenden Leistungsbeschreibungen und Informationen können jederzeit ohne Vorankündigung geändert werden.

Durch die Bezugnahmen in dieser Druckschrift auf urheberrechtlich oder durch ein Patent geschützte Informationen oder Produkte werden keine Rechte von GBC oder Dritten übertragen. GBC lehnt jede Haftung für Patentverletzungen sowie für die Verletzung anderer Rechte von Dritten ab.

Diese Druckschrift ist durch GBC urheberrechtlich geschützt (© 2003). Alle Rechte vorbehalten. Die Informationen in dieser Druckschrift sind gesetzlich geschützt und dürfen ohne vorherige und ausdrückliche schriftliche Genehmigung von GBC in keiner Weise weder ganz noch teilweise vervielfältigt, aufbewahrt, weiter verbreitet oder übertragen werden.

## NL

De informatie in deze publicatie geldt slechts ter verwijzing en wordt nauwkeurig en volledig geacht. General Binding Corporation (GBC) is niet aansprakelijk voor fouten in deze publicatie of voor incidentele of voortvloeiende schade in verband met het verschaffen of gebruik van de informatie in deze publicatie, inclusief, maar niet beperkt tot stilzwijgende garanties van geschiktheid voor een bepaald doel of verkoopbaarheid.

GBC behoudt zich het recht voor om zonder voorafgaande kennisgeving wijzigingen te maken in deze publicatie en in de producten die hierin worden beschreven. Alle specificaties en informatie m.b.t. producten kunnen zonder voorafgaande kennisgeving gewijzigd worden.

Verwijzingen in deze publicatie naar informatie of producten beschermd door copyrights of patenten houdt geen licenties onder de rechten van GBC of anderen in. GBC is niet aansprakelijk voor schendingen van patenten of andere rechten van derden.

De publicatie is auteursrechtelijk beschermd, copyright © 2003 door GBC. Alle rechten voorbehouden. De informatie in deze publicatie is eigendom van GBC en mag niet verveelvuldigd, opgeslagen, overgebracht of overgedragen worden, geheel of gedeeltelijk, in welke vorm dan ook zonder voorafgaande en uitdrukkelijke schriftelijke toestemming van GBC.

## F

L'information contenue dans cette publication est fournie à titre de référence et elle est considérée exacte et complète. General Binding Corporation (GBC) n'est pas responsable des erreurs contenues dans cette publication ni des dommages indirects ou consécutifs portant sur l'utilisation ou la présentation de l'information de ce document, y compris, mais sans s'y limiter, toute garantie implicite de commercialité ou d'adaptation à un usage particulier.

GBC se réserve le droit d'apporter des modifications à cette publication et aux produits qui y sont décrits sans préavis. Toutes les spécifications et l'information au sujet des produits sont sujettes à changements sans préavis.

Toute référence à l'information ou aux produits protégés par un droit d'auteur ou un brevet présentée dans ce document ne porte aucune licence sous les droits de GBC ou d'autres parties. GBC n'assume aucune responsabilité découlant de contraventions aux brevets ou à tout autre droit de tierces parties.

Cette publication est protégée par un droit d'auteur © 2003 de GBC. Tous droits réservés L'information contenue dans cette publication est privative et ne peut pas être reproduite, mise en mémoire, transmise ou transférée, en partie ou en entier, sous quelque forme que ce soit sans la permission écrite préalable et expresse de GBC.

## E

La información contenida en esta publicación es proporcionada a título de referencia y se considera que es precisa y completa. General Binding Corporation (GBC) no es responsable por errores contenidos en esta publicación o por daños consecuentes o incidentales relacionados con la disponibilidad o el uso de la información en esta publicación, incluyendo y sin limitarse a, cualquier garantía de aptitud y comerciabilidad para cualquier uso específico.

GBC se reserva el derecho de hacer cambios en esta publicación y a los productos descritos en la misma sin aviso previo. Todas las características y la información referente a los productos, están sujetas a cambios sin aviso previo.

Las referencias en esta publicación a información o productos protegidos por derechos de propiedad intelectual o por patentes no otorga ninguna licencia amparada por los derechos de GBC u otros. GBC no asume ninguna responsabilidad que se derive de la violación de patentes u otros derechos de terceras partes.

Copyright © 2003 Esta publicación está amparada por derechos de propiedad intelectual de GBC. Todos los derechos reservados. La información contenida en este documento es de propiedad exclusiva y no puede reproducirse, almacenarse, transmitirse o transferirse, en su totalidad o en partes, y de ninguna manera, sin la autorización previa y por escrito de GBC.

## TABLE OF CONTENT

Cover	1
Blank page	2
Disclaimer	3
Table of Content	4
Important Safety Instructions	8
Important Safeguards	10
General	10
Electrical	10
Service	10
Warranty	12
Specifications	14
Talon 44	14
Talon 64	16
Pre-Installation	18
Installation	20
Control Guide	22
Power ON/ OFF	22
Control Panel Display	22
Control Panel	22
Rewinder Selection Switch	24
Upper Rewinder Direction Switch	26
Lower Rewinder Direction Switch	26
Rear Control Switch	26
Foot SW Enable	26
Features Guide	
E-Stop	28
Safety Shield Interlock Latch	28
Safety Shield	28
Feed Table	28
Heat Rollers	28
Pull Rollers	28
Roller Handle	30
Idler Bar	30
Chill Idler	30
Cooling Fans	30
Film Shaft	30
Lower Shaft Lock	30
Rewind Shaft	30
Rewind Tube	30
Unwind/ Rewind Tension	32
Core Adaptors	32
Rewind Adaptors	32
Rear Table	32
Rear Slitter	32
Film Web	32
Nip Point	32
Foot Switch	32
Print Unwind Basket	32
Options	32
Separator Bar	32
Rewind Kit	32

--	--	--

Operating Instructions	34
Film Loading and Threading	34
Load a Roll of Film	34
Loading Top Thermal Film	36
Loading Top PSA Film	36
Loading Top Mount Adhesive	38
Loading Bottom Thermal Film	38
Loading Bottom PSA Film	40
Loading Bottom Mount Adhesive	40
Threading Card Procedure	42
Start Laminating	44
Tacking New Film To Existing Film	46
To Unweb The Laminator	48
Clearing A Film Jam	48
Applications	50
Pre-Coating Boards	50
Using Rear Rollers	50
Mounting Pre-Coated Boards	50
Single Sided Lamination	52
Creating a Decal	52
Mounting a Decal	52
PSA Encapsulation	54
Thermal Encapsulation	54
Accushiled	54
Speed / Temperature Guide	56
Chart °F	56
Chart °C	56
The Art Of Lamination	58
Basic Rules	58
Film Tension	58
Heat	60
Output	60
Maintenance	62
Caring for the Talon 44/64	62
Troubleshooting Guide	64
Service Agreement	64

NL

F

E


--	--	--

## IMPORTANT SAFETY INSTRUCTIONS

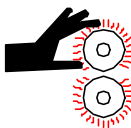
**YOUR SAFETY AS WELL AS THE SAFETY OF OTHERS IS IMPORTANT TO GBC. IN THIS INSTRUCTION MANUAL AND ON THE PRODUCT, YOU WILL FIND IMPORTANT SAFETY MESSAGES REGARDING THE PRODUCT. READ THESE MESSAGES CAREFULLY. READ ALL OF THE INSTRUCTIONS AND SAVE THESE INSTRUCTIONS FOR LATER USE.**

**⚠ THE SAFETY ALERT SYMBOL PRECEDES EACH SAFETY MESSAGE IN THIS INSTRUCTION MANUAL. THE SYMBOL INDICATES A POTENTIAL PERSONAL SAFETY HAZARD TO YOU OR OTHERS, AS WELL AS PRODUCT OR PROPERTY DAMAGE.**

**THE FOLLOWING WARNINGS ARE FOUND UPON THIS PRODUCT.**

⚠ ADVERTENCIA	⚠ ATTENTION		⚠ WARNING
Riesgo de choque eléctrico. No abra. Adentro no hay piezas reparables por el usuario. Mantenimiento solamente por personal calificado.	Risque de choc électrique. Ne pas ouvrir. Pas de pièces réparables par l'utilisateur. Entretien seulement par personnel qualifié.		Electrical shock hazard. Do not open. No user serviceable parts inside. Refer servicing to qualified service personnel.

**THIS SAFETY MESSAGE MEANS THAT YOU COULD BE SERIOUSLY HURT OR KILLED IF YOU OPEN THE PRODUCT AND EXPOSE YOURSELF TO HAZARDOUS VOLTAGE.**

⚠ ADVERTENCIA	⚠ ATTENTION		⚠ CAUTION
RODILLOS CALIENTES. PUNTO DE PINCHAMIENTO. Mantener manos y ropa a distancia.	ROULEAUX CHAUDS. POINT DE PINCEMENT. Tenir mains et vêtements à l'écart.		HOT ROLLS. PINCH POINT. Keep hands and clothing away.

**THIS SAFETY MESSAGE MEANS THAT YOU COULD BE BURNED AND YOUR FINGERS AND HANDS COULD BE TRAPPED AND CRUSHED IN THE HOT ROLLERS. CLOTHING, JEWELRY AND LONG HAIR COULD BE CAUGHT IN THE ROLLERS AND PULL YOU INTO THEM.**

⚠ ADVERTENCIA	⚠ ATTENTION		⚠ CAUTION
NAVAJA FILOSA. Mantener manos y dedos a distancia.	LAME COUPANTE. Tenir mains et doigts à l'écart.		SHARP BLADE. Keep hands and clothing away.

**THIS SAFETY MESSAGE MEANS THAT YOU COULD CUT YOURSELF IF YOU ARE NOT CAREFUL.**

**⚠ WARNING: THE SAFETY ALERT SYMBOL PRECEDES EACH SAFETY MESSAGE IN THIS INSTRUCTION MANUAL. THE SYMBOL INDICATES A POTENTIAL PERSONAL SAFETY HAZARD TO YOU OR OTHERS, AS WELL AS PRODUCT OR PROPERTY DAMAGE.**

**⚠ WARNING: DO NOT ATTEMPT TO SERVICE OR REPAIR THE TALON 44/ 64 LAMINATOR.**

**⚠ WARNING: DO NOT CONNECT THE LAMINATOR TO AN ELECTRICAL SUPPLY OR ATTEMPT TO OPERATE THE LAMINATOR UNTIL YOU HAVE COMPLETELY READ THESE INSTRUCTIONS. MAINTAIN THESE INSTRUCTIONS IN A CONVENIENT LOCATION FOR FUTURE REFERENCE.**

NL

F

E

## IMPORTANT SAFEGUARDS



**WARNING: TO GUARD AGAINST INJURY, THE FOLLOWING SAFETY PRECAUTIONS MUST BE OBSERVED IN THE INSTALLATION AND USE OF THE LAMINATOR.**

### General

Keep hands, long hair, loose clothing, and articles such as necklaces or ties away from the front of the heat and pull rollers to avoid entanglement and entrapment.

The heat rollers can reach temperatures over 300° F. Avoid contact with the heat rollers during operation or shortly after power has been removed from the laminator.

Keep hands and fingers away from the path of the sharp film cutter blade located at the film exit.

Do not use the laminator for other than its intended purpose.

Avoid moving the laminator on uneven floor surfaces. Never tilt the laminator.

Do not defeat or remove electrical and mechanical safety equipment such as interlocks, shields and guards.

Do not insert objects unsuitable for lamination or expose the equipment to liquids.

### Electrical

The laminator should be connected only to a source of power as indicated in these instructions and on the serial plate located on the rear of the laminator.

Contact an electrician should the attachment plug provided with the laminator not match the receptacles at your location.



**CAUTION: The receptacle must be located near the equipment and easily accessible.**

Do not operate the laminator with a damaged power supply cord or attachment plug, upon occurrence of a malfunction, or after the laminator has been damaged. Contact GBC's Technical Service Department or your dealer/distributor for assistance.

### Service

Perform only the routine maintenance procedures referred to in these instructions.



**WARNING: Do not attempt to service or repair the laminator.**

Disconnect the plug from the receptacle and contact GBC's Technical Department or your dealer/distributor when one or more of the following has occurred.

- The power supply cord or attachment plug is damaged.
- Liquid has been spilled into the laminator.
- The laminator is malfunctioning after being mishandled.
- The laminator does not operate as described in these instructions.

--	--	--

## WARRANTY

GBC warrants to the original purchaser for a period of ninety (90) days after installation that this laminator is free from defects in workmanship and material under normal use and service. GBCs' obligation under this warranty is limited to replacement or repair, at GBCs' option, of any part found defective by GBC without charge for material or labor.

This warranty is in lieu of all other warranties expressed or implied. **WARRANTIES OF MERCHANTABILITY OR FITNESS FOR A PARTICULAR PURPOSE ARE EXPRESSLY EXCLUDED.** Any representations or promises inconsistent with, or in addition to, this warranty are unauthorized and shall not be binding upon GBC. In no event shall GBC be liable for any special, incidental or consequential damages, whether or not foreseeable.

This warranty shall be void if the product has been misused; mishandled; damaged by negligence, by accident, during shipment, or due to exposure to extreme conditions; repaired, altered, moved, or installed by anyone other than GBC or its authorized agents; or if incompatible film was used. GBCs' obligation under this warranty does not include routine maintenance, cleaning, adjustment, normal cosmetic or mechanical wear, nor freight charges.

Without limiting the generality of the previous paragraph, GBCs' obligation under this warranty does not include:

- damage to the pressure rollers or pull rollers caused by knives, razors, or other sharp tool; by any object falling into the working area of the laminator; or by cleaning the rollers with solutions or materials that harm their surfaces;
- damage to Lucite panels or manometer glass caused by mechanical action or by cleaning with solutions or materials that harm those surfaces; nor
- damage to the outer finish caused by mechanical action or by cleaning with solutions or materials that harm the outer finish.

For proper cleaning procedures, see the "**CARING FOR YOUR LAMINATOR**" chapter.

**For European Union Residents Only:** This guarantee does not affect the legal rights which consumers have under applicable national legislation governing the sale of consumer goods.

NL

F

E

--	--	--

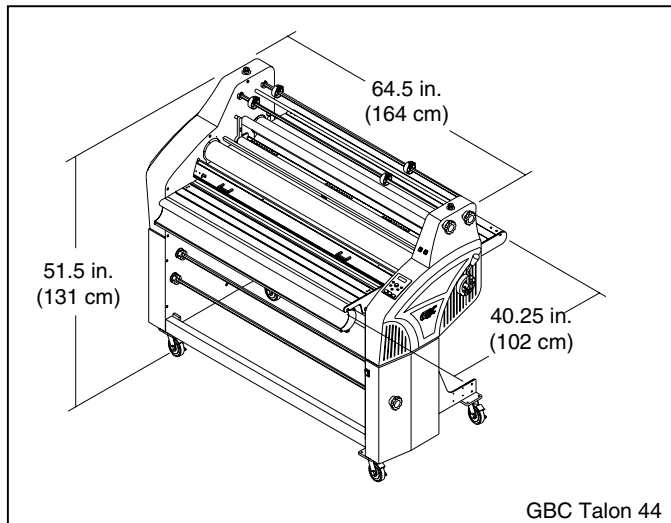


Fig. 1

## SPECIFICATIONS - TALON 44

**Operating Speed:**

Up to 10 fpm (3 mpm)

**Temperature range:**

32 °F - 270 °F (0 °C - 132 °C)

**Max. Mounting Thickness:**

1/2 in. (1.3 cm)

**Max. Film Width:**

Talon 44: 44 in. (112 cm)

**Dimensions (W x D x H):****Unit alone: (Figure 1)**

64.5 in. x 40.25 in. x 51.5 in.

(164 cm x 102 cm x 131 cm)

**Shipping:**

67 in. x 43 in. x 62.5 in.

(170 cm x 109 cm x 159 cm)

**Weight:****Unit alone:** 788 lb. (357 kg.)**Shipping:** 965 lb. (438 kg.)**Electrical Requirements:**

Refer to the serial plate located on the rear of the laminator for the specific electrical rating applicable to the unit.

**Voltage:** 220V~60 Hz**Current:** 14.3A**Power:** 3200 W**Phase:** Single

**FCC NOTE:** This equipment has been tested and found to comply with the limits for a Class A digital device, pursuant to part 15 of the FCC Rules. These limits are designed to provide reasonable protection against harmful interference when the equipment is operated in a commercial environment. This equipment generates, uses, and can radiate radio frequency energy and, if not installed and used in accordance with the instruction manual, may cause harmful interference to radio communications. Operation of this equipment in a residential area is likely to cause harmful interference in which case the user will be required to correct the interference at his/ her own expense.

Changes or modifications not expressly approved by General Binding Corporation could void the users authority to operate the equipment.

This Class A digital apparatus complies with Canadian ICES-003. (Cet appareil numérique de las Classe A est conforme a la norme NMB-003 du Canada)

D

NL

F

E

--	--	--	--

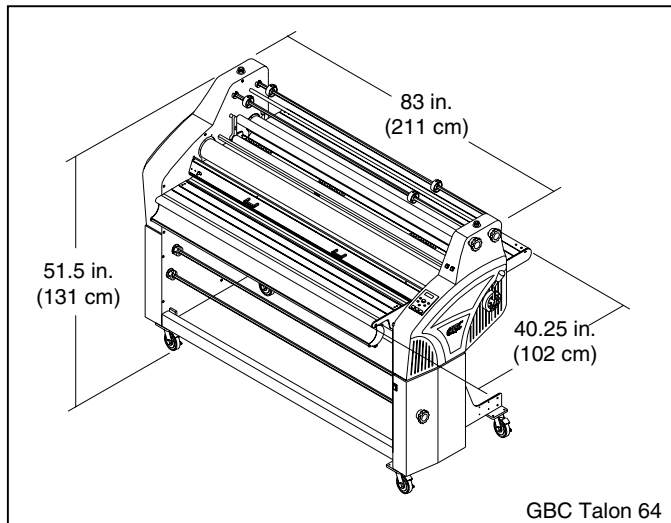


Fig. 2

## SPECIFICATIONS - TALON 64

**Operating Speed:**

Up to 10 fpm (3 mpm)

**Temperature range:**

32 °F - 270 °F (0 °C - 132 °C)

**Max. Mounting Thickness:**

1/2 in. (1.3 cm)

**Max. Film Width:**

Talon 64: 64 in. (163 cm)

**Dimensions (W x D x H):****Unit alone: (Figure 2)**

83 in. x 40.25 in. x 51.5 in.

(211 cm x 102 cm x 131 cm)

**Shipping:**

85 in. x 43 in. x 62.5 in.

(216 cm x 109 cm x 159 cm)

**Weight:****Unit alone:** 1030 lb. (467 kg.)**Shipping:** 1250 lb. (567 kg.)**Electrical Requirements:**

Refer to the serial plate located on the rear of the laminator for the specific electrical rating applicable to the unit.

**Voltage:** 220V~60 Hz**Current:** 15A**Power:** 3500 W**Phase:** Single

**FCC NOTE:** This equipment has been tested and found to comply with the limits for a Class A digital device, pursuant to part 15 of the FCC Rules. These limits are designed to provide reasonable protection against harmful interference when the equipment is operated in a commercial environment. This equipment generates, uses, and can radiate radio frequency energy and, if not installed and used in accordance with the instruction manual, may cause harmful interference to radio communications. Operation of this equipment in a residential area is likely to cause harmful interference in which case the user will be required to correct the interference at his/ her own expense.

Changes or modifications not expressly approved by General Binding Corporation could void the users authority to operate the equipment.

This Class A digital apparatus complies with Canadian ICES-003. (Cet appareil numérique de la Classe A est conforme à la norme NMB-003 du Canada)

D

NL

F

E

--	--	--	--

## PRE-INSTALLATION

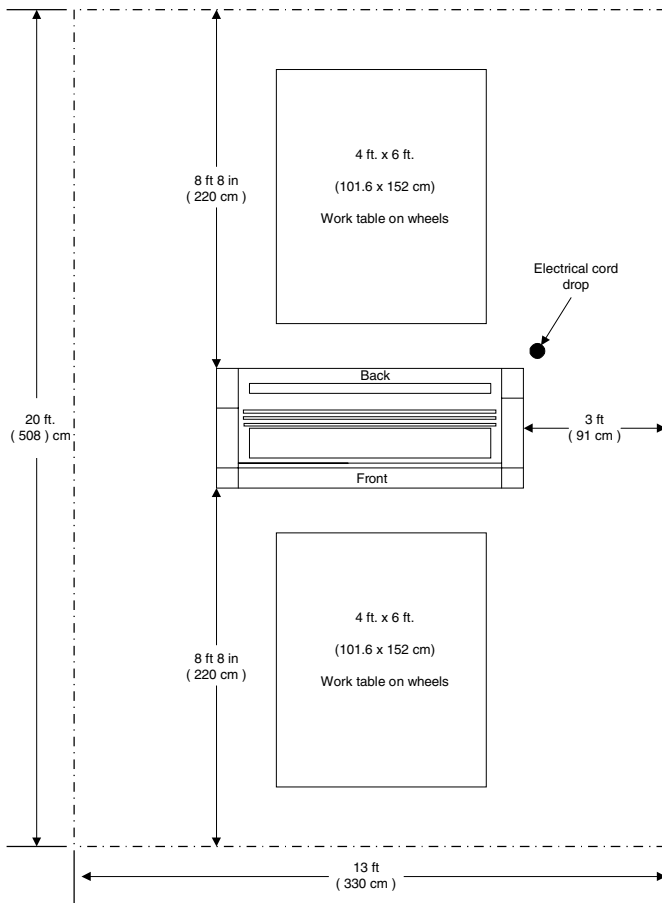


Fig. 3

Before a Talon 44/ 64 Laminator can be installed, ensure the following requirements are met;

1. Are door ways and hallways wide enough for the laminator to be moved to the installation site?
2. Is there ample room for the laminator?
  - A work area must be established that allows for operation in both the front and rear of the laminator and provides space for efficient material flow. (Figure 3)
3. Is the environment appropriate for the laminator?
  - The laminator requires a clean, dust and vapor free environment to operate properly.
  - Avoid locating the laminator near sources of heat or cold. Avoid locating the laminator in the direct path of forced, heated or cooled air.

**CAUTION: Air flow can cause uneven heating/ cooling of the rollers and result in poor output quality.**

4. Have you contacted a certified electrician to wire the receptacle and ensure that adequate power is being supplied, having the appropriate capacity, over current protection and safety lockouts available?

**Talon 44 requires:**

- 220V at 60hz with 14.3 amp service. Use a Nema 6-20R.

**Talon 64 requires:**

- 220V at 60hz with 15 amp service. Use a Nema 6-20R.

D

NL

F

E

--	--	--	--

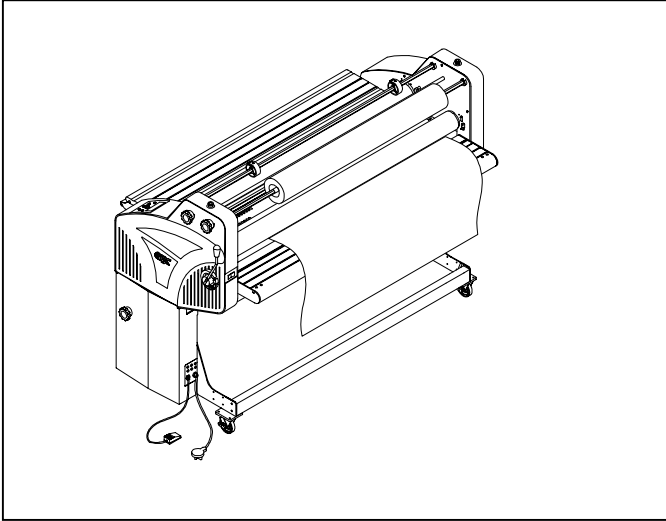


Fig. 4

## INSTALLATION

1. **Shipping damage should be brought to the immediate attention of the delivering carrier.**
2. With assistance, carefully roll the laminator into position over flat and even surfaces.
3. The laminator should be positioned to allow exiting film to flow freely to the floor or a work table (Figure 4). Accumulation of laminate immediately behind the laminator as it exits the equipment may cause the film to wrap around the pull rollers, resulting in a "jammed" condition.
4. Avoid locating the laminator near sources of heat or cold. Avoid locating the laminator in the direct path of forced, heated or cooled air.
5. Once the laminator has been properly positioned, lock the castors in place. Locking the castors prevent the machine from rolling during set up, operation or servicing.
6. The heaters must be installed by a GBC qualified service technician. Refer to your Warranty section for explanation of "Qualified".
7. Connect the attachment plug provided with the laminator to a suitably grounded outlet. **Avoid connecting other equipment to the same branch circuit to which the laminator is connected, as this may result in nuisance tripping of circuit breakers or blowing fuses.**

D

NL

F

E

--	--	--	--

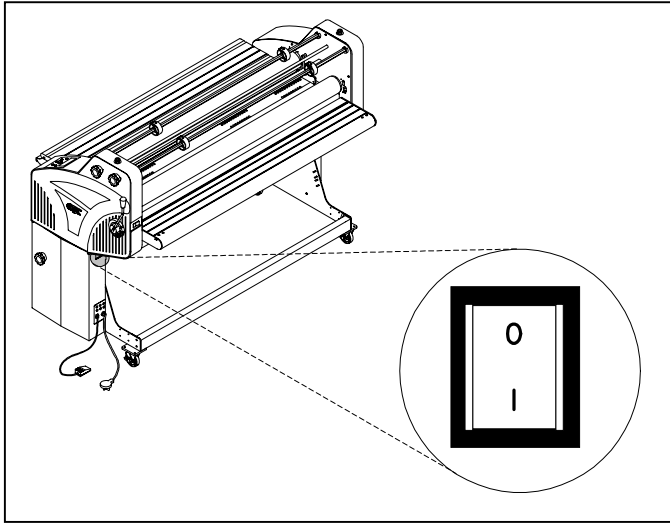


Fig. 5

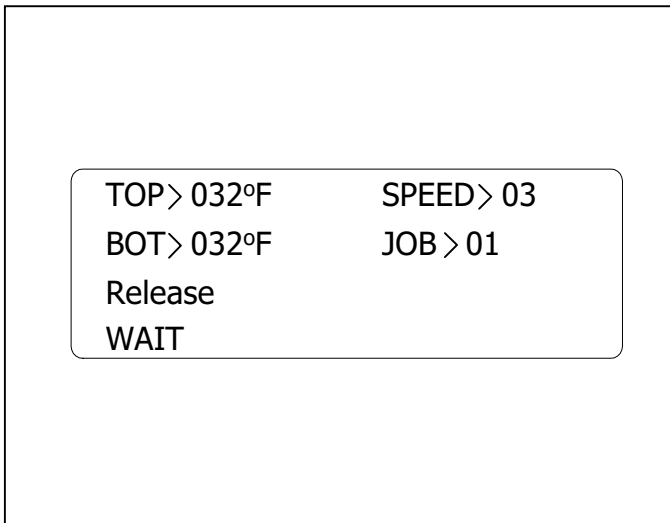


Fig. 6

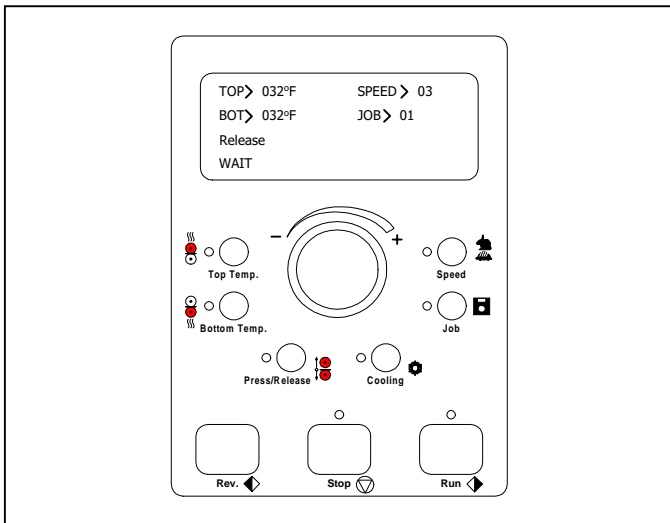


Fig. 7

**CONTROL GUIDE**

**A. POWER ON/ OFF:** (Figure 5)  
 Located at the back left of the machine applies power to the laminator. The control panel display will illuminate when position marked "I" is pushed. The off position, marked "O", removes power from the laminator.

**B. CONTROL PANEL DISPLAY:**  
 (Figure 6) Illuminates when the laminator is plugged in and **POWER ON/ OFF** is in the on, (I), position. Displays settings for top heater, bottom heater, speed, Job, mode and ready/wait/ positioning indicator.

**ROLLER POSITION INDICATOR:**  
 Displays the current main roller position. In figure 7, the roller is shown in the "Release" position. Refer to Roller Handle for more information.

**READY/ WAIT INDICATOR:**  
 "READY" appears when actual temperature is equal to (+/- 5) set temperature. "WAIT" appears when actual temperature is lower than the set temperature. "WAIT" appears when actual temperature is higher than the set temperature.

**POSITIONING INDICATOR:**  
 "Positioning..." appears in place of the ready/ wait indicator any time the main rollers are traveling in an upward or downward motion.

**C. CONTROL PANEL:** (Figure 7)

**MASTER DIAL** : Increases (+) or decreases (-) the numeric value for the selected setting when turned. Press and hold the dial to display actual temperature of top and bottom main rollers.

**Top Temp.** : When pressed, permits increasing or decreasing of the top temperature by turning the **MASTER DIAL** and is indicated on the control panel display. Range is 32°F - 266°F (0°C - 130°C).

**Bottom Temp.** : When pressed, permits increasing or decreasing of the bottom temperature by turning the **MASTER DIAL** and is indicated on the control panel display. Range is 32°F - 266°F (0°C - 130°C).

D

NL

F

E

--	--	--	--

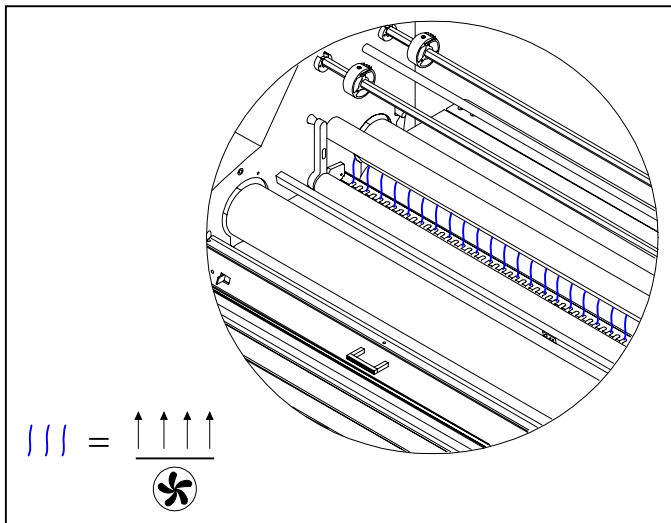


Fig. 8

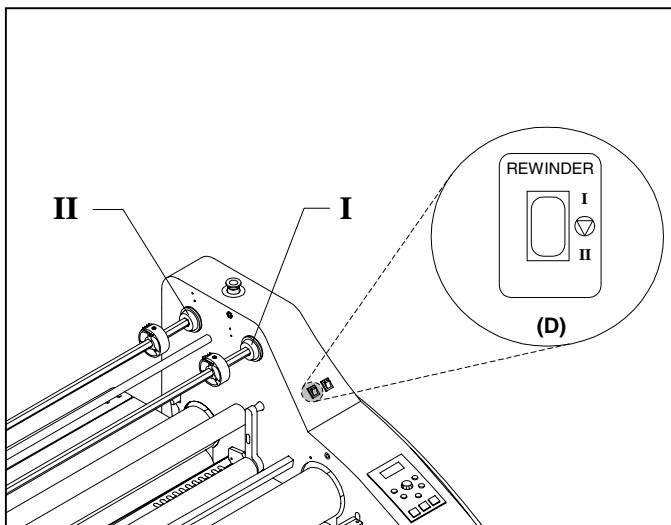








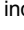
Fig. 9


**Press/ Release**  : When pressed, raises the upper main roller over riding the pull roller handle setting. When pressed again, reverts to current pull roller handle setting.

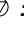
**Cooling**  : (Figure 8) When pressed, turns on the cooling fans. When pressed again, turns off the cooling fans.


**JOB**  : When pressed, permits scrolling of job numbers by turning the **MASTER DIAL**  and is indicated on the control panel display. Range is 1 - 10. Job 10 is reserved for running Accushield material.

To store parameters for a particular job number, select the desired job number location, enter the upper and lower temperatures and speed, then press **JOB** .

**SPEED**  : When pressed, permits increasing or decreasing of speed by turning the **MASTER DIAL**  and is indicated on the control panel display. Range is 1 - 10.

**REV**  : When pressed and held, reverses roller movement to clear film jams and wrap-ups.


**STOP**  : Stops the movement of the rollers.

**RUN**  : When pressed, activates rollers for normal operation.

#### D. REWINDER SELECTION

**SWITCH:** (Figure 9) This switch enables the operator to control the function of the upper rewind/unwind shafts.

**I** : In this position, turns the power on to the upper front rewind/unwind shaft.

 : In this position, neither the upper front or upper rear rewind/unwind shaft is selected for motor power.

**II** : In this position, turns the power on to the upper rear rewind/unwind shaft.

D

NL

F

E

--	--	--	--

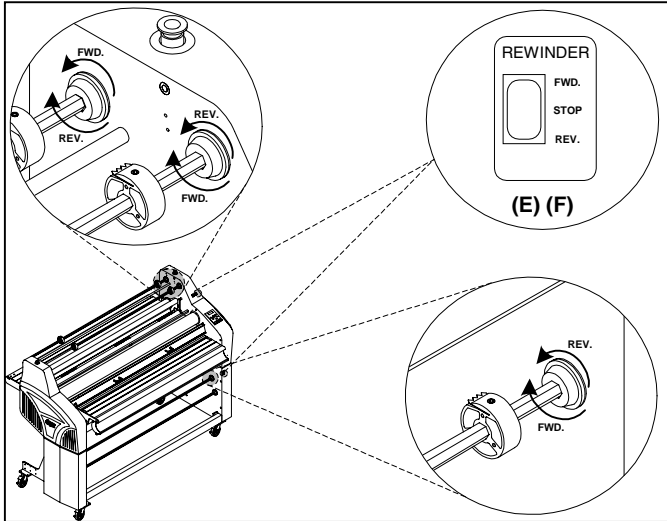


Fig. 10

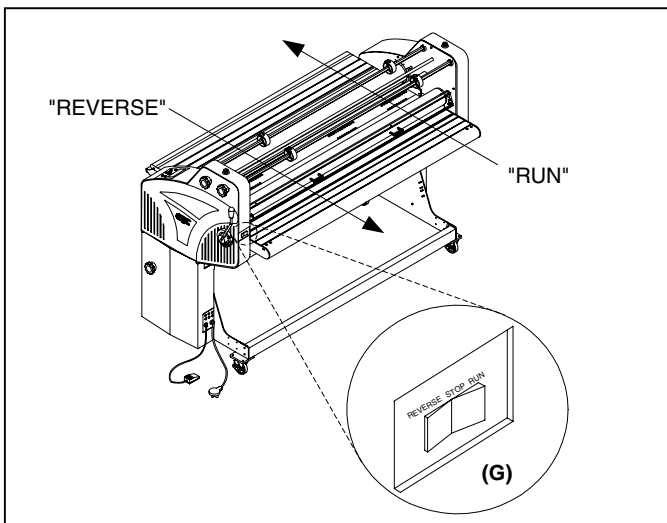


Fig. 11

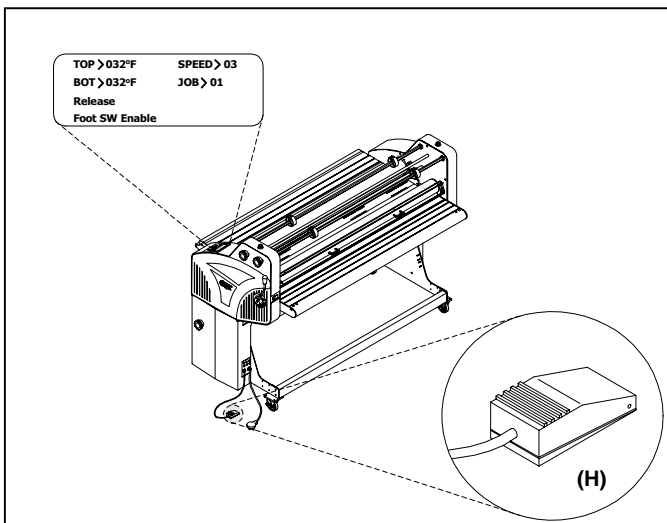


Fig. 12

**E. UPPER REWINDER DIRECTION SWITCH:** (Figure 10) This switch enables the operator to control the direction of the upper rewind/unwind shafts.

“FWD.” : In this position, the motor runs in a forward direction.

“STOP” : Stops the rewinder motor for the rewind/ unwind shaft selected.

“REV.” : In this position, the motor runs in a reverse direction.

**F. LOWER REWINDER DIRECTION SWITCH:** (Figure 10) This switch enables the operator to control the direction of the Lower rewind/unwind shaft.

“FWD.” : In this position, the motor runs in a forward direction.

“STOP” : Stops the rewinder motor for the rewind/ unwind shaft selected.


“REV.” : In this position, the motor runs in a reverse direction.

**G. REAR CONTROL SWITCH:** (Figure 11) This switch enables the operator to run jobs from the rear operating position of the laminator when rear controls are enabled.


“REVERSE” : In this position, the rollers turn from the front operating position towards the rear operating position.

“STOP” : Stops the movement of the rollers.


“RUN” : In this position, the rollers turn from the rear operating position towards the front operating position.

**ENABLE REAR CONTROL SWITCH:** To enable the rear control switch, press and hold **JOB**  until you hear a beep, approximately 3 seconds. **REAR CONTROL** replaces **READY/ WAIT** on the control panel display.


Replace the rear slitter with the safety shield properly installed and latched.

**DISABLE REAR CONTROL SWITCH:** Press and hold **JOB**  again to disable the rear control switch.

**H. FOOT SW ENABLE:** (Figure 12) In this mode permits operation using the footswitch.

To enable the foot switch, press and hold **STOP**  until you hear a beep, approximately 3 seconds.

**FOOT SW ENABLE** flashes where **READY/ WAIT** is indicated.

Press and hold **STOP**  again to disable the foot switch.

D

NL

F

E

--	--	--	--

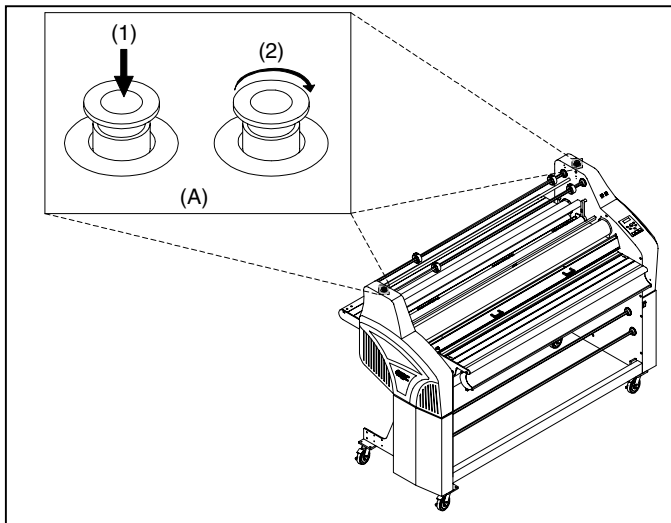


Fig. 13

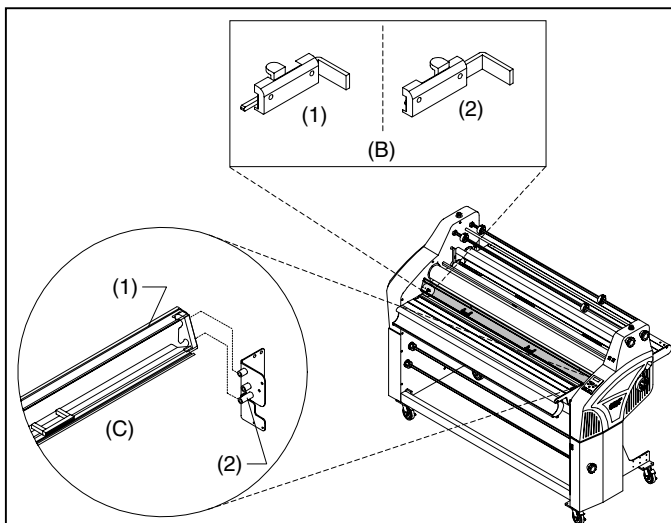


Fig. 14

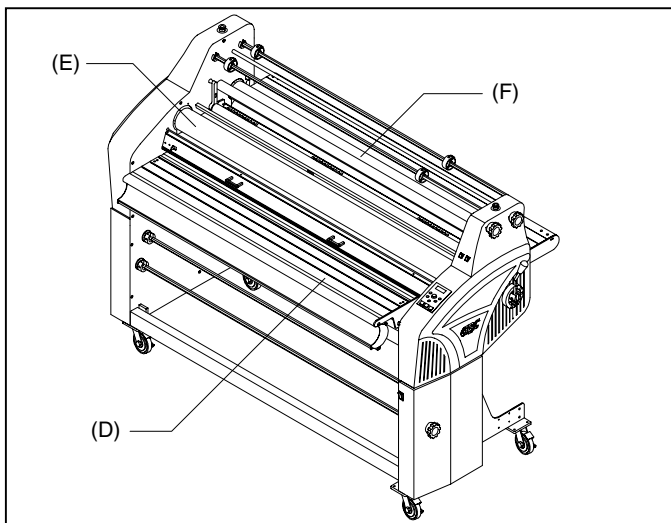


Fig. 15

## FEATURES GUIDE

**A. E-STOP:** (Figure 13) Two E-STOP buttons exist on the laminator. One on each side of the upper cabinet.

To engage (1), press either push button, roller movement is stopped.

To disengage (2), turn the push button clockwise once the emergency condition has been resolved.

**B. SAFETY SHIELD INTERLOCK LATCH:** (Figure 14) Used to lock the safety shield into position and activate an interlock switch. The interlock latch is located on the left side of the safety shield. When pushed to the full left (1), the safety shield is locked. When pushed to the full right (2), the safety shield is unlocked.

**C. SAFETY SHIELD:** (Figure 14) Prevents entanglement, entrapment and inadvertent contact with the heat rollers. **The laminator will operate only when the Safety Shield is located in the fully locked position.**

To remove the safety shield, unlock the safety shield interlock latch and lift the safety shield (1) up and away from the safety shield mounting pins (2).

**D. FEED TABLE:** (Figure 15) The Feed Table is used to position items for lamination. **The laminator will operate only when the Feed Table and Feed Table Latch are properly installed.**

**E. HEAT ROLLERS:** (Figure 15) Silicone rubber coated steel tubes heat the laminating film and compress the heated film to the items being laminated. Heat is provided by an internal heating element. The heat rollers are motor driven for ease of loading new film.

**F. PULL ROLLERS:** (Figure 15) The pull rollers, located at the back of the laminator, are motor driven. They simultaneously pull the film and improve the quality of the laminated item.

D

NL

F

E

--	--	--	--

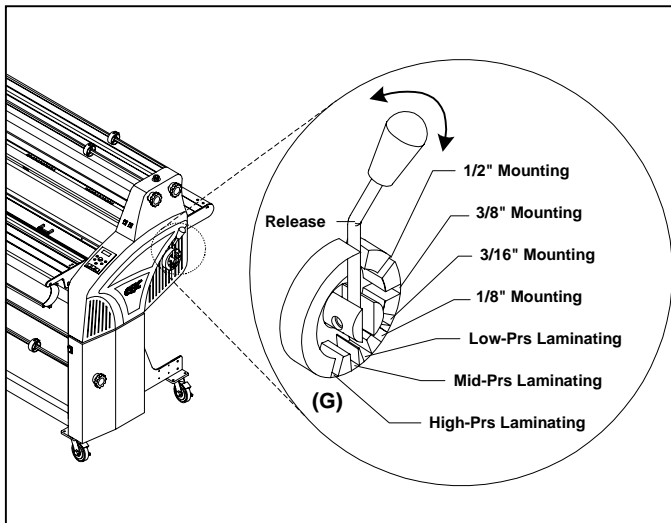


Fig. 16

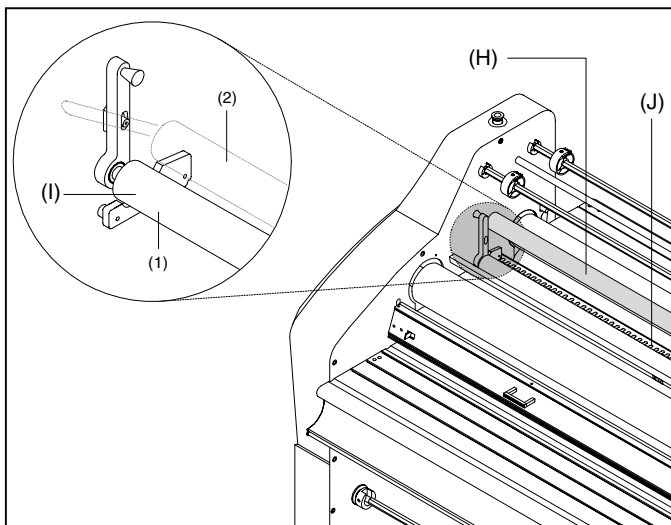


Fig. 17

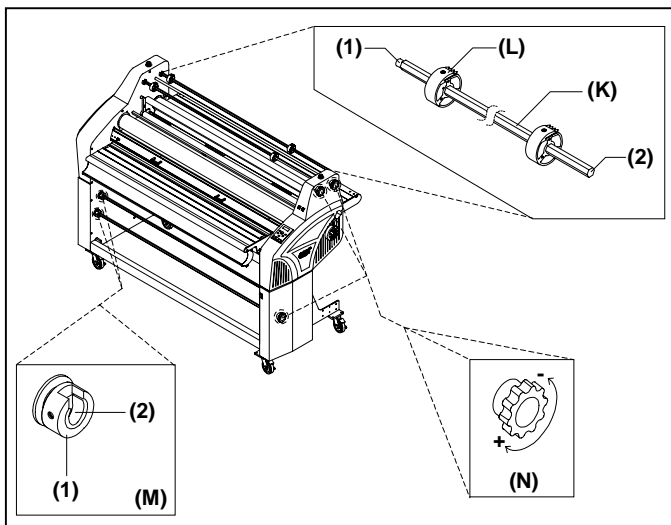


Fig. 18

**G. ROLLER HANDLE:** (Figure 16)  
The roller handle manually sets the position of the pull rollers while simultaneously electronically setting the main rollers.

Available settings are;

- Release
  - 1/2" Mounting
  - 3/8" Mounting
  - 3/16" Mounting
  - 1/8" Mounting
  - Low-Prs Laminating
  - Mid-Prs Laminating
  - High-Prs Laminating
- (Prs = pressure)

**H. IDLER BAR:** (Figure 17) The idler bars, located near each heat roller, are used to direct the film to the heat roller nip.

**I. CHILL IDLER:** (Figure 17) Assist in the cooling process of the web material as it exits the heat rollers.

To engage the chill idler, grip the chill idler handles located on each side of the chill idler and lower to the web position (1). To disengage the chill idler, move the chill idler to it's rest position (2).

**J. COOLING FANS:** (Figure 17) Assist in the cooling process by pushing unheated air onto the web material as it exits the heated rollers. This feature can be controlled from the control panel.

**K. FILM SHAFT:** (Figure 18) The film shaft holds the film supply on the machine.

To remove the film shaft, lift up on the round end (1) of the unwind/rewind shaft then pull the hex end (2) of the shaft out and away from the laminator.

**L. CORE ADAPTORS:** (Figure 18) Hold and lock the rolls of film on the shafts to prevent side to side shifting.

**M. LOWER SHAFT LOCK:** (Figure 18) Secures the left side of the lower shafts. To remove a shaft, turn the outer dial (1) opening so it aligns with the inner u-channel (2) opening and lift up and out.

**N. UNWIND/REWIND TENSION:** (Figure 18) Used to apply resistance to the film shaft.

To increase film shaft tension, turn the film shaft tension knob clockwise. Counter clockwise will decrease film shaft tension.

D

NL

F

E

--	--	--	--

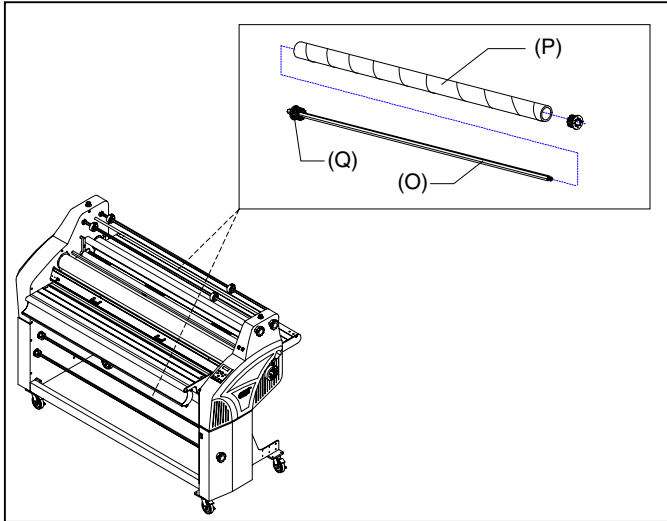


Fig. 19

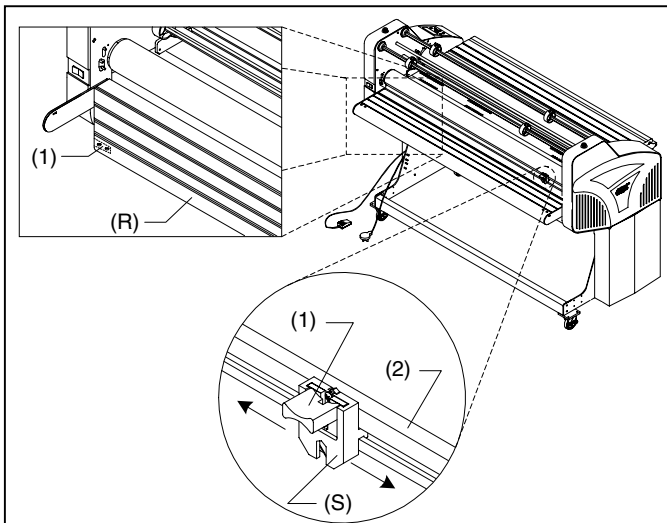


Fig. 20

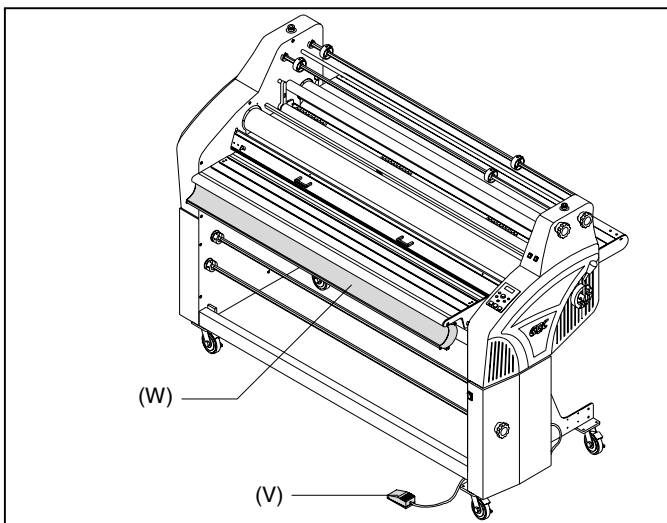


Fig. 21

**O. REWIND SHAFT:** (Figure 19) The rewind shaft holds the rewind tube on the machine.

**P. REWIND TUBE:** (Figure 19) The two rewind tubes located at the front of the machine are used to rewind release liners. The one located at the rear of the machine is used to rewind the finished product.

**Q. REWIND ADAPTORS:** (Figure 19) Hold and lock the rewind tube on the rewind shafts to prevent side to side shifting.

**R. REAR TABLE:** (Figure 20) Provides a working surface when operating the machine from the rear. This table may also be lowered when webbing for roll to roll applications.

To lower, slide the left and right side rear table latches (1) to the unlatched position and lower the rear table.

**S. REAR SLITTER:** (Figure 20) Used to cut the film web where it exits the rear of the laminator.

To make a cut, push down on the blade engage lever and slide to the opposite side.

**T. FILM WEB:** Laminating film loaded into the machine.

**U. NIP POINT:** The point at which the top and bottom rollers come into contact. The Nip Point of the heat rollers is the place at which the items for lamination are introduced into the laminator.

**V. FOOTSWITCH:** (Figure 21) Used to assist in webbing of the machine and initial feeding of material.

**W. PRINT UNWIND BASKET:** (Figure 21) Holds a rolled image. Prevents the image from touching the floor.

**X. SEPARATOR BAR OPTION:** (Figure 19) Required if running Accushield® material.

**(Talon 44 Part # 2020580)**

**(Talon 64 Part # 2020579)**

To install, replace the rear slitter with the separator bar.

**Y. REWIND KIT OPTION:** Enables roll to roll webbing of material. This kit must be installed by a qualified GBC service representative.

**(Talon 44 Part # 1715822)**

**(Talon 64 Part # 1715823)**

D

NL

F

E

--	--	--	--

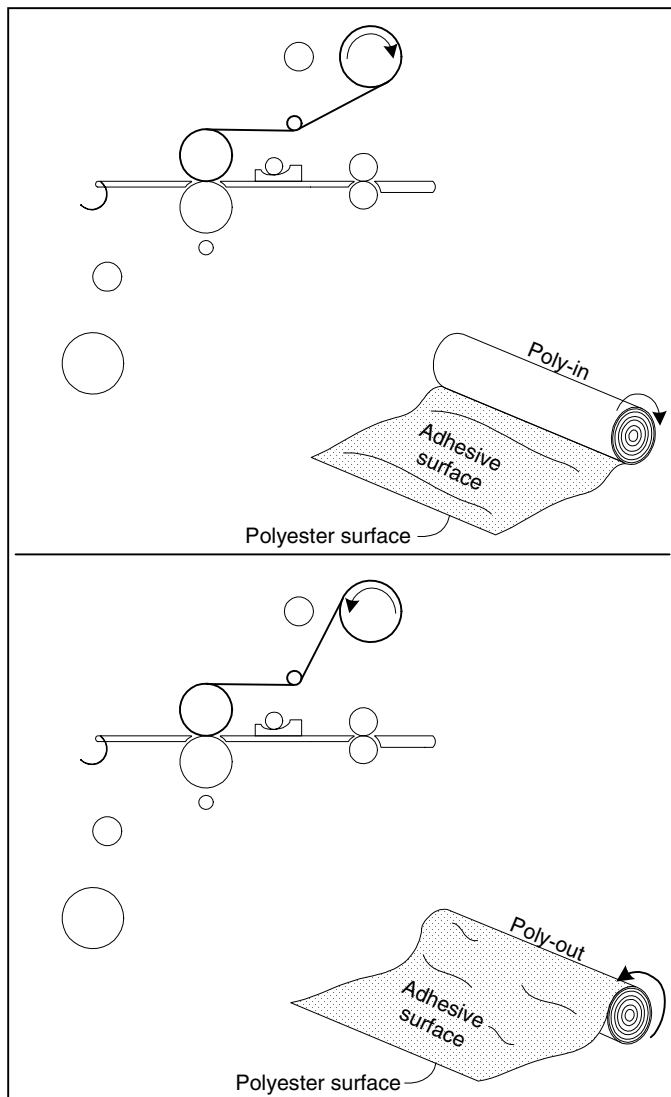


Fig. 20

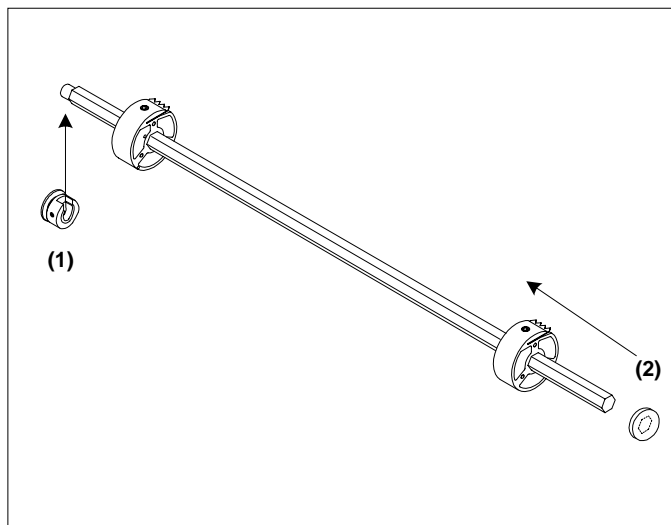


Fig. 21

## OPERATING INSTRUCTIONS

## FILM LOADING &amp; THREADING

The top and bottom rolls of laminating film must be of the same width and be present simultaneously. A small amount of adhesive will “squeeze out” during lamination. Hardened adhesive deposits can damage the heat rollers. To avoid any damage, select “Low-Prs Laminating” on the roller handle, rotate the rollers at slowest speed with heat on. Refer to the section entitled **CARING FOR THE TALON 44/ 64 LAMINATOR** for instructions regarding removal of the accumulated adhesive.

Adhesive will deposit on the rollers if:

- Only one roll is used.
- Different widths of rolls are loaded together.
- Either roll is loaded adhesive side against a heat roller.
- One or both rolls of film are allowed to run completely off its core.

The adhesive side of the film is on the inner side of the web (Figure 20). The shiny side of clear film must contact the heat rollers. The dull side of the film contains the adhesive. Use extreme caution when loading delustered (matte) film as both sides appear dull.

Always change the top and bottom supply rolls at the same time. Near the end of each roll of GBC laminating film is a label stating “Warning-End of Roll”. The appearance of this label on either the top or bottom roll requires that new rolls of film be installed as soon as the item presently being laminated completely exits the rear of the laminator. Do not introduce any additional items into the laminator when the warning label is visible.

## To load a roll of film; (Figure 21)

1. Lift up on the round end, left side (1), of the unwind/ rewind shaft.
2. Pull the hex end, right side (2), of the shaft out and away from the laminator.
3. Slide the roll of film onto the film shaft ensuring adhesive side is out.
4. Replace the shaft with the hex end in first then the round end.
5. Center the roll of film.

D

NL

F

E

--	--	--	--

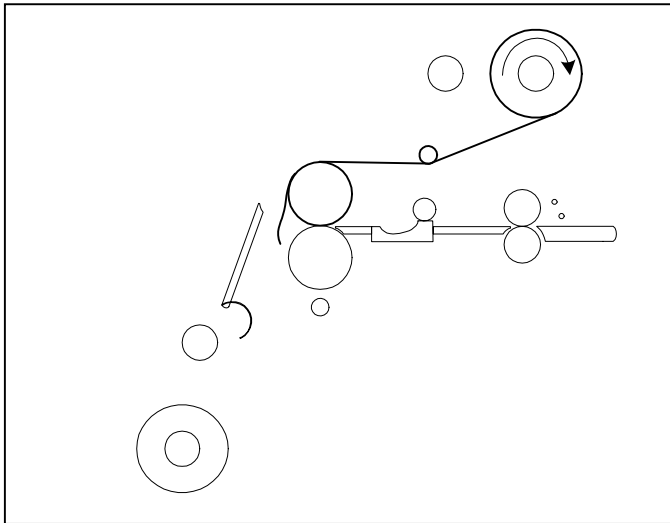


Fig. 22

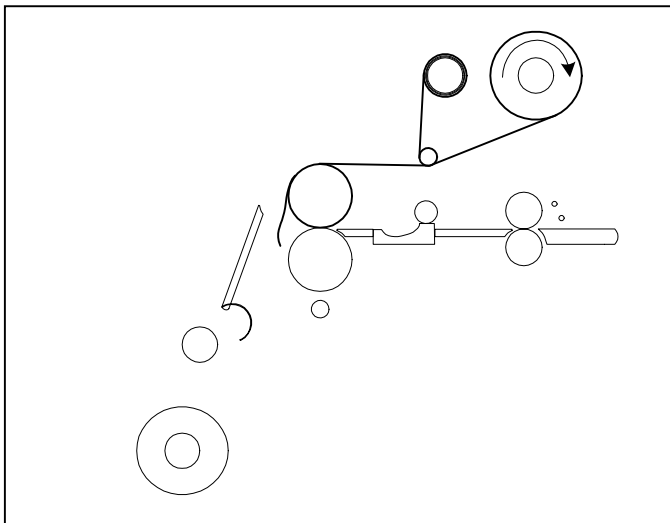


Fig. 23

**LOADING TOP THERMAL FILM**

This procedure describes how to load the upper roll of film onto the laminator. Figure 22 uses poly-in film and the upper rear unwind/rewind position for illustration purpose.

1. Turn the **Power ON/OFF** to on (I). Set top heat temperature for the film type you are using.
2. Ensure no brake tension is applied to the film shaft.
3. Remove the safety shield and pivot the feed table down.
4. Pull the top roll of film down under the idler bar and allow to drape over the top heat roller (Figure 22).
5. Reference one of the loading bottom material procedures.

**LOADING TOP PSA FILM**

This procedure describes how to load the upper roll of film onto the laminator. Figure 23 uses PSA film and the upper rear unwind/rewind position for illustration purpose.

1. Turn the **Power ON/OFF** to on (I). If the laminator is already hot, turn **POWER ON/OFF** to the off (O) position and allow the unit to cool. Once cool, turn the laminator back on.
2. Ensure no brake tension is applied to the film shaft.
3. Remove the safety shield and pivot the feed table down.
4. Set the roll of film in the rear unwind/rewind position and the rewind tube in the front unwind/rewind position.
5. Pull the top roll of film down under the idler bar and up the upper front rewind tube.
6. Place one piece of masking tape in the center of the film and secure to the rewind tube.
7. Make two full wraps around the rewind tube, then carefully score the laminate without cutting the release liner.
8. Pull the laminate down allowing it to drape over the upper main roller.
9. Reference one of the loading bottom material procedures.

D

NL

F

E

--	--	--	--

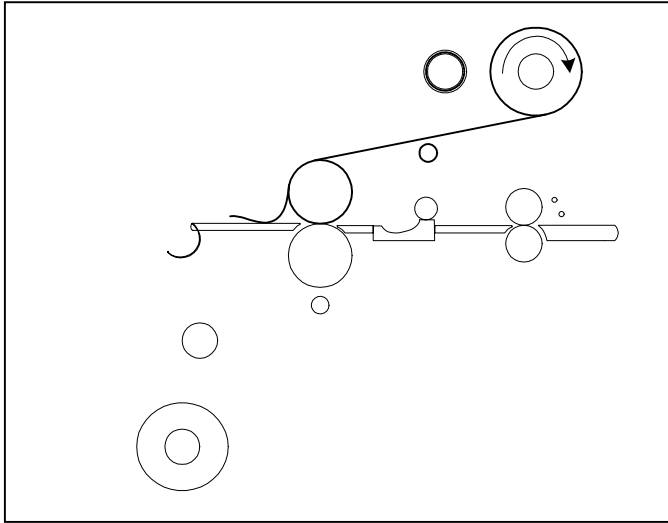


Fig. 24

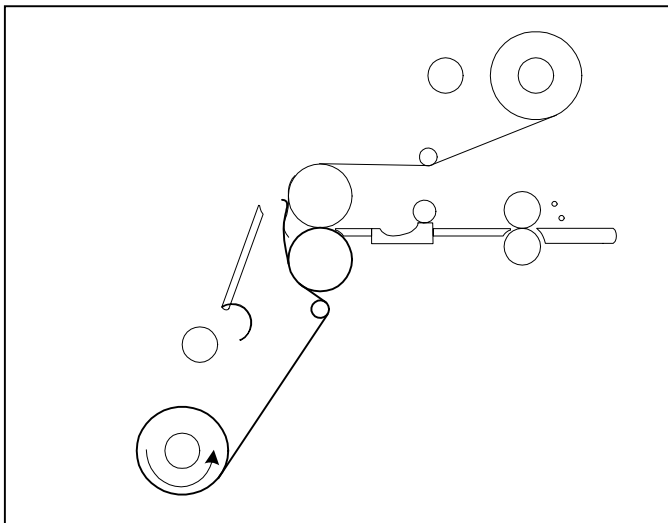


Fig. 25

#### LOADING TOP MOUNT ADHESIVE

This procedure describes how to load a roll of mount adhesive using the upper position for pre-coating (Figure 24).

1. Turn the **Power ON/OFF** to on (I). If the laminator is already hot, turn **POWER ON/OFF** to the off (O) position and allow the unit to cool. Once cool, turn the laminator back on.
2. Ensure no brake tension is applied to the film shaft.
3. Remove the safety shield.
4. Set the roll of mount adhesive in the upper rear unwind/ rewind position.
5. Pull the mount adhesive over the upper idler and upper main roller allowing the material to rest on the top of the feed table.
6. Reference **THREADING CARD PROCEDURE** next.

#### LOADING BOTTOM THERMAL FILM

This procedure describes how to load a roll of thermal film using the lower unwind position for encapsulation (Figure 25).

1. At this point you should have an upper roll of thermal film loaded onto the laminator.
2. Ensure no brake tension is applied to the film shaft.
3. Guide the bottom film around the lower idler.
3. Adhere the film to the loaded upper roll of thermal film by pulling the film up towards the existing draped thermal film over the main rollers.

**NOTE:** You may follow this procedure to load a roll of Kraft Paper for single side lamination.

4. Reference **THREADING CARD PROCEDURE** next.

D

NL

F

E

--	--	--	--

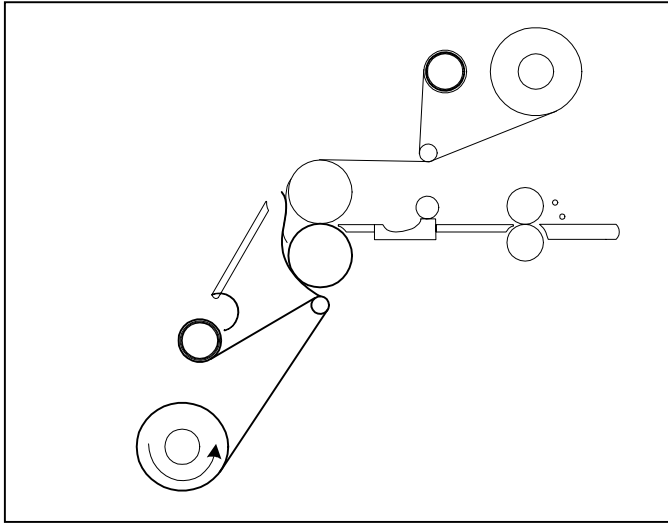


Fig. 26

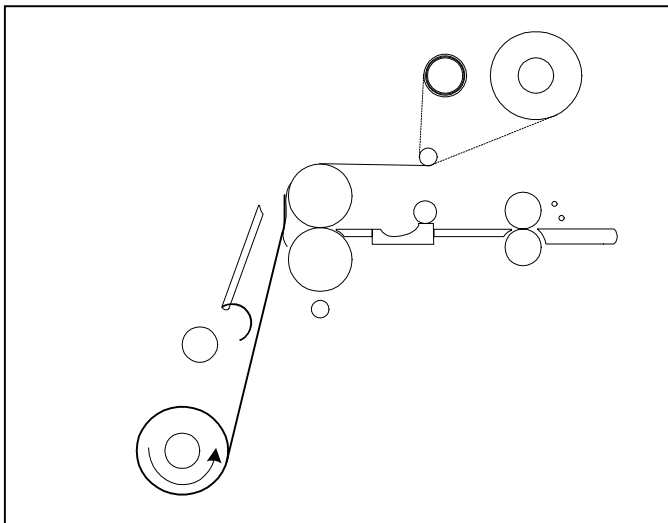


Fig. 27

**LOADING BOTTOM PSA FILM**

This procedure describes how to load a roll of mount adhesive using the lower unwind position for decaling (Figure 26).

1. At this point you should have an upper roll of PSA film loaded onto the laminator.
2. Ensure no brake tension is applied to the film shaft.
3. Pull the lower roll of film around the lower idler bar and towards the lower rewind.
4. Place one piece of masking tape in the center of the film and secure to the rewind tube.
5. Make two full wraps around the rewind tube, then carefully score the laminate without cutting the release liner.
6. Adhere the lower PSA film to the loaded upper roll of film by pulling the film straight up towards the main rollers.
7. Reference **THREADING CARD PROCEDURE** next.

**LOADING BOTTOM MOUNT ADHESIVE**

This procedure describes how to load a roll of mount adhesive using the lower unwind position for decaling (Figure 27).

1. At this point you should have an upper roll of film loaded onto the laminator.
2. Ensure no brake tension is applied to the film shaft.
3. Adhere the mount adhesive to the loaded upper roll of film by pulling the mount adhesive straight up towards the main rollers. Do not web around the lower idler.
4. Reference **THREADING CARD PROCEDURE** next.

D

NL

F

E

--	--	--	--

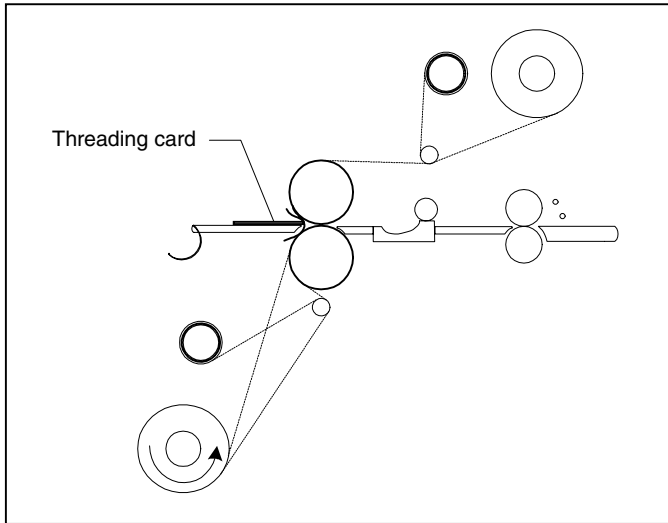




Fig. 28

#### THREADING CARD PROCEDURE

This procedure describes how to feed two loaded films through the main rollers (Figure 28).

1. At this point you should have an upper roll of film and lower roller roll of film loaded onto the laminator with the appropriate material for your application.
2. The table and safety shield must be properly installed.
3. Push the threading card into the main roller nip. The threading card becomes sandwiched between the upper and lower loaded films.
4. Set the roller handle to a laminating position, press the **RUN**  button.
5. Once the threading card has exited the laminator, press the **STOP**  button.
6. Use the rear slitter to cut the threading card from the web.
7. If you are not running the laminator, set the roller handle to the "RELEASE" position.
8. Now refer to the section entitled **START LAMINATING**.

D

NL

F

E

--	--	--	--

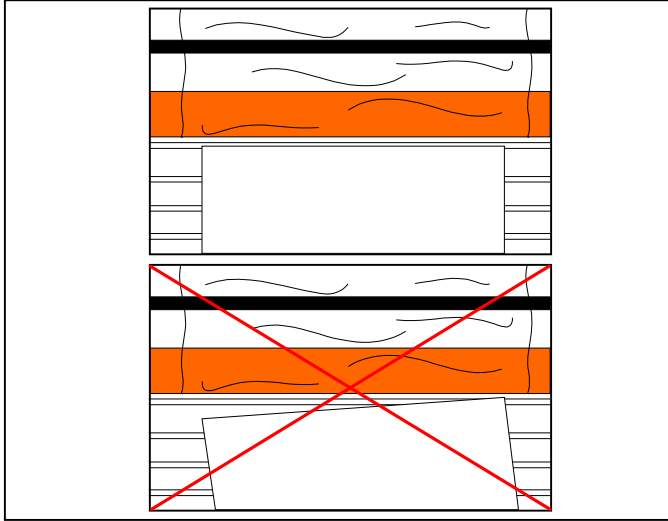


Fig. 29

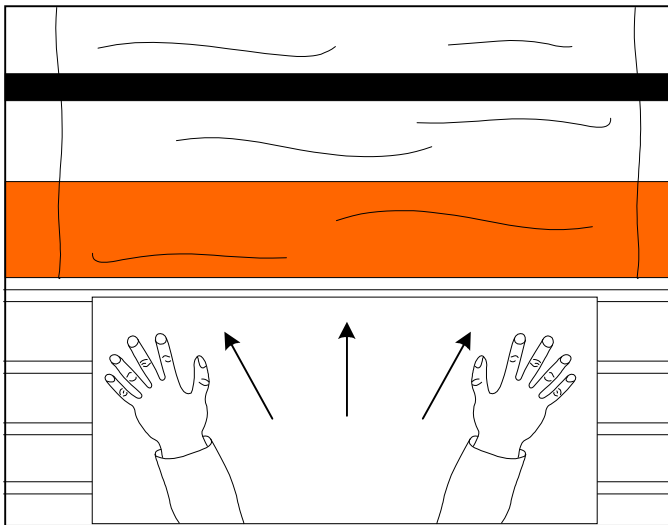


Fig. 30

#### START LAMINATING

1. The safety shield and feed table must be in the normal operating position.
2. Select a job mode (■) and ensure the proper speed and temperatures are set. Refer to the section entitled **SPEED/TEMPERATURE GUIDE**.
3. Set the roller handle to one of the laminating positions.
4. Press the **PRESS/RELEASE** (⏻) button. The main rollers gap.
5. Press the **RUN** (▶) button.
6. Press the **PRESS/RELEASE** (⏻) button. The main rollers close.
7. Adjust unwind and rewind tensions as necessary.
8. Align the leading edge of the item square to the heat roller nip (Figure 29).
9. With both hands and an outward force push the image slower than the speed of the rollers into the nip of the heat rollers (Figure 30).

**CAUTION: Avoid forcing the image into the main roller nip as this action will cause the corners of the leading edge to buckle and create a wave.**

D

NL

F

E

--	--	--	--

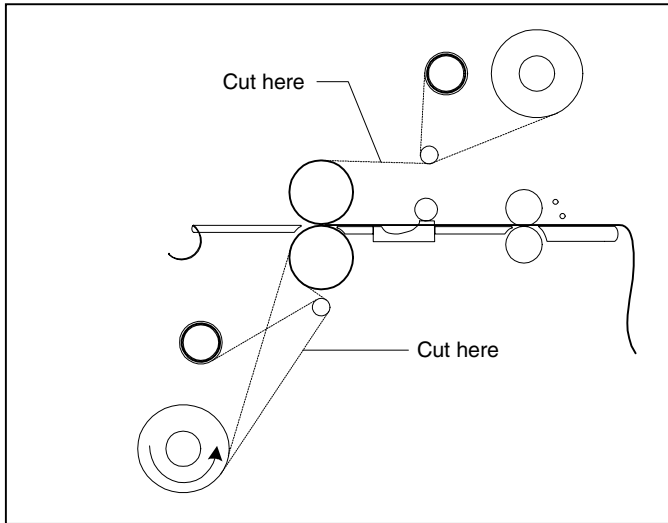


Fig. 31

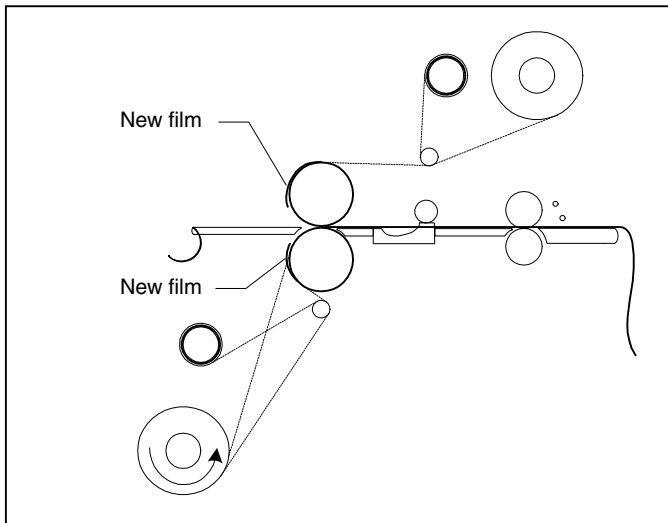


Fig. 32

#### METHOD FOR TACKING NEW FILM TO EXISTING FILM

The following describes a method for loading film whereby the existing film present on the heat rollers may be used in place of the threading card to draw the new film through the laminator. The adhesive of the existing film must be tacky or liquefied. Leading edges of the new film will be overlapped onto the tacky adhesive of the old film. The existing film and the new film will be pulled through the laminator together.

1. Cut remaining top and bottom film webs between the idler bar and heat rollers (Figure 31).

#### CAUTION: DO NOT CUT THE HEAT ROLLERS WHEN CUTTING THE FILM WEB.

2. Remove the safety shield and tilt the feed table down.
3. Do not allow the adhesive side of the film to contact the heat or pull rollers. Liquefied or tacky adhesive deposited on heat rollers will require the rollers to be cleaned per the section entitled **CARING FOR THE TALON 44/64 LAMINATOR**.
4. Replace both the top and bottom rolls of film with new rolls. Ensure the adhesive side is facing out.
5. Pull the film around the idler bars, with the exception of PSA mounting adhesives without a release liner.
6. Tack the new film to the existing film on the heat rollers. For PSA film, attach the release liner to the rewind tube (Figure 32).
7. Replace the safety shield and feed table.
8. Use the footswitch to advance the film into the heat roller nip.
9. Observe the film being pulled through the laminator to assure that the remaining existing film and the new film are advancing concurrently. Any separation between the films will require stopping the motor immediately and the situation corrected.
10. Press **STOP** (⏹) once the newly threaded film has completely exited the pull rollers.

D

NL

F

E

--	--	--	--

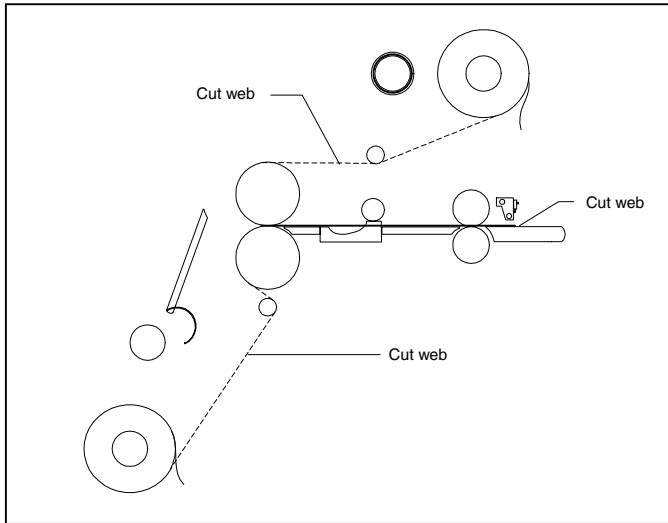


Fig. 33

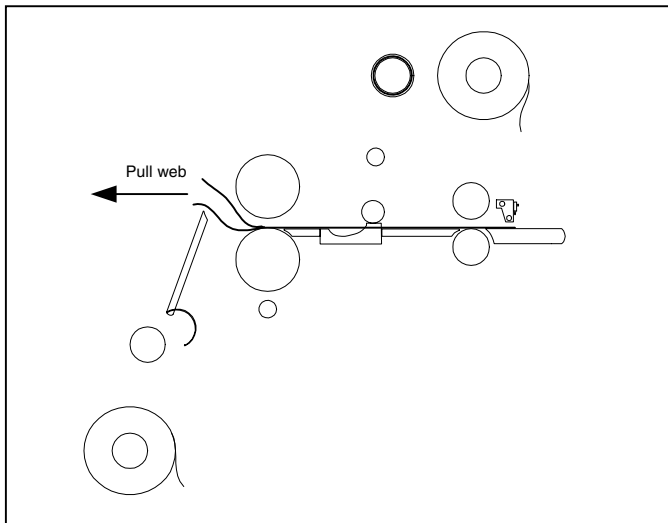


Fig. 34

#### TO UNWEB THE LAMINATOR

Unweb the laminator if you are changing film widths, cleaning the rollers or have finished using the machine for the day.

1. Using the rear slitter, cut the output from the web (Figure 33).
2. Set the roller handle to the **"Release"** position.
3. Remove the safety shield and tilt the feed table.
4. Cut remaining top and bottom film webs between supply rolls and heat rollers (Figure 33). **Be careful not to cut any of the rollers!**
5. Carefully grab hold of the web (top and bottom film), from the front operating position and pull towards you (Figure 34).
6. Do not allow the adhesive side of the film to contact the heat or pull rollers.

#### CLEARING A FILM JAM (Wrap-up)

Film jams (wrap-ups) may occur if the film is loaded backwards or if the area at which film exits the equipment is blocked. The film, when jammed, wraps around the heat rollers during webbing if a threading card is not used or pull rollers during operation.

##### To clear a jam:

1. Immediately stop the laminator by pressing **STOP** (⏹).
2. Remove the safety shield and tilt the feed table.
3. Press and hold **REVERSE** (⏮) until the jam has cleared the heat rollers or pull rollers.
4. Set the roller handle to the **"Release"** position.
5. Manually assist the material through the main rollers and/ or pull rollers.
6. Once the jam has been cleared, set the roller handle to one of the laminating positions.
7. You can now resume laminating.

D

NL

F

E

--	--	--	--

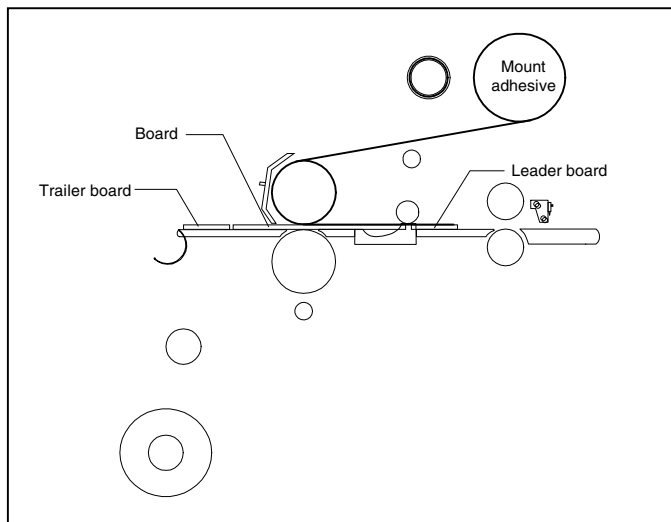


Fig. 35

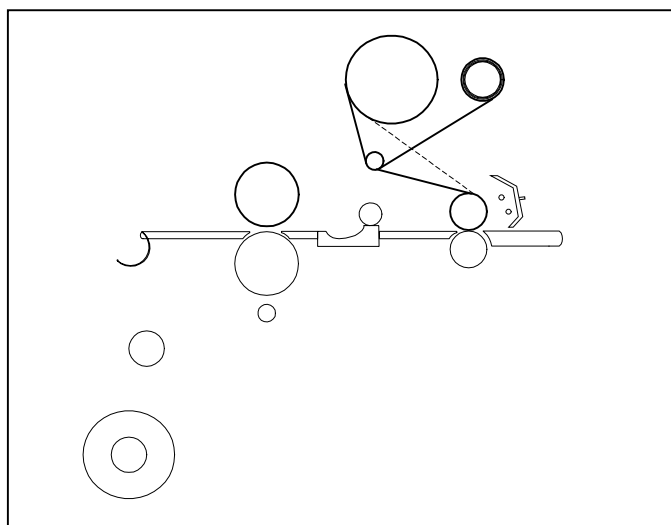


Fig. 36

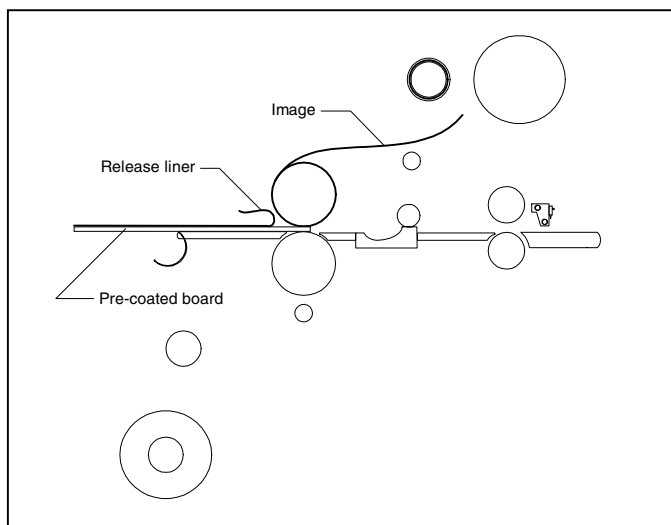


Fig. 37

## APPLICATIONS

**TIPS FOR PRE-COATING BOARDS (Figure 35)**

1. Load the laminator as illustrated in Figure 35.
2. Ensure the chill idler is in the rest position.
3. Set the roller pressure handle to the correct thickness.
4. The width of the roll should not exceed the width of the board by more than 1/2 in. (1.3 cm).
5. Use a leader board to start the run and a trailer board to finish the run.
6. Using the pull rollers will allow you to leave gaps between boards.
7. If not using the pull rollers, have the boards nearby to butt end to end during feeding.

**TIPS FOR USING THE REAR ROLLERS (Figure 36)**

1. If the front rollers are heated, you may perform certain applications from the rear operating position of the laminator.
2. Ensure the chill idler is in the rest position if using boards.
3. **Ensure** the safety shield is located in the rear position.
4. Ensure the **REAR CONTROLS** have been enabled.
5. You may perform mounting applications, pre-coating applications and single side applications from the rear of the machine.

**TIPS FOR MOUNTING PRE-COATED BOARDS (Figure 37)**

1. Load the laminator as illustrated in Figure 37.
2. Ensure the chill idler is in the rest position.
3. Ensure the chill idler is removed, the rear slitter is to one side and the inline slitters are not obstructing the path of the boards.
4. Heat, 125 °F (52 °C), may assist the process and increase output quality.
5. Do not stop once you have started the mounting process through the machine.

D

NL

F

E

--	--	--	--

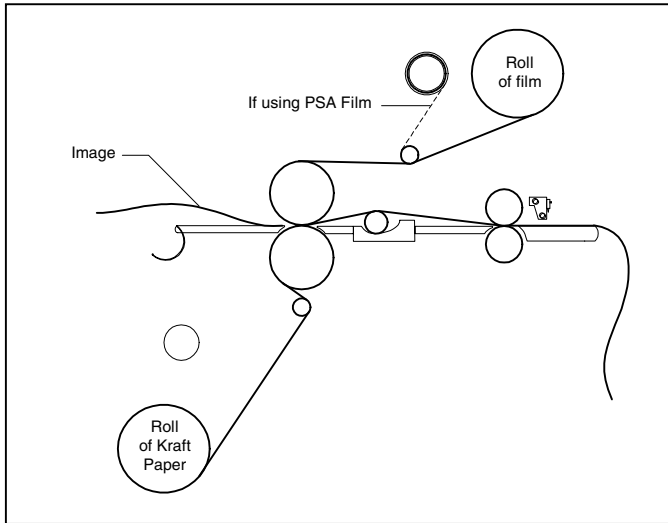


Fig. 38

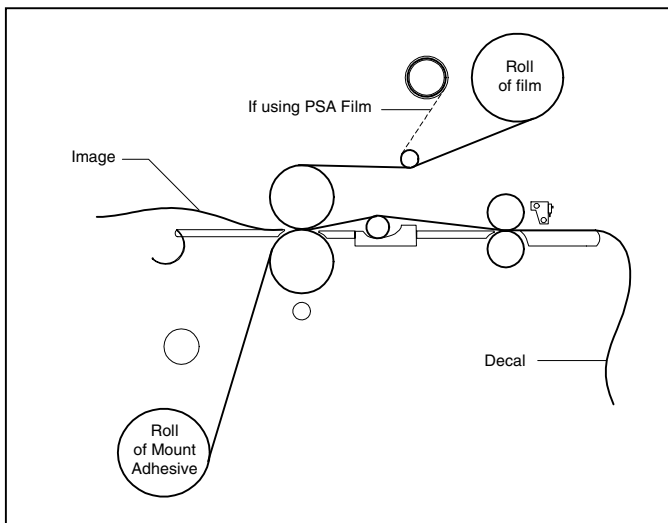


Fig. 39

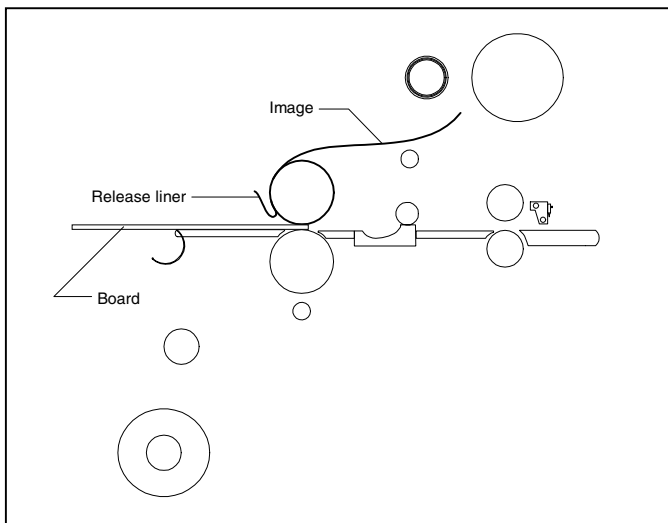


Fig. 40

#### TIPS FOR SINGLE SIDED LAMINATION (Figure 38)

1. Load the laminator as illustrated in Figure 38.
2. Use kraft paper for one-sided lamination whenever the items to be laminated are narrower than the film you are using.
3. If not using kraft paper, use a scrap piece to finish the run or you will have adhesive on your rollers.
4. Running the web over the chill idler may improve the flatness of the output.
5. A little heat, 125 °F (52 °C), may help eliminate silvering effects associated with PSA films.

#### TIPS FOR CREATING A DECAL (Figure 39)

1. Load the laminator as illustrated in Figure 39.
2. The over laminate may be PSA or thermal type.
3. If using thermal type, pay attention to the Poly-in/ Poly-out rule.
4. Run a test material prior to running the actual image to ensure flat output.
5. Use minimal brake tension to achieve quality output.
6. Do not web the PSA mount adhesive around the lower web idler.

#### TIPS FOR MOUNTING A DECAL (Figure 40)

1. Load the laminator as illustrated in Figure 40.
2. The image should not exceed the width of the board by more than 1 in. (2.54 cm) per side.
3. Tack about 1 in. (2.54 cm) of the leading edge of the decal to the leading edge of the board.
4. When tacking the leading edge, start in the center and work to the sides.
5. Use a board that exceeds the size of the decal if inexperienced in the mounting application.

D

NL

F

E

--	--	--	--

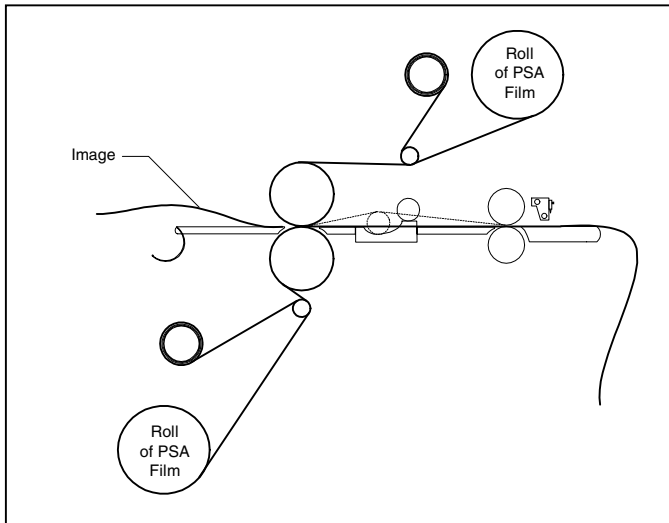


Fig. 41

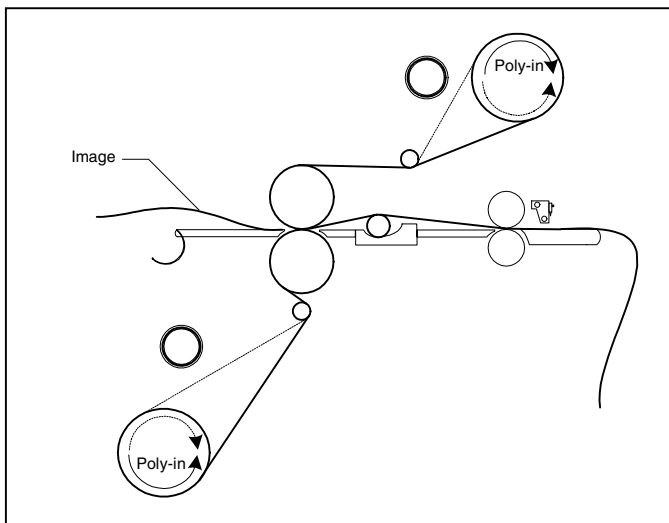


Fig. 42

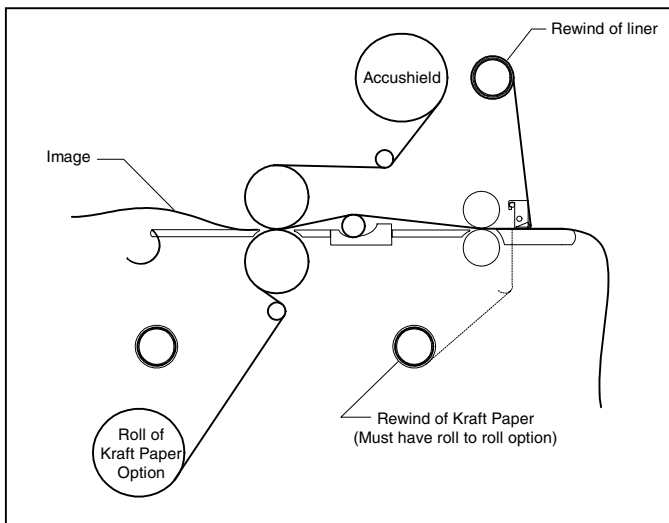


Fig. 43

#### TIPS FOR PSA ENCAPSULATION (Figure 41)

1. Load the laminator as illustrated in Figure 41.
2. Always use two rolls of the same width.
3. Use minimal brake tension to achieve flat output.
4. The separation of the laminate and the release liner should be maintained close to the heat rollers.
5. A little heat, 125 °F (52 °C), may help eliminate silvering effects associated with PSA films.
6. Use of the chill idler may or may not help in the output quality. Try both methods.

#### TIPS FOR THERMAL ENCAPSULATION (Figure 42)

1. Load the laminator as illustrated in Figure 42 for Poly-in film.
2. Dotted line represents Poly-out film web path.
3. Always use two rolls of film the same width.
4. Use minimal brake tension to achieve flat output.
5. Increase speed gradually to maintain the activating temperature required for the laminate you are using.
6. Length and width of image, ink coverage and paper type may effect the temperature and speed recommended in the **SPEED/TEMPERATURE GUIDE**.

#### TIPS FOR ACCUSHIELD (Figure 43)

1. Load the laminator as illustrated in Figure 43.
2. You must have the Separator bar option to accurately run this material.
3. Liner rewind tension will be greater than normal operating standards.
4. Do not attempt to run this material greater than a speed setting of 4.
5. To prevent some adhesive adhering to the rollers, you may choose to use a roll of kraft paper for a carrier with the roll to roll rewind option installed.

D

NL

F

E

--	--	--	--

## SPEED/ TEMPERATURE GUIDE

**This is only a general reference guide. Different settings may be suitable as the warm up time, lamination time and materials change. (Figure 44 & 45)**

Factors that may effect the speed and temperature parameters;

1. Image length
2. Image width
3. Ink coverage
4. Paper type
5. Laminate thickness
6. Operating environment
7. Condition of the rollers
8. Line voltage (effects heaters)
9. Using vacuum and/ or cooling features.

12/02 You may have to adjust temperature or speed depending on stock finish, thickness and ink coverage.

\*Turn heat off when not in use.

Stock	Film Gauge	Nap-Lam II		Nap-Lam I		*Vinyl		Premium		Hi-Tac	
		Settings		Settings		Settings		Settings		Settings	
		Temp (F)	Speed	Temp (F)	Speed	Temp (F)	Speed	Temp (F)	Speed	Temp (F)	Speed
<b>20# Bond</b>	mil										
	1.5	248	8	290	7					255	8
	3	239	6	270	5			225	4		
	5	230	5	250	3	230	5	220	3		
	10	221	3					210	3		
<b>80# Bond</b>	1.5	248	6	295	7					255	6
	3	239	5	275	5			230	4		
	5	230	3	250	2	230	3	225	3		
	10	221	2					215	3		
<b>10 Pt. Board</b>	1.5	248	5	300	6					255	4
	3	239	4	275	4			235	4		
	5	230	2	250	2	230	2	230	3		
	10	221	2					220	2		

**Fig. 44**

Stock	Film Gauge	Nap-Lam II		Nap-Lam I		*Vinyl		Premium		Hi-Tac	
		Settings		Settings		Settings		Settings		Settings	
		Temp (C)	Speed	Temp (C)	Speed	Temp (C)	Speed	Temp (C)	Speed	Temp (C)	Speed
<b>20# Bond</b>	mic										
	38	120	8	143	7					123	8
	75	115	6	132	5			107	4		
	125	110	5	121	3	110	5	104	3		
	250	105	3					99	3		
<b>80# Bond</b>	38	120	6	146	7					123	6
	75	115	5	135	5			110	4		
	125	110	3	121	2	110	3	107	3		
	250	105	2					107	3		
<b>10 Pt. Board</b>	38	120	5	149	6					123	4
	75	115	4	135	4			112	4		
	125	110	2	121	2	110	2	110	3		
	250	105	2					104	2		

Fig. 45

## THE ART OF LAMINATION

### BASIC RULES

**Do not attempt to laminate abrasive or metal objects such as staples, paper clips and glitter, as they may damage the heat or pull rollers.**

**Do not force items into the nip area of the heat rollers. An item that is not easily drawn into the laminator by the heat rollers is probably too thick to laminate.**

**Wrinkles may result if an attempt is made to reposition an item once it has been grasped by the heat rollers.**

**Do not stop the laminator before an item has completely exited the pull rollers. Even a momentary stop will cause a mark (heat line) on the laminated item.**

Good, consistent lamination is a result of combining proper heat, tension and dwell time. Dwell time is controlled by the speed of the motor and is defined as the amount of time the material to be laminated is compressed between the heat rollers.

As a general rule, thicker items and film need to run at slower speeds because they extract more heat from the rollers at a quicker rate. Setting the speed control at slower settings gives the laminator longer dwell time thus allowing proper lamination of thick items.

Thinner items, such as standard copier paper (20 lb. bond) and tissue paper, extract less heat from the rollers and can be run at faster speeds.

### FILM TENSION

Proper film tension, known as brake tension, is the minimum amount required to eliminate wrinkles in the finished item. The film should be taut. A properly adjusted roll of film should not require excessive force to turn by hand.

Film tension should be enough to introduce a minor amount of drag as the film unrolls. Insufficient tension causes wrinkles, while too much tension causes stretching (necking). Uneven tension between the top and bottom rolls create curl. Too much upper tension creates upward curl while too much bottom tension causes downward curl.

The pull roller clutch is set at the factory. Periodic adjustments may be necessary if after adjusting unwind and rewind brake tensions do not improve your output quality.



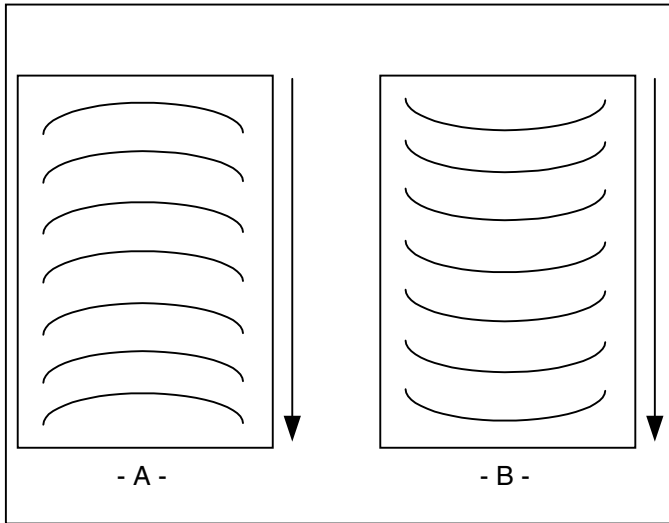


Fig. 46

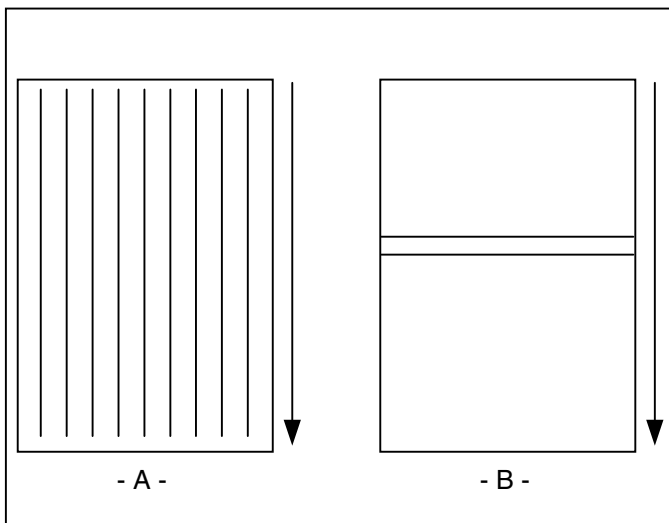


Fig. 47

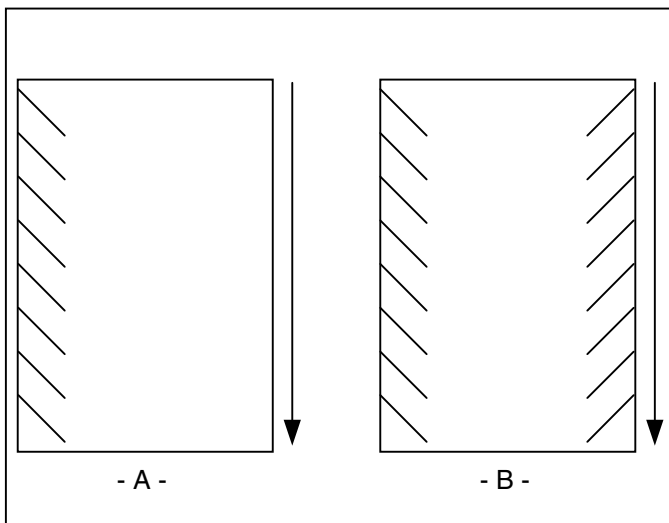



Fig. 48

#### HEAT

The “**WAIT (Too COLD)**” indicator may appear if the speed is set too fast for the material being laminated. Either lower the speed setting or press **STOP**  and wait until the “**READY**” indicator appears.

Operation of the laminator for more than thirty minutes at a time may necessitate a lower speed setting. It is recommended that, during periods of long runs, the items being laminated are alternated between thick and thin. **Do not combine thick and thin items at the same time, as this will result in a poor edge seal around the thinner material.** If you are unsure that the laminator is set at the proper speed for the item to be laminated, run a test piece (scrap) of the same or similar material through the laminator. This procedure is recommended because rotating the heat roller prior to lamination will more evenly distribute the heat. Make speed adjustments if necessary.

#### OUTPUT

1. “**D**” waves in the image (Figure 46 A).
  - Check paper tension.
  - Paper may be damp or not dry.
2. “**D**” waves in the laminate (Figure 46 B).
  - Change roller handle pressure.
3. Straight waves in output (Figure 47 A).
  - Check operational settings for materials being used.
4. Indent waves in output after pull rollers (Figure 47 B).
  - Insufficient cooling time.
  - Output was handled prior to cooling.
  - Use cooling feature if not on.
  - Machine was stopped on print.
5. Angled waves in the output (Figure 48 A & B).
  - Change roller handle pressure.
  - Check for even paper tension (Figure 45 A only)

D

NL

F

E

--	--	--	--

## MAINTENANCE

### CARING FOR THE GBC TALON 44/64 LAMINATOR

GBC offers Cleaning kits as well as Extended Maintenance Agreements.

Contact your local GBC Service Representative or your dealer/distributor for additional information.

The only maintenance required by the operator is to periodically clean the heat rollers and schedule semi annual maintenance checks.

The following procedure will help keep the heat rollers free of adhesive that has been deposited along the edge of the laminating film. Proper alignment of the rolls of film reduces the amount of "squeeze out".



**WARNING: Do not attempt to laminate adhesives marked "Flammable".**

- Do not laminate glitter and/ or metallic items. Damage to the rollers may result.



**WARNING: Do not apply any cleaning fluids or solvents to the rollers. Some solvents and fluids could ignite on heated rollers.**

- Never clean rollers with sharp or pointed objects.
- Hardened adhesive deposits on the rollers can cause damage to the rollers. Rotate the rollers at the lowest speed setting on the control panel.



**CAUTION: THE FOLLOWING PROCEDURE IS PERFORMED WHILE THE LAMINATOR IS HOT. USE EXTREME CAUTION.**

1. Remove the film from the laminator following the procedure outlined in steps 1 through 6 of the section entitled **TO UNWEB THE LAMINATOR**.
2. Preheat the laminator until the "READY" indicator appears.
3. Remove the safety shield and tilt the feed table.
4. Rub the top and bottom heat rollers with a 3M™ Scotch-Brite™ pad . **DO NOT USE METAL SCOURING PADS!**
5. Use the footswitch to rotate the lower heat/pull roller to an unclean portion. The upper heat/ pull rollers are free spinning. Continue this process until the complete surface of both rollers are clean.
6. Refer to the beginning of the section entitled **OPERATING INSTRUCTIONS** to web your laminator.

**\*NOTE:** Do not use metal scouring pads to clean the rollers.



## TROUBLESHOOTING GUIDE

SYMPTOM	POSSIBLE CAUSE	CORRECTIVE ACTION
<ul style="list-style-type: none"> <li>The control panel display does not illuminate when <b>POWER ON/OFF</b> is in the <b>ON</b>, marked "I", position.</li> </ul>	Laminator not connected to electrical supply.	Insert attachment plug into receptacle.
<ul style="list-style-type: none"> <li>Heat rollers do not turn when I press the <b>RUN</b> (↻) button.</li> </ul>	Safety shield is not properly installed.  Feed table not properly installed. E-STOP is engaged	Remove safety shield and properly replace it.  Tilt feed table and properly replace it. Pull out on the E-STOP push button.
<ul style="list-style-type: none"> <li>Heat rollers only turn if I use the footswitch.</li> </ul>	Laminator is in Footswitch mode.	disengage the footswitch mode.
<ul style="list-style-type: none"> <li>Rear controls do not operate.</li> </ul>	Rear controls are not enabled. Safety shield is not installed in the rear position.	Enable rear controls. Remove the rear slitter and install the safety shield.
<ul style="list-style-type: none"> <li>Laminated items exhibit curling.</li> </ul>	Tension between the top and bottom film roll is unequal.  Tension on top or bottom roll of film is too loose.  Speed setting too slow.  Bottom film roll may be improperly loaded.  Chill idler not used.	Adjust tension per section <b>FILM TENSION</b> .  Adjust tension per section <b>FILM TENSION</b> .  Slightly speed up the laminator.  Make sure bottom roll of film is around idler bar and the it is in the normal operating position.  Move the chill idler to the web position.
<ul style="list-style-type: none"> <li>Adhesive deposited on heat rollers.</li> </ul>	Top and bottom film webs not aligned.  Laminate improperly loaded.	Release heat and pull roller pressure, align the rolls of film.  Adhesive (matte) side of laminate film may be against the heat rollers. Unweb and reload the film properly.
<ul style="list-style-type: none"> <li>Unsatisfactory adhesion of laminate.</li> </ul>	Speed setting too fast for type of material being laminated.  Insufficient heat. Laminate improperly loaded.  Heat rollers require cleaning.  Laminated item unsuitable for adhesion.	Lower speed setting by pressing <b>SLOW</b> button to slower speed  Wait for " <b>READY</b> " indicator to appear in the control panel display. Adhesive side of film must be facing away from the heat rollers. Bottom roll of film not threaded behind the idle bar.  Clean heat rollers per procedure in section <b>CARING FOR THE GBC TALON 44/64 LAMINATOR</b> . Item may be dirty or may have nonporous surface that is extremely difficult to laminate.
<ul style="list-style-type: none"> <li>Waves in my output</li> </ul>	See sub section <b>OUTPUT</b> . Nips may be out of calibration.	Under section titled <b>THE ART OF LAMINATION</b> . Place a service call for calibration check.

### SERVICE AGREEMENT

GBC's Equipment Maintenance Agreement will insure the quality performance and long life built into your laminator.

A service charge for travel time, labor and parts may be incurred for each out of warranty service call. GBC's Equipment Maintenance Agreement decreases these expenses and protects your valuable investment. GBC offers several types of agreements to suit your needs and budget. To contact GBC write to:

GBC NATIONAL SERVICE  
 ONE GBC PLAZA  
 NORTHBROOK, IL 60062 U.S.A.  
 1.847.272.3700

IN CANADA:

GBC NATIONAL SERVICE  
 49 RAILSIDE ROAD  
 DON MILLS, ONTARIO  
 M3A 1B3

Part Number 930-097 Revision -











**This page intentionally left blank.**





**General Binding Corporation**  
**One GBC Plaza**  
**Northbrook, IL 60062-4195**

---