

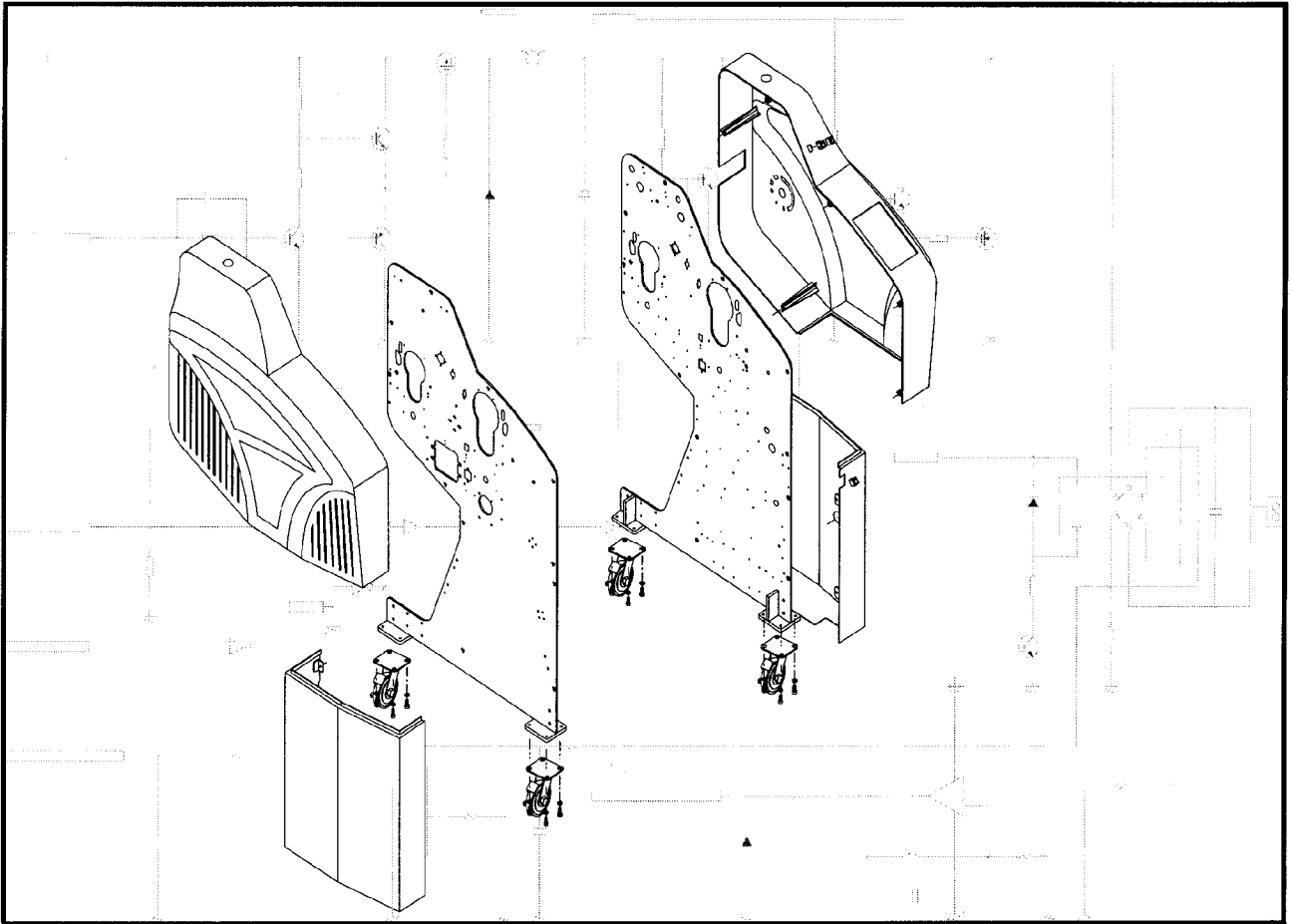


TALON 80 Parts List

GBC IS AN ACCO BRANDS COMPANY

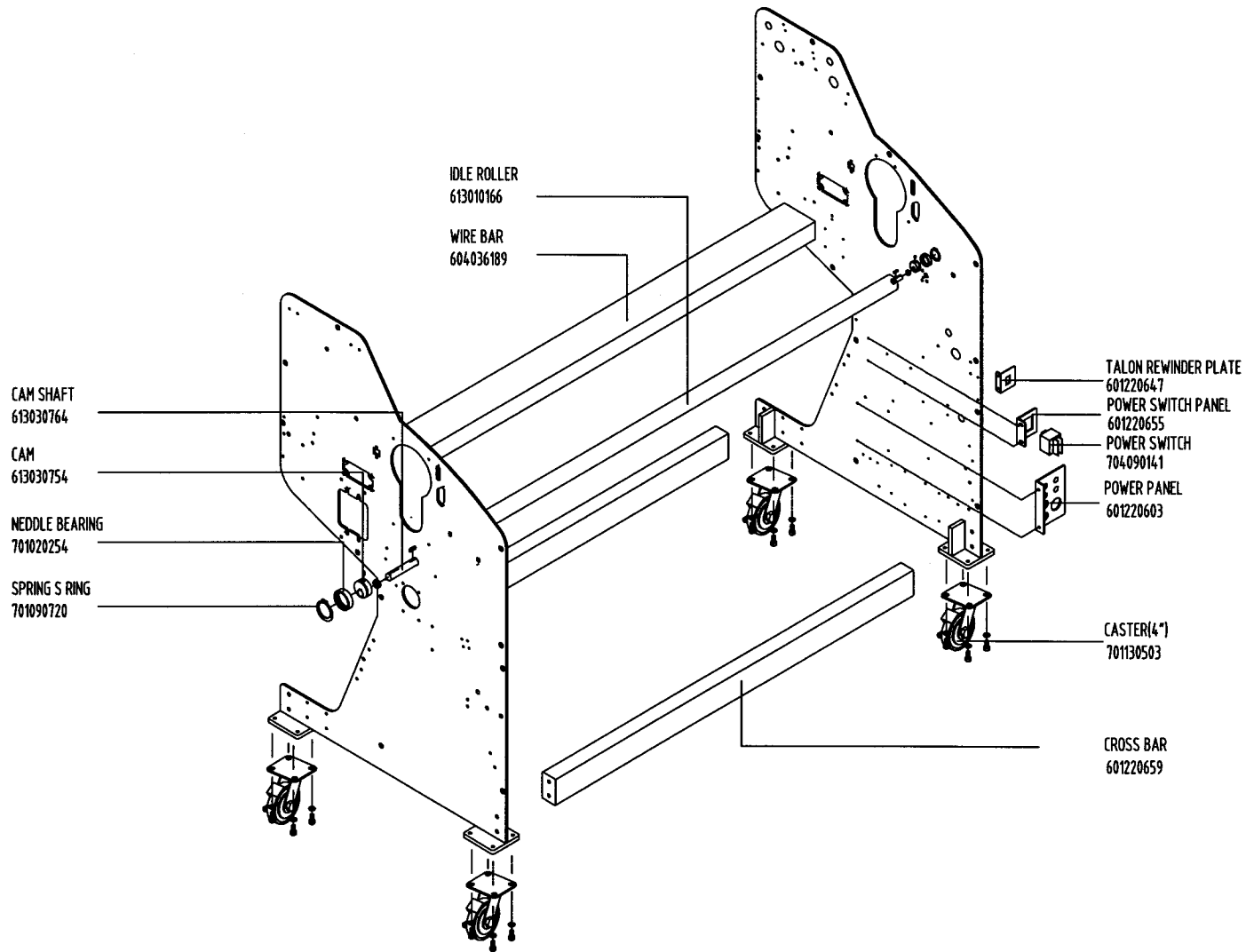


GBC TALON 80 ILLUSTRATED PARTS AND SCHEMATIC BOOK



Illustrated Parts

Electrical Schematics



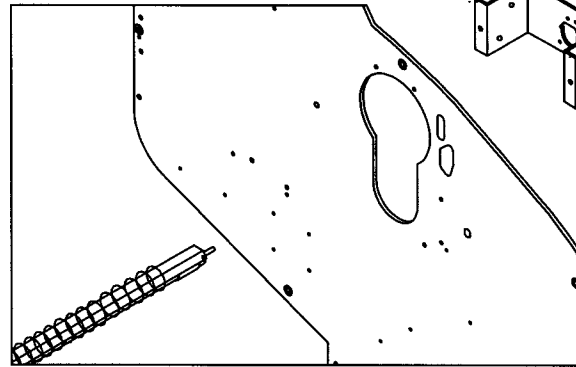
???? ?? ??? ??

	Quantity	1EA	Designed	Checked	Approved	Scale	1/1	DATE	2003. 03. 11
	Material					Unit	mm	MODEL	TALON-80
	Sur/finish					Project	3	PART NAME	TALON-BODY PART
	Tolerance	±0.1	GMP CO., LTD			DRAWING No.	TL80E010		
	Chamfer	C0.5				PART CODE			
DATE	Round	R1.0							

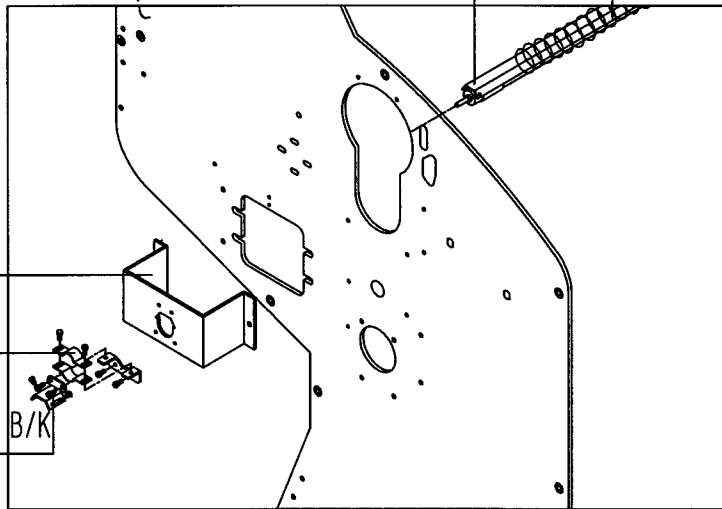
BI-METAL THERMOSTAT
704150111

Heater wires see TSSB 1000I

HEAT ASS'Y
706025222
HEAT SUPPORT BAR
601220660



HEAT SUPPORT
601220639
HEAT HOLDER
601220527
HEAT SUPPORT BAR B/K
601220518



ΓΙΩ ΕΡ ΠΕΟ «Ι

5	Quantity	1EA	Designed	Checked	Approved	Scale	1/1	DATE	2003. 03. 11
4	Material					Unit	mm	MODEL	TALON-80
3	Sur/finish					Project	3	PART NAME	TALON - HEART PART
2	Tolerance	±0.1	GMP CO., LTD			DRAWING No.	TL80E050		
1	Chamfer	C0.5				PART CODE			
	DATE	Round	R1.0						

HEAT ROLLER BUSH(LOW)
613030715

701050291

HEAT ROLLER BUSH(UP)
613030714
DU5020
701050291

H/ROLLER
607040151

STEEL CHAIN GEAR
701080513

TENSION PLATE
601220636

HEAT ROLLER PRESSURE(L)
601220634

SPRING S RING
701090730

SAFETY LOCK PLATE(L)
601220594

SWITCH BRACKET(L)
601220590

HEAT ROLLER SUPPORT(L)
601220637

ROLLER PRESSURE GUIDE PIN
613030723

SOLID STATE RELAY
705090302

HEAT ROLLER PRESSURE
601220635
SWIECH BRACKET(R)
601220595
SAFETY LOCK PLATE(R)
601220591

SENER PLATE
601220650
HEAT ROLLER SUPPORT(R)
601220638

INTERRUPTER PCB
706011163
SENER PLATE
601220543


Chip Rev. 2.1.1

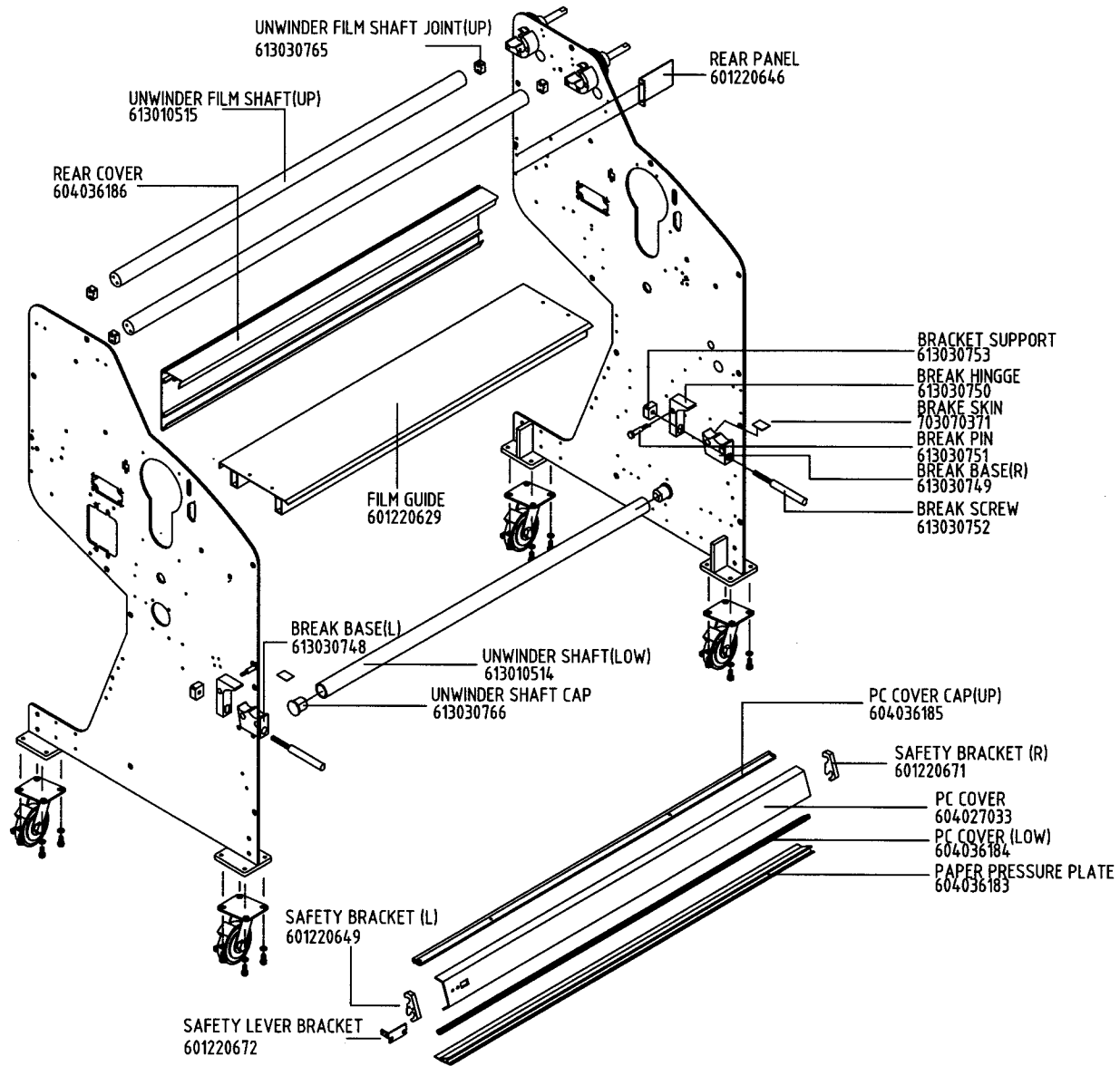
PCB ASS'Y
706011731


PCB, MAIN
638900268

TRANSFORMER GM9661S-234
610011706

FERRITE EMI FILTER
705031302

5	Quantity	1EA	Designed	Checked	Approved	Scale	1/1	DATE	2003. 03. 11
4	Material					Unit	mm	MODEL	TALON-80
3	Sur/finish					Project	3	PART NAME	TALON - ROLLER PART
2	Tolerance	±0.1	 GMP CO., LTD			DRAWING No.		TL80E030	
1	Chamfer	C0.5				PART CODE			
	DATE	Round	R1.0						

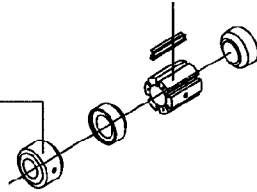


△	Quantity	Designed	Checked	Approved	Scale	N/S	DATE	2003.03.11
△	Material				Unit	N/A	MODEL	TALON-80
△	Sur/finish				Project	3D	PART NAME	TALON - REAR PART
△	Tolerance	 GMP CO., LTD					DRAWING No.	TL80E020
△	Chamfer						DRAWING No.	TL80E020
△	DATE						Round	PART CODE

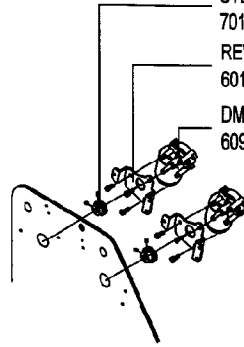
O-RING FOR CORE CHUCK (NOT SHOWN)
634300057

Core Chuck Use 639900132

FILM SUPPORT
613030756

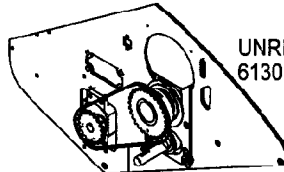


STEEL SPUR GEAR
7011080183
REWINDER MOTER BRCKET
601220538
DM010
6090202



FILM TENSION BLOCK
613030721
REWINDER STOPPER
601220648
FILM RIRE SPRING
701090140
FRICTION DISK
703070114
STEEL SPUR GEAR
701080184
OUT TENSION DISK
601230711

UNREWINDER STOPPER (L,R)
613030767(613030768)



TENSION BOLT
613030769
THRUST WASHER
701110703
THRUST NEDDLE BEARING
701020213
DU BUSH
701050183

TRIMMER REAIL
604036180

TRIMMER BRACKET(R)
601220654

CONTROL PANEL STICKER
802040344

CONTROL KEY
703020252

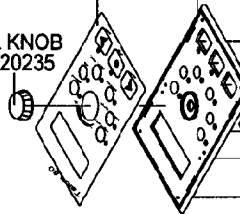
CONTROL PANEL
703020233

CONTROL KEY
703020234

CHAIN(31PCS)
701070211

DIAL KNOB
703020235

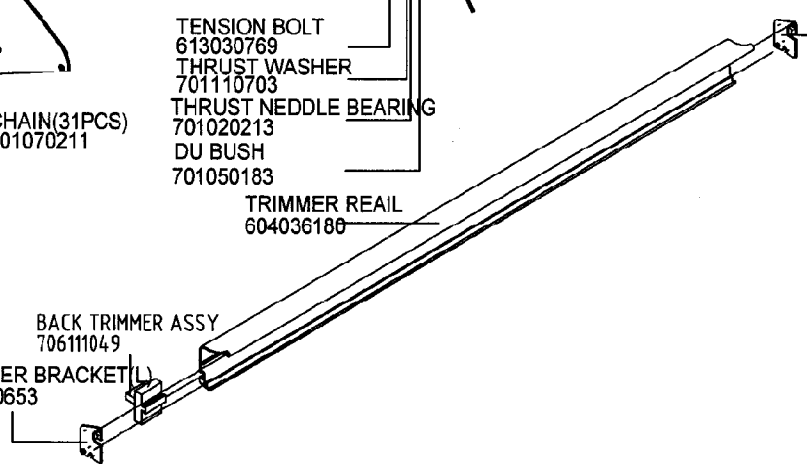
DISPLAY PCB
706011733




LCD(UMS-3075)
705031114

BACK TRIMMER ASSY
706111049

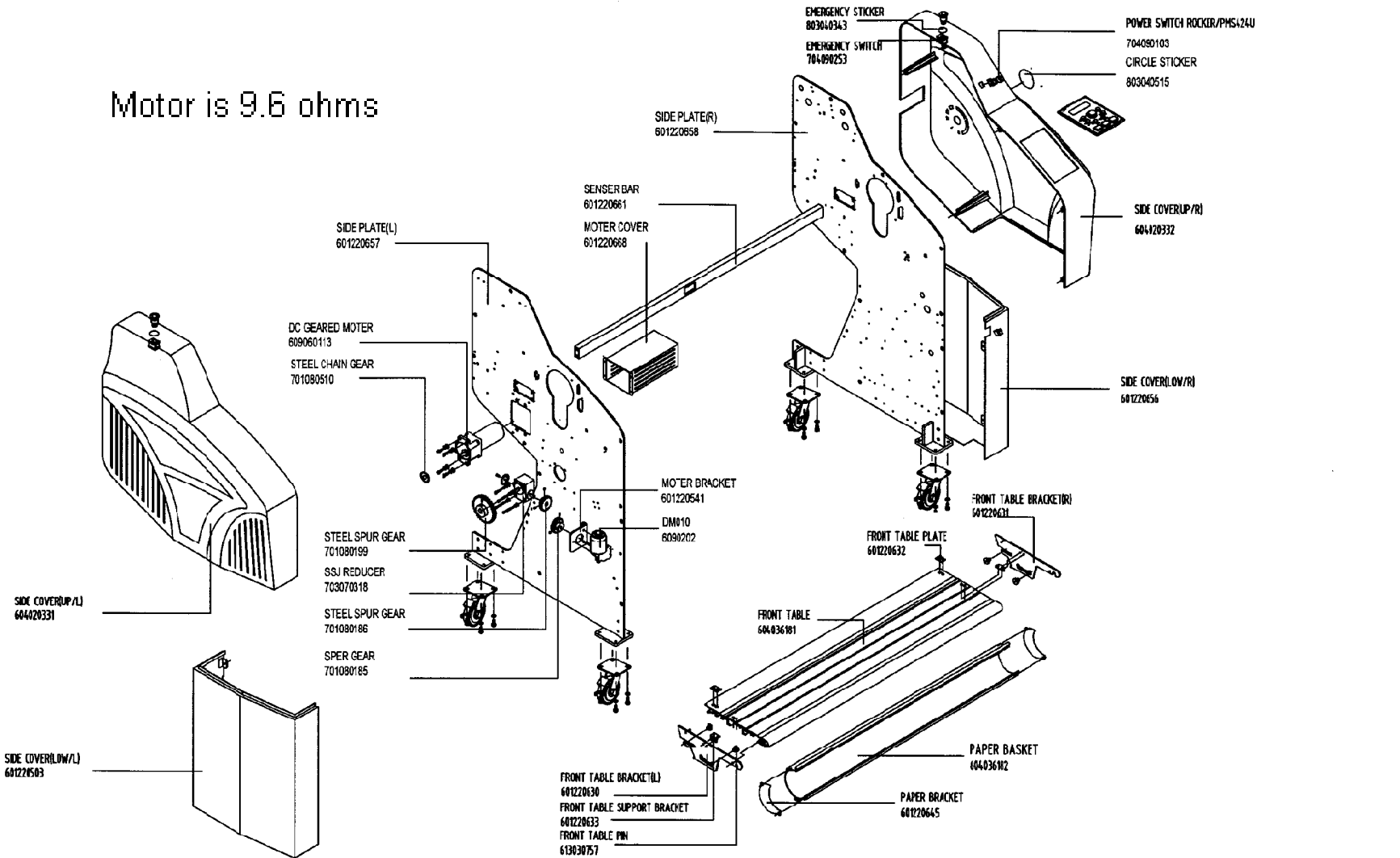
TRIMMER BRACKET(L)
601220653



□□□□ □□ □□ □□

⑤	Quantity	1EA	Designed	Checked	Approved	Scale	1/1	DATE	2003. 03. 11
④	Material					Unit	mm	MODEL	TALON-80
③	Sur/finish					Project	3	PART NAME	TALON - SPERE PART
②	Tolerance	±0.1						DRAWING NO	TL80E060
①	Chamfer	C0.5						PART CODE	
	DATE	Round	R1.0			GMP CO., LTD			

Motor is 9.6 ohms

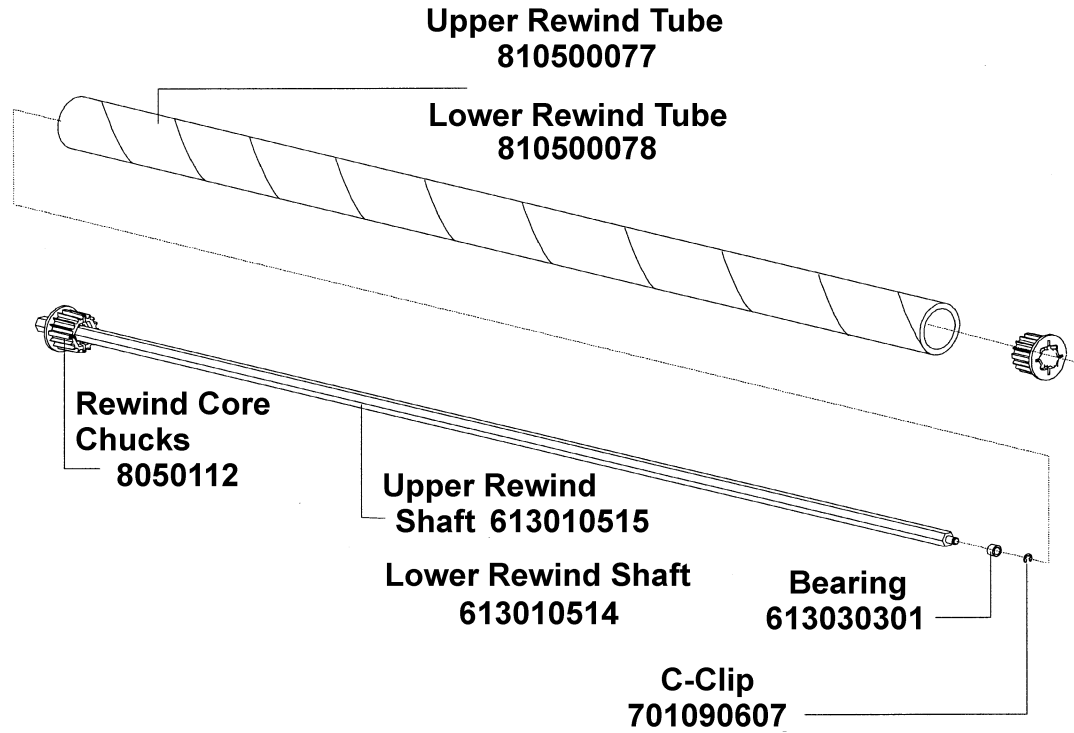


	Quantity	1EA	Designed	Checked	Approved	Scale	1/1	DATE	2003. 03. 11	
	Material					Unit	mm	MODEL	TALON-80	
	Surf/finish					Project	3	PART NAME	TALON - COVER PART	
	Tolerance	±0.1			CO., LTD		DRAWING No			TL80E040
	Chamfer	C0.5					PART CCDE			
DATE	Round	R1.0								

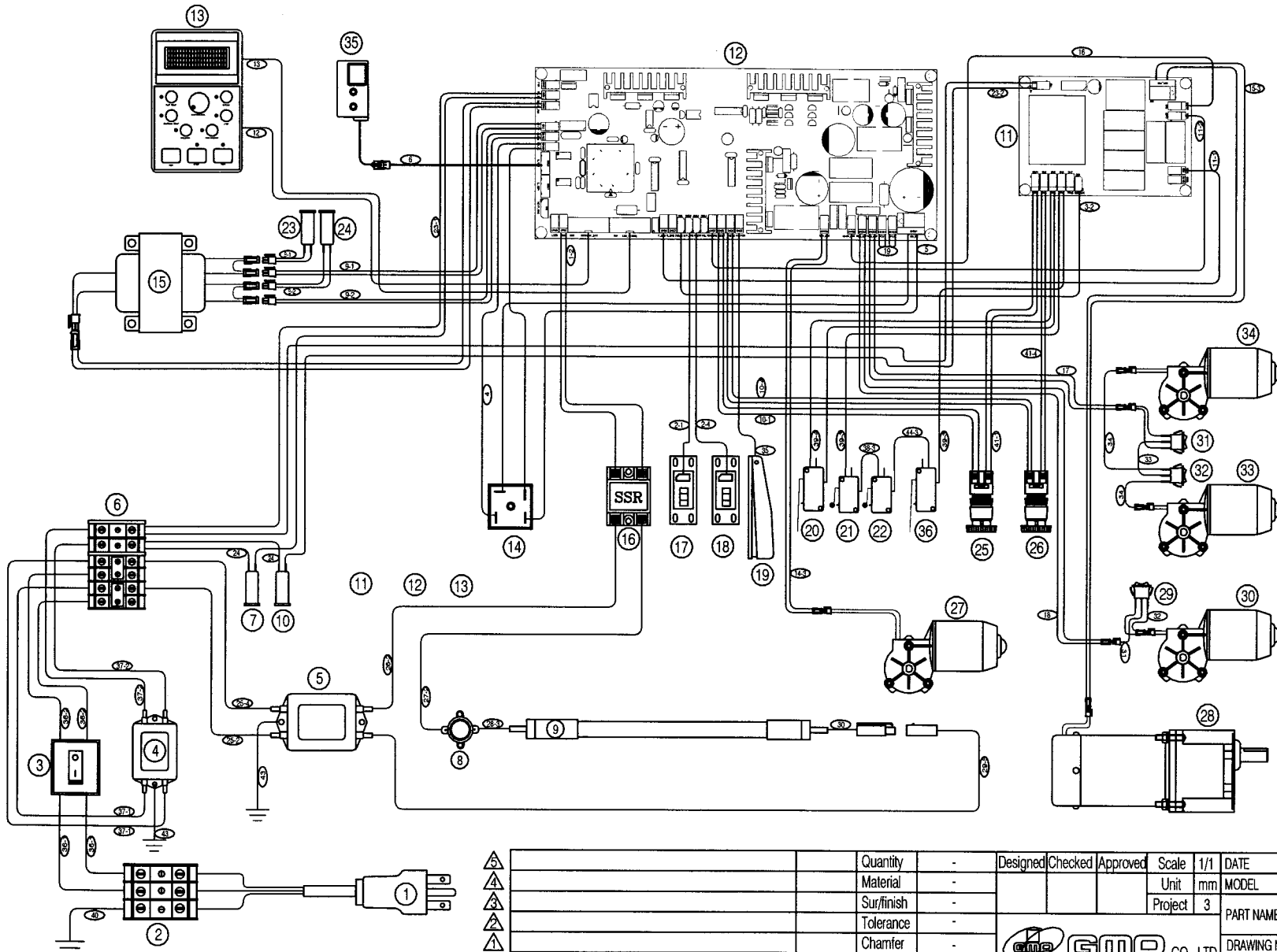
PROPRIETARY

ALL PRO-TECH CLAIMS PROPRIETARY RIGHTS TO THE MATERIALS INCLUDED ON THIS DRAWING, IT IS MADE IN CONFIDENCE FOR ENGINEERING INFORMATION ONLY AND SHALL NOT BE REPRODUCED, COPIED OR ENCLOSED IN WHOLE OR IN PART, OR USED FOR MANUFACTURE OR FOR ANY OTHER PURPOSE WITHOUT WRITTEN PERMISSION FROM ONE PRO-TECH

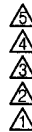
**TALON 80
Rewind Tube Assembly**



TALON80 WIRING DIAGRAM(220V/60)



COMPONENT NAME
① POWER CORD(USA)
② JUMPER TERMINAL BLOCK
③ CIRCUIT BREAKER
④ CIRUIT FOR NOISE FILTER
⑤ UPPER HEATER FOR NOISE FILTER
⑥ MAIN TERMINAL BLOCK
⑦ GM8661S-234 PRIMARY FUSE
⑧ UPPER THERMOSTAT
⑨ UPPER HEATER
⑩ RELAY PCB(EMO PCB) PRIMARY FUSE
⑪ RELAY(EMO) PCB
⑫ MAIN PCB
⑬ DISPLAY PCB
⑭ BRIDGE DIODE
⑮ GM8661S-234 TRANSFORMER
⑯ UPPER SSR
⑰ PULSE ORIGIN SENSOR
⑱ PULSE COUNT SENSOR
⑲ FOOT SW
⑳ COVER MICRO SW
㉑ FRONT SAFETY MICRO SW1
㉒ FRONT SAFETY MICRO SW2
㉓ AC17V PROTECTION FUSE
㉔ AC36V PROTECTION FUSE
㉕ EMERGENCY SW1
㉖ EMERGENCY SW2
㉗ TENSION MOTOR
㉘ MAIN MOTOR
㉙ REWIND MOTOR SW1
㉚ REWIND MOTOR1
㉛ REWIND MOTOR SW2
㉜ REWIND MOTOR SW3
㉝ REWIND MOTOR2
㉞ REWIND MOTOR3
㉟ UPPER INFRARED TEMP SENSOR
㊱ FRONT SAFETY MICRO SW3



Quantity	-	Designed	Checked	Approved	Scale	1/1	DATE	2003.2.5
Material	-				Unit	mm	MODEL	TALON80
Sur/finish	-				Project	3	PART NAME	WIRE DIAGRAM(220V/60)
Tolerance	-						DRAWING No	TL80W100
Chamfer	-						PART CODE	
REVISION	DATE	Round						