



SPARTAN Parts List

GBC IS AN ACCO BRANDS COMPANY



9.0 Parts Information

The parts list is in numeric order. The parts illustrations are in assembly order. If a part you require does not exist in the parts list or in the parts illustration section, contact your local service representative for assistance.

9.1 Parts list

DWG #	Part #	Item Description
1	6090202	MOTOR (DM010)
1,2	601211157	BACK COVER SUPPORT
4	601230123	POWER PANEL
2	601230493	ROLLER HOOK (L)
3	601230494	ROLLER HOOK (R)
2,3	601230511	HEAT ROLLER SUPPORT
2,3	601230521	INFRARED HEATER SUPPORT
2	601230537	ECCENTRIC HOOK (L)
3	601230538	ECCENTRIC HOOK (R)
1	601230751	BOTTOM PLATE
1	601230752	SIDE PLATE (L)
1	601230753	SIDE PLATE (R)
1,4,5	601230754	MAGNET PLATE
4	601230755	SAFETY COVER (R)
5	601230756	SAFETY COVER (L)
1	601230757	PCB SUPPORT
8	601230758	TOP COVER BRACKET (R)
8	601230759	TOP COVER BRACKET (L)
6	601230760	GUIDE PLATE (UP)
6	601230761	GUIDE PLATE (LOW)
8	601230762	HEAT INSULATOR
11	601230763	STAND BRIDGE
11	601230764	STAND ROD (R)
11	601230765	FILM TRAY BRACKET
11	601230767	BOARD GUIDE PLATE
11	601230768	STAND ROD (L)
1	601230769	SENSOR BRACKET
7	604020327	SIDE COVER (L)
7	604020328	SIDE COVER (R)
9	604036051	FRONT COVER
6,8	604036052	TOP COVER
7,9	604036053	FRONT TABLE
1	604036054	REAR TABLE
6	604036055	REAR COVER
6	604036056	BACK COVER
4,5	604620101	MAGNET
1	607040514	HEAT ROLLER
1	610010210	TRANSFORMER
3	613011005	ROLL ECCENTRIC LEVER STOPPER
2,3	613011011	ECCENTRIC BUSHING

DWG #	Part #	Item Description
7	613011012	ECCENTRIC LEVER
11	613020501	FILM TRAY PIPE
11	613020502	BOARD GUIDE
1	613030304	HEAT ROLL BUSHING
1	613030411	ECCENTRIC SHAFT
2	613030544	IDLER PIN
2,3	701020210	NEEDLE ROLL BEARING
2	701050243	BUSHING #1510
1	701050265	BUSHING #3015
2	701070127	CHAIN #25
1	701080173	STEEL SPUR GEAR
2	701080248	STEEL 1/4CHAIN GEAR
2	701080320	STEEL SPUR + CHAIN GEAR
2	701080605	STEEL SPUR + SPUR GEAR
2,3	701090103	ROLLER SPRING
2,3	701090714	SNAP RING #22
2,3	701090716	SNAP RING #40
11	701130502	CASTER
1	703010103	RUBBER FOOT
4	703010211	RING
2,3	703010332	SILICON SPACER
10	703020230	KNOB
10	703020241	SWITCH PANEL
7	703021051	TENSION LEVER HANDLE
4	704031123	CORD PLUG, 250V (USA)
4	704090102	POWER SWITCH
3	704090421	LIMIT SWITCH
4	704091046	CIRCUIT BREAKER
4	704140406	STRAIN RELIEF
2	704150109	THERMOSTAT (105°C)
1	705200201	INFRARED SENSOR
1	706011031	PCB ASS'Y SPARTAN MAIN
10	706011032	PCB ASS'Y SPARTAN DISPLAY
3	706025064	SPARTAN INFRARED HEATER ASS'Y
7	802040325	NAME STICKER/SPARTAN
10	802105034	SWITCH PANEL STICKER/SPARTAN
7	803030389	GBC RATING PLATE
6	803040323	WARNING STICKER
11	803040327	WARNING STICKER
7	803040353	SPARTAN TENSION STICKER

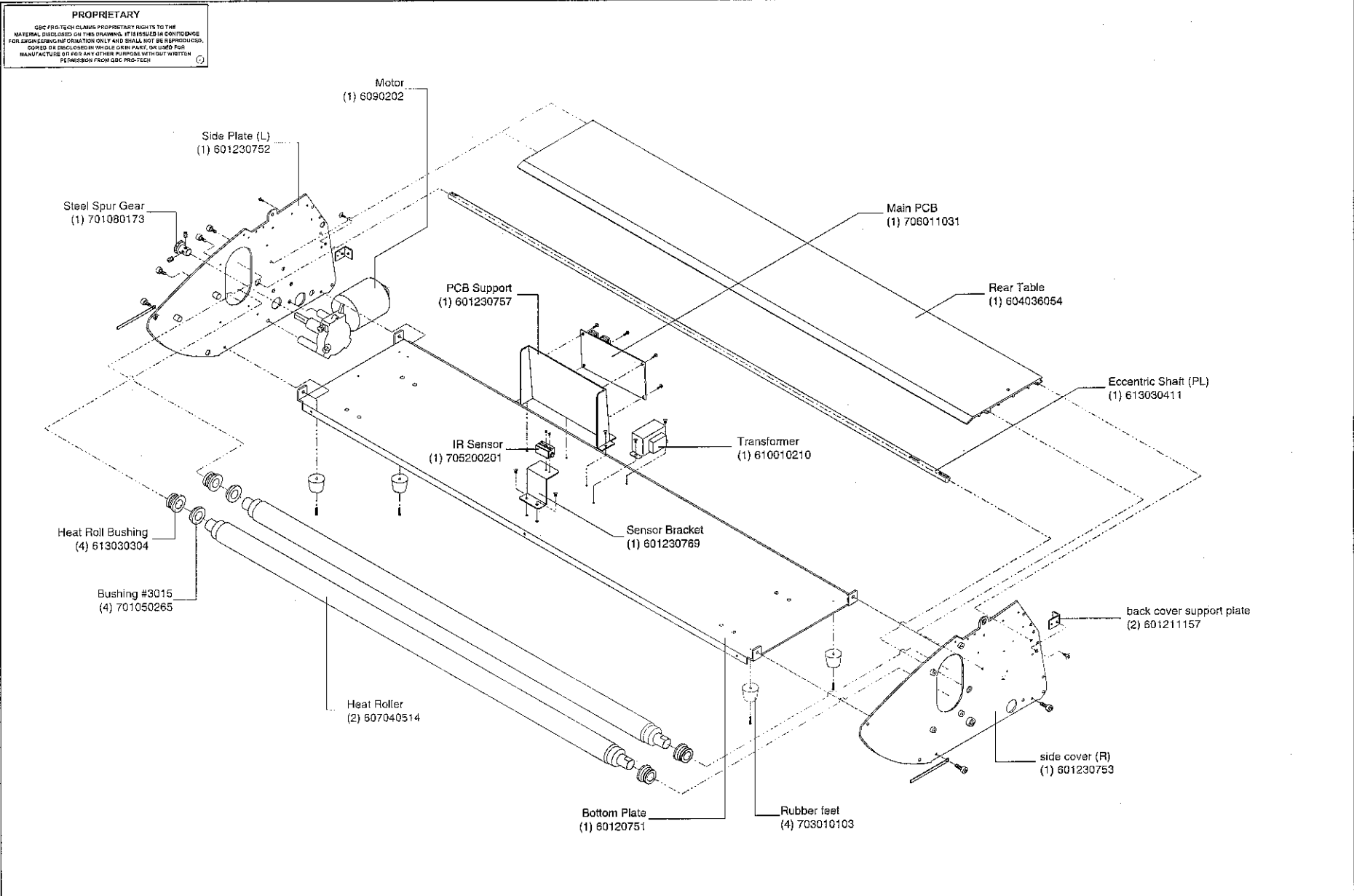
9.2 Parts Illustrations



WARNING: Illustrated parts drawings are to be used only for ordering parts. They should not be used to perform repair work yourself. Contact your local service representative for service.

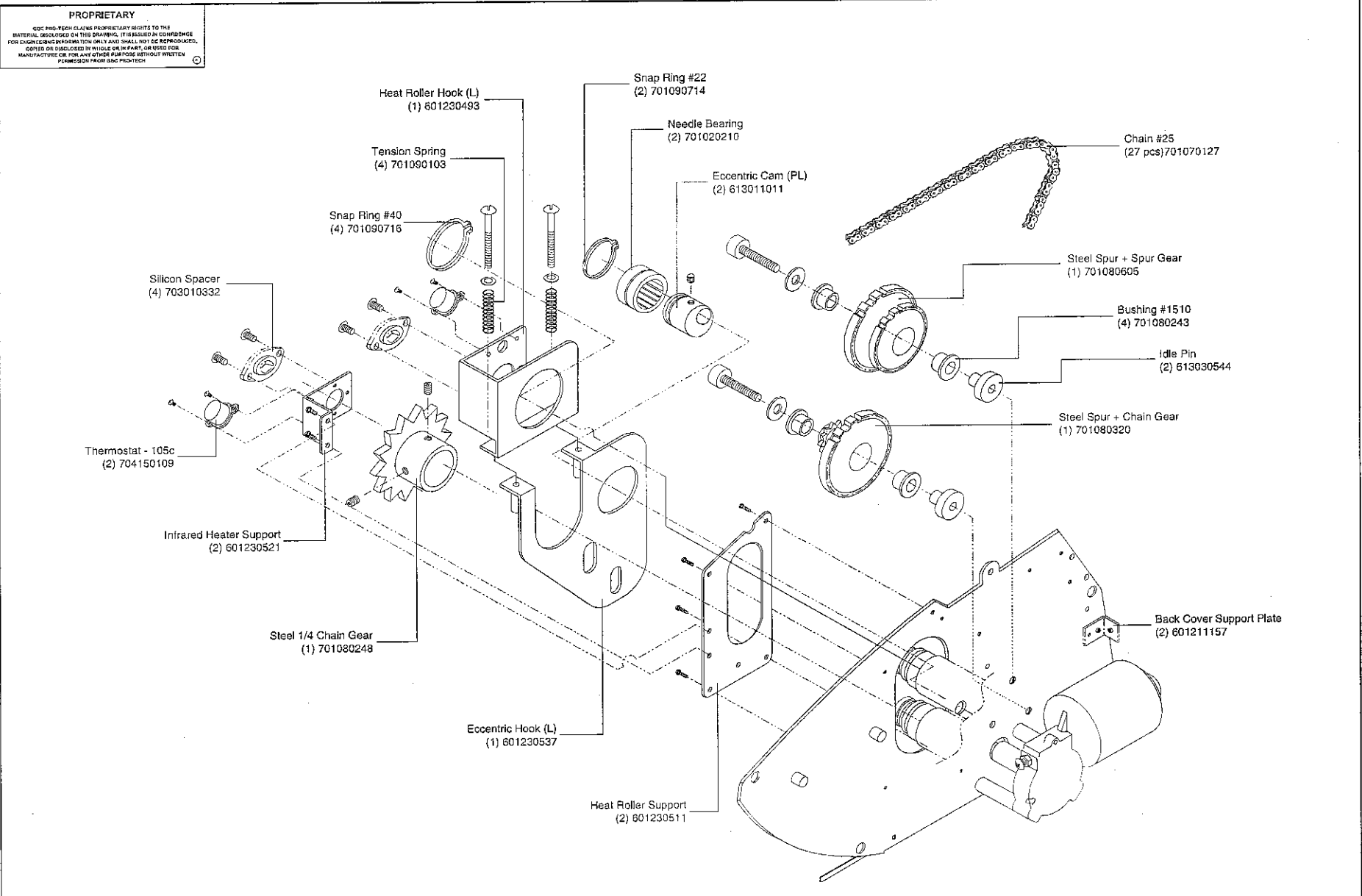


INFORMATION: The numeric value in the (), represent quantity per machine, not per assembly.



PROPRIETARY
 GBC PRO-TECH CLAIMS PROPRIETARY RIGHTS TO THE MATERIAL SUBMITTED ON THIS DRAWING. IT IS HEREBY IN CONFIDENCE FOR ENGINEERING INFORMATION ONLY AND SHALL NOT BE REPRODUCED, COPIED OR DISCLOSED IN WHOLE OR IN PART, OR USED FOR MANUFACTURE OR FOR ANY OTHER PURPOSE WITHOUT WRITTEN PERMISSION FROM GBC PRO-TECH.

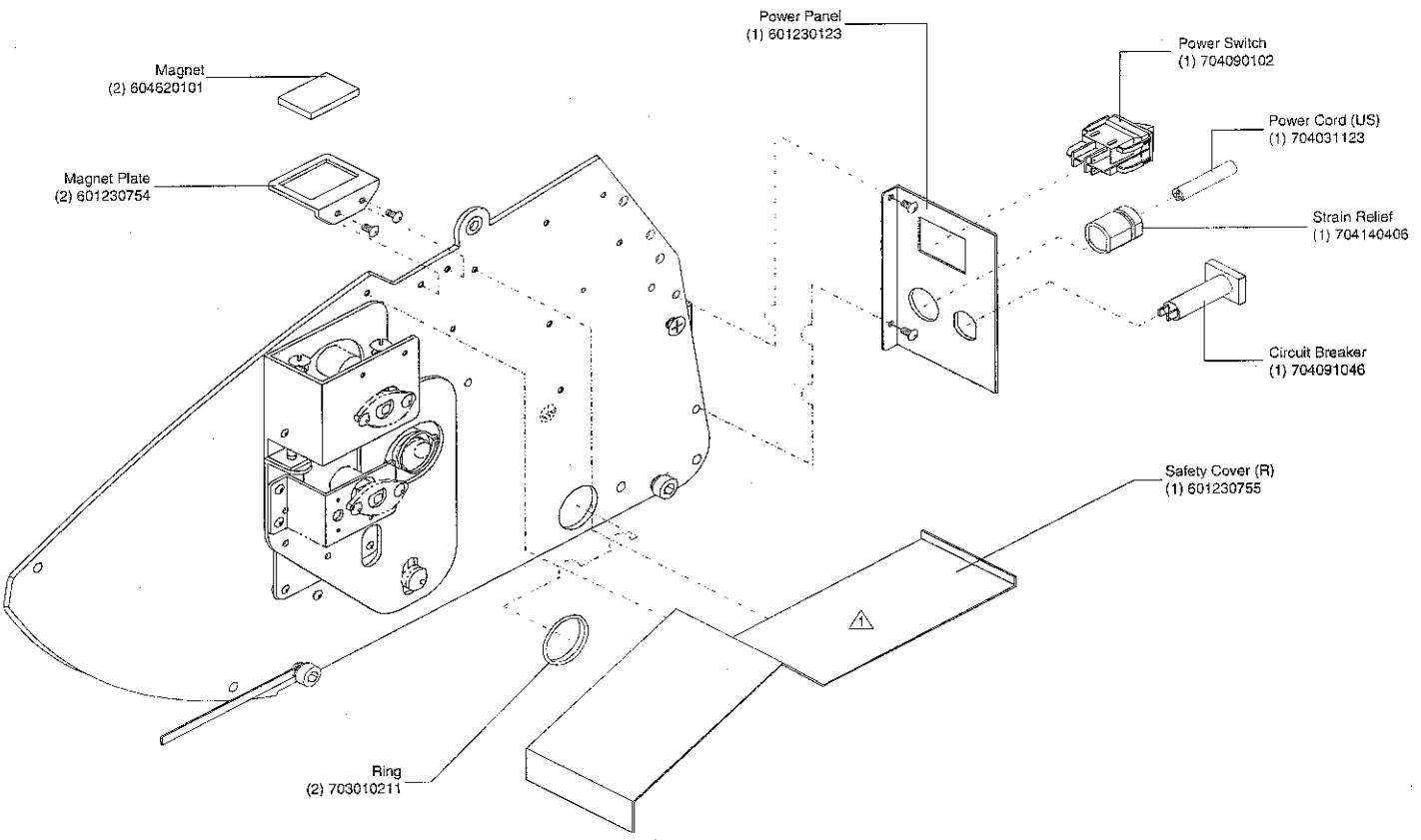
This print is the property of GBC F (Inc. Group). This information is restricted in circulation.													
										GBC Films Group 4151 Anderson Road, DeForest, WI 53522			
										TITLE: Frame Assembly Spartan Laminator			
										DATE:	BRAWN BY:	DWG SCALE:	DWG:
										04/15/02	SF	N/A	Spartan-001



PROPRIETARY
 GBC PRO-TECH CLAIMS PROPRIETARY RIGHTS TO THE MATERIAL DISCLOSED ON THIS DRAWING. IT IS ISSUED IN CONFIDENCE FOR ENGINEERING INFORMATION ONLY AND SHALL NOT BE REPRODUCED, COPIED OR DISCLOSED IN WHOLE OR IN PART, OR USED FOR MANUFACTURE OR FOR ANY OTHER PURPOSE WITHOUT WRITTEN PERMISSION FROM GBC PRO-TECH.

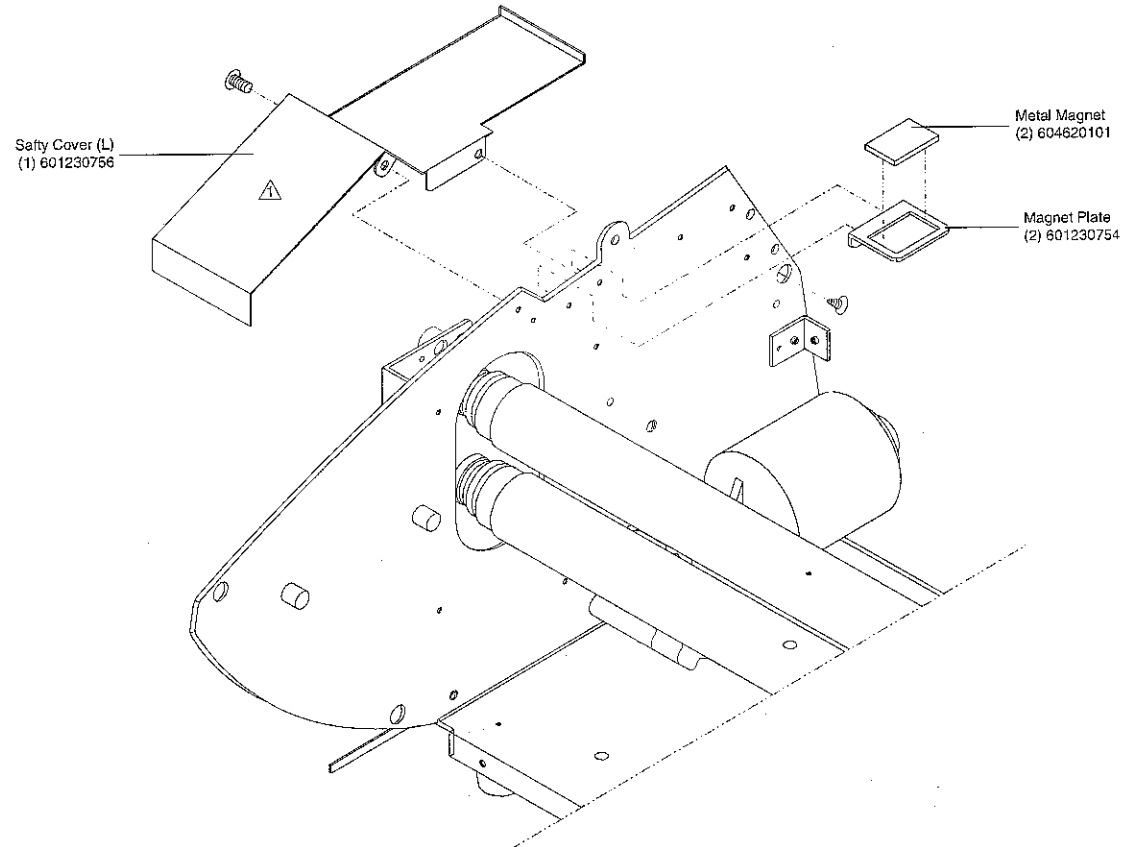
UNLESS OTHERWISE SPECIFIED TO INVOICE		GBC Films Group 4151 Anderson Road, DeForest, WI 53532	
DIM. AS SHOWN	TOL.	FINISH	US
XXX	±.104	125	✓
X	±.050	125	✓
XX	±.040	125	✓
XXX	±.060	125	✓
XXX	±.060	125	✓
XXX	±.060	125	✓
DATE:	DRAWN BY:	DWG SCALE:	DWG:
04/15/02	SF	N/A	Spartan-002

PROPRIETARY
 GBC #10-TECH CLAIMS PROPRIETARY RIGHTS TO THE MATERIAL DISCLOSED ON THIS DRAWING. IT IS INTENDED IN CONFIDENCE FOR ENGINEERING INFORMATION ONLY AND SHALL NOT BE REPRODUCED, COPIED OR ENCLOSED IN WHOLE OR IN PART, OR USED FOR MANUFACTURE OR FOR ANY OTHER PURPOSES WITHOUT WRITTEN PERMISSION FROM GBC #10-TECH.



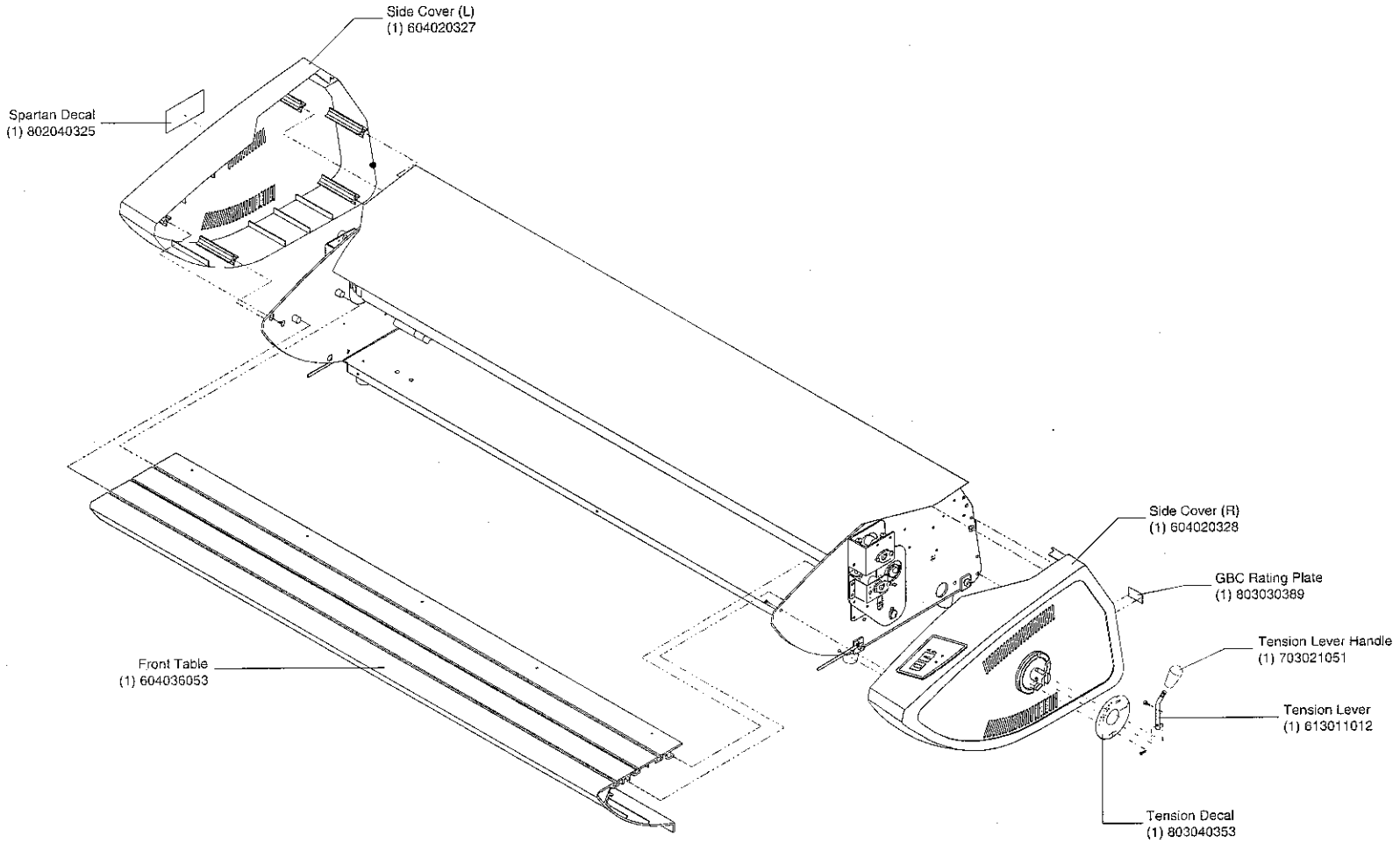
UNLESS OTHERWISE SPECIFIED TOLERANCES		GBC Films Group 4151 Anderson Road, DeForest, WI 53522	
FR. AS SHOWN	FRA.	FRA.	FRA.
XX	±.100	1/8"	√
X	±.010		
XX	±.010		
XXX	±.010		
XXXX	±.005		
DATE: 04/16/02		DRAWN BY: SF	DWG SCALE: N/A
DWG: Spartan - 004			

PROPRIETARY
 GBC PRO-TECH CLAIMS PROPRIETARY RIGHTS TO THE MATERIAL DISCLOSED ON THIS DRAWING. IT IS LOANED IN CONFIDENCE FOR ENGINEERING INFORMATION ONLY AND SHALL NOT BE REPRODUCED, COPIED OR DISCLOSED IN WHOLE OR IN PART, OR USED FOR MANUFACTURE OR FOR ANY OTHER PURPOSE WITHOUT WRITTEN PERMISSION FROM GBC PRO-TECH



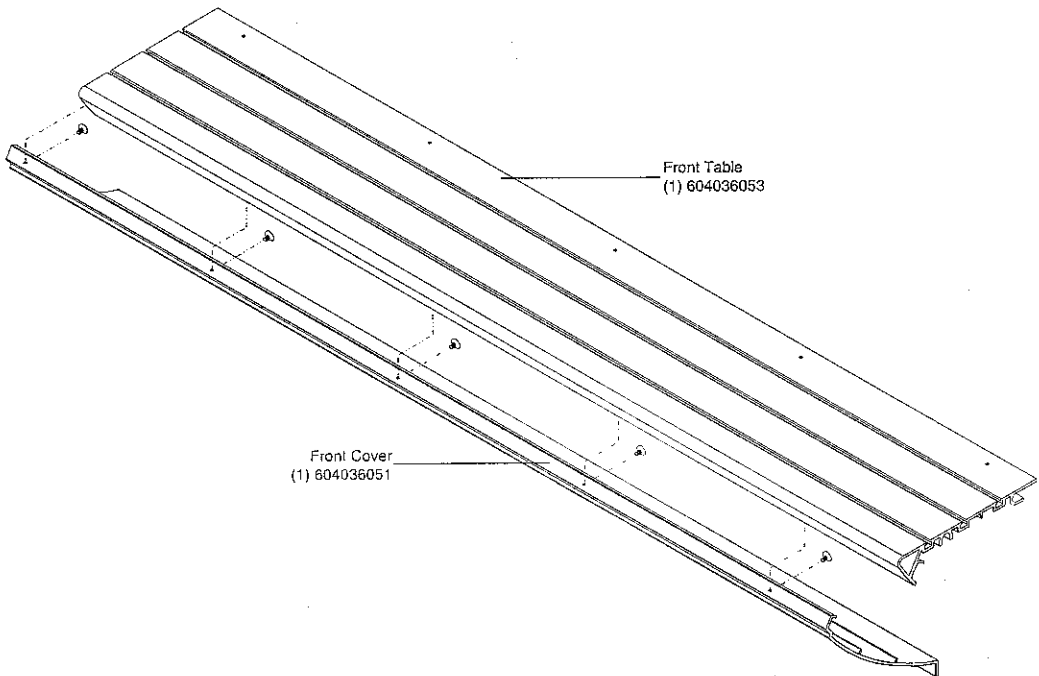
UNLESS OTHERWISE SPECIFIED TO GRANT		GBC Films Group 4151 Anderson Road, DeForest, WI 53522	
DATE	TITLE	DATE	TITLE
04/16/02	Magnet Assembly - Drive Spartan Laminator	04/16/02	Magnet Assembly - Drive Spartan Laminator
SCALE	DRAWN BY	DWG SCALE	DWG
N/A	SF	N/A	Spartan - 005

PROPRIETARY
 GBC PRO-TECH CLAIMS PROPRIETARY RIGHTS TO THE MATERIAL DISCLOSED ON THIS DRAWING. IT IS ISSUED IN CONFIDENCE FOR ENGINEERING INFORMATION ONLY AND SHALL NOT BE REPRODUCED, COPIED OR DISCLOSED IN WHOLE OR IN PART, OR USED FOR MANUFACTURE OR FOR ANY OTHER PURPOSE WITHOUT WRITTEN PERMISSION FROM GBC PRO-TECH.



UNLESS OTHERWISE SPECIFIED TOLERANCE		GBC Films Group 4151 Anderson Road, DeForest, WI 53532	
Dim. All	TOL.	FINISH	TITLE: Tables and Cabinets Assembly Spartan Laminator
SHOWN		TO BE	
XX	±.124	1/8	DATE: 04/16/02
X	±.470	✓	DRAWN BY: SF
XX	±.010		DWG SCALE: N/A
XX	±.020	ANGLES	DWG: Spartan - 007
XXXX	±.005	±10	

PROPRIETARY
 GBC PRO-TECH CLAIMS PROPRIETARY RIGHTS TO THE MATERIAL DISCLOSED ON THIS DRAWING. IT IS ISSUED IN CONFIDENCE FOR ENGINEERING INFORMATION ONLY AND SHALL NOT BE REPRODUCED, COPIED OR REPRODUCED IN WHOLE OR IN PART, OR USED FOR MANUFACTURE OR FOR ANY OTHER PURPOSE WITHOUT WRITTEN PERMISSION FROM GBC PRO-TECH.

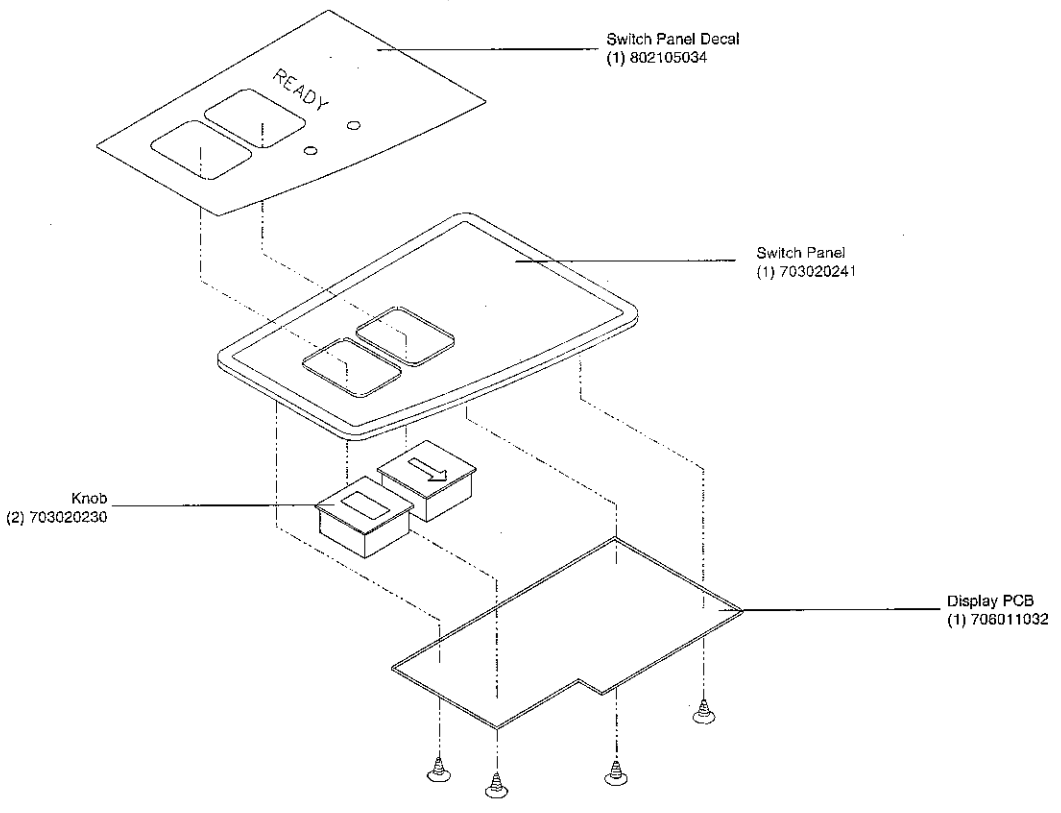


Front Table
 (1) 604036053

Front Cover
 (1) 604036051

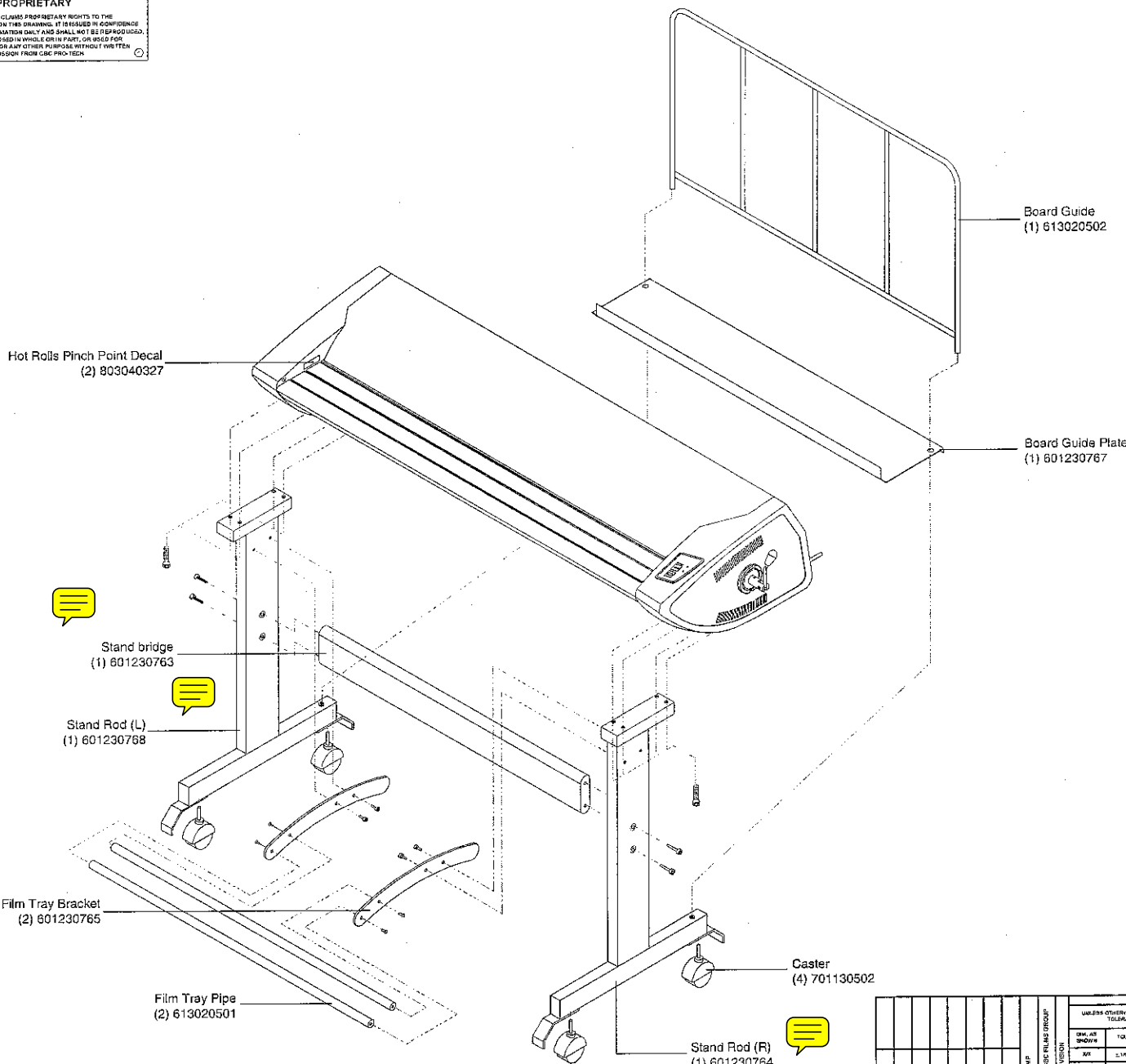
UNLESS OTHERWISE SPECIFIED TOLERANCES				GBC Films Group 4151 Anderson Road, DeForest, WI 53532			
DIM. AS SHOWN	TOL.	FINISH TO BE	USE	TITLE: Table Assembly Spartan Laminator			
XX	±.124		✓	DATE:	DRAWN BY:	DWG. SCALE:	DWG. NO.:
X	±.060			04/16/02	SF	N/A	Spartan - 009
XX	±.010						
XXX	±.020	ANGLES					
XXXX	±.008						

PROPRIETARY
 GBC PRO-TECH CLAIMS PROPRIETARY RIGHTS TO THE MATERIAL DISCLOSED ON THIS DRAWING. IT IS ISSUED IN CONFIDENCE FOR ENGINEERING INFORMATION ONLY AND SHALL NOT BE REPRODUCED, COPIED OR INCLOSED IN WHOLE OR IN PART, OR USED FOR MANUFACTURE OR FOR ANY OTHER PURPOSE WITHOUT WRITTEN PERMISSION FROM GBC PRO-TECH.



VALUES UNLESS OTHERWISE SPECIFIED TOLERANCE				The print is the property of GBC Films Group. The information herein is confined to confidential.			
FINISH	AS SHOWN	TOL.	FRESH TO DIM.	GBC Films Group 4151 Anderson Road, DeForest, WI 53532			
XX		±.188	±.001	TITLE: Control Panel Assembly Spartan Laminator			
XX		±.000	±.001	DATE: 04/16/02	DRAWN BY: SF	DWG SCALE: N/A	DWG: Spartan -010
XX		±.020	±.001				
XXX		±.010	±.001				
CHECKED BY: GBC FILMS GROUP							
DESIGNATION: DWP							

PROPRIETARY
 GBC PRO-TECH CLAIMS PROPRIETARY RIGHTS TO THE MATERIAL DISCLOSED ON THIS DRAWING. IT IS GRANTED IN CONFIDENCE FOR ENGINEERING INFORMATION ONLY AND SHALL NOT BE REPRODUCED, COPIED OR DISCLOSED IN WHOLE OR IN PART, OR SOLD FOR MANUFACTURE OR FOR ANY OTHER PURPOSES WITHOUT WRITTEN PERMISSION FROM GBC PRO-TECH



UNLESS OTHERWISE SPECIFIED TOLERANCE		FRESH TO BE		DATE: 04/16/02		DRAWN BY: SF		DWG SCALE: N/A		DWG 1: Spartan - 011	
MM	±.10	IN	±.005	DATE: 04/16/02		DRAWN BY: SF		DWG SCALE: N/A		DWG 1: Spartan - 011	
MM	±.10	IN	±.005	DATE: 04/16/02		DRAWN BY: SF		DWG SCALE: N/A		DWG 1: Spartan - 011	
MM	±.10	IN	±.005	DATE: 04/16/02		DRAWN BY: SF		DWG SCALE: N/A		DWG 1: Spartan - 011	
MM	±.10	IN	±.005	DATE: 04/16/02		DRAWN BY: SF		DWG SCALE: N/A		DWG 1: Spartan - 011	



General Binding Corporation
One GBC Plaza
Northbrook, IL 60062-4195