



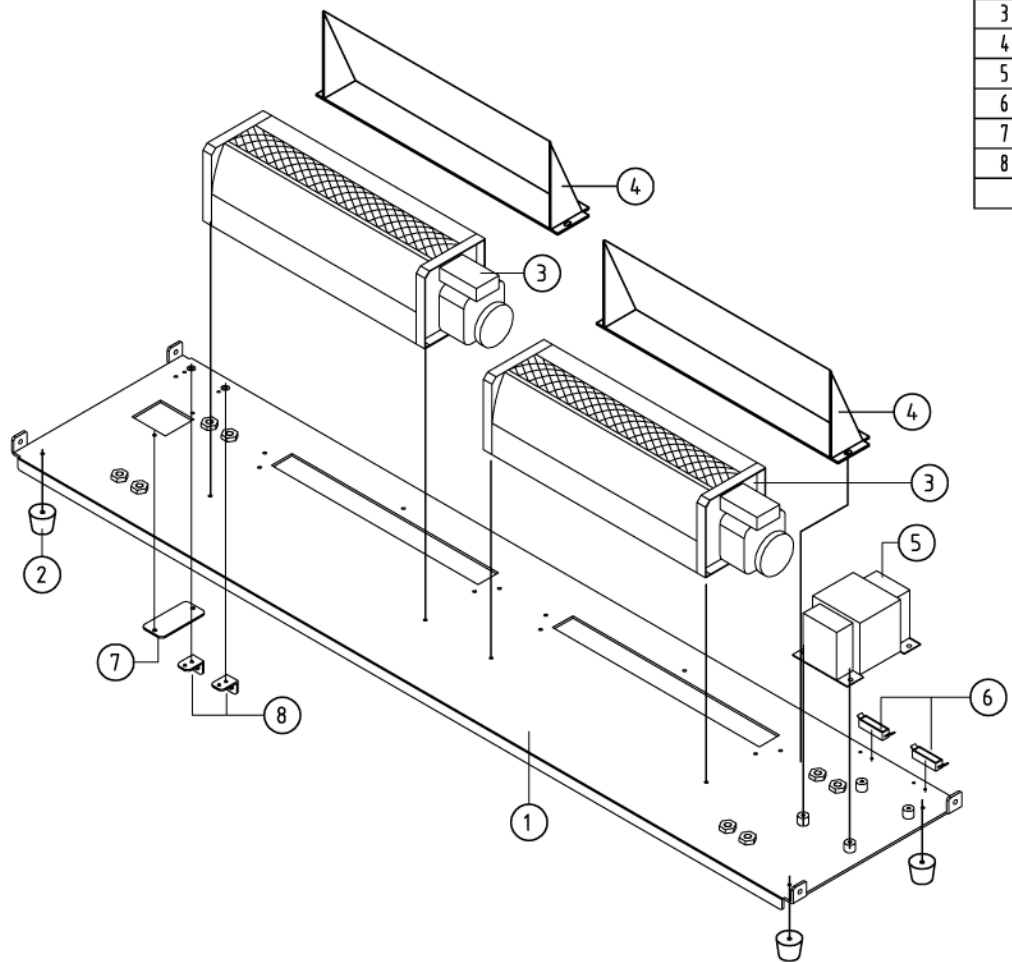
SIGNMAKER 44 Parts List

GBC IS AN ACCO BRANDS COMPANY



SignMaker 44

Ass'y-1
Rev1.0

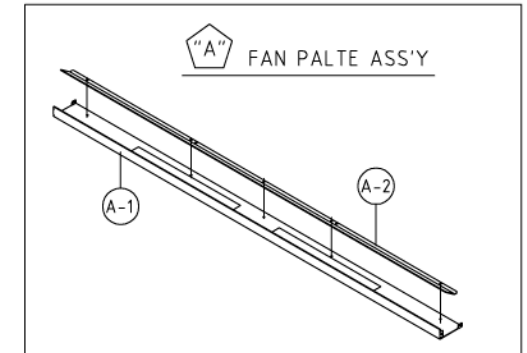
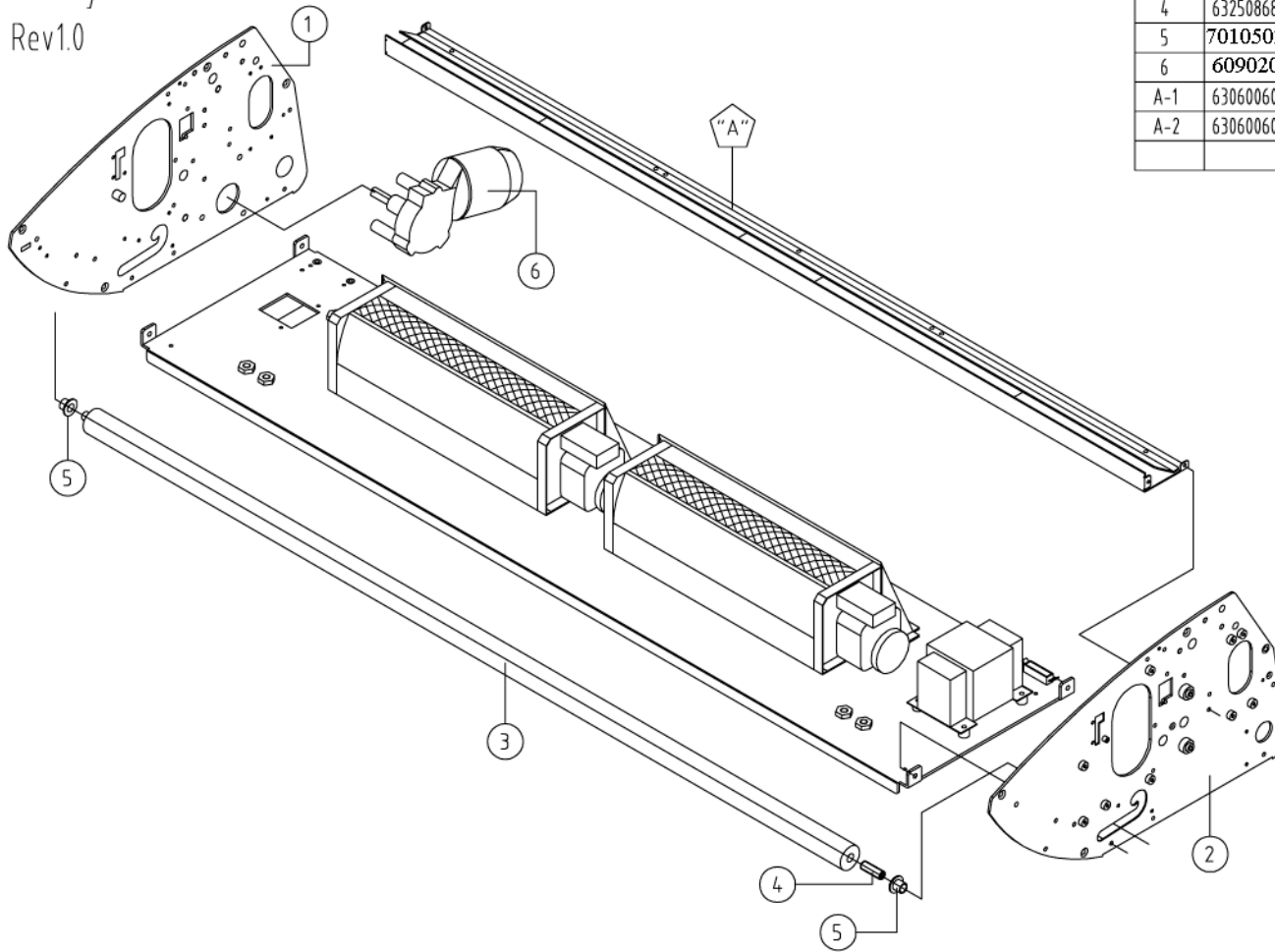


Item No.	Part No.	Part name	Spec	Quantity
1	630600548	S/MAKER BOTTOM PALTE	SPC 3.0T 1172x259	1EA
2	703010103	RUBBER FOOT	SILICON (F28x22x20)	4EA
3	609070102	CROSS FAN MOTOR	PCF-6230 GMP1-2 (110/60) C.C.W	2EA
4	601250183	EX-II PCB SUPPORT	FE 2.0T 250x115	2EA
5	610011904	TRANSFORMER GM7661EX-12	GM7660EX-12	1EA
6	704120204	FUSE HOLDER (SQUARE)	FB65 250V15A(30mm)	2EA
7	630600605	S/MAKER BOTTOM COVER PLATE	SPC 0.2T 30.5x67	1EA
8	601211157	SURE BACK COVER SUPPORT	FE2.0T 17x43	2EA

SignMaker 44

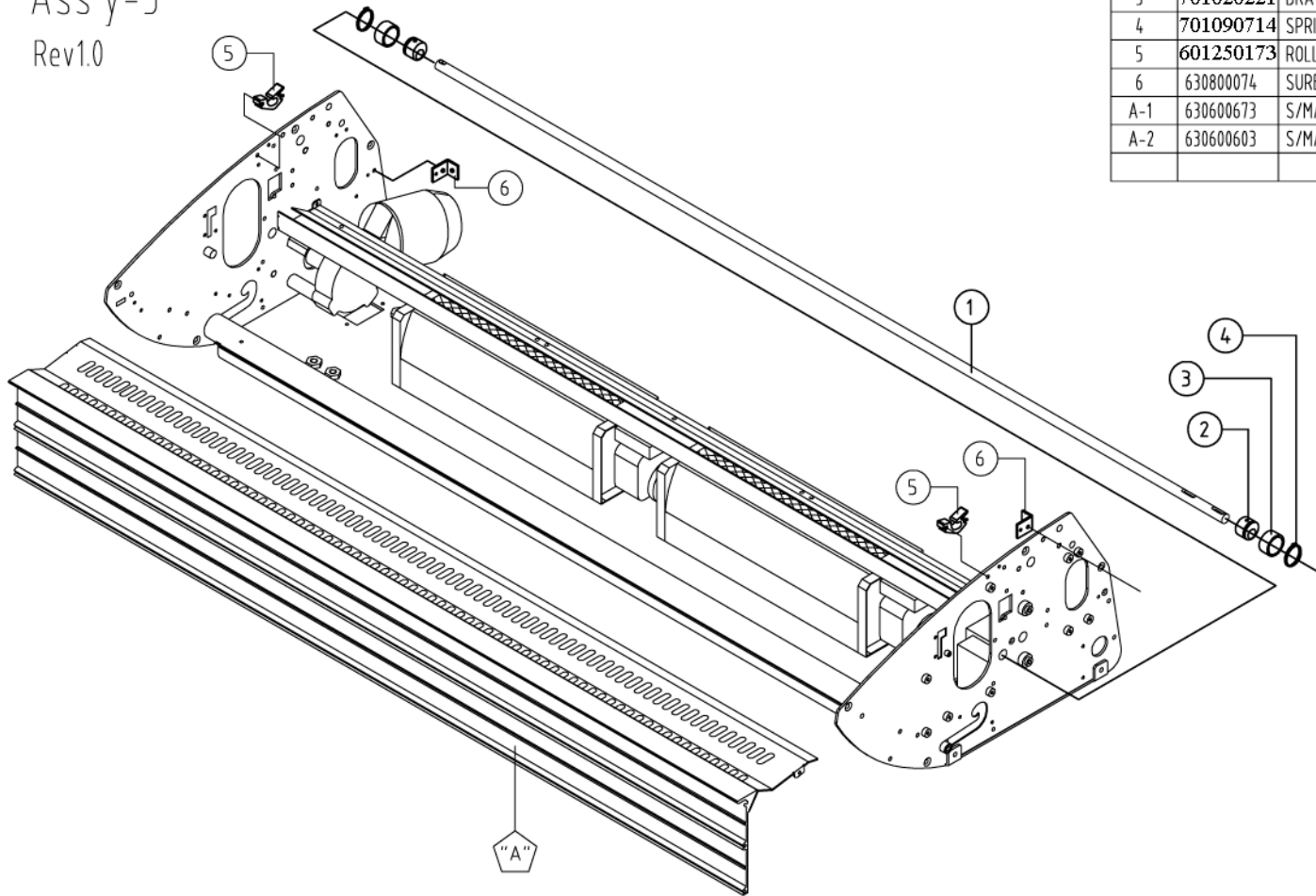
Ass'y-2
Rev1.0

Item No.	Part No.	Part name	Spec	Quantity
1	630600549	S/MAEKR-44 SIDE PALTE (L)	SPC 3.0T 400x239	1EA
2	630600533	S/MAKER-25 SIDE PALTE (R)	SPC 3.0T 400x239	1EA
3	632501595	EX-P 1080 IDLE ROLLER	S45C F30x1165	1EA
4	632508681	SUPPORT PIN	S45C F10x27.5	1EA
5	701050234	DU BUSHING FRANGE	10x08	2EA
6	6090205	DC GEARED MOTOR (DM012)	DC 36V / 100W	1EA
A-1	630600604	S/MAKER-44 FAN PLATE	SPC 1.5T 67x24.5x1159.5	1EA
A-2	630600602	S/MAKER-44 FLOW GUIDE	SPC 1.5T 33x1154	1EA

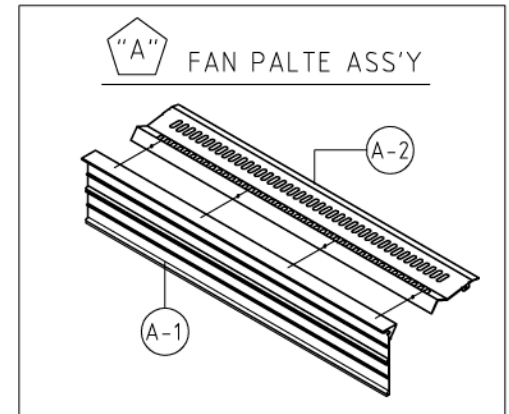


SignMaker 44

Ass'y-3
Rev1.0

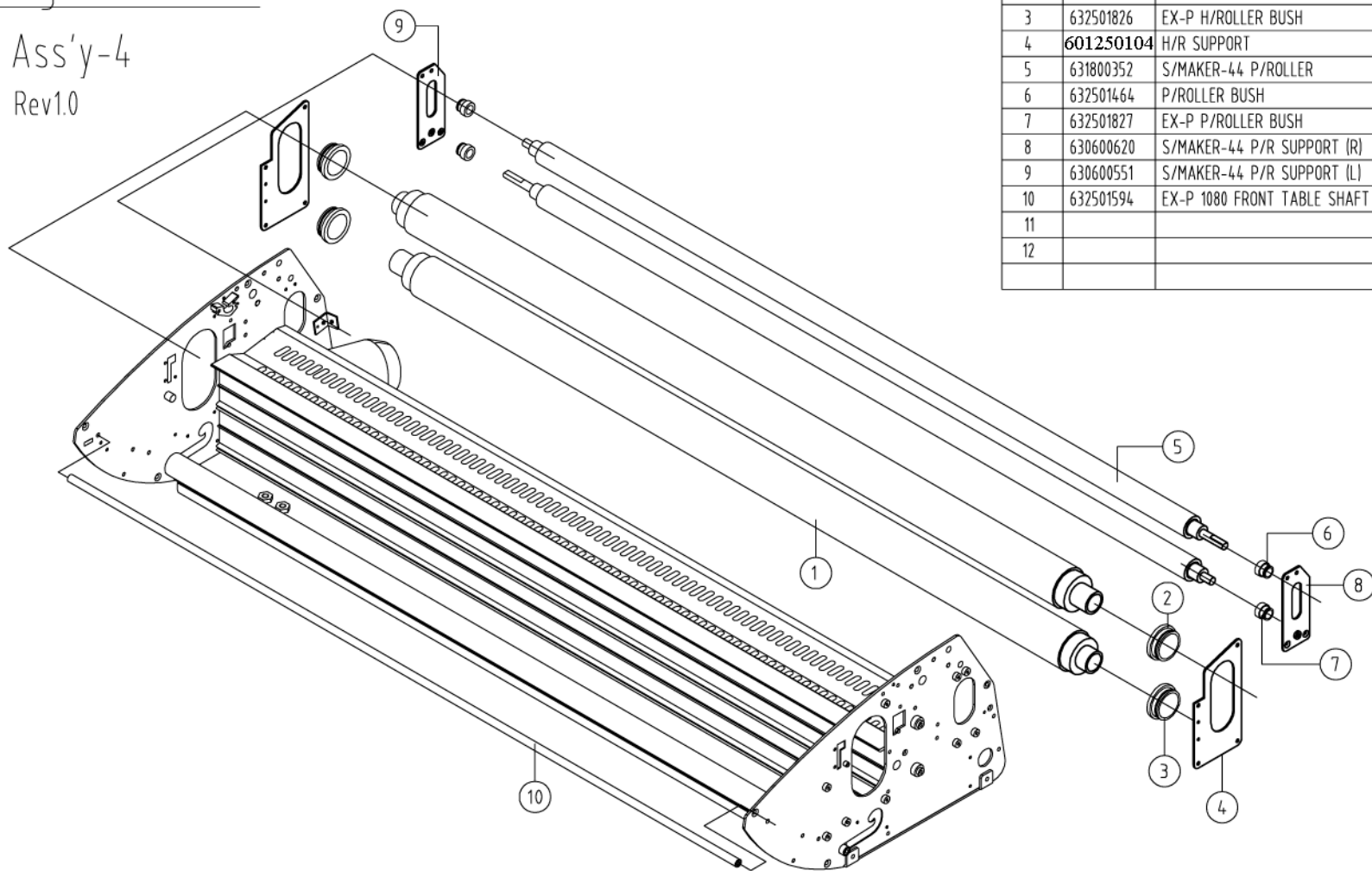


Item No.	Part No.	Part name	Spec	Quantity
1	632501825	S/MAKER-44 ECCENTRIC SHAFT	S45C F12x1251	1EA
2	613011011	ECCENTRIC CAM	S45C F12xF22x15	2EA
3	701020221	DRAWN CUP NEDDEL BEARING	HK2212	2EA
4	701090714	SPRING S-RING	F22	2EA
5	601250173	ROLLER COVER BLOCK	AL 10Tx25x31.95	2EA
6	630800074	SURE BACK COVER SUPPORT	FE2.0T 17x43	2EA
A-1	630600673	S/MAKER-44 FRONT COVER	AL6063 2.3Tx133.8x1160	1EA
A-2	630600603	S/MAKER-44 FILM GUIDE	SPC15T 110x1159	1EA



SignMaker 44

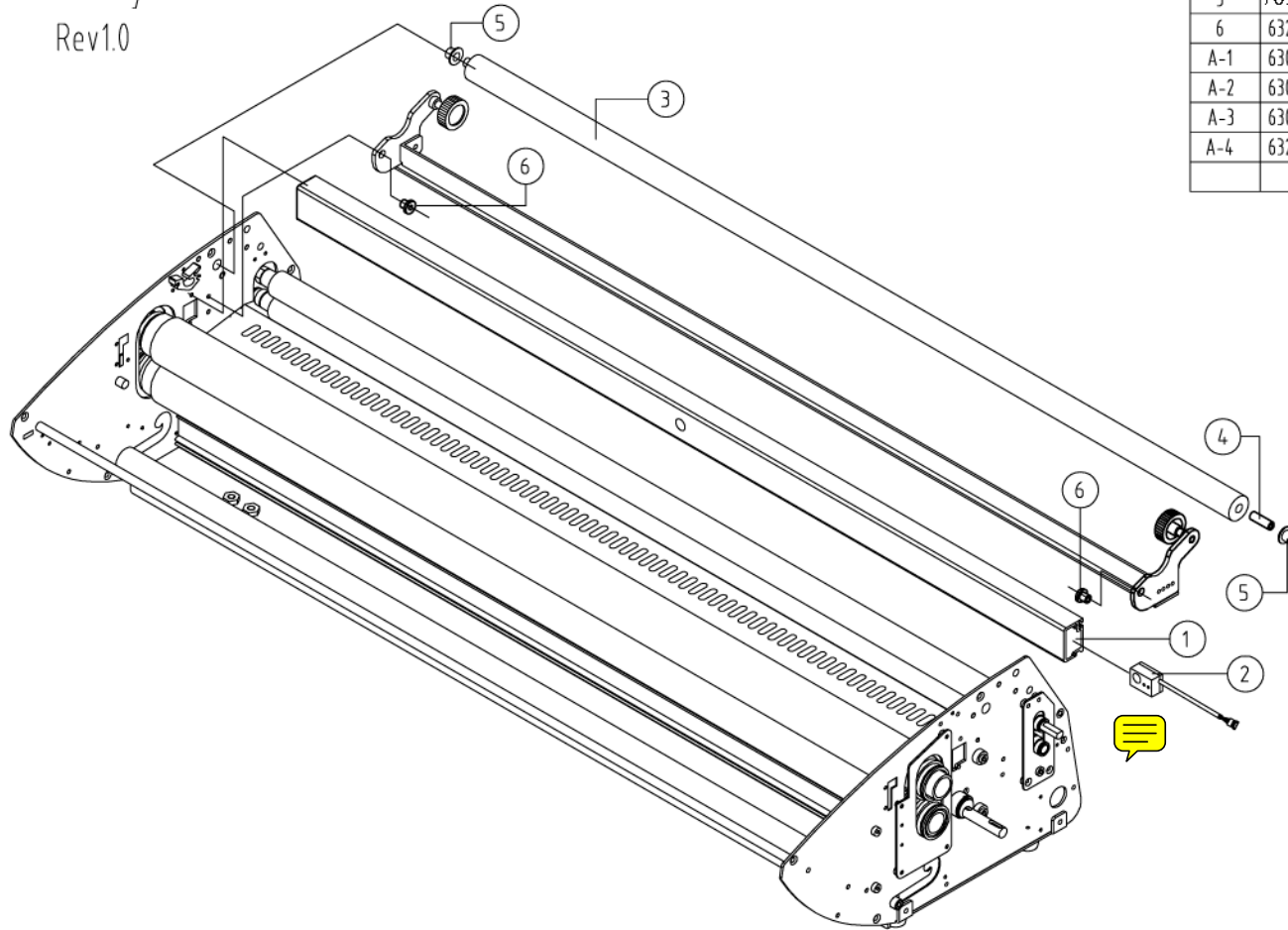
Ass'y-4
Rev1.0



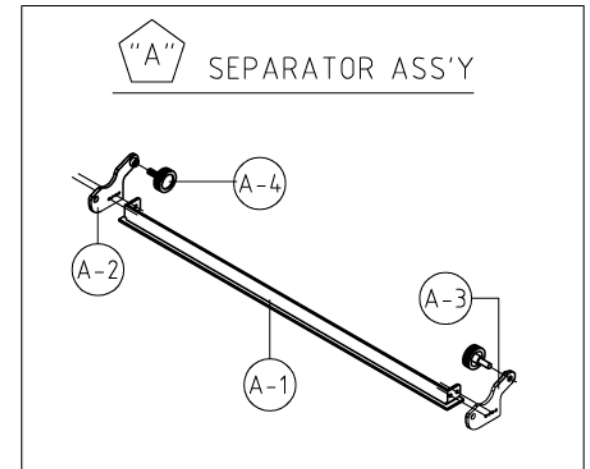
Item No.	Part No.	Part name	Spec	Quantity
1	631800336	EX-P 1080 H/ROLLER	1210×F55×1126	2EA
2	632501476	H/ROLLER BUSH	BS F46×F40×F30×17	2EA
3	632501826	EX-P H/ROLLER BUSH	S45C F46×F40×F30×17	2EA
4	601250104	H/R SUPPORT	FE2.0T 82×161.6 (BK461)	2EA
5	631800352	S/MAKER-44 P/ROLLER	F10×1224×F40×1121	2EA
6	632501464	P/ROLLER BUSH	BS F19×F16×F10×16	2EA
7	632501827	EX-P P/ROLLER BUSH	S45C F19×F16×F10×16	2EA
8	630600620	S/MAKER-44 P/R SUPPORT (R)	FE2.0T 46×116	1EA
9	630600551	S/MAKER-44 P/R SUPPORT (L)	FE2.0T 46×116	1EA
10	632501594	EX-P 1080 FRONT TABLE SHAFT	S45C F10×1160	1EA
11				
12				

SignMaker 44

Ass'y-5
Rev1.0



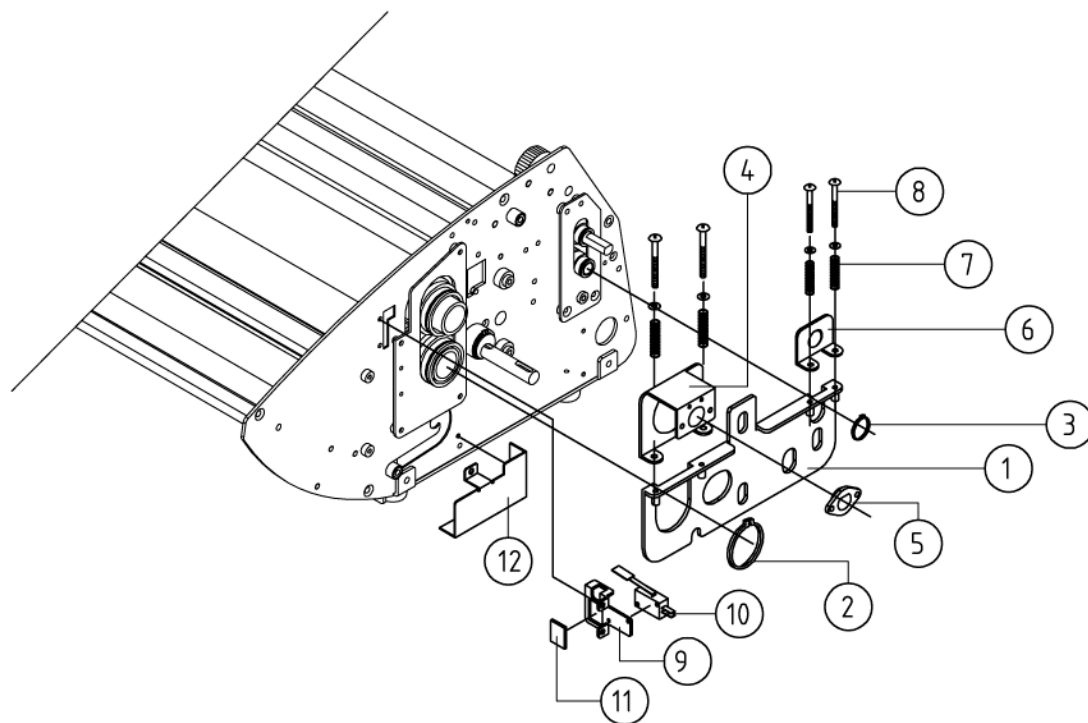
Item No.	Part No.	Part name	Spec	Quantity
1	633600633	EX-P 1080 SIDE SLITTER RAIL	AL3.0T 44.5×26.5×1160	1EA
2	705200201	INFRARED SENSOR ASS'Y	TPML1-710	1EA
3	632501698	EX-P 1080 IDLE ROLLER (TEFLON)	S45C F30×1165 (TEFLON)	1EA
4	613030540	SUPPORT PIN	S45C F10×27.5	1EA
5	701050234	DU BUSHING FLANGE	10×08	2EA
6	632501557	SEPARATOR HINGE PIN	S45C F15×F9×11.5	2EA
A-1	630600525	EX-P1080 SEPARATOR BAR	SPC3.0T 35×1154 (TEFLON)	1EA
A-2	630600541	SEPARATOR LEVER (L)	SPC5.0T 98.2×68.2×11	1EA
A-3	630600542	SEPARATOR LEVER (R)	SPC5.0T 98.2×68.2×11	1EA
A-4	632500810	HEAT SHOE CLAMPING BOLT	F30×M12×26	2EA



SignMaker 44

Ass'y-6

Rev1.0



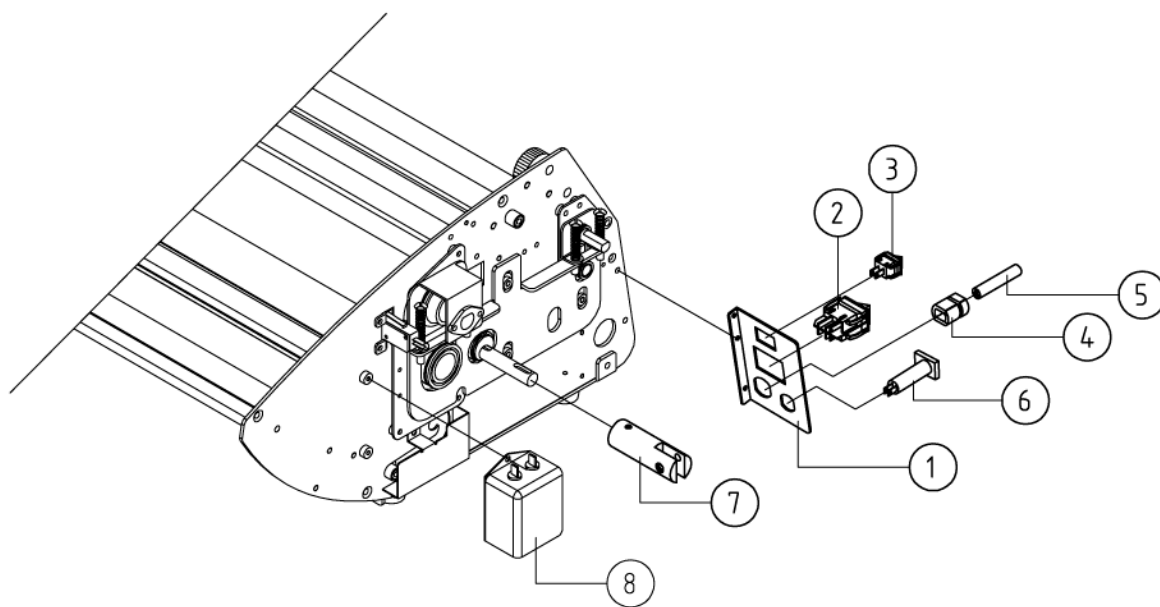
Item No.	Part No.	Part name	Spec	Quantity
1	630600601	S/MAKER TENSION PLATE (R)	SPC3.0T 78.5×13.5×220	1EA
2	701090716	SPRING S-RING	F40	2EA
3	701090710	SPRING S-RING	F16	2EA
4	601230525	H/ROLLER HOOK	FE2.0T 66×150.5	1EA
5	703010332	HOLDER	SILICON (6T×38×26)	1EA
6	601230536	EAGLE105 P/ROLLER HOOK	FE2.0T 50×50	1EA
7	701090103	ROLLER SPRING	1.6T×32	4EA
8	701108113	M/S ROUND HEAD M4.0RH	M4.0×4.5RH WHT/[24mm]	4EA
9	601250171	MAGNETIC BRACKET (R)	SPC 2.0T 41×36×12.5	1EA
10	704090423	MICRO SWITCH (EX-II)	250V/15A(VP531A-3H)3	1EA
11	604620102	MATAL MAGNET	3.0T 20×15 (2000GAUS)	1EA
12	601250208	CATENA J-CHANEL COVER (R)	SPC 1.0T 92×45	1EA

SignMaker 44

Ass'y-7

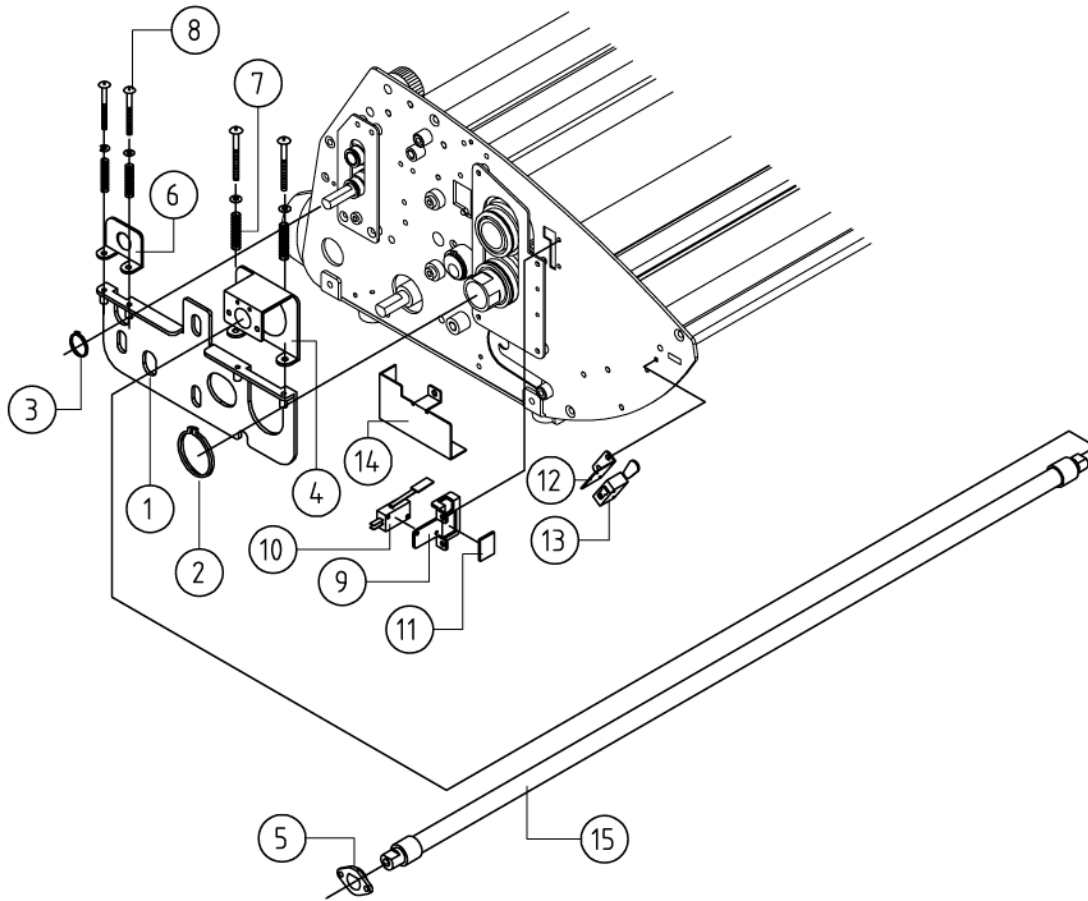
Rev1.0

Item No.	Part No.	Part name	Spec	Quantity
1	601250205	CATENA POWER PANEL	FE 1.5T 63.5×100×10.5 (GY-124)	1EA
2	704090102	POWER S/W ROCKER	DPDT 250V16A (310B5NR)	1EA
3	704090111	POWER S/W ROCKER	SPST250V6A(OR-L-JIA)	1EA
4	704140403	CORD STOPPER	7NR-32	1EA
5	704030316	U&A° 125V UL	3P 1.5/15A(T250R)	1EA
6	704091046	CIRCUIT BREAKER	W28-XQ1A,12A	1EA
7	632500649	CATENA ECCENTRIC SHAFT CAP	F20×57	1EA
8	705031302	FERRITE EMI FILTER	ES1-F15/15A	1EA



SignMaker 44

Ass'y-8
Rev1.0

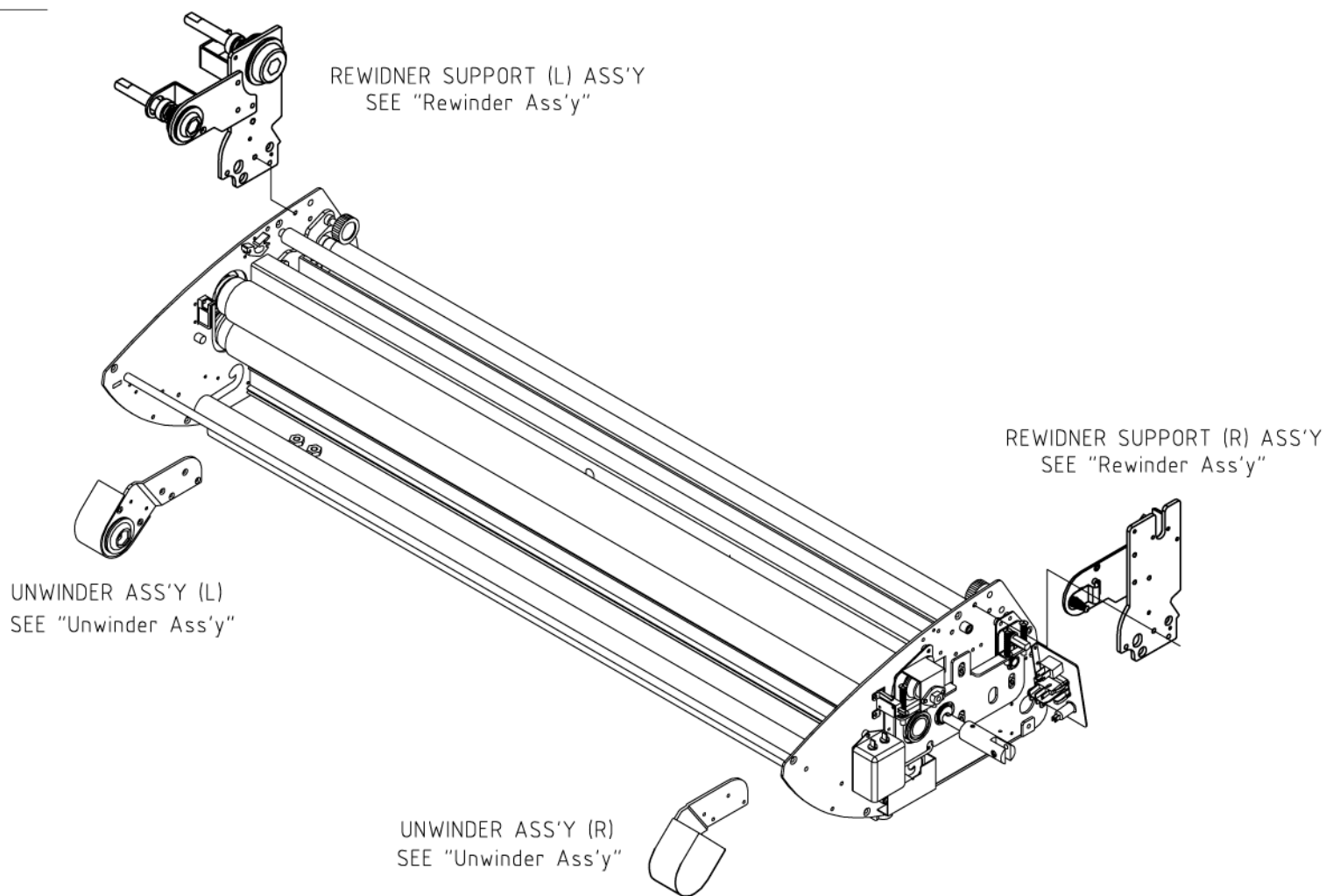


Item No.	Part No.	Part name	Spec	Quantity
1	630600600	S/MAKER TENSION PLATE	SPC3.0T 4.8.5x13.5x220	1EA
2	701090716	SPRING S-RING	F40	2EA
3	701090710	SPRING S-RING	F16	2EA
4	601230525	H/ROLLER HOOK	FE2.0T 66x150.5	1EA
5	703010332	HOLDER	SILICON (6Tx38x26)	1EA
6	601230536	EAGLE105 P/ROLLER HOOK	FE2.0T 50x50	1EA
7	701090103	ROLLER SPRING	1.6Tx32	4EA
8	701108113	M/S ROUND HEAD M4.0RH	M4.0x4.5RH WHT/(24mm)	4EA
9	601250172	MAGNETIC BRACKET (L)	SPC 2.0T 4.1x36x12.5	1EA
10	704090423	MICRO SWITCH (EX-II)	250V/15A(VP531A-3H)3	1EA
11	604620102	MATAL MAGNET	3.0T 20x15 (2000GAUS)	1EA
12	601310508	MICRO SWITCH BRACKET	1.5T 38.5x46	1EA
13	704090411	MICRO SWITCH (EAGLE)	250V/15A (VP-531A-3H)2	1EA
14	601250207	CATENA J-CHANNEL COVER (L)	SPC 1.0T 92x45	1EA
15	638200404	S/MAKER-44 INFRARED HEATER	9.50HM F15.5x1224	1EA
16	613030537	FILM TENSION BOLT	S45C F13.5x30	1EA

SignMaker 44

Ass'y-9

Rev1.0

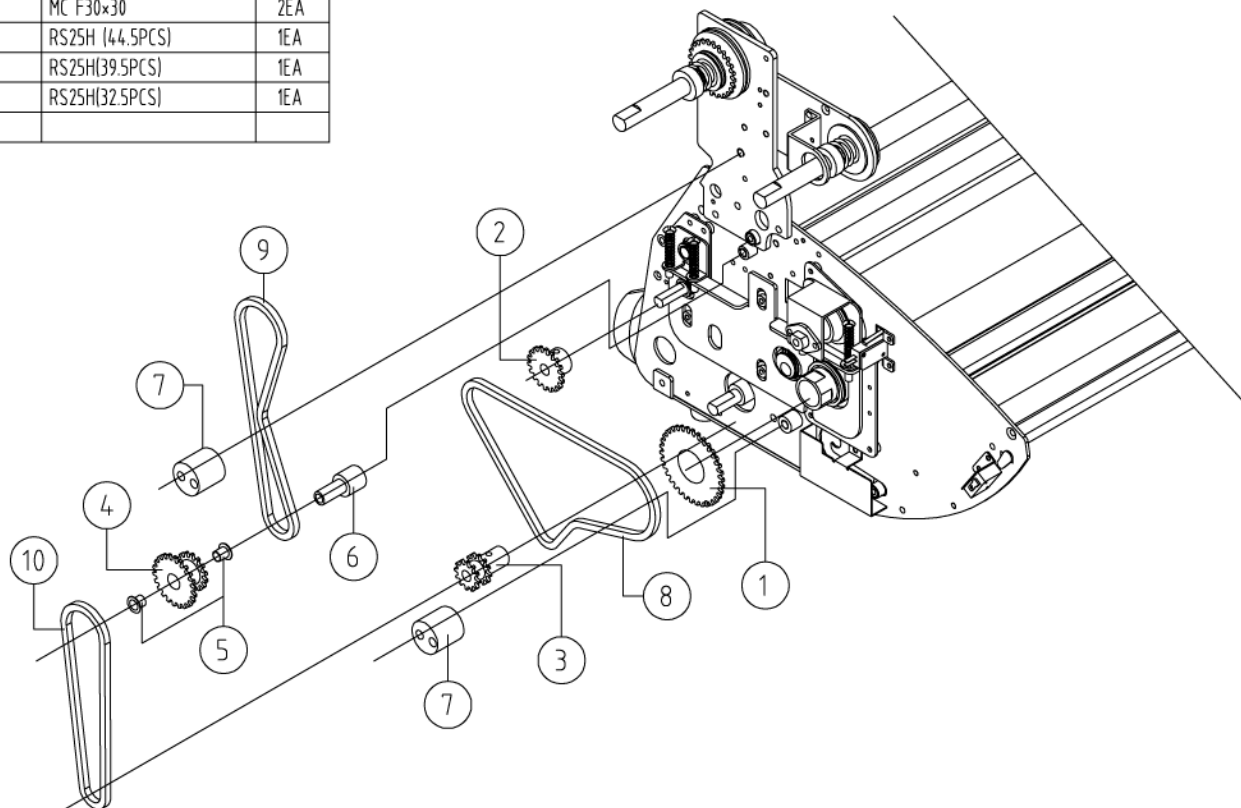


SignMaker 44

Ass'y-10

Rev1.0

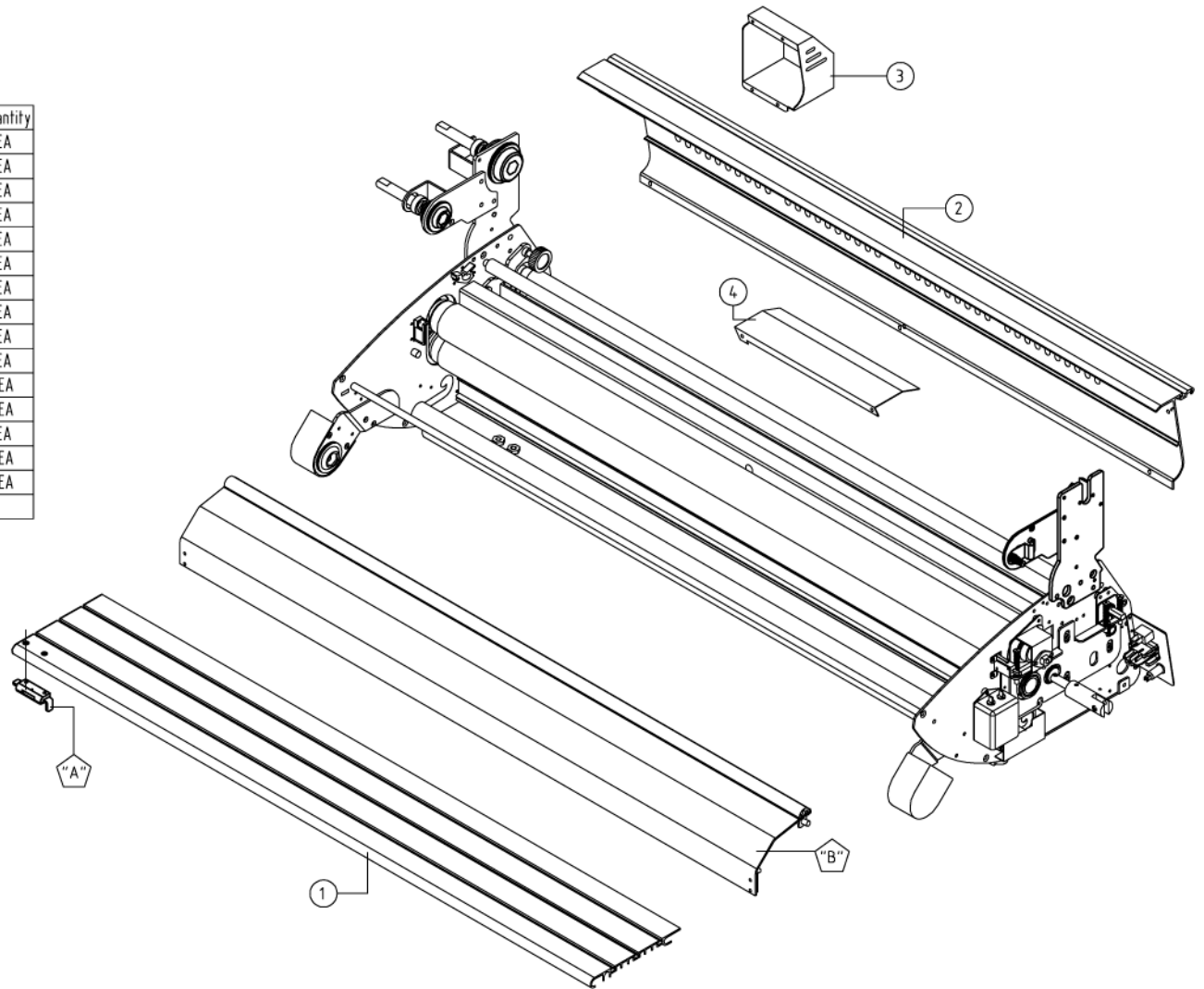
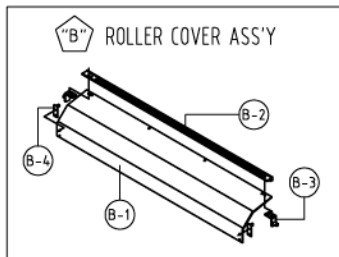
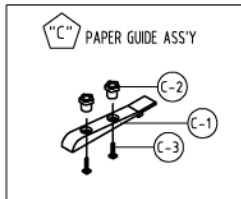
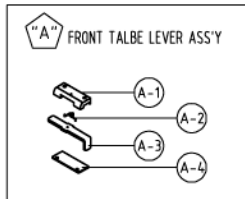
Item No.	Part No.	Part name	Spec	Quantity
1	635800377	EX-P355 H/R SPROCKET	RS25H 24T×F30×13	1EA
2	635800395	S/MAKER-44 P/R SPROCKET	RS25H 24T×F10×20	1EA
3	635800394	S/MAKER-44 MOTOR SPROCKET	RS25H 13T×13T(#25)×F10×41	1EA
4	635800379	EX-P355 REWIDNER IDLE SPROCKET	RS25H 22T+15T(#25)×F14×22.5	1EA
5	701050249	DU BUSHING FRANGE	12×10	2EA
6	632501694	EX-P355 REWIDNER IDLE BOSS	S45C F20×F12×44.5	1EA
7	634200032	EX-P TAKE UP	MC F30×30	2EA
8	635700163	ROLLER CHAIN	RS25H (44.5PCS)	1EA
9	635700146	ROLLER CHAIN	RS25H(39.5PCS)	1EA
10	635700059	ROLLER CHAIN	RS25H(32.5PCS)	1EA



SignMaker 44

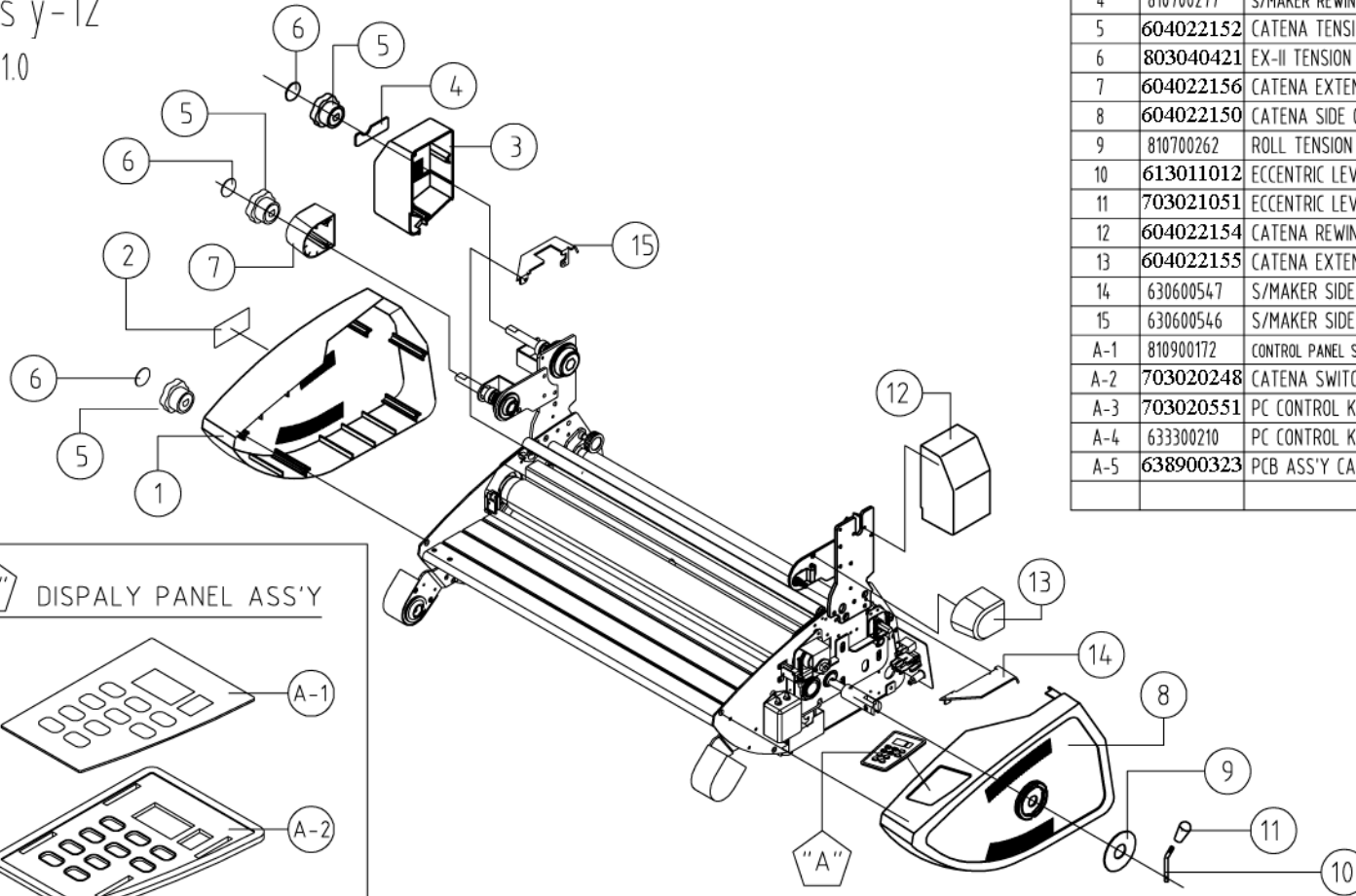
Ass'y-11 Rev1.0

Item No.	Part No.	Part name	Spec	Quantity
1	633600635	EX-P 1080 FRONT TABLE	AL 1158×172×16.4	1EA
2	630600653	EX-P 1080 REAR COVER	AL 3.0T 76.9×157.5×1158	1EA
3	633000187	EX-P MOTOR COVER	-	1EA
4	630600410	EX-II PCB COVER	SPC 1.0T 280×250×55	1EA
A-1	633600036	TABLE LEVER GUIDE	PC 4.9×19×8.7	1EA
A-2	701090169	LEVER SPRING	0.6T×F4×7.7	1EA
A-3	601250178	TABLE LEVER	SPC 3.0T 140×70	1EA
A-4	601250179	TABLE LEVER BRACKET	SPC2.0T 4.9×19	1EA
B-1	630600554	S/MAKER-44 ROLLER COVER	PC 3.0T 1152×124.8	1EA
B-2	633600636	EX-P 1080 ROLLER COVER CAP	AL 24×16×1152	1EA
B-3	601250242	PC COVER REAR BRACKET	SPC 3.0T 27×37.5	2EA
B-4	601250177	ROLLER COVER BRACKET (FRONT)	SPC2.5T 14×35	2EA
C-1	633200026	155mm PAPER GUIDE(WHITE)	ABS 155×20×15(700-15779)	1EA
C-2	604022032	PAPER GUIDIE KNOB	NYLON66 F19×20×M5	2EA
C-3	701108134	SQUARE HEAD BOLT / M5×20	M5×20	2EA

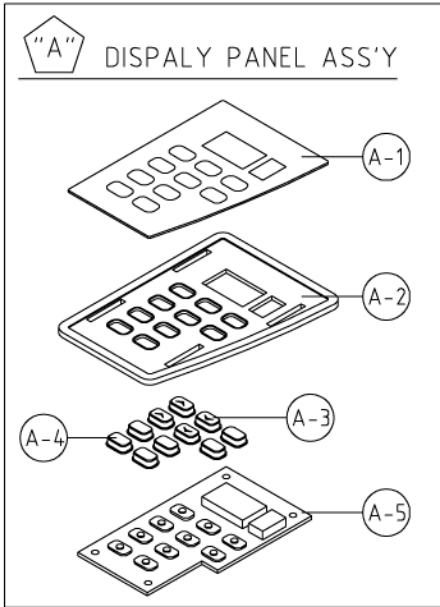


SignMaker 44

Ass'y-12
Rev1.0



Item No.	Part No.	Part name	Spec	Quantity
1	604022151	CATENA SIDE COVER (L)	PC 3.5T 471.2x276x75	1EA
2	811600106	NAME STICKER / SIGNSMAKER-44	PC 85x42	1EA
3	633200222	S/MAKER REWINDER COVER (L)	PC 3.0T 93x162xF17	1EA
4	810700277	S/MAKER REWINDER COVER STICKER	AL 1.0T 61x20 (BROWN)	1EA
5	604022152	CATENA TENSION KNOB	ABS 155x20x15 (700-15779)	3EA
6	803040421	EX-II TENSION KNOB STICKER	F37 (GRAY)	3EA
7	604022156	CATENA EXTENSION COVER (L)	PC 75.6x50 (GY-124)	1EA
8	604022150	CATENA SIDE COVER (R)	PC 3.5T 471.2x276x75	1EA
9	810700262	ROLL TENSION STICKER	PC0.5T F73.7xF26	1EA
10	613011012	ECCENTRIC LEVER	F8x90	1EA
11	703021051	ECCENTRIC LEVER HANDLE	BACKLIGHT F8.0x85	1EA
12	604022154	CATENA REWINDER COVER (R)	PC 3.0T 96x162	1EA
13	604022155	CATENA EXTENSION COVER (R)	PC 75.6x50	1EA
14	630600547	S/MAKER SIDE COVER CAP (R)	SPC 3.0T 139.1x44	1EA
15	630600546	S/MAKER SIDE COVER CAP (L)	SPC 3.0T 139.1x44	1EA
A-1	810900172	CONTROL PANEL STICKER / SIGNSMAKER	PC 0.25T 89.2x69.14	1EA
A-2	703020248	CATENA SWITCH PANEL	ABS 97.6x69.8	1EA
A-3	703020551	PC CONTROL KEY	PC (UP-DOWN) FAST/PROPHOTO	4EA
A-4	633300210	PC CONTROL KEY	() / CATENA	6EA
A-5	638900323	PCB ASS'Y CATENA DISPLAY	CATENA DISPLAY	1EA

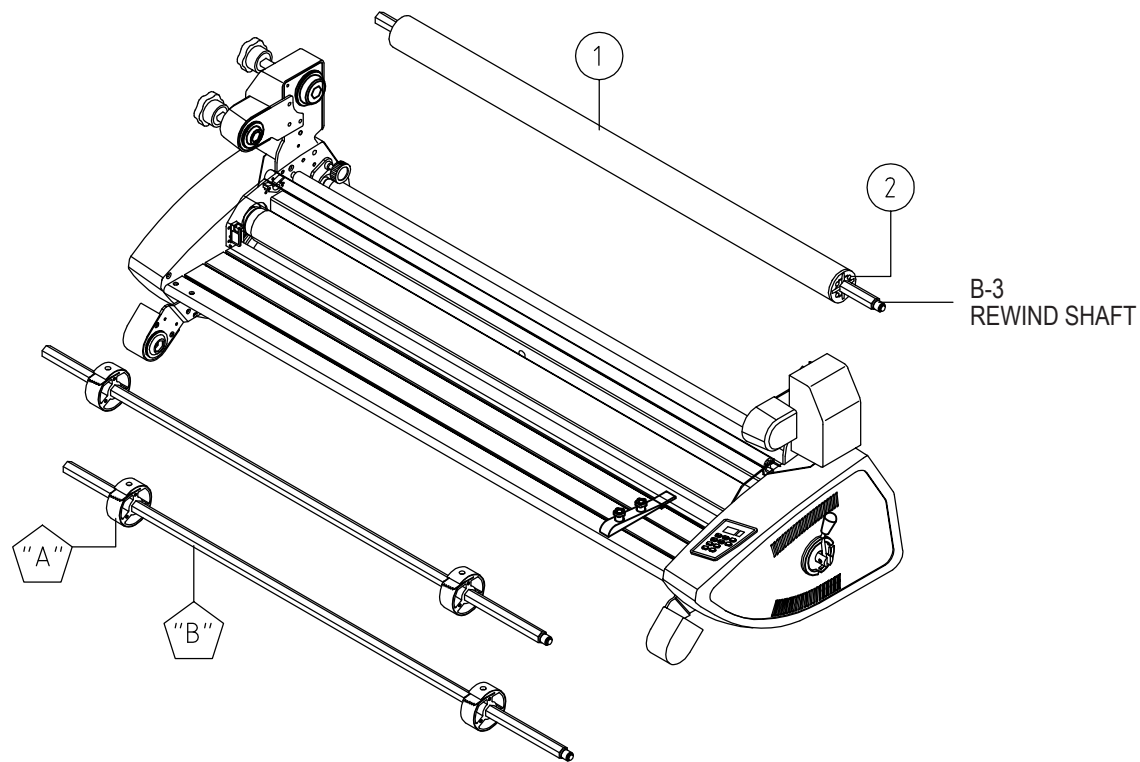
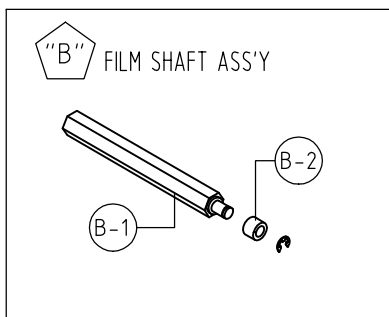
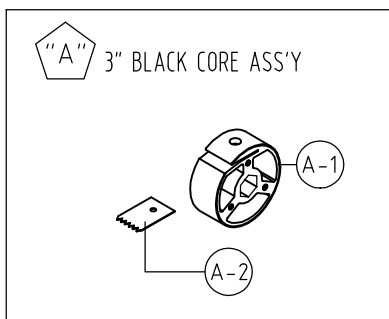


SignMaker 44

Ass'y-13

Rev1.0

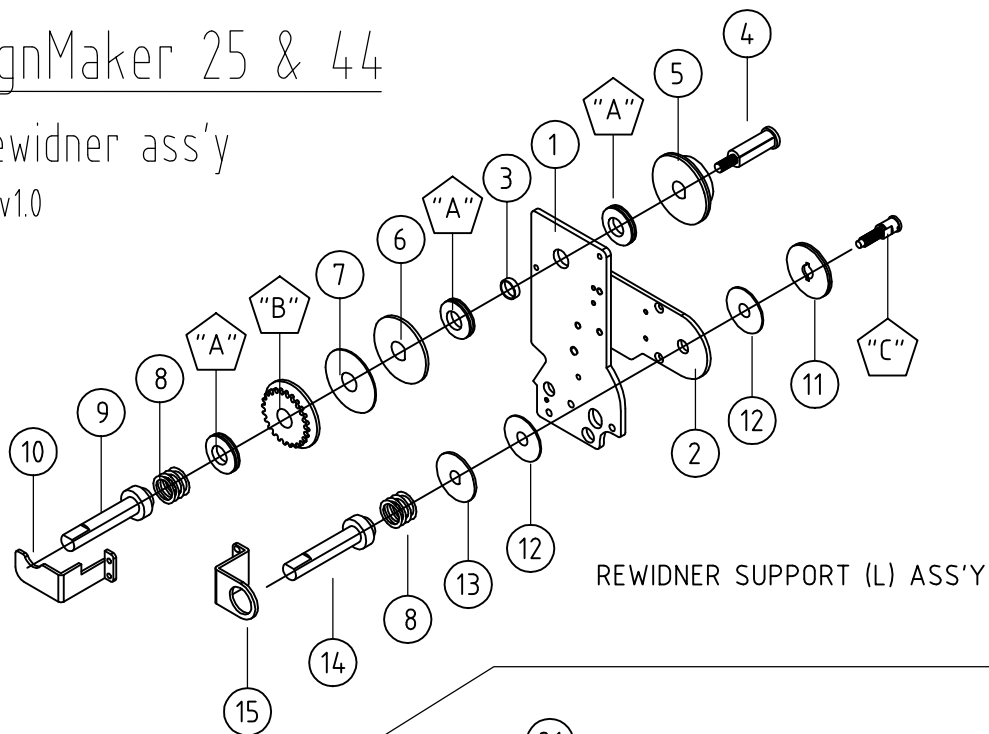
Item No.	Part No.	Part name	Spec	Quantity
1	810500065	REWIND TUBE	F58x8Tx1000	1EA
2	8050112	57MM CORE ADAPTOR	OFFICE-HR	2EA
A-1	633400016	3"BLACK CORE BUSHING	AL M19xT30xF75	4EA
A-2	631000069	3"CORE BUSH STOPPER PIN	STS0.8Tx4.0x12	4EA
B-1	632501589	EX-P 1080 HEX FILM SHAFT	FE HEX 19x1161	2EA
B-2	632500633	FILM SHAFT BUSH	F15.5xF10x11.0	3EA
B-3	632503995	REWIND SHAFT		1EA



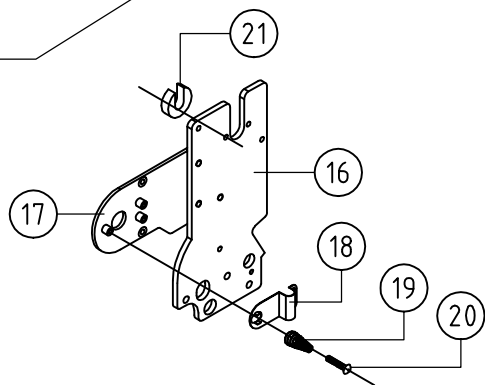
SignMaker 25 & 44

Rewidner ass'y

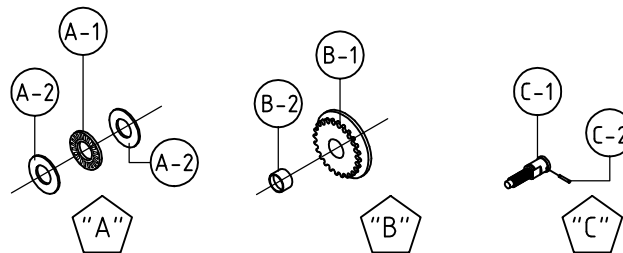
Rev1.0



REWIDNER SUPPORT (L) ASS'Y



REWIDNER SUPPORT (L) ASS'Y



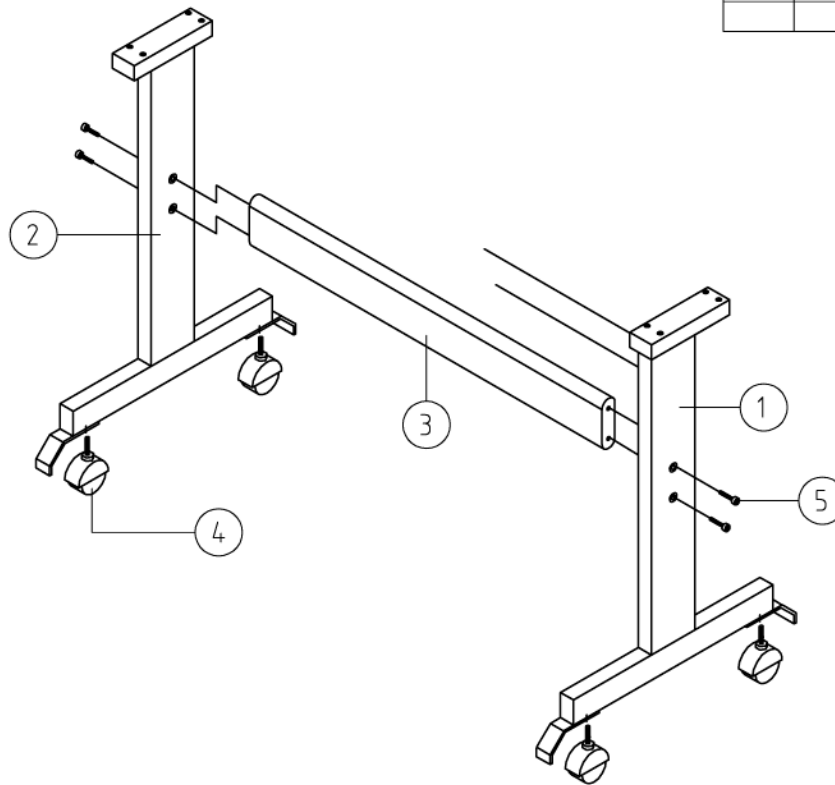
Item No.	Part No.	Part name	Spec	Quantity
1	630600534	S/MAKER REWIDNER SUPPORT (L)	SPC4.0T 203x868xF17	1EA
2	630600536	UNWINDER SUPPORT (L)	SPC4.0T 73x147xF12	1EA
3	635500149	DU BUSHING TUBE	15x04	1EA
4	632501559	REWIDNER TENSION BOLT	S45C F15x62xM8	1EA
5	630800108	SURELAM OUTER TENSION SIDK	FE 3.0x62x28x19	1EA
6	634100136	HR2 INSIDE TENSION DISK	3.0TxF56	1EA
7	634100138	F55 CLUTCH SKIN PAD	SKIN 2.0TxF15xF55	1EA
8	810400133	FILM PIPE SPRING	3.5TxF26x24mm	2EA
9	632501703	CATENA TENSION BLOCK	S45C F25xF15x90	1EA
10	630600516	REWINDER TENSION BLOCK STOPPER	SPC3.0T 27x62.5x53.5	1EA
11	630600087	EX-II 1055 OUTSIDE TENSION PLATE	FE2.0T F44x8xM19 (BK451)	1EA
12	634100126	F45 CLUTCH SKIN PAD (F12)	SKIN 2.0T F12xF45	2EA
13	630600157	INSIDE TENSION PLATE	FE2.0TxF44	1EA
14	632501702	EAGLE TENSION BLOCK	S45C F25xF15x74	1EA
15	630600159	TENSION BLOCK STOPPER	FE 3.0T 65x35	1EA
16	630600535	S/MAKER REWINDER SUPPORT (R)	SPC4.0T 203x868	1EA
17	630600537	S/MAKER UNWINDER SUPPORT (R)	SPC4.0T 73x147xF16	1EA
18	630600163	FILM PIPE SPRING PLATE	SUS 0.5T 24x51	1EA
19	810400150	COIL SPRING	0.8T x35mm	1EA
20	810301387	M/S SHOULDER HEAD M4.0FH	M4.0x35FH WHT(26mm)	1EA
21	630200130	FILM SUPPORT		1EA
A-1	635400055	THRUST NIDDLE ROLL BEARING	AXK1528 1'	3EA
A-2	635400093	THRUST NIDDLE WASHER	AS1528	6EA
B-1	635800380	REWINDER CLUTCH SPROCKET	RS25H 24-TxF17xF60x10.5	1EA
B-2	635500112	DU BUSHING TUBE	15x10	1EA
C-1	632501314	FILM TENSION BOLT	S45C F13.5x30	1EA
C-2	810400042	SPRING PIN	2x15	1EA

SignMaker 44

Stand ass'y

Rev1.0

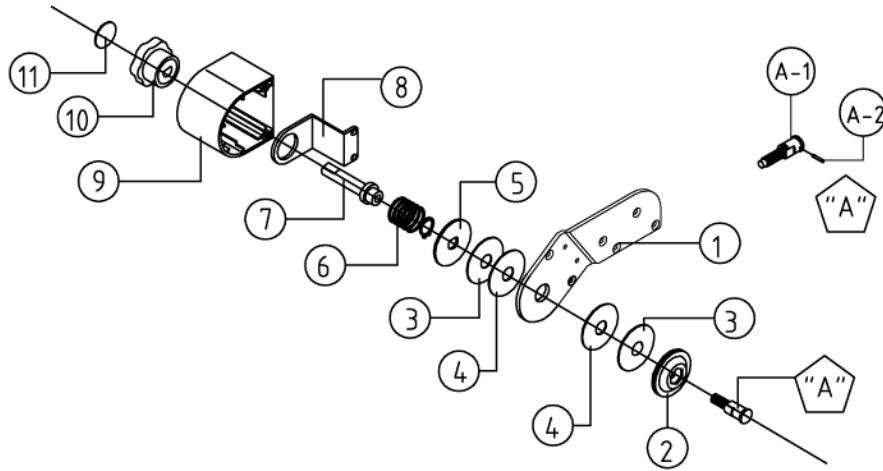
Item No.	Part No.	Part name	Spec	Quantity
1	630600412	CATENA STAND ROD (R)	SPCR 2.3T 50×30×802	1EA
2	630600411	CATENA STAND ROD (L)	SPCR 2.3T 50×30×802	1EA
3	601230763	SPARTAN STAND CONNECTOR	SPCR 2.3T 30×50×860	1EA
4	701130502	CASTER	10mm×40R	4EA
5	701109206	PRO LAMI TRIM STAND BOLT	S45C M8×F16×43	4EA



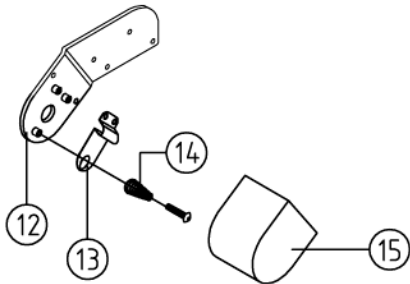
SignMaker 44

Unwinder As'y

Rev1.0



Film support ass'y (L)



Film support ass'y (R)

Item No.	Part No.	Part name	Spec	Quantity
1	636600621	S/MAKER-44 EXTENSION ARM (L)	SPC4.0T 159.9x90.9 (BK451)	1EA
2	601250114	EX-II 105 OUTSIDE TENSION PALTE	FE2.0T F44x8xM19 (BK451)	1EA
3	703070101	F45 CLUTCH SKIN PAD (F12)	SKIN 2.0T F12xF45	2EA
4	634100194	F12 CLUTCH PET PAD	PET 0.25TxF12xF45	2EA
5	601230702	EAGLE INSIDE TENSION DISK	FE 2.0T F44	1EA
6	701090141	FILM PIPE SPRING	3.5TxF26.x24mm	1EA
7	632501702	EAGLE TENSION BLOCK	S45C F25xF15x74	1EA
8	601230708	EAGLE TENSION BLOCK STOPPER	FE 3.0T 65x35	1EA
9	604022156	CATENA EXTENSION COVER (L)	PC 75.6x50 (GY-124)	1EA
10	604022152	CATENA TENSION KNOB	ABS 155x20x15 (700-15779)	1EA
11	810700092	COLD TENSION STICKER	F37 (WHITE)	1EA
12	636600622	S/MAKER-44 EXTENSION ARM (R)	SPC4.0T 159.9x90.9 (BK451)	1EA
13	601230763	FILM SHAFT SUPPORT PLATE	SUS 0.5T 24x51	1EA
14	701090158	COIL SPRING	0.8T x35mm	1EA
15	604022155	CATENA EXTENSION COVER (R)	PC 75.6x50	1EA
A-1	613030537	FILM TRENION BOLT	S45C F13.5x30	1EA
A-2	701090832	SPRING PIN	2x15	1EA