



SYS 4 PUNCH Parts List



GBC IS AN ACCO BRANDS COMPANY

8.0 PARTS LIST (Continued)

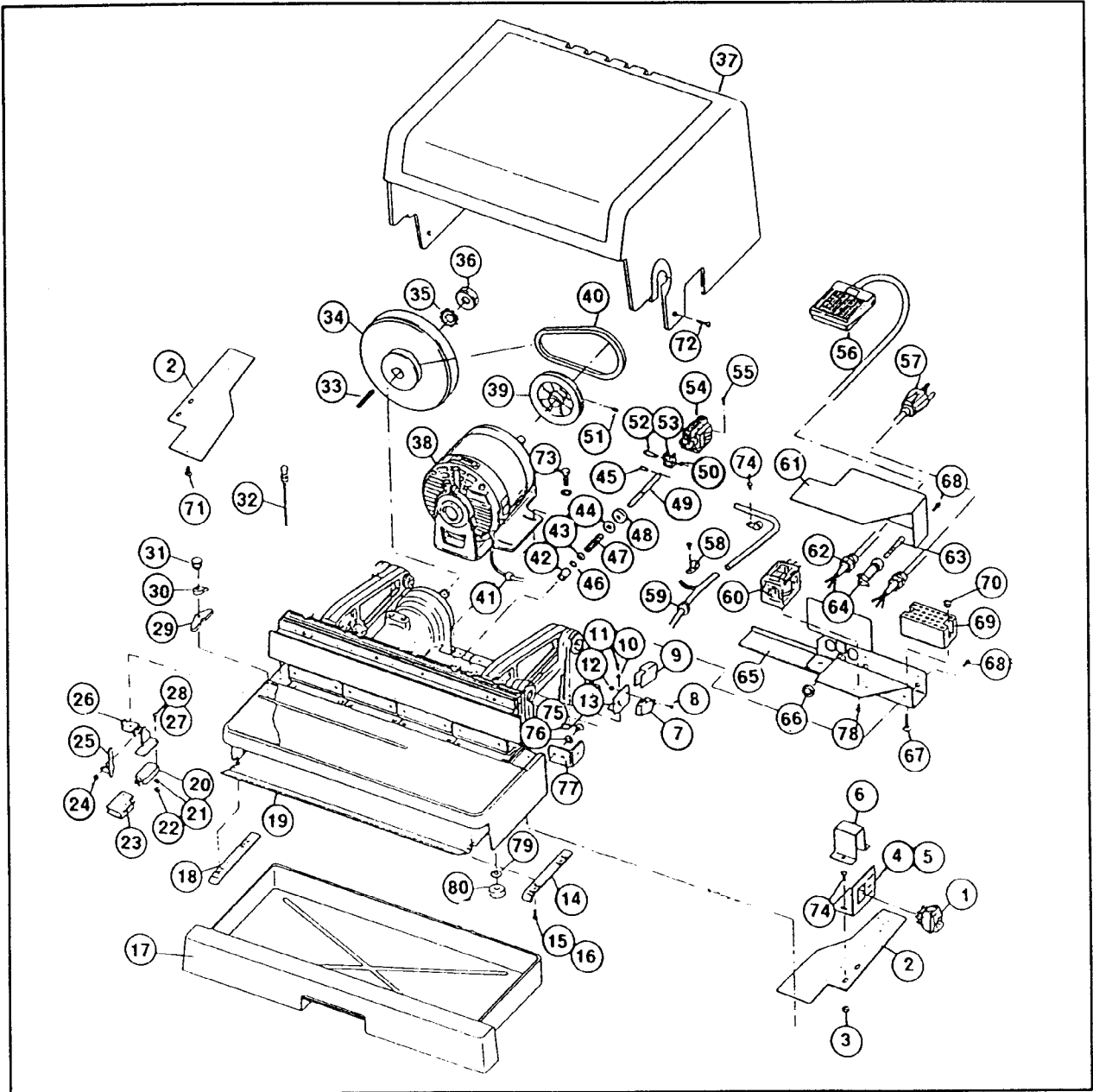


Figure 8.1

**8.0 PARTS LIST
(Continued)**

ITEM	PART NO.	DESCRIPTION	QTY 115V	QTY 230V
1	1128741	Switch, Control	1	1
2	1107247	Cover, Protective	2	2
3	1926802	Nut, #8-32	3	3
4	1128204	Bracket, Control Switch	1	1
5	6009040	Main Switch Label	1	1
6	1128209	Control Switch Guard	1	1
7	1128219	Switch, Underarm	1	0
	1128132	Switch, Underarm	0	1
8	1902840	Scr #4-40 x 3/4" PHCR (Mach)	2	2
9	1128208	Underarm Switch Guard	1	1
10	1925904	Ext. Tooth Lockwasher #6	2	2
11	1907902	Screw 6-32 x 3/8" RHCR	4	4
12	1926804	W'nut #4-40 (Keys)	2	2
13	1103795	Switch Mounting Bracket	1	1
14	1100122	Drawer Guide R.H.	1	1
15	1128182	Shoulder Bolt 10-32 x 9/32" Thd	4	4
16	1128183	Spring	4	4
17	7702439	Drawer, Chip	1	1
18	1100150	Drawer Guide L.H.	1	1
19	1101379	Shield	1	1
20	1131973	Table Switch	1	1
21	1925805	L'washer #2 Int't	2	2
22	1926714	Nut #2-56 (Doub. Champ.)	3	3
23	1131972	Insulator, Switch	1	1
24	1931603	Grip Ring 5/8" Shaft	1	1
25	1103610	Lever	1	1
26	1107220	Table Switch Brkt Assy	1	1
27	1925129	Washer, Flat #4	5	5
28	1902868	Screw #2-56 x 7/8 PHCR (Mach)	2	2
29	7702443	Guide, Edge	1	1
30	7702444	Locking Collar	1	1

Figure 8.1 Parts Listing

**8.0 PARTS LIST
(Continued)**

ITEM	PART NO.	DESCRIPTION	QTY 115V	QTY 230V
31	7702437	Dome Knob, Edge Guide	1	1
32	1128158	Dip Stick & Knob Assy	1	1
33	1100178	Key, Flywheel	1	1
34	1100963	Fly Wheel (Machined)	1	1
35	1118803	Bearing Lock Washer	1	1
36	1103767	Hex Jam Nut 5/8-18 Left HHD	1	1
37	7702438	Cover	1	1
38	1118839	Motor 115V 60Hz	1	0
	1100190	Motor	0	1
39	1107242	Pulley, Motor	1	1
40	1100195	V-belt	1	1
41	1954013	Grommet	1	1
42	1952218	Clutch Pin Bushing	1	1
43	1100164	Spring Retainer Wash.	1	1
44	1103739	Clutch Pin Washer	1	1
45	1929215	Roll Pin (1/8 Spring Pin)	1	1
46	1930501	Retaining Ring (.312 Shaft)	1	1
47	1100069	Clutch Pin Spring	1	1
48	1103733	Oil Seal	2	2
49	1118834	Clutch Pin	1	1
50	1930518	Retaining Ring	2	2
51	1900056	Set Screw 5/16-18 x 1/4" SHFP	1	1
52	1118830	Shaft-Solenoid	1	1
53	1118831	Link Solenoid	1	1
54	1118832	Solenoid	1	0
	1128136	Solenoid	0	1
55	1902919	Screw 6-32x5/16" RHCR (Mach)	4	4
56	1101896	Switch & Cord Assy, Foot	1	0
	1128156	Foot Switch	0	1
57	1100027	Cord Set, Power	1	0
	1119138	Line Cord Set	0	1
	1128157	Line Cord	0	1

Figure 8.1 Parts Listing

**8.0 PARTS LIST
(Continued)**

ITEM	PART NO.	DESCRIPTION	QTY 115V	QTY 230V
58	1931001	Clamp	2	2
59	1954008	Grommet	1	1
60	1103754	Relay	1	0
	1154238	Relay	0	1
61	1128210	Guard, Electrical Assy	1	1
62	1952417	Bushing, Strain Relief	2	0
	1952414	Strain Relief	0	2
63	1103554	Fuse 1 Amp 250V	1	0
	1103048	Fuse 1 Amp 250V	0	1
64	1132343	Fuse Holder	1	1
65	1128214	Bracket, Electric	1	1
66	1128217	Spacer, Fuse Holder	1	1
67	1902812	Screw #6-32 x 7/8 PHCR	2	2
68	1907803	Screw 6-32 x 3/8" PHCE	2	2
69	1107215	Terminal Block	1	1
70	1926801	W'nut #6-32 (Keps)	2	2
71	1907810	Screw 8-32 x 3/8" PHCR	6	6
72	7701634	Washer, Painted (Not Shown)	4	4
	1902807	Screw 1/4-20 x 3/4" PHCRM	4	4
73	1903204	Screw 5/16-18 x 1/2" HHFL	4	4
74	1911131	Screw 8-32 x 3/8" PHCR Sems	3	3
75	1902801	Screw 1/4-20 x 5/8" PHCR	8	8
76	1926002	Lockwasher 1/4" Med	4	4
77	7701639	Cover Bracket (Sys Four Punch)	2	2
	7701639	Cover Bracket (Gest/Nash 570P)	2	2
	1103707	Cover Bracket (Gest QB 570P)	2	0
78	1911121	W'screw #6-32 x 1/2 PHP (Sems)	1	1
79	1100180	Packing Washer	4	4
80	1100228	Rubber Foot	4	4

Figure 8.1 Parts Listing

8.0 PARTS LIST (Continued)

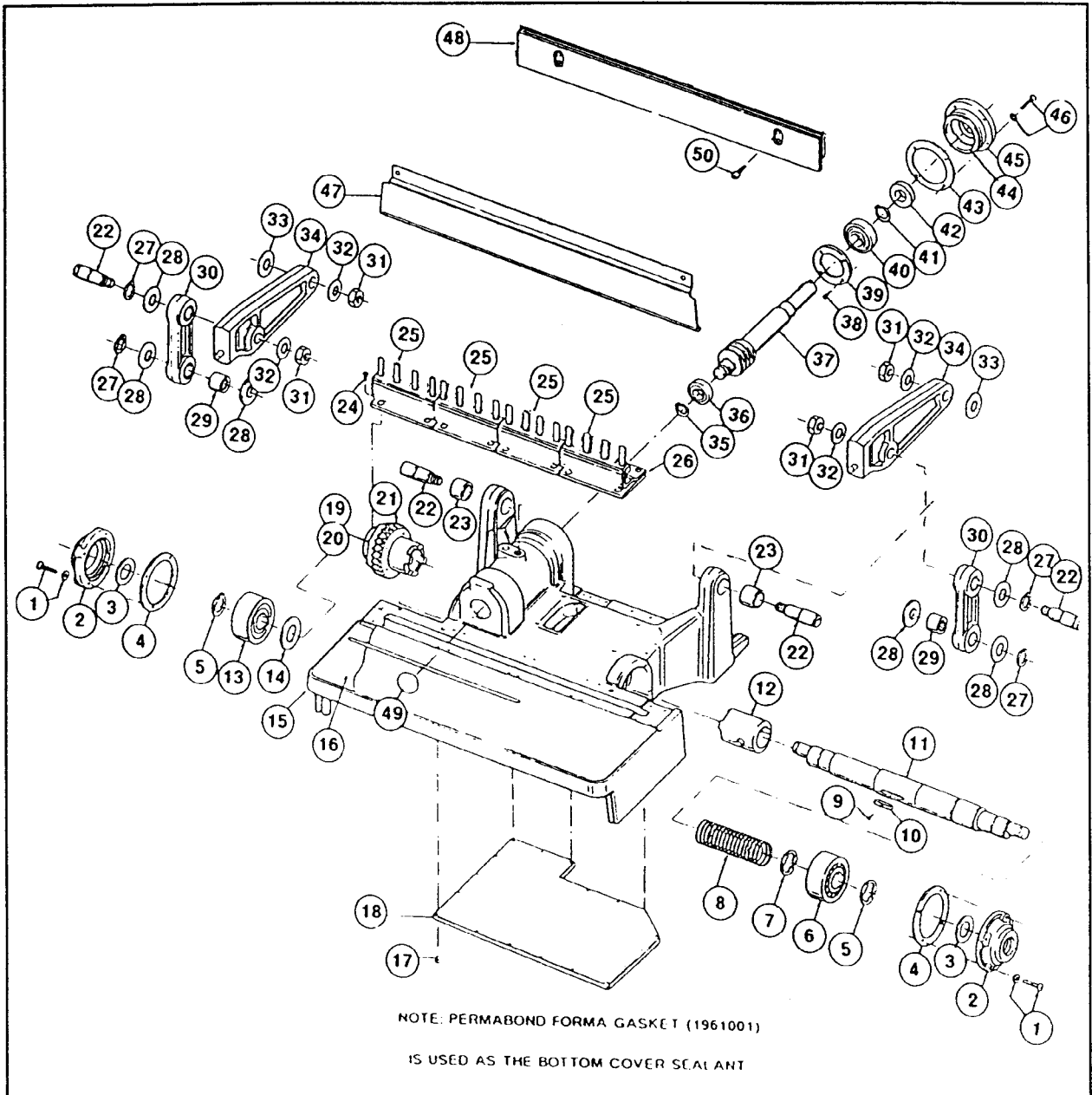


Figure 8.2

8.0 PARTS LIST (Continued)

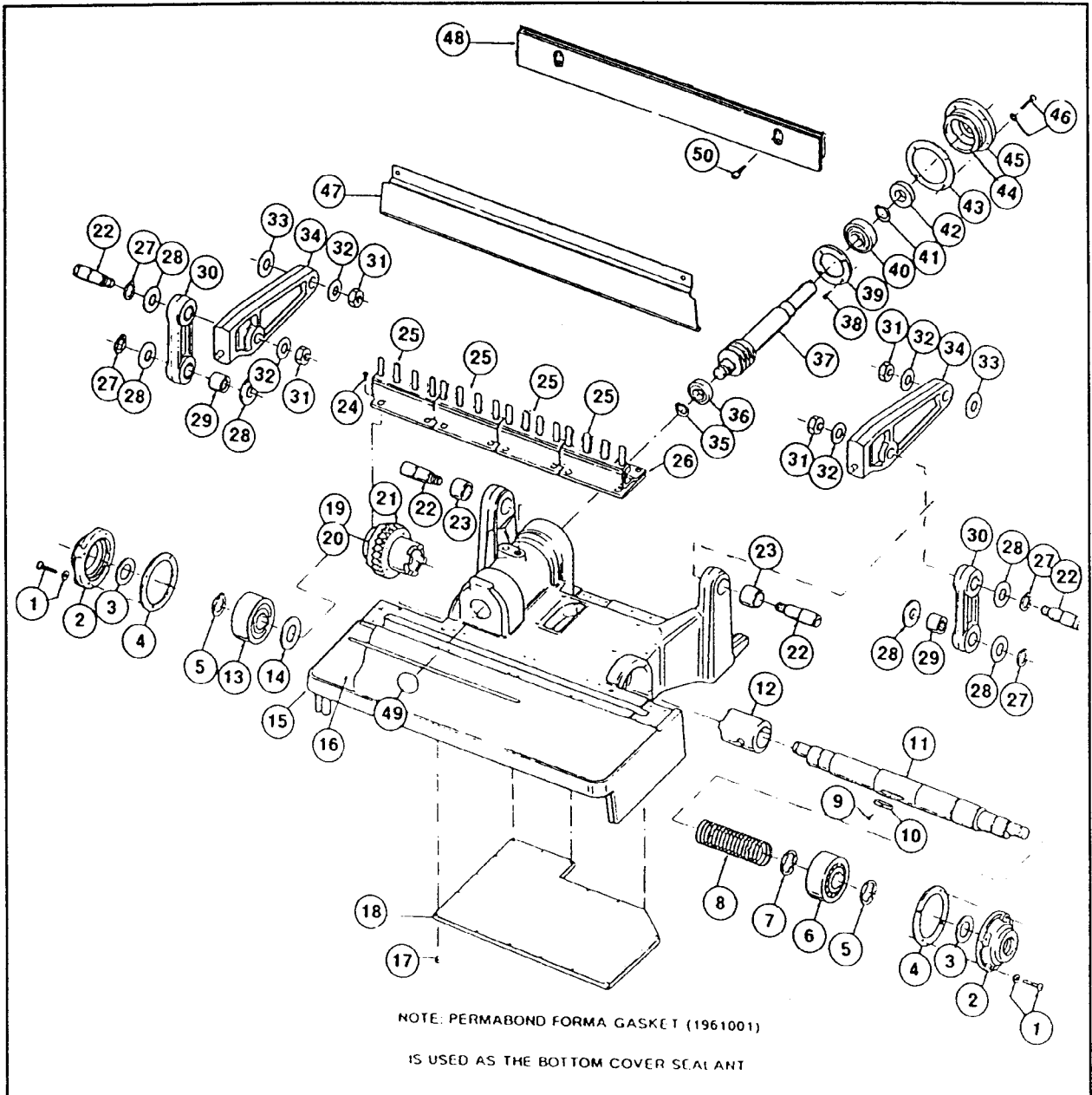


Figure 8.2

**8.0 PARTS LIST
(Continued)**

ITEM	PART NO.	DESCRIPTION	QTY 115V	QTY 230V
1	1911117	W'screw #10-32 x 7/8" PHP	8	8
2	1132121	Bearing Cap (Machined)	2	2
3	1101299	Oil Seal	2	2
4	1132120	Bearing Cap Gasket	2	2
5	1930504	Retainer, Tru-Arc	2	2
6	1100056	Bearing	1	1
7	1930506	Retainer, Tru-Arc	1	1
8	1100066	Clutch Spring	1	1
9	1900501	Screw 5/16-18 x 1-3/4" SH Cap	1	1
10	1100065	Clutch Jaw Key	1	1
11	1100055	Crankshaft	1	1
12	1100064	Clutch Jaw	1	1
13	1100073	Bearing W/snap Ring	1	1
14	1100182	Stop Washer 1.625 OD x .986 ID x 0.0	1	1
15	7702436	Base	1	1
16	7702428	Table Laminate (Sys Four Punch)	1	0
	7702471	Table Laminate (Sys Four Punch)	0	1
	7702471	Table Laminate (Gest/Nash 570P)	1	1
	7702428	Table Laminate (Gest QB 570P)	1	0
17	1903207	Screw 10-32x3/8" HHFL (Mach)	19	19
18	1100898	Cover, Bottom	1	1
19	1900503	Screw SHCS 10-32 x 3/4	4	4
20	1926001	Washer SPG Lock #10	4	4
21	1100244	Worm Gear Assy	1	1
22	6210037	Wrist Pin	4	4
23	1952224	Pivot Pin Bushing	2	2
24	1902601	Screw 10-32 x 3/8" (Sys Four Punch)	8	8
	1902601	Screw 10-32 x 3/8" (Gest/Nash 570P)	4	4
	1902601	Screw 10-32 x 3/8" (Gest QB 570P)	8	0

Figure 8.2 Parts Listing

**8.0 PARTS LIST
(Continued)**

ITEM	PART NO.	DESCRIPTION	QTY 115V	QTY 230V
25	7702427	Die Assy (Sys Four Punch)	4	0
	7702464	Die Assy (Sys Four Punch)	0	1
	7702464	Die Assy (Gest/Nash 570P)	1	1
	7702427	Die Assy (Gest QB 570P)	4	0
26	1900533	Screw 10-32 x 2 (Sys Four Punch)	8	8
	1900563	Screw 10-32 x 3/4" (Gest/Nash 570P)	4	4
	1900533	Screw 10-32 x 2 (Gest QB 570P)	8	0
27	1930507	Ring, Retaining	4	4
28	1925116	Flatwasher 1 1/4" OD x 0.64 ID	6	6
29	1952263	Bearing - Porous Bronze	4	4
30	1100050	Connecting Rod	2	2
31	1926612	Jam Nut 1/2 - 20	4	4
32	1925808	Lockwasher 1/2" Int Tooth	4	4
33	1100024	Washer	2	2
34	1103727	Pressure Bar Arm	2	2
35	1930502	Retainer, Tru-Arc	1	1
36	1100079	Bearing	1	1
37	1100984	Worm Shaft	1	1
38	1900532	Screw 6-32 x 1/4" SHCS	4	4
39	1100209	Bearing Clamp	1	1
40	1100210	Bearing	1	1
41	1930503	Retainer Ring	1	1
42	1100081	Oil Seal C/R	1	1
43	1100082	Bearing Retainer Gasket	1	1
44	1960532	Retaining Compound	A/R	A/R
45	1100080	Bearing Retainer (Mach)	1	1
46	1911107	Sems W'screw #10-32 x 5/8" PHP INT	4	4
47	7702442	Cover Plate	1	1
48	7702429	Pressure Bar (Sys Four Punch)	1	0
	7702465	Pressure Bar (Sys Four Punch)	0	1
	7702465	Pressure Bar (Gest/Nash 570P)	1	1
	7702429	Pressure Bar (Gest QB 570P)	1	0

Figure 8.2 Parts Listing

**8.0 PARTS LIST
(Continued)**

ITEM	PART NO.	DESCRIPTION	QTY 115V	QTY 230V
49	1100030	Expansion Plug	1	1
50	1964504	Screw 5/16 - 18 x 1 SHCS (Self-Lock).....	2	2

Figure 8.2 Parts Listing

**8.0 PARTS LIST
(Continued)**

PART NO.	DESCRIPTION	QTY 115V	QTY 230V
1154298	Caution Label.....	1	1
1129121	Label, Patent Number.....	1	1
1954116	Pin, Dowel 1/8 x 3/8" Long.....	2	2
1930510	Ring, Retaining (0.2500 Shaft).....	1	1
1961504	Oil, Mobil 150 VG 150 (24 FL Oz Max.....	A/R	A/R
1961503	Lubriplate #130-AA.....	A/R	A/R
6009000	Label, Caution (English).....	1	1
1961001	Primabond Forma Gasket.....	A/R	A/R
1931043	Cable Clamp.....	1	1
1954111	Dowel Pin 3/8 x 1 1/4" Lg.....	2	2
1932121	Wire Tie.....	9	9
1925803	Lockwasher #10 (Int't).....	1	1
1926202	Shim Washer (1-1/2" OD x 1" ID).....	2	2
1102308	Label (Rotation).....	1	1
1926201	Shim Washer 1 1/2" OD x 1" ID.....	2	2
1956201	Lead & Terminal Assy w/insul. Tubing.....	1	1
1128266	Green Wire & Term Assy.....	1	0
1961505	Lubriplate (MO-LITH #2).....	A/R	A/R
1963701	O-ring 3/8 OD x 1/4 ID x 1/16 T.....	2	2
1908503	Ground Screw #6-32 x 3/16" (Mach) P.....	2	1
1925802	Lockwasher #6 Int't.....	4	4
1105559	Fuse Label.....	2	0
1128416	Label, Ground Symbol.....	1	2
1118932	Lead & Terminal Assy.....	1	1
1118933	Lead & Terminal Assy.....	1	1
1118934	Lead & Terminal Assy.....	1	1
1118935	Lead & Terminal Assy.....	1	1
1118938	Lead & Terminal Assy.....	1	1
1118939	Lead & Terminal Assy.....	1	1
1118940	Lead & Terminal Assy.....	1	1
1118941	Lead & Terminal Assy.....	1	1
1118942	Lead & Terminal Assy.....	1	1

Misc Parts Listing

**8.0 PARTS LIST
(Continued)**

PART NO.	DESCRIPTION	QTY 115V	QTY 230V
1118943	Lead & Terminal	1	1
1118944	Lead & Terminal	1	1
1118945	Lead & Terminal	1	1
1957602	Lead & Terminal	1	1
1957603	Lead & Terminal	1	1
1128331	Test Stock 20# 4-1/4	30	30
1118949	Schematic	1	1
1902610	Screw 8-32 x 3/8" FHCR (Mach)	1	1
1960525	Loctite - Superbond #495-50	A/R	A/R
1129481	Carton	1	1
1129926	Base Pad	1	1
1129483	Pad	1	1
7702500	System Four Packaged Assy	0	1
1129484	Tube	1	1
1100458	Bag, Small Parts	1	1
1901511	Screw 1/4-20 x 1-1/4 RHSM	4	4
1925118	Packing Washer #5/16	4	4
1929301	Staples	12	12
1963503	Poly Strap, Per Foot	14	14
1155000	Nameplate	1	1
6000021	Operating Instructions	1	0
1107516	Polybag 9 x 12.5 x .002	1	1
1136640	Ground Wire & Term Assembly	0	1
1131959	Fuse Label	0	2
1128253	Lead & Terminal Assy	0	1
1128254	Lead & Terminal Assy	0	1
1128050	Wire Lead Grd. (Grn/Yellow)	0	1
1960512	Loctite TL-242	0	A/R
1907817	Screw #6-32 x 5/8 PPh (Thd Cut'g)	0	2
1128415	Insulator - Term Conn.	0	1
1128734	Block - 3 Pole Terminal	0	1
7702400	System Four Packaged Assy	1	0

Misc Parts Listing

**8.0 PARTS LIST
(Continued)**

PART NO.	DESCRIPTION	QTY 115V	QTY 230V
7702501	System Four Punch Assy	0	1
6009070	Pressure Bar Logo (Sys Four Punch).....	1	1
6009071	Pressure Bar Logo (Gest QB 570P).....	1	0
1900066	Set Screw 6-32 x 1/4 SHFD	8	8
7702426	Hole Cover	1	1
6002008	Engineering Spec	Ref	0
7702432	Clevis Pin	4	4
7702434	Stripper Collar	4	4
1902624	Cover Plate Screw 8-32 x 5/8" FHCR	4	4
7702401	System Four Punch Assy	1	0
6009001	Caution Label (German).....	0	1
1902638	Cover Screw 1/4 x 7/8 FHCR (Mach)	4	4

Misc Parts Listing