



STL 1000 PARTS LIST



GBC IS AN ACCO BRANDS COMPANY

**Exploded
Assembly
And
Parts
List**

LOCK KIT - 0750086800

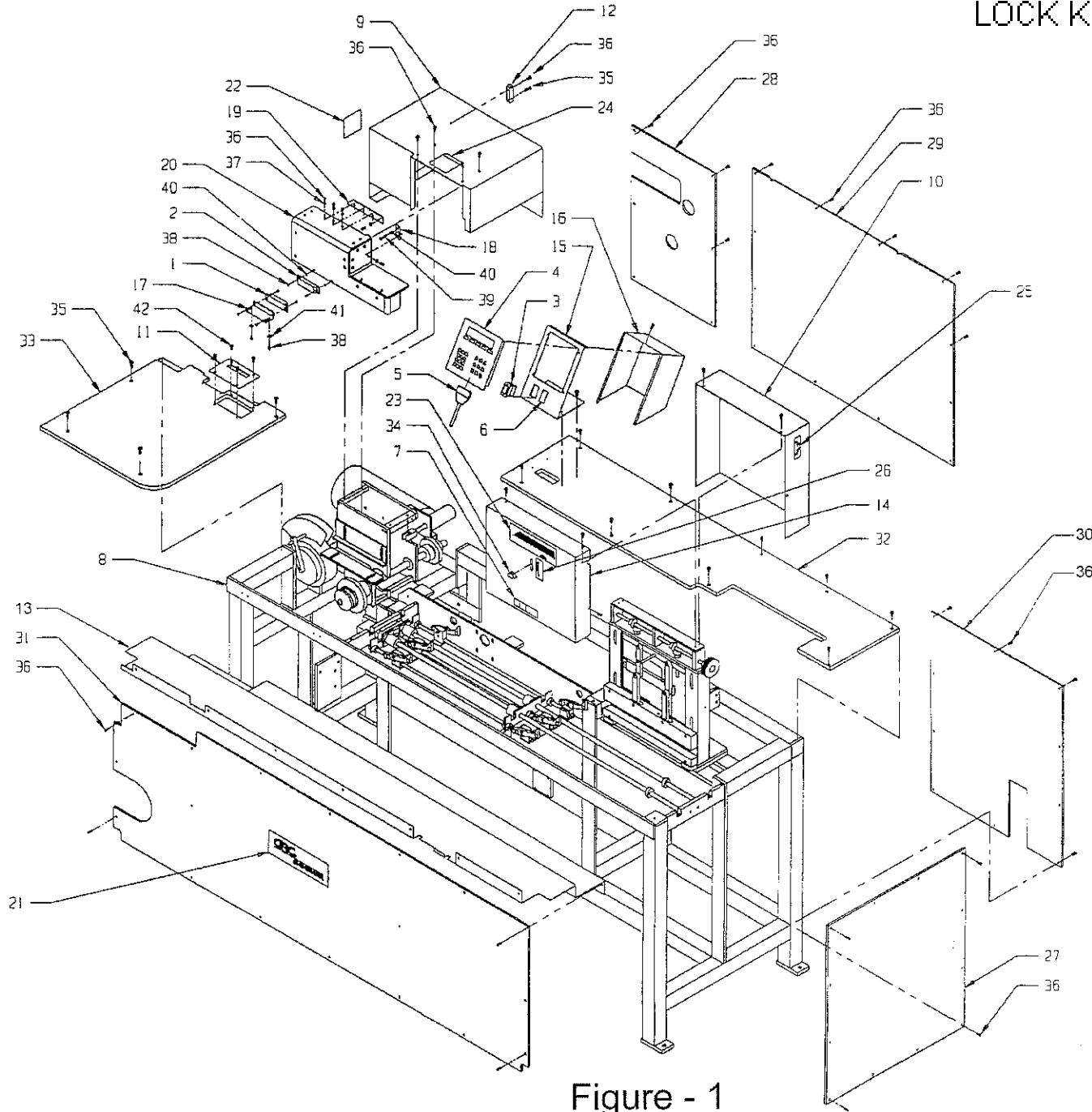


Figure - 1

Figure - 1 Parts List

| | GBC/SICKINGER P/N | DESCRIPTION | QTY. REQ'D. |
|----|-------------------|----------------------------|-------------|
| 1 | 0220284400 | Switch - Magnetic | 1 |
| 2 | 0750140100 | Magnet - Coded | 1 |
| 3 | 0220011200 | Rocker Switch | 1 |
| 4 | 0460014600 | Keypad | 1 |
| 5 | 0460014800 | Cable - Keypad | 1 |
| 6 | 0480000600 | Decal - | 1 |
| 7 | 0480005900 | Decal - | 1 |
| 8 | 0460000100 | Frame | 1 |
| 9 | 0460004600 | Guard - Feed Assembly | 1 |
| 10 | 0460004800 | Cover - Rear | 1 |
| 11 | 0460005000 | Guard - Threading | 1 |
| 12 | 0460005200 | Bracket - Guard | 1 |
| 13 | 0460005300 | Guard - Knee | 1 |
| 14 | 0460005800 | Cover - Front | 1 |
| 15 | 0460014400 | Bracket - Keypad | 1 |
| 16 | 0461000200 | Cover - Keypad | 1 |
| 17 | 0461000500 | Bracket - Magnetic Switch | 1 |
| 18 | 0462045600 | Angle - Short | 1 |
| 19 | 0462045700 | Hinge - Guard | 1 |
| 20 | 0462049000 | Guard | 1 |
| 21 | 0480001000 | Tag - GBC/Sickinger | 1 |
| 22 | 0480001300 | Decal - Warning Guards | 1 |
| 23 | 0480001700 | Label - STL1000 | 1 |
| 24 | 0480002700 | Decal - Panel Caution | 1 |
| 25 | 0480003700 | Decal - Turn | 1 |
| 26 | 0480004700 | Decal - Size | 1 |
| 27 | 0480121000 | Panel - R/H | 1 |
| 28 | 0480121500 | Panel - Back L/H | 1 |
| 29 | 0480122000 | Panel - Back Center | 1 |
| 30 | 0480122500 | Panel - Back R/H | 1 |
| 31 | 0480123200 | Panel - Front | 1 |
| 32 | 0480123500 | Panel - Top | 1 |
| 33 | 0480124000 | Table Top | 1 |
| 34 | 0750088100 | Pointer | 1 |
| 35 | 0753389500 | Phillips Head Screw - Gray | 5 |
| 36 | 0753396000 | Phillips Head Screw - Gray | 79 |
| 37 | 0750431500 | Washer - Nylon #10 | 4 |
| 38 | 0750711100 | SHCS - #8-32 x 1/2 | 6 |
| 39 | 0750711800 | SHCS - #8-32 x 1 | 1 |
| 40 | 0750301000 | Jam Nut - #8-32 Thd | 5 |
| 41 | 0750403500 | Flat Washer - #8 | 2 |
| 42 | 0750935300 | BHCS - 10-24 x 1/2 | 4 |

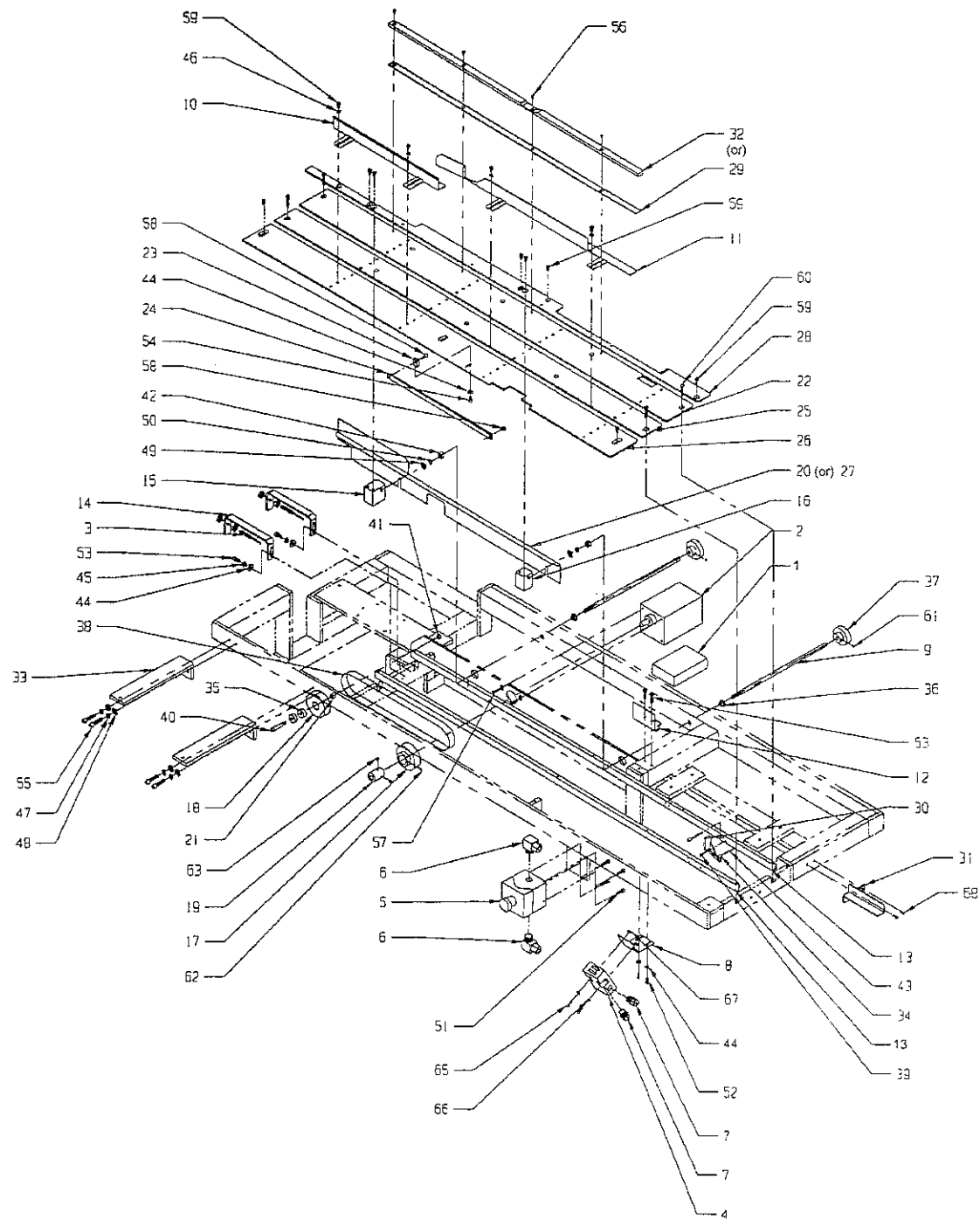


Figure - 2

Figure 2 - Parts List

| ITEM NO. | GBC/SICKINGER P/N | DESCRIPTION | QTY. REQ'D. |
|----------|-------------------|------------------------------------|-------------|
| 1 | 0220004400 | Terminal Box | 1 |
| 2 | 0220004500 | Gearmotor - 14-RPM | 1 |
| 3 | 0220014900 | Switch - Prox (For Counting Coils) | 2 |
| 4 | 0220017800 | Interlock Switch | 1 |
| 5 | 0220034900 | Emergency Stop Assembly | 1 |
| 6 | 0220130600 | Strain Relief - 90 degree | 2 |
| 7 | 0220130900 | Strain Relief - Straight | 2 |
| 8 | 0460008500 | Bracket - Limit Switch | 1 |
| 9 | 0460000700 | Adjusting Screw | 2 |
| 10 | 0460002800 | Guide Rail - L/H | 1 |
| 11 | 0460002900 | Guide Rail - R/H | 1 |
| 12 | 0460003000 | Guide - Rear | 1 |
| 13 | 0460003100 | Bar Support - Plate | 2 |
| 14 | 0460003700 | Bracket - Prox | 2 |
| 15 | 0460003900 | Support - Guide - Large | 1 |
| 16 | 0460004000 | Support - Guide - Small | 1 |
| 17 | 0460004100 | Pulley with Hub | 1 |
| 18 | 0460004200 | Pulley | 1 |
| 19 | 0460004300 | Arbor | 1 |
| 20 | 0460004400 | Guide - Element - Small | 1 |
| 21 | 0460004500 | Spacer | 1 |
| 22 | 0460005400 | Top Plate -2 | 1 |
| 23 | 0460005600 | Support - Brace | 1 |
| 24 | 0460005700 | Brace - Guard | 1 |
| 25 | 0460006300 | Top Plate - 3 | 1 |
| 26 | 0460006400 | Top Plate - 4 | 1 |
| 27 | 0460006500 | Guide - Element - Large | 1 |
| 28 | 0460006600 | Top Plate -1 | 1 |
| 29 | 0460006700 | Strip - Element | 1 |
| 30 | 0460006800 | Book Stop Weldment | 1 |
| 31 | 0460006900 | Extension Guide | 1 |
| 32 | 0460007000 | Strip - Element - 3/8 | 1 |
| 33 | 0460004900 | Bracket Weldment | 2 |
| 34 | 0482035300 | Tubing - Polyurethane | 2 |
| 35 | 0485056200 | Ball Bearing - 5/16 ID | 2 |
| 36 | 0485074900 | Bearing - Nylon 3/8 ID | 2 |
| 37 | 17610112 | Handwheel | 2 |
| 38 | 0750161800 | Belt - Flat | 1 |
| 39 | 0750227500 | Shoulder Screw - 5/16 Dia | 1 |
| 40 | 0750235000 | Shoulder Screw - 5/16 Dia | 1 |
| 41 | 0750306500 | Hex Nut - 5/16-18 | 1 |
| 42 | 0750309000 | Hex Nut - 3/8-16 | 2 |
| 43 | 0750363000 | Rollpin - 1/8 Dia. | 2 |
| 44 | 0750405500 | Washer - Flat #10 | 7 |
| 45 | 0750406000 | Washer - Lock #10 | 2 |
| 46 | 0750409000 | Washer - Flat 1/4 ID | 4 |
| 47 | 0750412500 | Washer - Flat 5/16 ID | 4 |
| 48 | 0750413000 | Washer - Lock 5/16 ID | 4 |
| 49 | 0750415000 | Washer - Flat 3/8 ID | 2 |
| 50 | 0750416000 | Washer - Lock 3/8 ID | 2 |

Old Part#, 0750227500, 3/16x1/4
 New Part# is 0750230200, 1/4x1/4
 standard shoulder screw

Figure 2 Parts List

| ITEM NO. | GBC/SICKINGER P/N | DESCRIPTION | QTY. REQ'D. |
|----------|-------------------|-----------------------------------|-------------|
| 51 | 0750711100 | SHCS - #8-32 x 1/2 | 4 |
| 53 | 0750713600 | SHCS - #10-24 x 3/8 | 2 |
| 54 | 0750714100 | SHCS - #10-24 x 1/2 | 1 |
| 55 | 0750729100 | SHCS - 5/16-18 x 1 | 4 |
| *56 | 0750858100 | FHCS - #8-32 x 3/8 | 4 |
| 57 | 0750862500 | FHCS - #10-32 x 1/2 | 4 |
| 58 | 0750864100 | FHCS - 1/4-20 x 1/2 | 1 |
| 59 | 0750940100 | BHCS - 1/4-20 x 3/8 | 5 |
| 60 | 0750943900 | BHCS - 1/4-20 x 1 1/4 | 4 |
| 61 | 0751024000 | Set Screw - 1/4-20 x 1/4 | 2 |
| 62 | 0751025000 | Set Screw - 1/4-20 x 3/16 | 1 |
| 63 | 07514010 | Set Screw - 8-32 x 3/16 | 2 |
| 65 | 0750711100 | SHCS - 8-32 x 1/2 | 2 |
| 66 | 0750403500 | Washer - Flat #8 | 2 |
| 67 | 0750301000 | Hex Nut 8-32 | 2 |
| 68 | 0750716200 | SHCS - 10-32 x 3/8 | 2 |
| 56 | 0750858200 | FHCS - # 8-32 x 1/2" Longer Screw | 4 |

Figure 3 - Parts List

| ITEM NO. | GBC/SICKINGER P/N | DESCRIPTION | QTY. REQ'D. |
|----------|-------------------|----------------------------|-------------|
| 1 | 0461000600 | Cable - Motor Feed | 1 |
| 2 | 0165009000 | Lever | 1 |
| 3 | 0220005300 | Gearmotor - 173 RPM | 1 |
| 4 | 0220013900 | Switch - Proximity | 1 |
| 5 | 0425002600 | Bracket - Proximity Switch | 1 |
| 6 | 0425002700 | Spacer - Proximity Switch | 1 |
| 7 | 0460009300 | Bracket - Motor | 1 |
| 8 | 0460006000 | Cover - Wires | 1 |
| 9 | 0426003500 | Bracket - L/H | 1 |
| 10 | 0426008600 | Bracket - R/H | 1 |
| 11 | 0425060100 | Frame - Despool | 1 |
| 12 | 0425060200 | Shaft - Idler | 1 |
| 13 | 0425060700 | Drive Wheel | 2 |
| 14 | 0425060800 | Shaft - Element Guide | 1 |
| 15 | 0425060900 | Shaft - Driven | 1 |
| 16 | 0425061100 | Guide - Element | 2 |
| 17 | 0425070100 | Flange - Take-up | 1 |
| 18 | 0425070200 | Spool - Take-up | 1 |
| 19 | 0425070300 | Shaft - Take-up Spool | 1 |
| 20 | 0485033000 | Bushing -Bronze 3/4 ID | 2 |
| 21 | 0480073500 | Chute - Loop | 1 |
| 22 | 0480120500 | Panel - L/H | 1 |
| 23 | 0485039000 | Bearing - Flanged 3/4 ID | 2 |
| 24 | 0485061100 | Bearing - Ball 3/4 ID | 4 |
| 25 | 0487020300 | Pulley | 1 |
| 26 | 0487020600 | Pulley | 2 |
| 27 | 0487020700 | Pulley | 1 |
| 28 | 0487021300 | Pulley | 1 |
| 29 | 0750029500 | Spring - Compression | 1 |
| 30 | 0750088800 | Handle - Adjustable | 1 |
| 31 | 0750094300 | T-Knob - 1/4 | 2 |
| 32 | 0750125200 | Snap Ring | 1 |
| 33 | 0750156700 | V-Belt | 1 |
| 34 | 0750194000 | Thrust Washer | 2 |
| 35 | 0750306500 | Hex. Nut - 5/16-18 | 2 |
| 36 | 0750409000 | Flat Washer - 1/4 | 4 |
| 37 | 0750410500 | Lock Washer - 1/4 | 6 |
| 38 | 0750522100 | HHCS - 5/16-18 x 3/4 | 2 |
| 39 | 0753396000 | Phillips Head Screw - Gray | 13 |
| 40 | 0750727000 | SHCS - 1/4-28 x 1 | 4 |
| 41 | 0750731400 | SHCS - 5/16-18 x 3 1/4 | 2 |
| 42 | 0750864100 | FHCS - 1/4-20 x 1/2 | 4 |
| 43 | 0750718900 | SHCS - 1/4-20 x 1/2 | 2 |
| 44 | 0751025000 | Set Screw - 1/4-20 x 3/16 | 4 |
| 45 | 0751075700 | Spring Plunger | 3 |
| 46 | 0751036000 | Set Screw - 5/16-18 x 1/4 | 4 |
| 47 | 0750002500 | Collar - Clamp 3/4 | 1 |
| 48 | 0480007000 | Tag - Direction Arrow | 1 |
| 49 | 0750722100 | SHCS - 1/4-20 x 1 | 2 |

Figure 3 - Parts List

| ITEM NO. | GBC/SICKINGER P/N | DESCRIPTION | QTY. REQ'D. |
|----------|-------------------|--------------------------|-------------|
| 50 | 0750535100 | HHCS - 3/8-16 x 1 | 2 |
| 51 | 0750415000 | Washer - Flat 3/8 ID | 2 |
| 52 | 0750416000 | Washer - Lock 3/8 ID | 2 |
| 53 | 0220134000 | Strain Relief | 1 |
| 54 | 0220112100 | Cord - SJO 18-3 | 1 |
| 55 | 0220193000 | Conduit Locknut | 1 |
| 56 | 0220015000 | Foot Switch | 1 |
| 57 | 0220015500 | Guard - Foot Switch | 1 |
| 58 | 0220011500 | Push Button | 1 |
| 59 | X | Legend Plate - Dereel | 1 |
| 60 | 0750086800 | Lock Kit | 1 |
| 61 | 0751403000 | Set Screw - 1/4-20 x 1/4 | 10 |

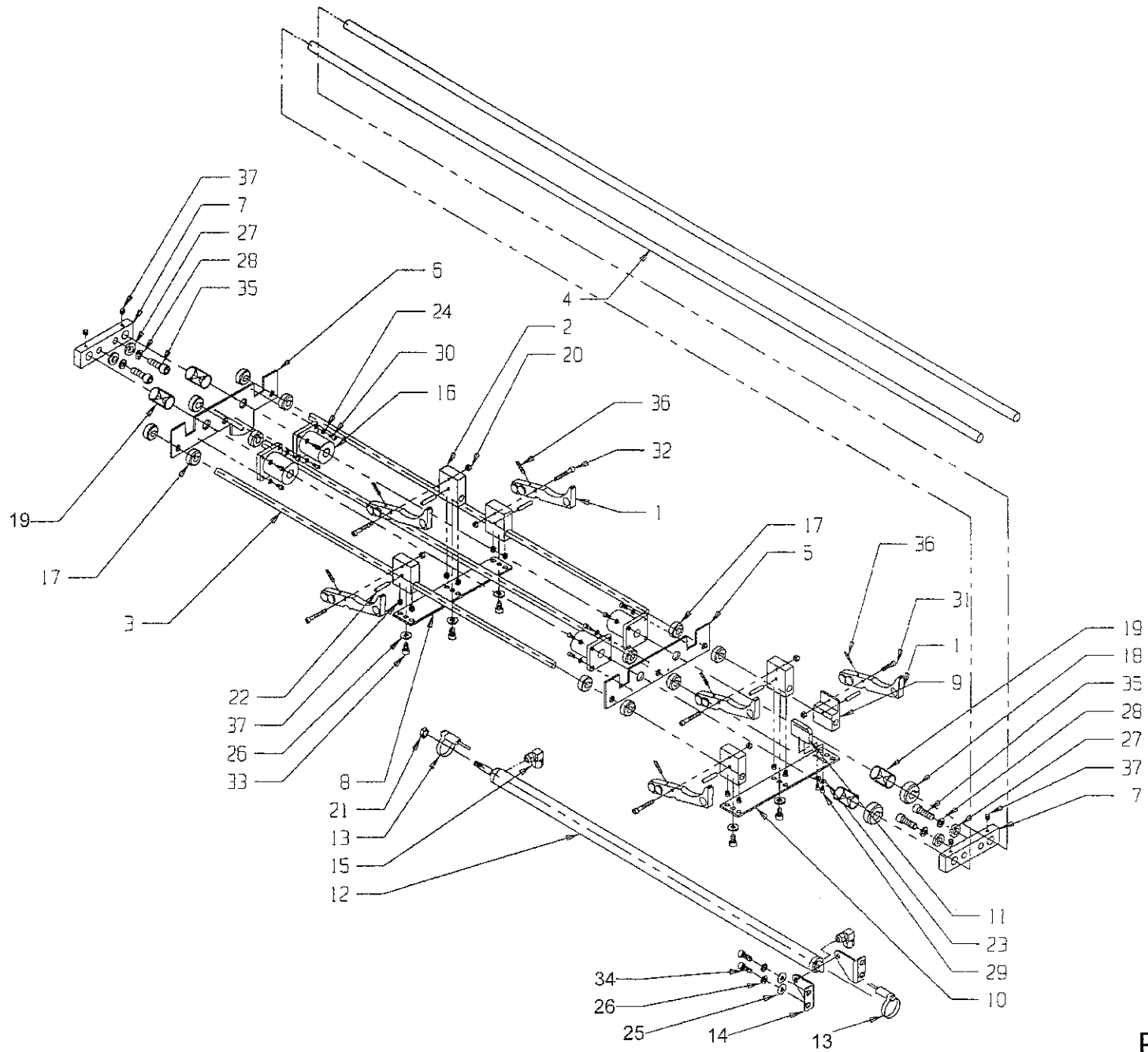


Figure - 4

Figure 4 Parts List

| ITEM NO. | GBC/SICKINGER P/N | DESCRIPTION | QTY. REQ'D. |
|----------|-------------------|--------------------------------|-------------|
| 1 | 0460020100 | Pusher | 8 |
| 2 | 0460020200 | Holder - Pusher | 5 |
| 3 | 0460020300 | Axle - Small | 3 |
| 4 | 0460020400 | Axle - Large | 2 |
| 5 | 0460020500 | Support Bearings - Small | 1 |
| 6 | 0460020600 | Support Bearings - Large | 1 |
| 7 | 0460020700 | Bracket | 2 |
| 8 | 0460020800 | Bottom Bracket | 1 |
| 9 | 0460020900 | Holder - Pusher | 1 |
| 10 | 0460021000 | Bottom Plate | 1 |
| 11 | 0460021100 | Actuator | 1 |
| 12 | 0482022700 | Air Cylinder - 3/4 B x 2 1/4 S | 1 |
| 13 | 0482022900 | Switch - Magnetic | 2 |
| 14 | 0482023100 | Pivot Bracket | 1 |
| 15 | 0482039500 | Elbow - Male | 2 |
| 16 | 0485059900 | Bearing - Flange Mount 1/2 ID | 4 |
| 17 | 0750001000 | Collar - Clamp-Tite 3/8 ID | 12 |
| 18 | 0750002000 | Collar - Clamp-Tite 1/2 ID | 2 |
| 19 | 0750042000 | Spring | 4 |
| 20 | 0750301500 | Hex Nut - 10-24 | 12 |
| 21 | 0750305500 | Hex Jam Nut - 1/4-28 | 1 |
| 22 | 0750366000 | Rollpin - 3/16 Dia. | 6 |
| 23 | 0750401500 | Washer - Flat #6 | 2 |
| 24 | 0750404000 | Washer - Lock #8 | 16 |
| 25 | 0750409000 | Washer - Flat 1/4 | 4 |
| 26 | 0750410500 | Washer - Lock 1/4 | 10 |
| 27 | 0750412300 | Washer - Flat 5/16 | 4 |
| 28 | 0750413000 | Washer - Lock 5/16 | 4 |
| 29 | 0750706600 | SHCS #6-32 x 3/8 | 2 |
| 30 | 0750711100 | SHCS #8-32 x 1/2 | 16 |
| 31 | 0750714600 | SHCS #10-24 x 3/4 | 1 |
| 32 | 0750715600 | SHCS #10-24 x 1 1/4 | 5 |
| 33 | 0750718600 | SHCS 1/4-20 x 3/8 | 6 |
| 34 | 0750718900 | SHCS 1/4-20 x 1/2 | 4 |
| 35 | 0750729100 | SHCS 5/16-18 x 1 | 4 |
| 36 | 0751019500 | Set Screw - #10-24 x 3/4 | 6 |
| 37 | 0751403000 | Set Screw - 1/4-20 x 1/4 | 16 |

Figure 5

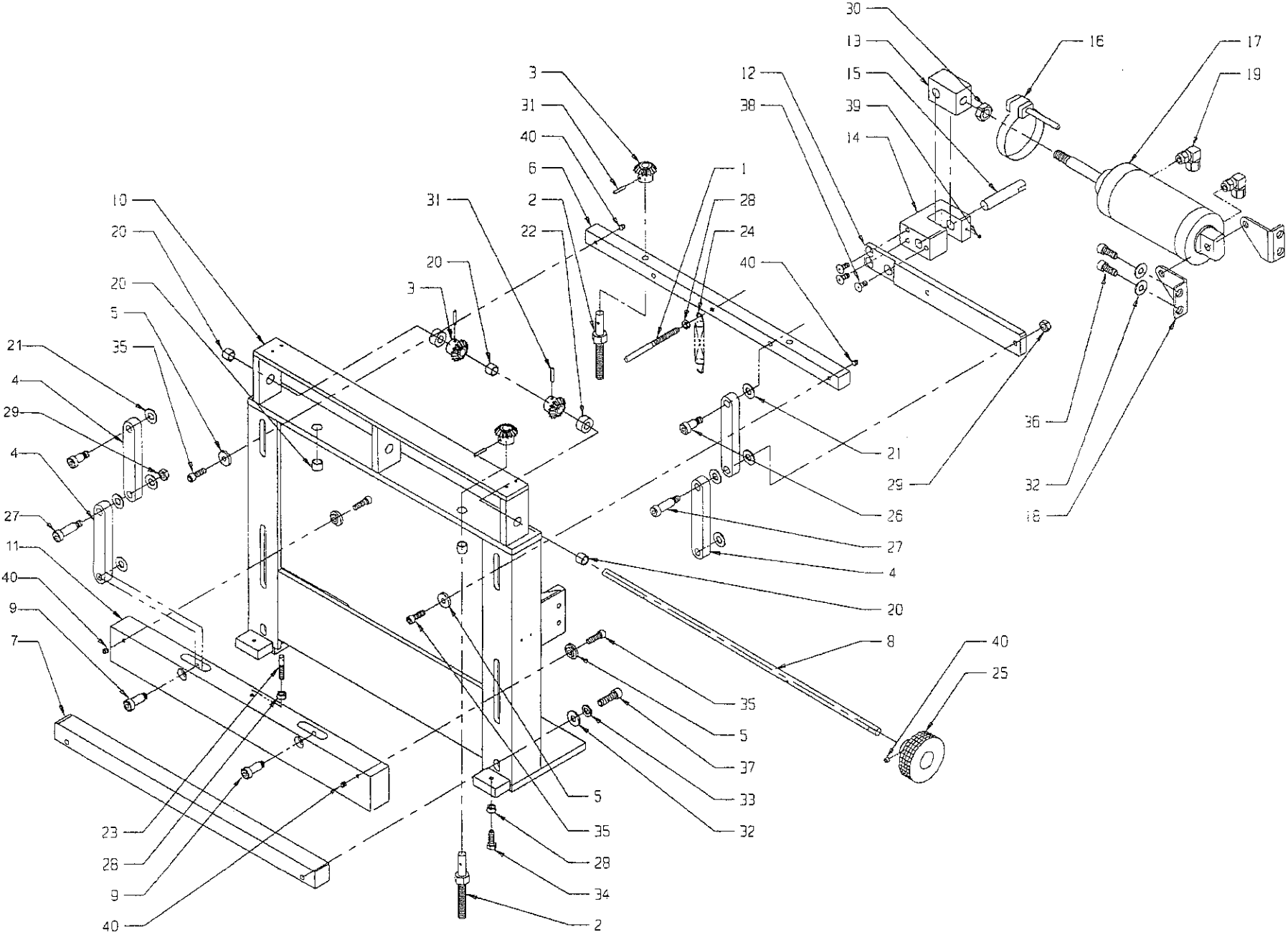


Figure 5 - Parts List

| ITEM NO. | GBC/SICKENGER P/N | DESCRIPTION | QTY. REQ'D. |
|----------|-------------------|------------------------------|-------------|
| 1 | 0110007500 | Shaft Point | 1 |
| 2 | 0425090200 | Screw - Adj. | 2 |
| 3 | 0425091400 | Gear - Miter - Mod. | 4 |
| 4 | 0460090600 | Link - Pivot | 4 |
| 5 | 0425091700 | Bushing - Guide | 4 |
| 6 | 0460090700 | Slide | 1 |
| 7 | 0460091800 | Base - Closing | 1 |
| 8 | 0460091300 | Shaft - Gear | 1 |
| 9 | 0425092700 | Shldr Screw - MOD. | 2 |
| 10 | 0460090100 | Frame Ass'y | 1 |
| 11 | 0460091900 | Ram - Closing | 1 |
| 12 | 0460091000 | Cross Piece | 1 |
| 13 | 0460091100 | Clevis - Male | 1 |
| 14 | 0460091200 | Clevis - Female | 1 |
| 15 | 0426093200 | Pin - Pivot | 1 |
| 16 | 0482019100 | Reed Switch | 1 |
| 17 | 0482019200 | Air Cyl. 2.58 X 25 | 1 |
| 18 | 0482019300 | Pivot Mt. W/ Pin | 1 |
| 19 | 0482040100 | Elbow Male 1/4 NP 1 | 2 |
| 20 | 0485028900 | Bronze Bushing | 5 |
| 21 | 0750196700 | Bronze Washer | 8 |
| 22 | 0750001000 | Clamp Collar | 2 |
| 23 | 0750019700 | Sp Anchor 1/4-20 | 1 |
| 24 | 0750029000 | Spring - Extension | 1 |
| 25 | 7610112 | Hand Wheel | 1 |
| 26 | 0750238300 | Shldr Screw 3/8" Dia X 1/2" | 2 |
| 27 | 0750239300 | Shldr Screw 3/8" Dia X 1" | 2 |
| 28 | 0750304500 | Nut Hex Jam 1/4" - 20 | 4 |
| 29 | 0750307000 | Nut Hex Jam 5/16" - 18 | 2 |
| 30 | 0750315000 | Nut Hex Jam 1/2 - 20 Thd. | 1 |
| 31 | 0750362000 | Roll Pin 1/8 Dia X 3/4" | 4 |
| 32 | 0750412300 | Washer - Flat 5/16 I.D. | 6 |
| 33 | 0750413000 | Washer - Lock 5/16 I.D. | 2 |
| 34 | 0750511000 | HHCS 1/4 - 20 X 1/4" | 2 |
| 35 | 0750722100 | SHCS 1/4 - 20 X 1" S.S. | 4 |
| 36 | 0750728600 | SHCS 5/16 - 18 X 1/2" S.S. | 4 |
| 37 | 0750729600 | SHCS 5/16 - 18 X 1 1/4" S.S. | 2 |
| 38 | 0750864400 | FHCS 1/4 - 20 X 5/8" S.S. | 3 |
| 39 | 0751027000 | SSS 1/4 - 20 X 3/8" | 1 |
| 40 | 0751024000 | SSS 1/4 - 20 X 1/4" | 5 |

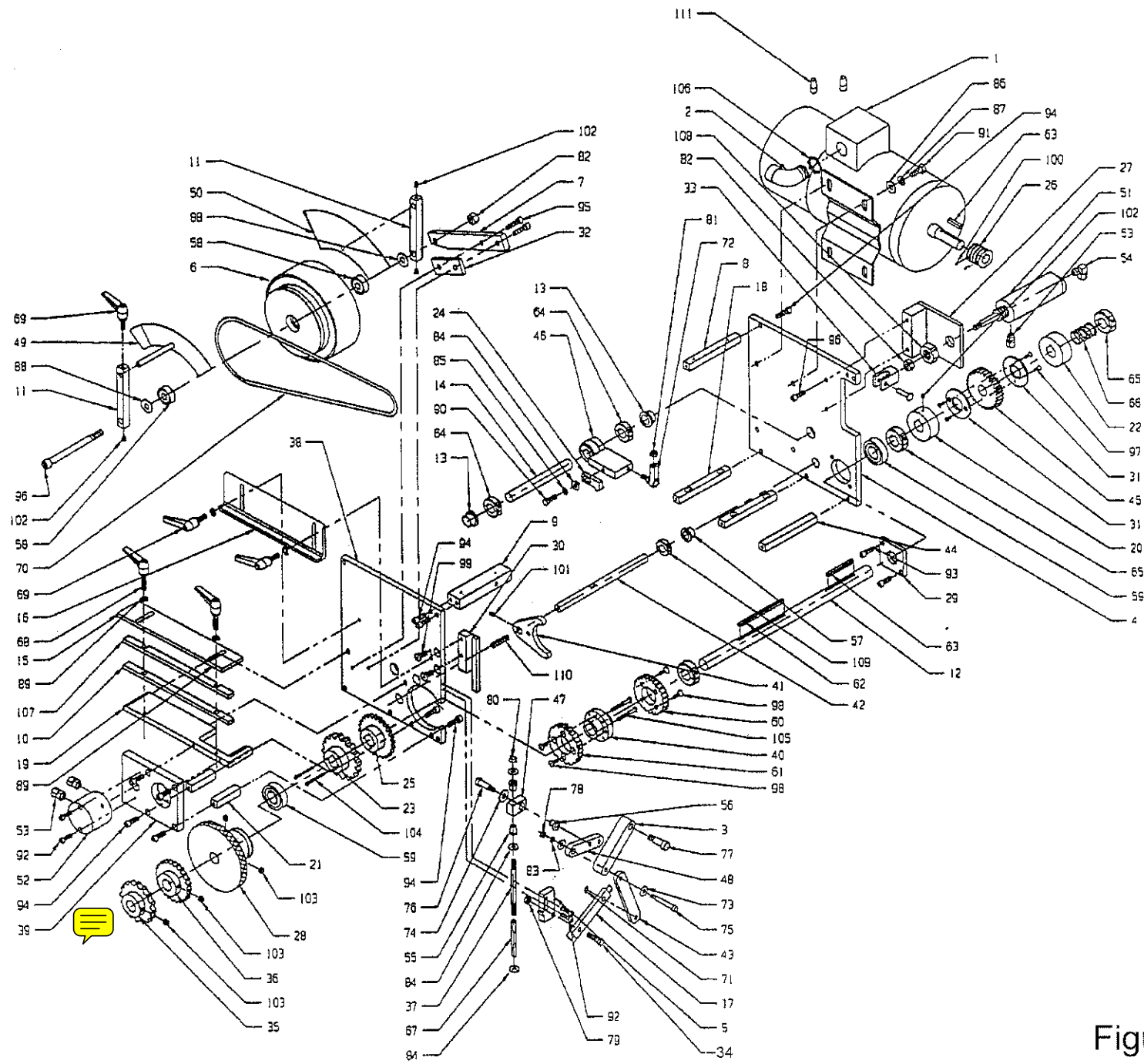


Figure - 6

Figure 6 - Parts List

| ITEM NO. | GBC/SICKINGER P/N | DESCRIPTION | QTY. REQ'D. |
|----------|-------------------|---------------------------|-------------|
| 1 | 0220000600 | Motor - 1/4 HP | 1 |
| 2 | 0220133000 | Connector - Strain Relief | 1 |
| 3 | 0425080200 | Link - Upper | 1 |
| 4 | 0425080400 | Side Plate - Rear | 1 |
| 5 | 0425080700 | Back-up Knife | 1 |
| 6 | 0425080800 | Wheel - Feed | 1 |
| 7 | 0425081000 | Arm - Wheel | 1 |
| 8 | 0425081100 | Tie Bar | 1 |
| 9 | 0425081200 | Support Bar - Top | 1 |
| 10 | 0425081300 | Spacer | 1 |
| 11 | 0425081500 | Support - Element Guide | 2 |
| 12 | 0460081600 | Shaft - Worm Gear | 1 |
| 13 | 0425082100 | Bushing - Modify | 2 |
| 14 | 0425082200 | Shaft - Stop | 1 |
| 15 | 0425082400 | Element Guide - Lower | 1 |
| 16 | 0425082600 | Element Guide - Upper | 1 |
| 17 | 0425082800 | Knife Blade | 1 |
| 18 | 0425083100 | Tie Bar - Slotted | 2 |
| 19 | 0425083200 | Guide | 1 |
| 20 | 0425083300 | Collar - Worm Gear - L/H | 1 |
| 21 | 0425083400 | Spacer | 2 |
| 22 | 0425083500 | Collar - Worm Gear - R/H | 1 |
| 23 | 0426083700 | Feed Gear - 2:1 | 1 |
| 24 | 0425084100 | Stop Dog | 1 |
| 25 | 0425084300 | Feed Gear - 3:1 | 1 |
| 26 | 0425084400 | Worm - Modify | 1 |
| 27 | 0425084500 | Mount - Cylinder | 1 |
| 28 | 0460084700 | Wheel - Pulley | 1 |
| 29 | 0425085000 | Retainer - Bearing | 1 |
| 30 | 0425085100 | Guide - Back-up | 1 |
| 31 | 0425085200 | Clutch Pad | 2 |
| 32 | 0425085300 | Spacer - Arm | 1 |
| 33 | 0425085400 | Clevis - Modify | 1 |
| 34 | 0425085700 | Screw - Pivot | 1 |
| 35 | 0425085800 | Gear - Count - 2:1 | 1 |
| 36 | 0425085900 | Gear - Count - 3:1 | 1 |
| 37 | 0426080300 | Rod - Connecting | 1 |
| 38 | 0426080900 | Side Plate - Front | 1 |
| 39 | 0426081400 | Support - Bearing | 1 |
| 40 | 0426081700 | Hub - Stop Gears | 1 |
| 41 | 0426081800 | Fork - Shifter | 1 |
| 42 | 0426081900 | Shaft - Cylinder | 1 |
| 43 | 0426082700 | Link - Lower | 1 |
| 44 | 0426083000 | Tie Bar | 1 |
| 45 | 0425083600 | Worm Gear - Modify | 1 |
| 46 | 0426084000 | Mount - Stop Dog | 1 |
| 47 | 0426084200 | Actuator Block | 1 |

| ITEM NO. | GBC/SICKINGER P/N | DESCRIPTION | QTY. REQ'D. |
|----------|-------------------|----------------------------|-------------|
| 48 | 0426084900 | Link - Cylinder | 1 |
| 49 | 0480116700 | Guide - Element - L/H | 1 |
| 50 | 0480116800 | Guide - Element - R/H | 1 |
| 51 | 0482018100 | Cylinder - Air 1 1/2 Bore | 1 |
| 52 | 0482021500 | Cylinder - Air 1 1/8 Bore | 1 |
| 53 | 0482034500 | Male Connector - Pushlock | 3 |
| 54 | 0482039500 | Elbow - Male | 1 |
| 55 | 0485010000 | Bushing - Bronze 1/4 ID | 2 |
| 56 | 0485012000 | Bushing - Bronze 5/16 ID | 1 |
| 57 | 0485014000 | Bushing - Bronze 1/2 ID | 1 |
| 58 | 0485057000 | Bearing - Ball 3/8 ID | 2 |
| 59 | 0485060000 | Bearing - Ball 3/4 ID | 2 |
| 60 | 0487055000 | Gear - 3:1 | 1 |
| 61 | 0487056000 | Gear - 2:1 | 1 |
| 62 | 0512150100 | Key - 3/16 | 1 |
| 63 | 0512150400 | Key - 3/16 | 2 |
| 64 | 0750002400 | Collar - Clamp 5/8 ID | 2 |
| 65 | 0750002500 | Collar - Clamp 3/4 ID | 2 |
| 66 | 0750029200 | Spring - Compression | 1 |
| 67 | 0750030600 | Spring - Compression | 1 |
| 68 | 0750089200 | Handle - Adjustable | 2 |
| 69 | 0750089800 | Handle - Adjustable | 3 |
| 70 | 0750119000 | O-Ring Drive Belt | 1 |
| 71 | 0750121200 | Snap Ring | 1 |
| 72 | 0750170000 | Rod End | 1 |
| 73 | 0750194200 | Thrust Washer | 2 |
| 74 | 0750194500 | Thrust Washer | 2 |
| 75 | 0750232000 | Shoulder Screw - 1/4 Dia. | 1 |
| 76 | 0750234000 | Shoulder Screw - 5/16 Dia. | 1 |
| 77 | 0750238500 | Shoulder Screw - 3/8 Dia. | 1 |
| 78 | 0750301500 | Hex. Nut - 10-24 | 1 |
| 79 | 0750304000 | Hex. Nut - 1/4-20 | 1 |
| 80 | 0750304700 | Locknut - 1/4-20 | 1 |
| 81 | 0750305500 | Hex. Nut - 1/4-28 | 1 |
| 82 | 0750309500 | Hex. Jam Nut - 3/8-16 | 2 |
| 83 | 0750406000 | Lock Washer - #10 | 1 |
| 84 | 0750409000 | Flat Washer - 1/4 | 4 |
| 85 | 0750410500 | Lock Washer - 1/4 | 1 |
| 86 | 0750412300 | Flat Washer - 5/16 | 4 |
| 87 | 0750413000 | Lock Washer - 5/16 | 4 |
| 88 | 0750415000 | Washer | 2 |
| 89 | 0750454000 | Flat Washer - M6 | 4 |
| 90 | 0750506100 | HHCS - 1/4-20 x 3/4 | 1 |
| 91 | 0750522100 | HHCS - 5/16-18 x 3/4 | 4 |
| 92 | 0750714600 | SHCS - 10-24 x 3/4 | 4 |
| 93 | 0750719600 | SHCS - 1/4-20 x 5/8 | 2 |
| 94 | 0750720100 | SHCS - 1/4-20 x 3/4 | 22 |

| ITEM NO. | GBC/SICKINGER P/N | DESCRIPTION | QTY. REQ'D |
|----------|-------------------|---------------------------------|------------|
| 95 | 0750722100 | SHCS - 1/4-20 x 1 | 2 |
| 96 | 0750739600 | SHCS - 3/8-16 x 4 1/2 | 1 |
| 97 | 0750856300 | FHCS - 6-32 x 3/8 | 4 |
| 98 | 0750861900 | FHCS - 10-24 x 3/4 | 8 |
| 99 | 0750864600 | FHCS - 1/4-20 x 3/4 | 2 |
| 100 | 0751013000 | Set Screw - 8-32 x 3/16 | 2 |
| 101 | 0751018000 | Set Screw - 10-24 x 1/4 | 1 |
| 102 | 0751403000 | Set Screw - 1/4-20 x 1/4 | 3 |
| 103 | 0751405500 | Set Screw - 5/16-18 x 1/4 | 3 |
| 104 | 0753393200 | Round Head Screw - 6-32 x 1 1/4 | 2 |
| 105 | 0753393300 | Round Head Screw - 6-32 x 1 1/2 | 2 |
| 106 | 0220193000 | Conduit Locknut | 1 |
| 107 | 0426081300 | Spacer - Slotted | 1 |
| 108 | 0482020200 | Nut - Air Cylinder | 1 |
| 109 | 0750002200 | Collar - 1/2 ID 2-pc | 1 |
| 110 | 0751038500 | Set Screw - 5/16-24 x 1 1/4 | 1 |
| 111 | 0220215500 | Wire Nut | 2 |

Figure - 7

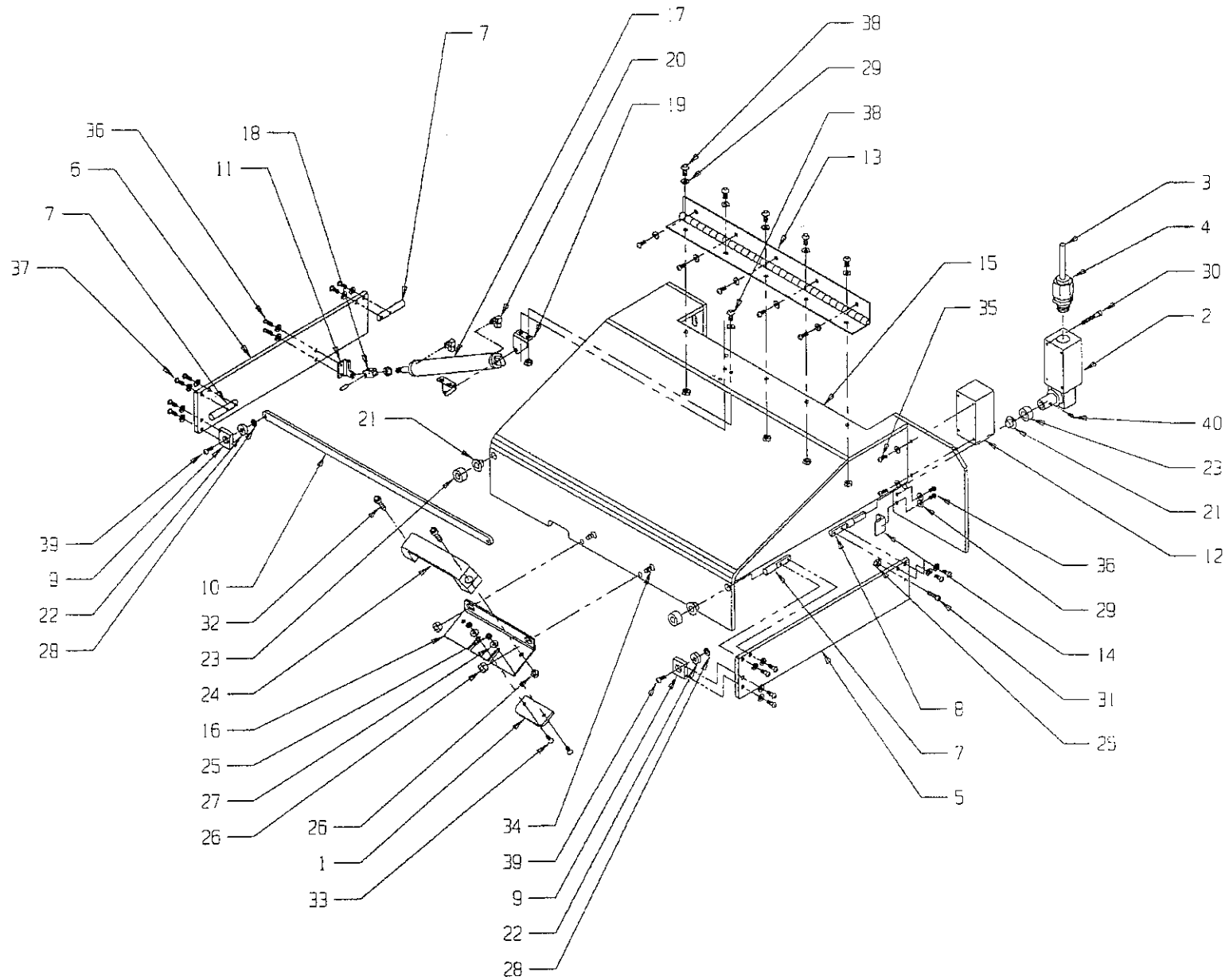


Figure 7 - Parts List

| ITEM NO. | GBC/SICKINGER P/N | DESCRIPTION | QTY. REQ'D. |
|----------|-------------------|------------------------------|-------------|
| 1 | 0220017900 | Actuator | 1 |
| 2 | 0220018200 | Safety Limit Switch | 1 |
| 3 | 0220109500 | Cable - Gray | 1 |
| 4 | 0220133500 | Strain Relief | 1 |
| 5 | 0460030200 | Safety Gate - R/H | 1 |
| 6 | 0460030300 | Safety Gate - L/H | 1 |
| 7 | 0460030400 | Axle - Short | 1 |
| 8 | 0460030500 | Axle - Long | 1 |
| 9 | 0460030700 | Bearing Block | 1 |
| 10 | 0460030800 | Connecting Rod | 1 |
| 11 | 0460030900 | Clevis - Gate | 1 |
| 12 | 0460031000 | Spacer - Limit Switch | 1 |
| 13 | 0460031100 | Hinge - Guard | 1 |
| 14 | 0460031200 | Stop - Gate | 1 |
| 15 | 0460031400 | Safety Guard | 1 |
| 16 | 0460031500 | Bracket - Handle | 2 |
| 17 | 0482021700 | Air Cylinder - 9/16 B x 3" S | 1 |
| 18 | 0482021800 | Rod Clevis | 1 |
| 19 | 0482021900 | Pivot Bracket | 2 |
| 20 | 0482046100 | Male Elbow | 1 |
| 21 | 0485075100 | Bearing - Nylon 3/8 ID | 4 |
| 22 | 0485086700 | Ball Bearing - 1/4 ID | 1 |
| 23 | 0750001000 | Collar - Clamplite 3/8 ID | 2 |
| 24 | 0750086700 | Pull Handle | 1 |
| 25 | 0750303700 | Locknut - 10-32 | 10 |
| 26 | 0750304500 | Hex Jam Nut - 1/4-20 | 4 |
| 27 | 0750405300 | Washer | 4 |
| 28 | 0750411000 | Washer - Lock 1/4 | 2 |
| 29 | 0750431500 | Washer - Nylon #10 | 30 |
| 30 | 0750715800 | SHCS - #10-24 x 1 1/2 | 2 |
| 31 | 0750717100 | SHCS - #10-32 x 3/4 | 1 |
| 32 | 0750728100 | SHCS - 5/16-18 x 1/2 | 2 |
| 33 | 0750862500 | FHCS - #10-32 x 1/2 | 2 |
| 34 | 0750862700 | FHCS - #10-32 x 5/8 | 2 |
| 35 | 0750935300 | BHCS - #10-24 x 1/2 | 4 |
| 36 | 0750937200 | BHCS - #10-32 x 3/8 | 4 |
| 37 | 0750937400 | BHCS - #10-32 x 1/2 | 12 |
| 38 | 0750938100 | BHCS - #10-32 x 5/8 | 9 |
| 39 | 0750941000 | BHCS - 1/4-20 x 1/2 | 2 |
| 40 | 0751020000 | Set Screw - #10-32 x 3/16 | 1 |

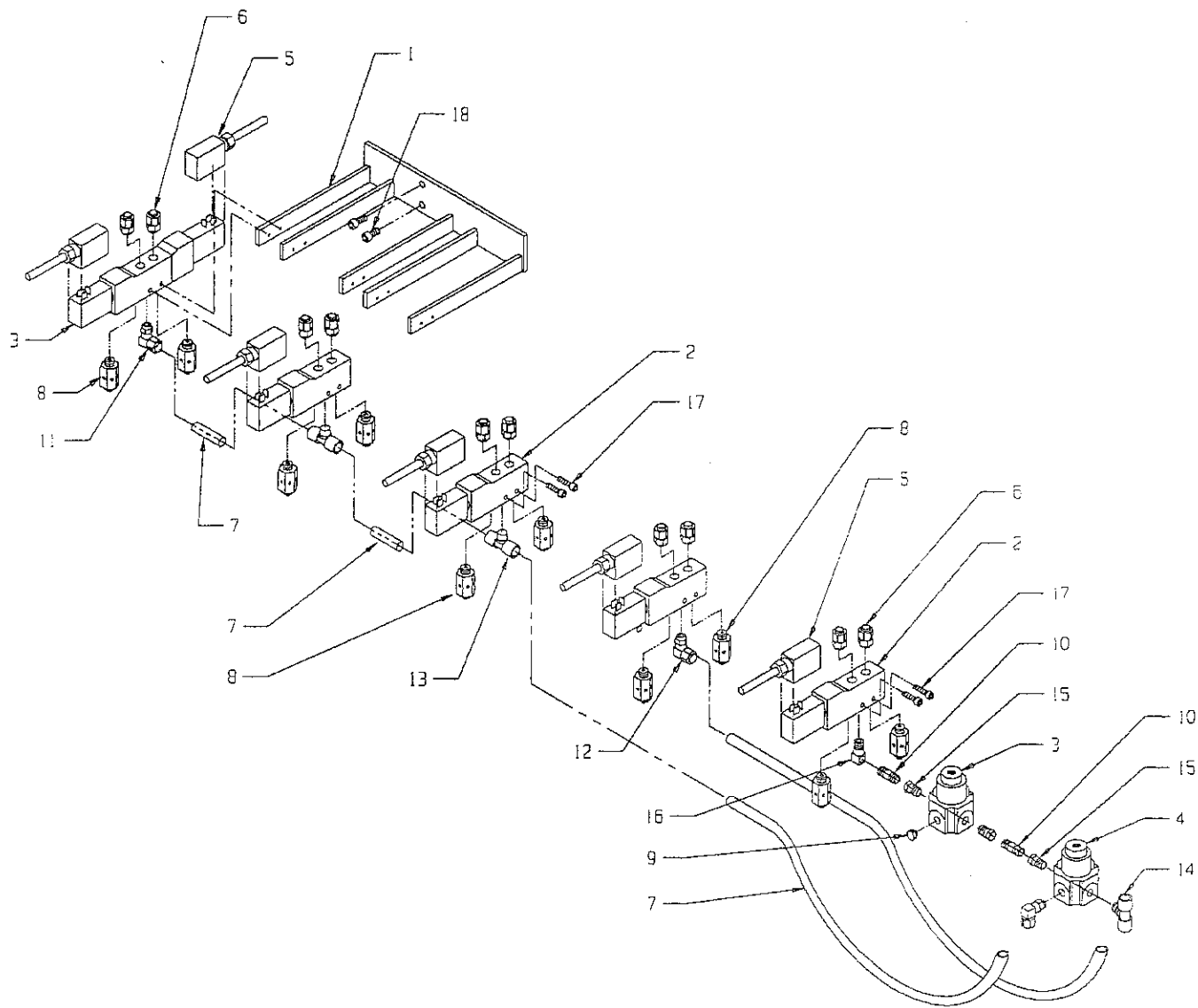


Figure - 8

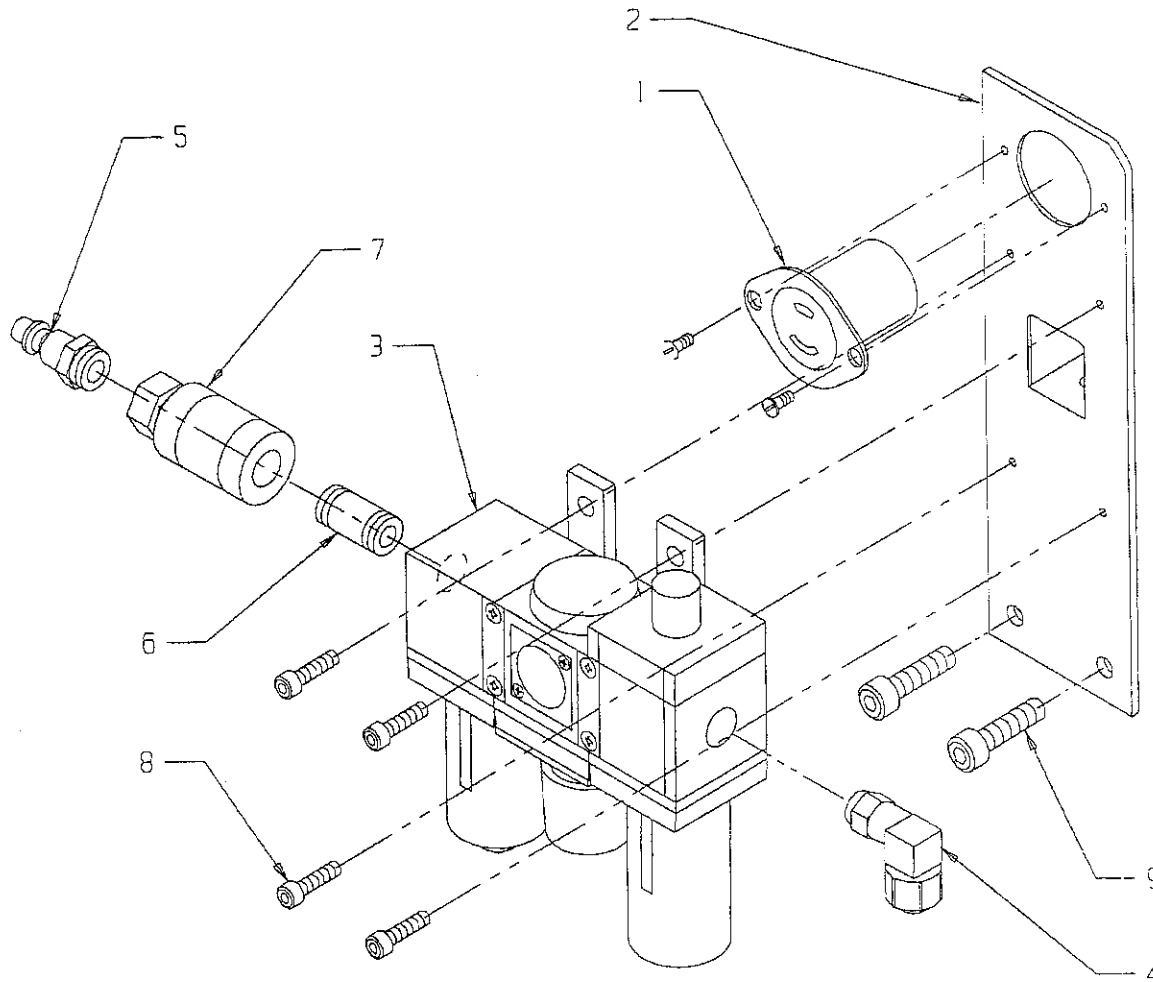
Figure 8 - Parts List

| ITEM NO. | GBC/SICKINGER P/N | DESCRIPTION | QTY. REQ'D. |
|----------|-------------------|--------------------------------|-------------|
| 1 | 0460035100 | Bracket - Air Valve | 1 |
| 2 | 0482006300 | Valve - Air | 4 |
| 3 | 0482006400 | Valve - Air - Double Solenoid | 1 |
| 4 | 0482009800 | Regulator | 2 |
| 5 | 0482017800 | Connector with 9 ft Lead | 6 |
| 6 | 0482034500 | Male Connector | 10 |
| 7 | 0482035000 | Polytube - 1/4 | 12 in. |
| 8 | 0482036700 | Muffler with Speed Control | 10 |
| 9 | 0482038000 | Pipe Plug | 1 |
| 10 | 0482038700 | Close Nipple - 1/8 NPT | 2 |
| 11 | 0482039500 | Elbow - Male | 1 |
| 12 | 0482039600 | Elbow - Male - Swivel | 1 |
| 13 | 0482043700 | Male Tee | 2 |
| 14 | 0482044500 | Male Tee | 1 |
| 15 | 0482051200 | Reducer Bushing | 3 |
| 16 | 0482052200 | Elbow - Fitting | 1 |
| 17 | 0750708000 | SHCS - 6-32 x 1 | 10 |
| 18 | 0750718100 | SHCS - 1/4-20 x 1/2 | 2 |
| * | 040035000 | Air Valve Assy- Prior 8/28/00 | |
| * | 0460035300 | Air Valve Assy - as of 8/28/00 | |

Figure 9 Parts List

| ITEM NO. | GBC/SICKINGER P/N | DESCRIPTION | QTY. REQ'D. |
|----------|-------------------|-----------------------------|-------------|
| 1 | 0462050200 | Din Rail - Modify 17.35 | 1 |
| 2 | 0462050300 | Din Rail - Modify 7.5 | 1 |
| 3 | 0460050200 | Din Rail - Modify | 1 |
| 4 | 0120014000 | Din Rail - Modify 5" | 1 |
| 5 | 0462050400 | Sub Panel | 1 |
| 6 | 0220042500 | Thermal Overload - .9A | 2 |
| 7 | 0220042000 | Thermal Overload - 2.1A | 2 |
| 8 | 0220154700 | Contractor - 3 HP | 4 |
| 9 | 0220158000 | Terminal Block | 46 |
| 10 | 1722806 | PLC Controller - Programmed | 1 |
| 11 | 0220090300 | Transformer | 1 |
| 12 | X | Fuse Block | 6 |
| 13 | X | Fuse | 6 |
| 14 | 0220158200 | End Anchor | 5 |
| 15 | X | Disconnect | 1 |
| 16 | 0220158300 | Grounding Block | 9 |
| 17 | 0220162000 | Grounding Lug | 6 |
| 18 | 0220158500 | Jumper | 1 |
| 19 | 0220158400 | Number Kit - 1-50 | 1 |
| 20 | 0480011500 | Legend Plate - 1-CR | 1 |
| 21 | 0480012000 | Legend Plate - 2-CR | 1 |
| 22 | 0480012500 | Legend Plate - 3-CR | 1 |
| 23 | 0480013000 | Legend Plate - 4-CR | 1 |
| 24 | 0220157900 | Partition Plate | 1 |
| 25 | X | Filter | 1 |
| 26 | X | Safety Monitor | 2 |
| 27 | X | Relay - Positive Guided | 1 |
| 28 | 0220270200 | Circuit Breaker | 1 |
| 29 | X | Legend Plate - 5-CR | 1 |
| 30 | X | Ground Label | 6 |
| 31 | X | Legend - HEATER 1 | 1 |
| 32 | X | Legend - HEATER 2 | 1 |
| 33 | X | Legend - HEATER 3 | 1 |
| 34 | X | Legend - HEATER 4 | 1 |
| 35 | X | Legend - SAFETY MONITOR 1 | 1 |
| 36 | X | Legend - SAFETY MONITOR 2 | 1 |

Figure 10

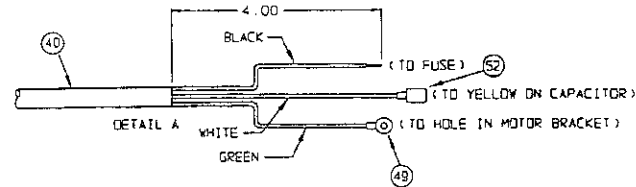
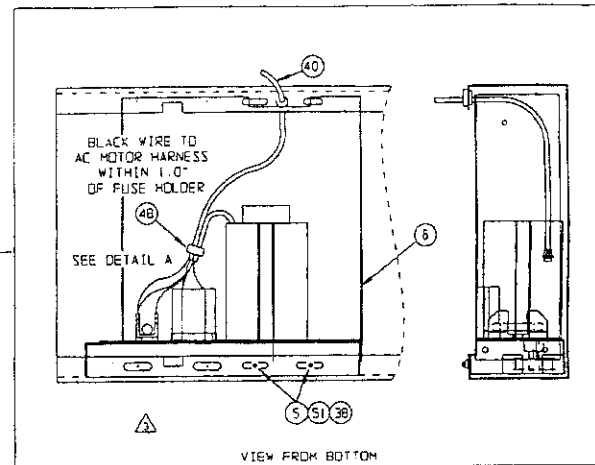
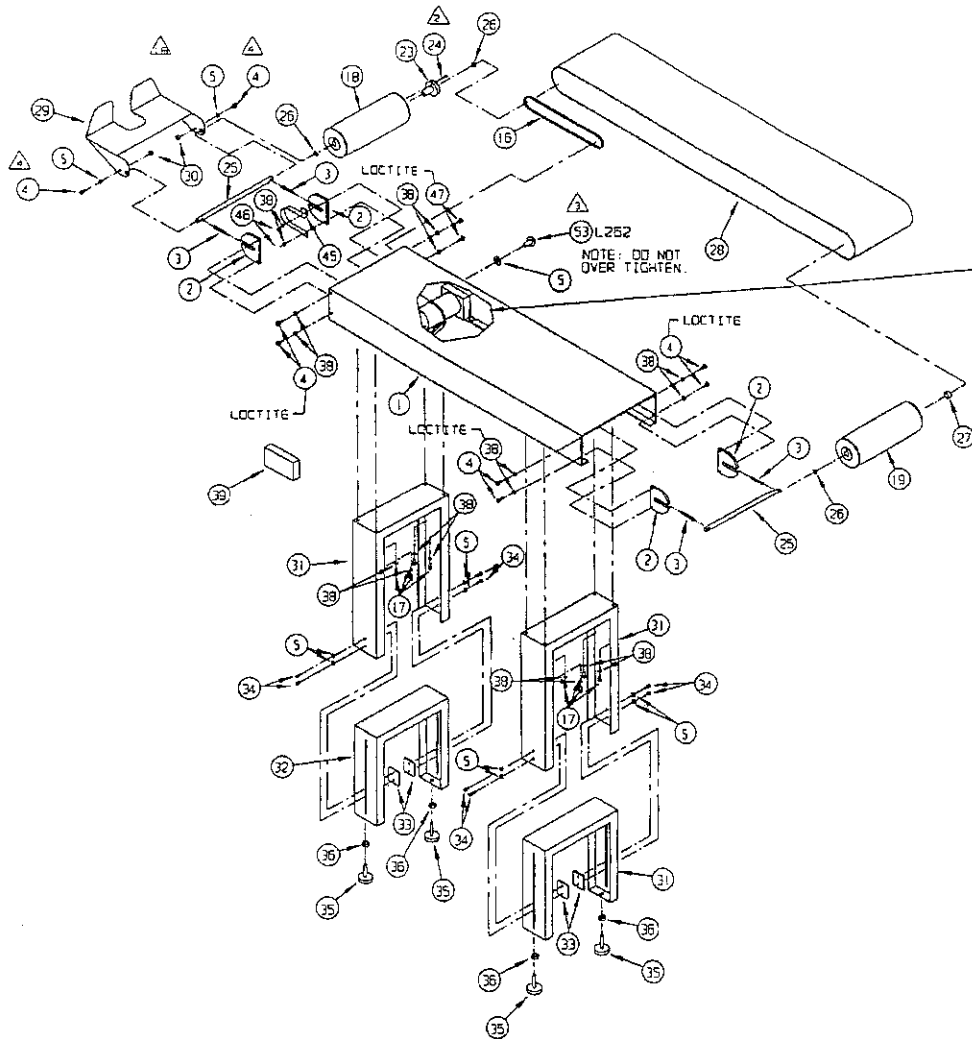


0482010300 - New Style Filter Regulator

1961534 - Air Tool Oil (Mobil ALMO 525 Air Tool Oil)

Figure 10 - Parts List

| ITEM NO. | GBC/SICKINGER P/N | DESCRIPTION | QTY. REQ'D. |
|----------|-------------------|------------------------|-------------|
| 1 | 0220202400 | Receptacle -Flanged | 1 |
| 2 | 0460040100 | Bracket - FRL | 1 |
| 3 | 0482010400 | Filter Regulator | 1 |
| 4 | 0482040000 | Elbow - Male | 1 |
| 5 | 0482044700 | Male Connector | 1 |
| 6 | 0482039000 | Close Nipple - 1/4 NPT | 1 |
| 7 | 0482010600 | Valve - Shut Off | 1 |
| 8 | 0750714100 | SHCS #10-24 x 1/2 | 4 |
| 9 | 0750718900 | SHCS - 1/4-20 x 1/2 | 2 |



| 4 | CORRECTIONS TO DRAWING AND MATERIAL LIST | 07/24/97 | RJT | 2445 |
|-----|--|----------|-----|------|
| 3 | MANY CHANGES | 04/23/97 | RJT | 2342 |
| 2 | REMOVED DTD #22, IT BECAME PART OF DTD #23 | 04/09/97 | RJT | 2341 |
| 1R | REMOVED DTD # 44, 43 AND 42 | 08/07/96 | RJT | 1830 |
| 1A | GROUND WIRE ROUTING CHANGED | 08/07/96 | RJT | 1830 |
| 0 | ORIGINAL DESIGN | 06/17/96 | RJT | |
| REV | DESCRIPTION | DATE | BY | CHK |

TOLERANCES:
 4 PLACE DEC : .0005
 3 PLACE DEC : .005
 2 PLACE DEC : .015
 FRACTIONAL : 1/32
 ANGULAR : 1/2°
 MACH. FIN : 63 V
 BREAK SHARP : 010
 EDGES : HAX

asterisk®
 Old Saybrook, CT 06475

CONVEYOR

THIS DRAWING AND THE INFORMATION ON IT ARE THE PROPERTY OF ASTERISK, INC AND ARE TO REMAIN CONFIDENTIAL

MAT'L NO.
 MAT'L DESC
 DESG BY CMC | SCALE 1:16 | 8 | CNA004AD

OUTPUT CONVEYOR, AC MOTOR 4 FOOT BED PARTS LIST

| PART # | DESCRIPTION | FIND NUMBER | UNIT OF MEASURE |
|---------------|---|--------------------|------------------------|
| 0460012600 | CONVEYOR BED AC 4' | 01 | 1.00 EACH |
| 0460012700 | SHAFT BRACKET | 02 | 4.00 EACH |
| 0750723500 | SHCS ¼-20 X1- 3/4 | 03 | 4.00 EACH |
| 0750941100 | BHSCS ¼ - 20X1/2 | 04 | 8.00 EACH |
| 0750409100 | FLAT WASHER ¼ | 05 | 11.00 EACH |
| 0460012800 | MOTOR ASSY. AC 120V | 06 | 1.00 EACH |
| 0750161100 | TIMING BELT | 16 | 1.00 EACH |
| 0750718600 | SHCS ¼ 20 X3/8 | 17 | 8.00 EACH |
| 0460012900 | DRIVE PULLEY | 18 | 1.00 EACH |
| 0460013000 | IDLER PULLEY | 19 | 1.00 EACH |
| 0460013100 | DRIVEN PULLEY | 23 | 1.00 EACH |
| 0750367600 | COILED SPRING PIN | 24 | 1.00 EACH |
| 0460013200 | PULLEY SHAFT | 25 | 2.00 EACH |
| 0750423800 | NYLON FLAT WASHER, NARROW RIM 5/8 ID | 26 | 3.00 EACH |
| 0460013300 | SPACER | 27 | 1.00 EACH |
| 6BC11115 | CONVEYOR BELT | 28 | 1.00 EACH |
| 0460013400 | ENDSTOP | 29 | 1.00 EACH |
| 0460013500 | STOP ADJUST CAM | 30 | 2.00 EACH |
| 0460013600 | LEG | 31 | 2.00 EACH |
| 0460013700 | LEG EXTENSION | 32 | 2.00 EACH |
| 0460013800 | NUT PLATE | 33 | 4.00 EACH |
| 0750501000 | HHCS ¼ -20 X1/2 | 34 | 8.00 EACH |
| 0750182000 | LEVELING GUIDE | 35 | 4.00 EACH |
| 0750309500 | HEX JAM NUT 3/8-16 | 36 | 4.00 EACH |
| 0750410500 | SPRING LOCK WASHER ¼ " | 38 | 12.00 EACH |

| | | | |
|------------|--|----|-----------|
| 0750140200 | OUTPUT CONVEYOR MAGNET | 39 | 1.00 EACH |
| 0220109600 | POWER SUPPLY CORD W/PLUG | 40 | 1.00 EACH |
| 0220131200 | STRAIGHT- THRU STRAIN RELEIF BUSHING | 41 | 1.00 EACH |
| 0460013900 | GUARD | 45 | 1.00 EACH |
| 0750304000 | HEX NUT ¼ -20 | 46 | 2.00 EACH |
| 0750942400 | BHCS ¼-20X7/8 | 47 | 2.00 EACH |
| 0220210000 | CABLE TIE | 48 | 3.00 EACH |
| 0220179200 | RING TERMINAL | 49 | 1.00 EACH |
| 0750718900 | SHCS ¼-20X1/2 | 51 | 2.00 EACH |
| 0220196700 | FEMALE QUICK CONNECT | 52 | 1.00 EACH |
| 0750339900 | PHPMS ¼-20X2 | 53 | 1.00 EACH |

Rich Pooler - (877) - 394 - 1996 @ skytel.com

From Plug - Black to Fuse
- White to Cap

From Motor - Blue & Black to other end of fuse
- Yellow W / What on Cap
Red other Cap Term

| PART # | DESCRIPTION | FIND NUMBER | UNIT OF MEASURE |
|------------|---------------------------------|-------------|-----------------|
| 0460014100 | AC MOTOR BRACKET | 01 | 1 EACH |
| 0220003900 | AC GEARMOTOR | 02 | 1 EACH |
| 0750718600 | SHCS ¼ 20X 3/8 | 03 | 4 EACH |
| 0220149600 | FUSE BLOCK | 04 | 1EACH |
| 0220140200 | TIME DELAY FUSE 8/10 AMP | 05 | 1 EACH |
| 0220008900 | CAPACITOR | 06 | 1 EACH |
| 0220010100 | CAPACITOR MOUNTING KIT | 07 | 1 EACH |
| 0220210000 | CABLE TIE | 08 | 1 EACH |
| 0220188500 | SCREW MOUNT CABLE TIE | 09 | 1 EACH |
| 0220196600 | FEMALE QUICK CONNECT, INSULATED | 10 | 2 EACH |
| 0460014200 | MOTOR GUARD | 11 | 1 EACH |
| 0177126900 | GREEN GROUNDING CABLE ASSEMBLY | 12 | 1 EACH |
| 0750410500 | SPRING LOCK WASHER 1/4 | 13 | 4 EACH |
| 0750403500 | FLAT WASHER # 8 | 14 | 1 EACH |
| 0750716900 | SHCS10-32X5/8 | 15 | 4 EACH |
| 0750405500 | FLAT WASHER #10 | 16 | 2 EACH |
| 0750716300 | SHCS 10-32 X ½ | 17 | 1 EACH |
| 0750716900 | SHCS 10-32 X3/8 | 18 | 1 EACH |
| 0750937200 | BHCS 10-32 X 3/8 | 20 | 2 EACH |
| 0460014000 | DRIVE PULLEY , AC MOTOR | 21 | 1 EACH |
| 0751401300 | NYLON PATCH SET SCREW 8-32 X3/8 | 22 | 1 EACH |
| 0750406000 | SPRING LOCK WASHER #10 | 23 | 6 EACH |
| 0750710700 | SHCS 8-32 X 5/16 | 24 | 1 EACH |
| 0480000200 | GROUND LABEL | 25 | 1 EACH |
| 0460014300 | END CAP | 26 | 2 EACH |