



SB2000

Parts List



GBC IS AN ACCO BRANDS COMPANY

8.0 PARTS LIST

All parts in each illustration are keyed with an index number for reference to the respective part number and name in the respective parts list.

When ordering parts always include the following information:

1. Machine Model Number
2. Machine Serial Number
3. Part Number
4. Part Name
5. Quantity Required

NOTE: The Northbrook Service Parts Department does not stock all hardware; to avoid delays all standard hardware shown in this Parts List should be procured locally whenever possible.

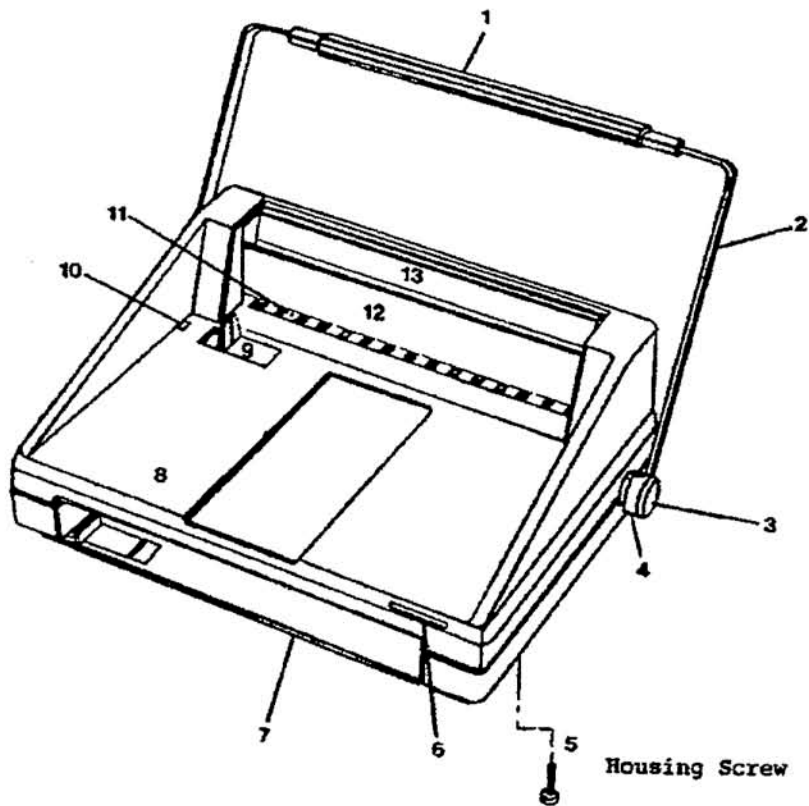


FIGURE 8.1

ITEM NUMBER	PART NUMBER	DESCRIPTION
1	9777277	HANDLE ASSY (INCLUDES 1 & 2)
2	9777277	HANDLE ASSY (INCLUDES 1 & 2)
3	9776830	HANDLE CAP
4	9776798	DRIVE COUPLING
5	1300348	SCREW, PH PN HD, #8 X 7/8"
6	9777439	NAMEPLATE
7	9779420	WASTE TRAY
8	9778389	HOUSING
9	9778411	BIND GUIDE
10	9778433	LENS INDICATOR LIGHT
11	1300345	LOCATING PIN
12	9777440	TURRET ASSY
13	1300304	PRESSURE BAR
14*	9776972	KNURLED PIN
15*	9778772	FELT PAD
16*	9777448	GBC LOGO

* NOT SHOWN

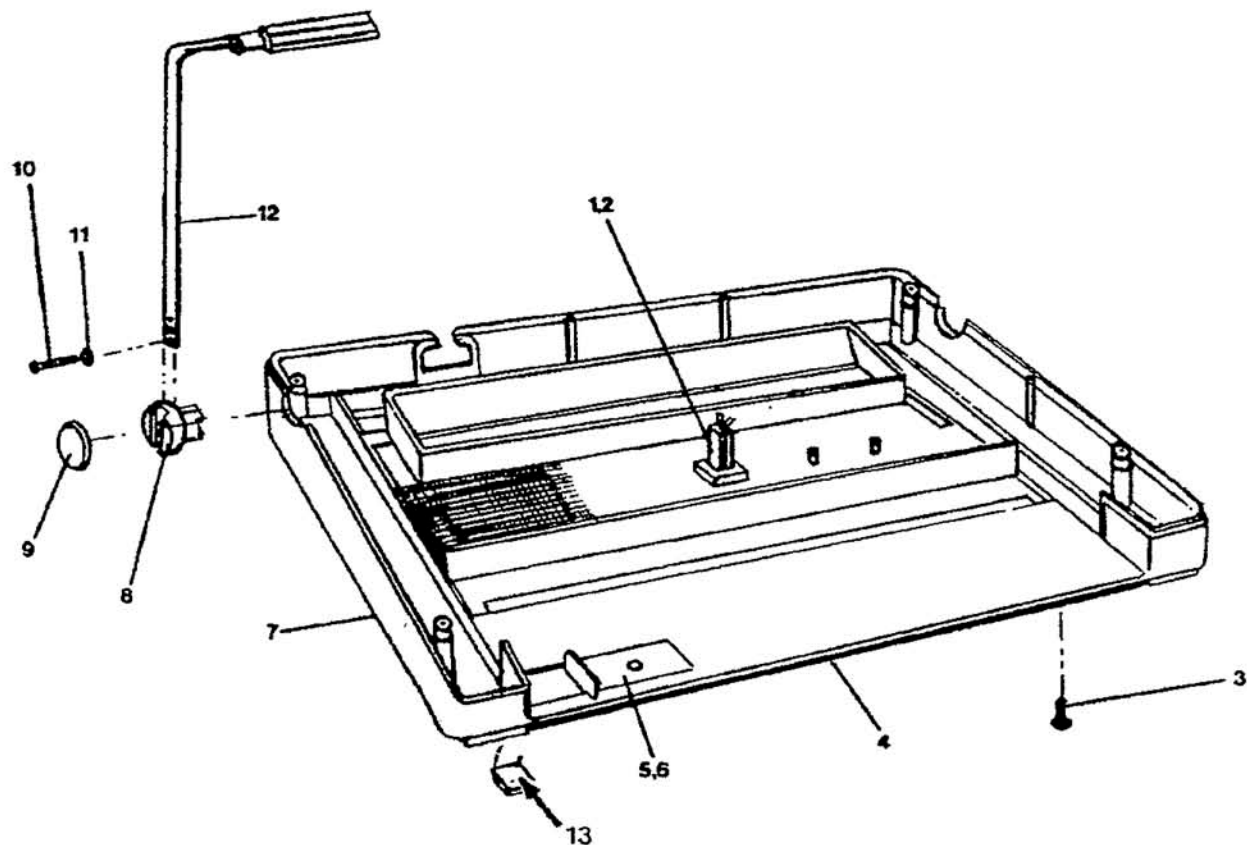


FIGURE 8.2

ITEM NUMBER	PART NUMBER	DESCRIPTION
1	9777399	FUSE HOLDER
2	9778080	4 AMP FUSE
3	9779208	SCREW, PN HD, 1/4-14 X 3/4"
4	9779420	WASTE TRAY
5	9777318	PUNCH GUIDE
6	N/A	PUNCH GUIDE SPRING (NOT USED ON SB2000)
7	9777433	BASE
8	9776798	COUPLING
9	9776830	HANDLE CAP
10	9779167	HANDLE SCREW
11	9781263	WASHER
12	9777277	HANDLE ASSY
13	9778087	RUBBER FOOT

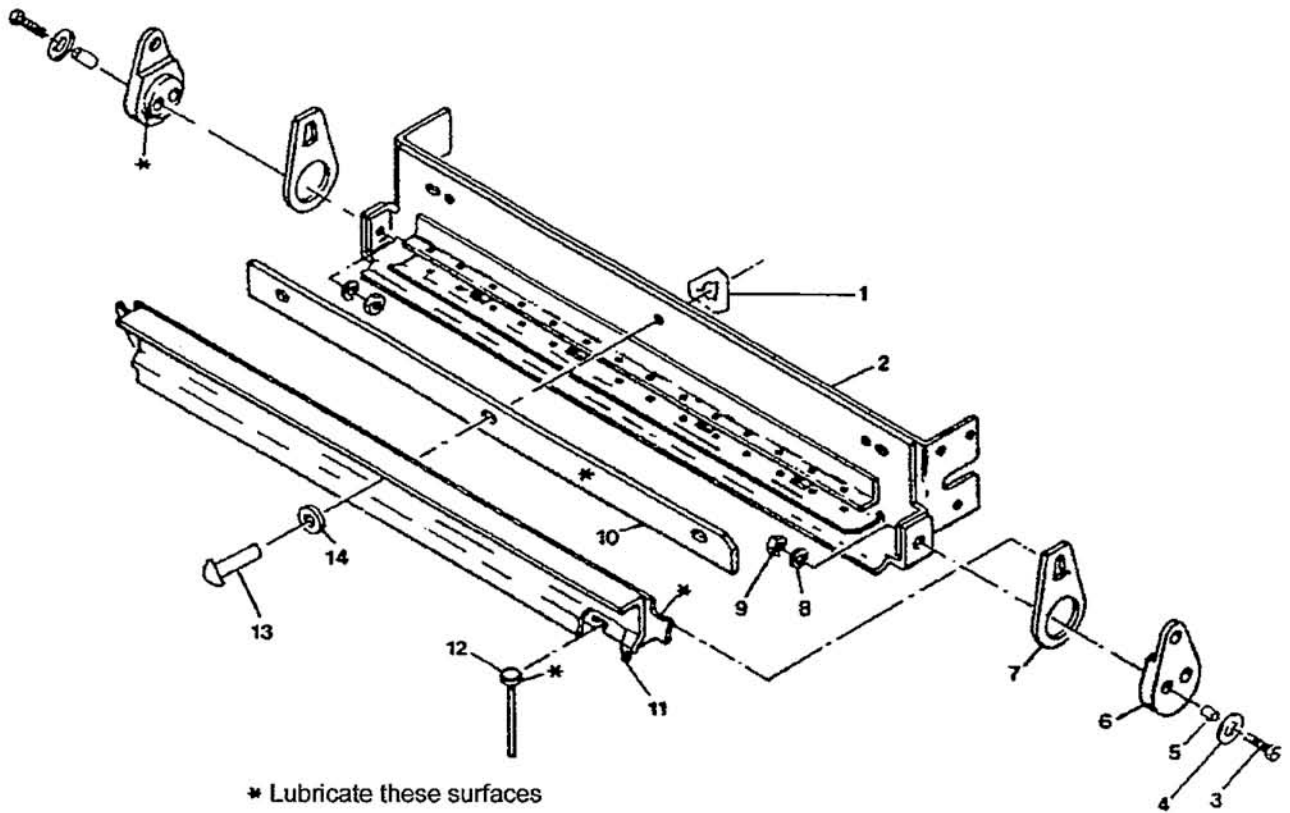


FIGURE 8.3

ITEM NUMBER	PART NUMBER	DESCRIPTION
1	9779078	RETAINING CLIP
2	9777425	PUNCH HOUSING
3	1900531	SHOULDER SCREW
4	9779915	WASHER
5	9779257	SPACER
6	9781095	ECCENTRIC DRIVE
7	9778446	LINK
8	1926002	WASHER
9	1926713	NUT
10	9779250	PUNCH SPACER
11	9781390	PUNCH ACTUATOR
12	9778684	PUNCH PIN
13	9779063	RIVET SOLID RND HD ¼ X 1
14	9779933	SPACER
15*	9778711	PUNCH ASSY

* NOT SHOWN

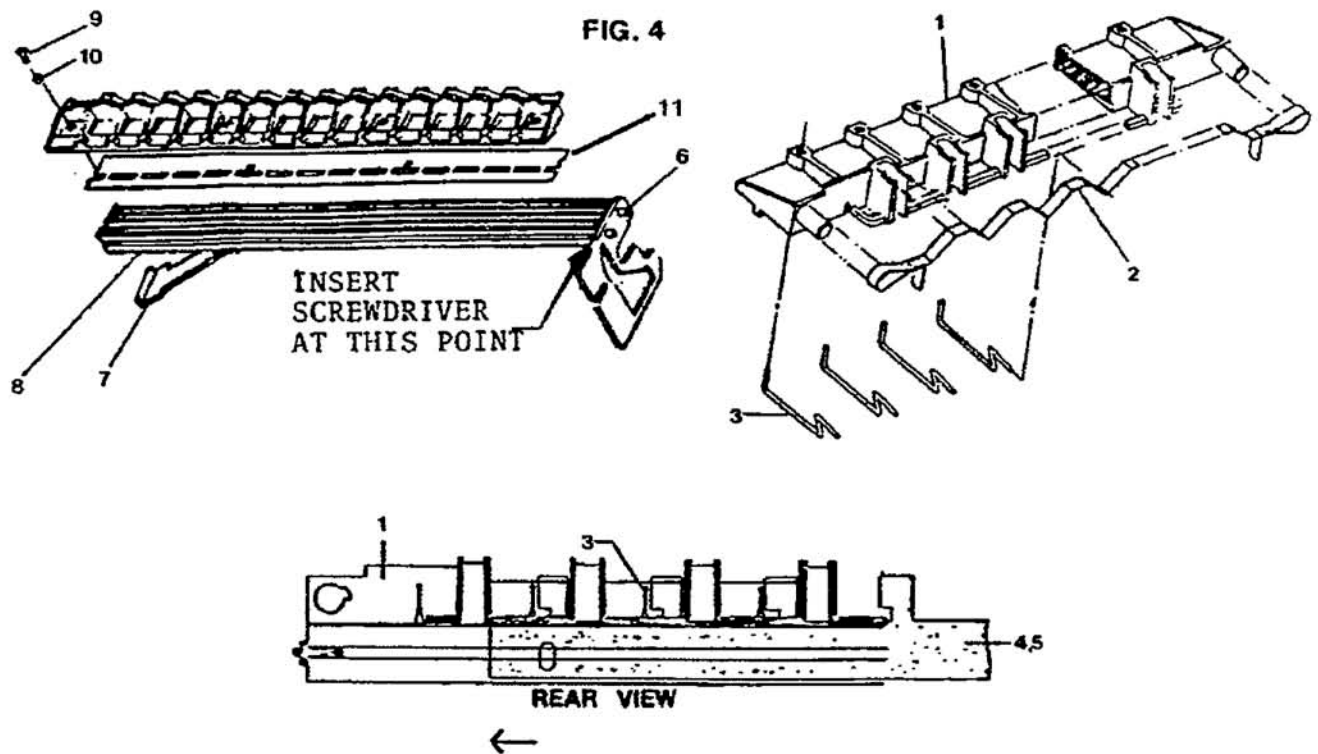
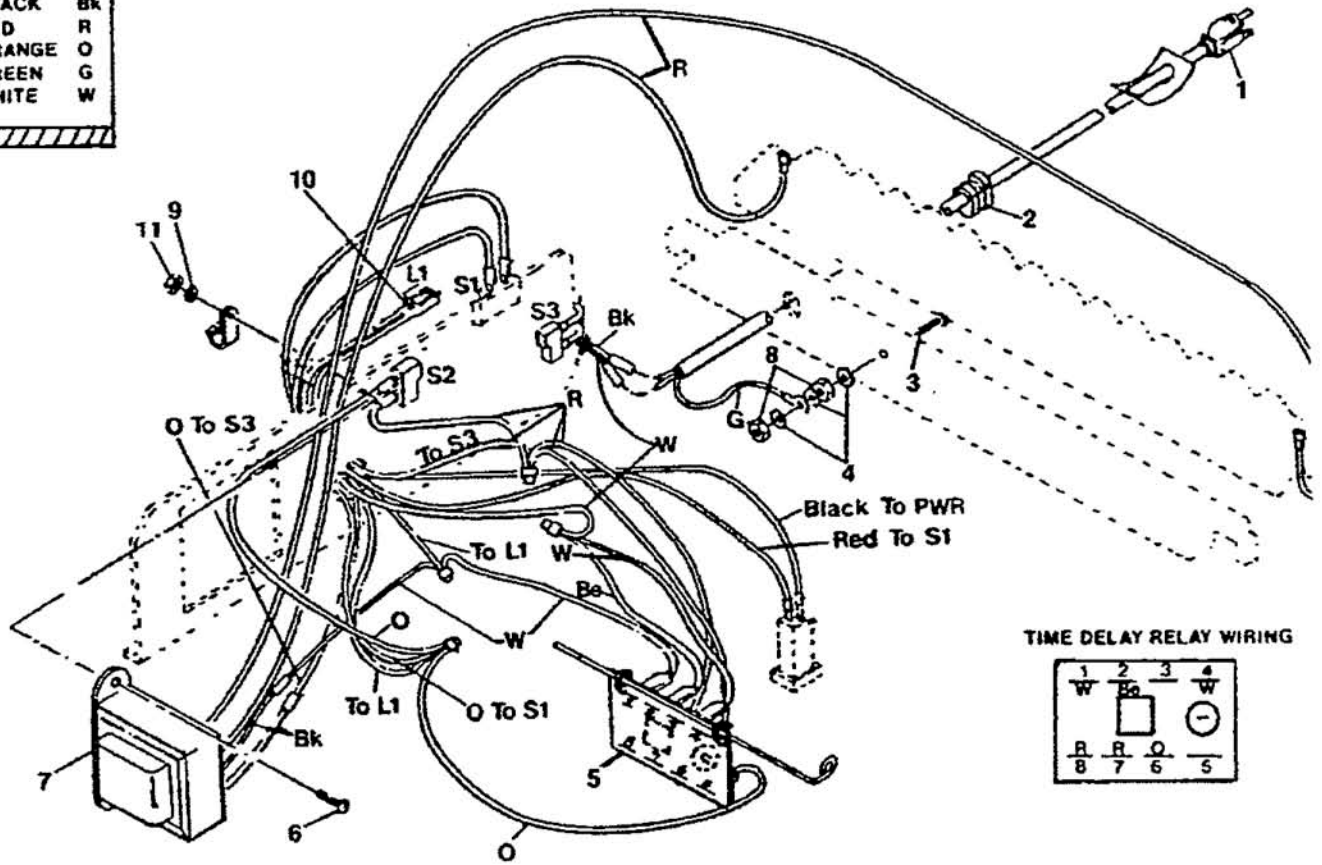


FIGURE 8.4

ITEM NUMBER	PART NUMBER	DESCRIPTION
1	9777029	HEATER SUPPORT
2	9781639	STRIP BLADE (HEATER)
3	9779268	TENSIONER SPRINGS
4	9781152	TRAVEL ARRESTOR (LONG)
5	9781153	TRAVEL ARRESTOR (SHORT)
	9779218	TRAVEL ARRESTOR SCREW (NOT SHOWN)
6	9779352	HEATER SUPPORT STUD
7	9781163	HEATER SUPPORT SPRING
8	9776664	SUPPORT BAR
9	9781172	SCREW, 4 X 1/2"
10	9779896	FLAT WASHER
11	9781572	INSULATOR
	9777072	HEATER ASSY (ALL PARTS ABOVE)
	9781041	HEATER REPAIR KIT (ITEMS 1, 2, 3)

COLOR CODE

BLUE	B#
BLACK	Bk
RED	R
ORANGE	O
GREEN	G
WHITE	W



TIME DELAY RELAY WIRING

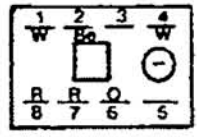


FIGURE 8.5

ITEM NUMBER	PART NUMBER	DESCRIPTION
1	9779960	POWER CORD ASSY 115V
1	9779956	POWER CORD ASSY 230V
2	1952406	BUSHING
3	1901506	SCREW, 8/32 X 1/2"
4	1925903	WASHER, LOCK #8
5	9779053	TIME DELAY RELAY, 115V
5	9779054	TIME DELAY RELAY, 230V
6	1901506	SCREW, 8/32 X 1"
7	9781203	TRANSFORMER, 115V
7	9779400	TRANSFORMER, 230V
8	1132982	HEX NUT
9	1925903	WASHER, LOCK #8
10	9778417	INDICATOR LIGHT
11	1132982	HEX NUT

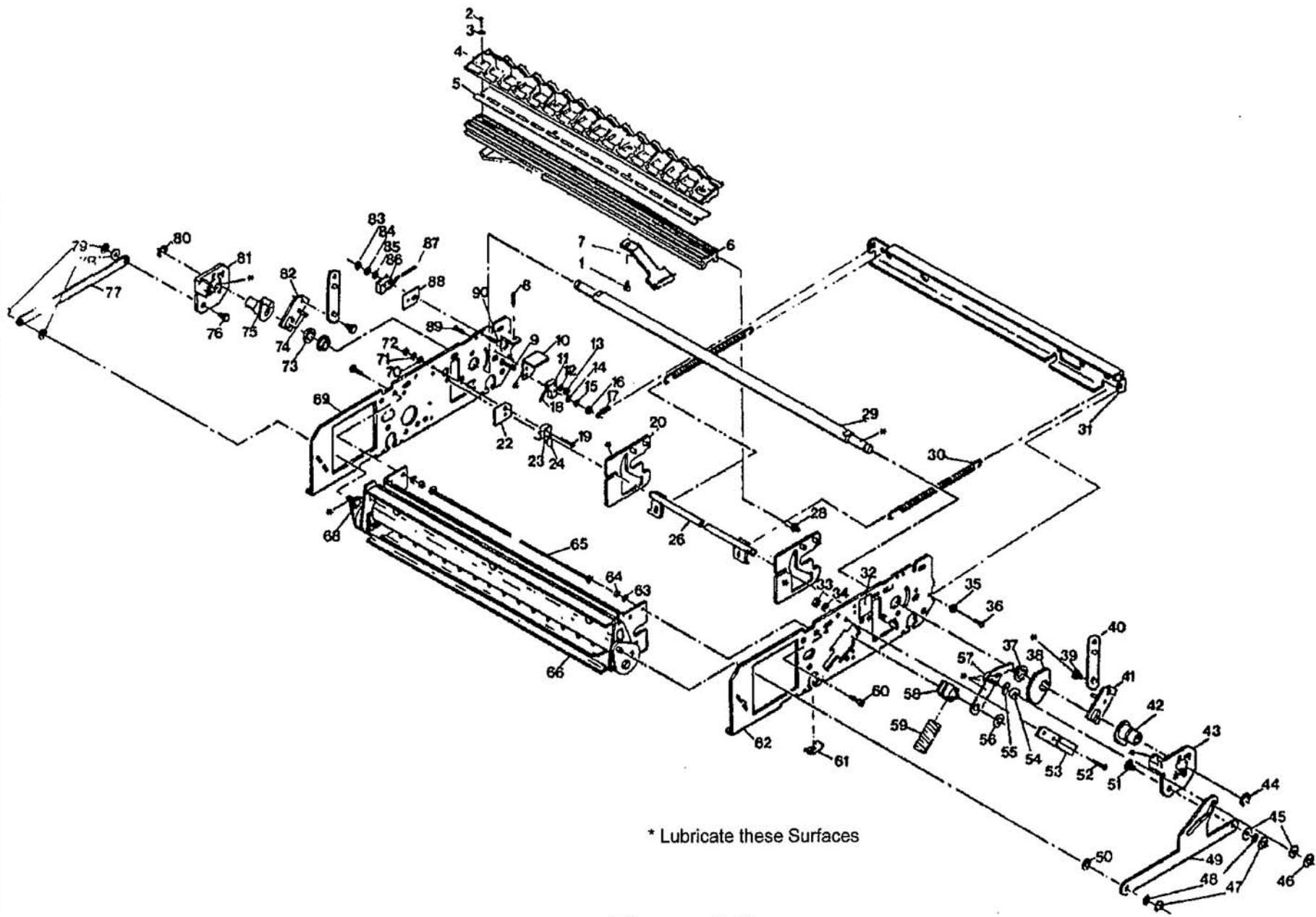


Figure 8.6

FIGURE 8.6

ITEM #	PART NUMBER	DESCRIPTION	ITEM #	PART NUMBER	DESCRIPTION
1	9781172	SCREW 4-40 X 1/4"	48	9778766	TEFLON WASHER
2	9779213	#4 X 1/2 SCREW	49	9781049	ACTUATOR
3	9779896	#4 FLAT WASHER	50	9779932	PLASTIC WASHER
4	9777072	HEATER ASSY	51	9779351	PIVOT STUD
5	9781572	INSULATOR	52	1901506	SCREW 8-32 X 1/2
6	9776664	SUPPORT BAR	53	9776667	LINK BRACE
7	9779281	SUPPORT SPRING	54	9779084	ROLLER
8	9779201	SCREW 8-32 X 7/8"	55	9779934	SPRING WASHER
9	9779162	SCREW 2-56 X 5/8"	56	9778606	SPEED NUT
10	9776682	SWITCH BRACKET	57	9778773	PAWL ASSY
11	9779315	MICROSWITCH	58	9776665	PILLOW BLOCK
12	9779917	#2 FLAT WASHER	59	9776605	COMP SPRING
13	9778594	#2-56 SELF LOCK NUT	60	9779115	SCREW 1/4-28
14	9779917	#2 FLAT WASHER	61	9778607	SPEED NUT
15	1925805	#2 LOCK WASHER	62	9780071	RH SIDE PLATE
16	1926714	#2-56 HEX NUT	63	1926002	LOCK WASHER 1/4
17	9779271	EXTENSION SPRING	64	1926713	HEX NUT, 1/4-28
18	9776359	SWITCH ACTUATOR	65	9779294	HARNESS SUPPORT
19	9779162	SCREW, 2-56 x 7/8"	66	9778711	PUNCH ASSY
20	9780070	LH DRIVE PLATE	67		N/A
	9780082	RH DRIVE PLATE	68	9779351	PIVOT STUD
22	9778292	INSULATOR	69	1300329	LH SIDE PLATE
23	9779315	MICROSWITCH	70	9779917	#2 FLAT WASHER
24	9776357	SWITCH ACTUATOR	71	1925805	#2 LOCK WASHER
25		N/A	72	1926714	2-56 HEX NUT
26	9779242	TIMING SHAFT ASSY	73	9779251	SPACER
27		N/A	74	1132976	GROVE PIN
28		N/A	75	9778198	PLASTIC HUB
29	9779233	SHAFT	76	9779351	PIVOT STUD
30	9779269	DRIVE SPRING	77	1300311	PUNCH LINK
31	9776683	FRAME	78	9779932	PLASTIC WASHER
32		N/A	79	1930510	E RING
33	1926701	8-32 HEX NUT	80	1930544	RETAINING RING
34	1925903	#8 LOCK WASHER	81	9778450	LH DRIVE LINK
35	1925904	#6 LOCK WASHER	82	9777309	LH SHAFT LINK ASSY
36	9779225	SCREW, 6-20 X 3/8"	83	1926714	2-56 HEX NUT
37	9776609	BEARING	84	1925805	#2 LOCK WASHER
38	9779086	RATCHET	85	9779917	#2 FLAT WASHER
39	9778458	CONNECTING PIN	86	9779315	MICROSWITCH
40	9777309	PRESSURE BAR LINK	87	9777328	SWITCH ACTUATOR
41	9777309	RH SHAFT LINK ASSY	88	9778292	INSULATOR
42	9778198	PLASTIC LINK	89	9779181	SCREW, 2-56 X 5/8 FLT
43	9778449	RH DRIVE LINK	90	9779162	SCREW, 2-56 X 5/8 RD
44	1930544	E RING			
45	9779932	PLASTIC WASHER			
46	9779068	E RING			
47	1930510	E RING			