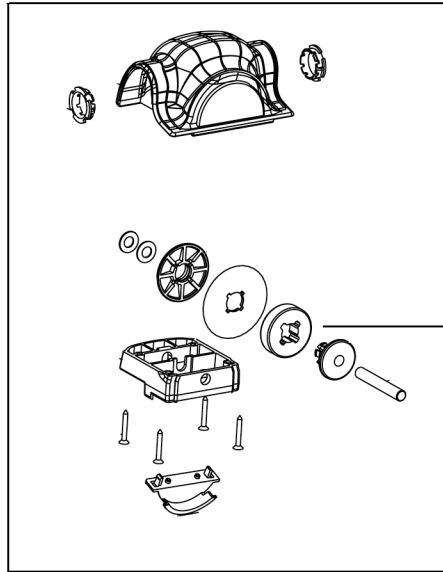


SmartCut Rotary Precision Trimmers Model S618pro & Model S638pro Parts List



Complete Cutter Assembly 1690060
Individual Parts Are Not Available.

Ruler Fixer W03300206



Ruler W01600044

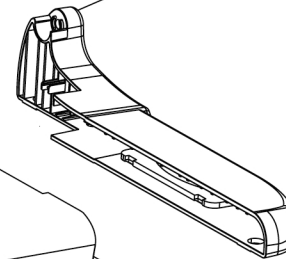
Magnet W06700021

Pin For Ruler W09600678

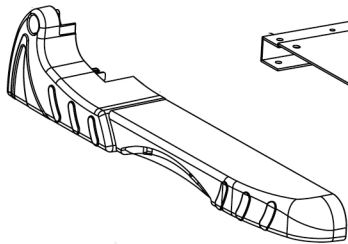
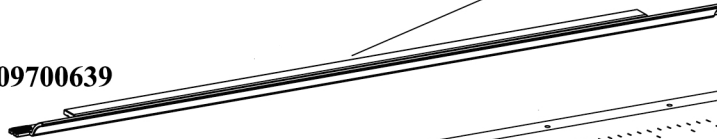
Paper Clamp for Model (S618pro ONLY) W00300314

Paper Clamp For Model (S638pro ONLY) W0030067110

Base, Right W00102074



Screws For Clamp W09700639



Base, Left W00102075

NOTE: Part numbers listed are the only items for purchase.