



GBC

Pro Trim 60

Parts List



GBC IS AN ACCO BRANDS COMPANY



Pro Trim 60

Later Models =

**Neolt Power Trim Plus 165
(73" wide throat opening)
(see drawings before parts list)**

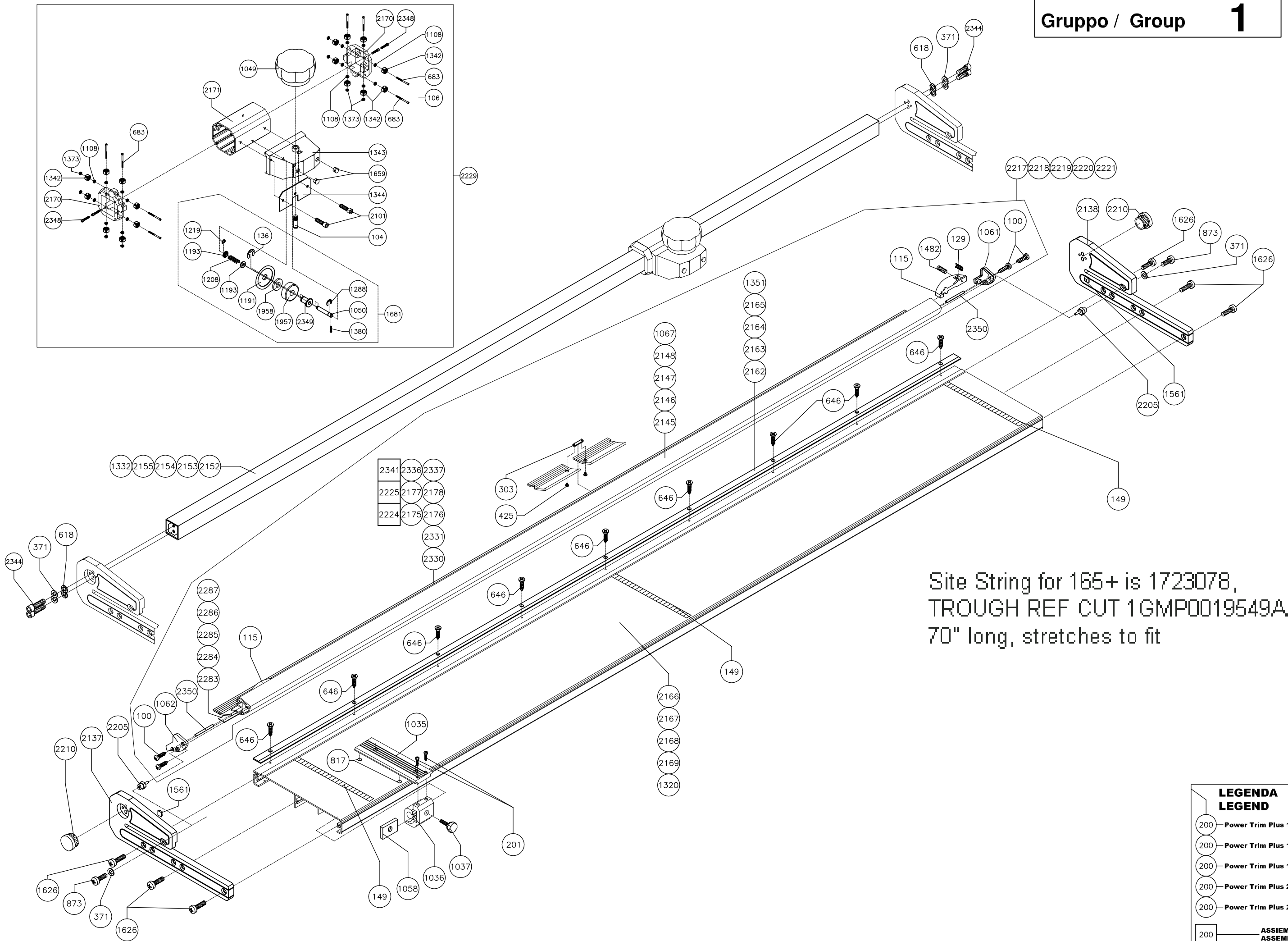
Earlier Models =

**Neolt Power Trim 150
(65" wide throat opening)
(see drawings after parts list)**

GBC IS AN ACCO BRANDS COMPANY



Gruppo / Group **1**

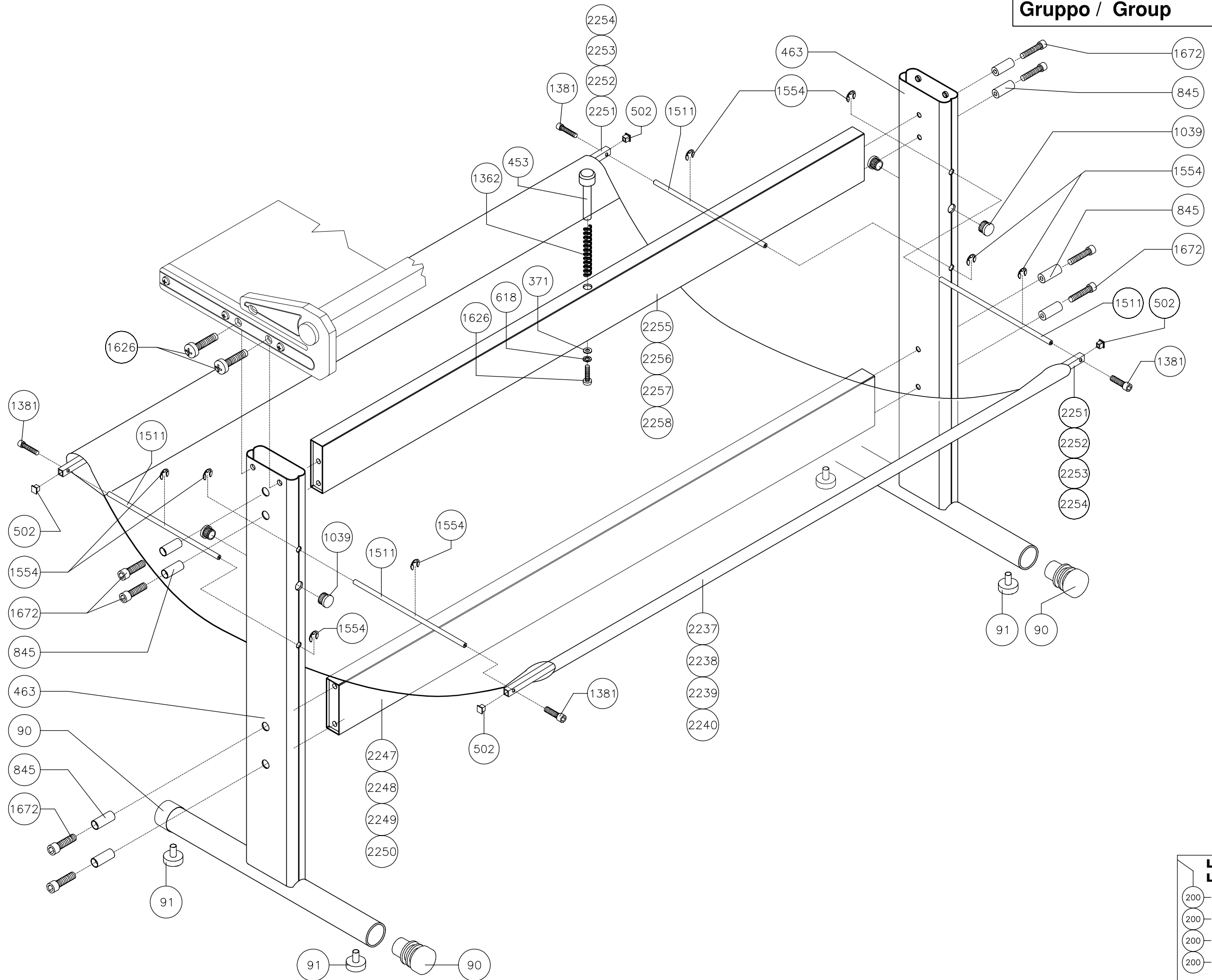


Site String for 165+ is 1723078,
TROUGH REF CUT 1GMP0019549AA,
70" long, stretches to fit

**LEGENDA
LEGEND**

200	Power Trim Plus 105
200	Power Trim Plus 145
200	Power Trim Plus 165
200	Power Trim Plus 210
200	Power Trim Plus 250
200	ASSIEME ASSEMBLY

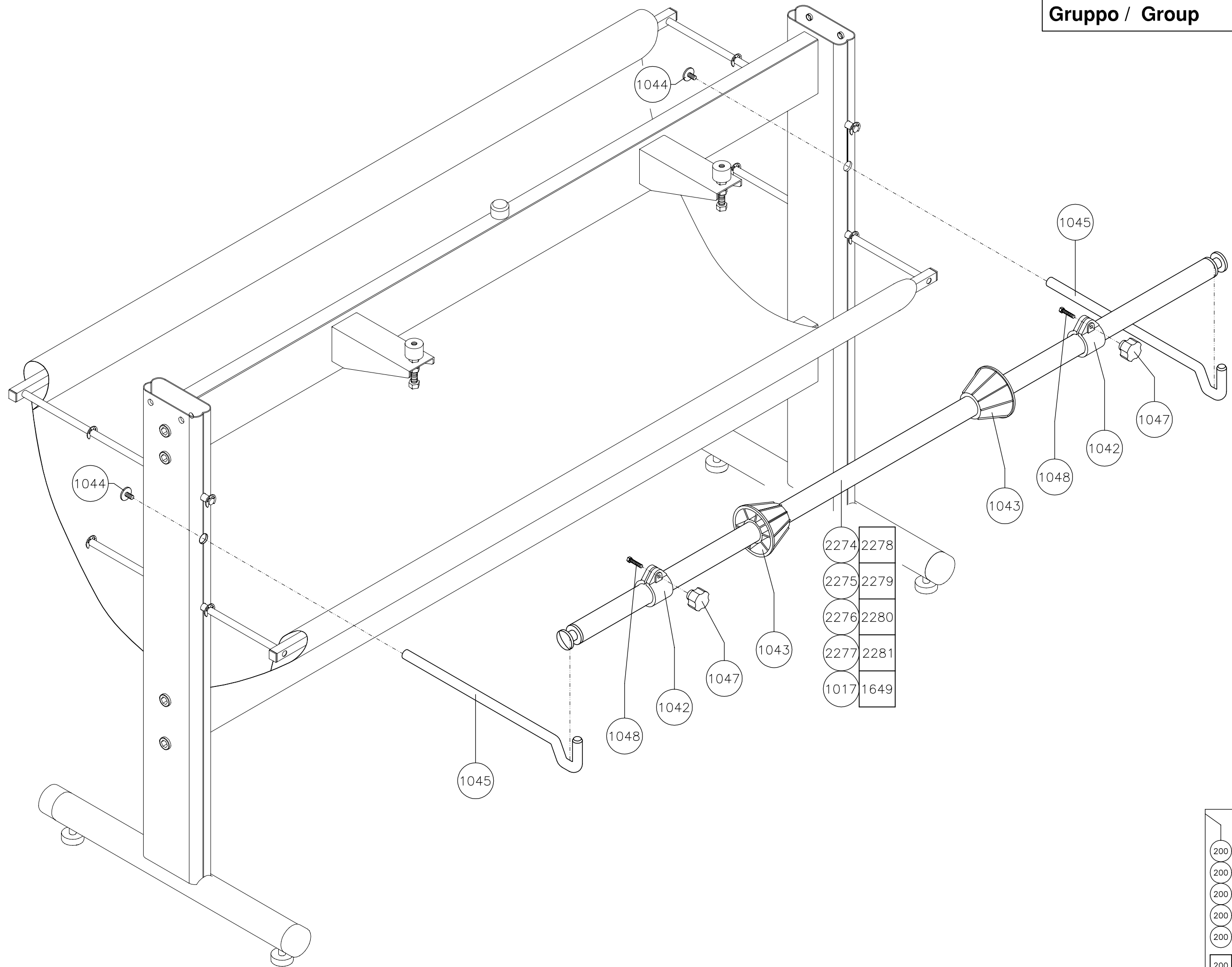
Gruppo / Group **2**



**LEGENDA
LEGEND**

200	Power Trim Plus 105
200	Power Trim Plus 145
200	Power Trim Plus 165
200	Power Trim Plus 210

Gruppo / Group **5**



**LEGENDA
LEGEND**

200	Power Trim Plus 105
200	Power Trim Plus 145
200	Power Trim Plus 165
200	Power Trim Plus 210
200	Power Trim Plus 250
200	ASSIEME ASSEMBLY

PRO TRIM 60 / 60(+) = POWER TRIM 150 &165(+) PARTS LIST

POS	DESCRIPTION	CODE	GBC PART No.	165+	150
87	Bendable Rod	1GAS0410066AC	1766006		1
88	Paper Collectign Curtain	1GTL0005516LG	1766084		1
89	Black foot plug	19MP1503893F0	1766009		2
90	Plug	19MP1503944F0	1740514		4
91	Adjustable foot M.10	09PI0003559F0	1740516		4
93	TCCE M. 8 x45 Screw	2VN08045000AZ	1766138		8
94	Traverse Bush	19MM0505603AZ	1766154		8
95	TC M.6x25 Screw	2VV06025000AN	1766128		4
96	Rivet M.4 x15	2T004015000AA	1766670		2
98	Lamp Holder	6GPL0007	1766053		1
99	Lamp Holder Complete	69FL0002	1766389		1
100	TC 5,5x25,4 self-threading screw	2A205525400AZ	1766126		6
101	Right shoulder for manual	1GSP2509047FT	1766101		1
104	Pin for handle	1GMM0705518AN	1766091	1	1
106	M.4x6 gruyb screw w/o point	2G104006000AA	1766455	8	2
111	Sheet Holder Profile mm 1670	1GPM0005473AE	1766113		1
113	Right sheet holder profile plug	1GMP1614735AA	1766100		1
114	Left sheet holder profile plug	1GMP1705509FT	1766056		1
115	Sheet holder lift	1GLV0007316FT	1723073	2	2
129	Spring for sheet holder lift	1GMO0005508AZ	1766119	2	2
132	Eccentric pin for sheet holder	1GMM0705491AN	1766035		2
136	Clamp ring d.12	2B012000000AA	1766013	1	1
139	M. 5 x16 grub screw w/o point	2G105020000AA	1766073		2

145	Hexagonal nut M.10	2D310000000AZ	1766049		2
147	Washer mm 16x6,2x0,3	2R616006203AA	1766160		1
149	Guide rule strip	1GAD0015354AA	1766048	3	3
201	TC+ M4x12 screw	2VV04012000AN	1766136	2	2
303	Microswitch Plate	19MM1405904AV	1766511	1	
322	Black Lamp Power cord 3x0,75 mm2000	69CC0008	1766011		1
359	Lamp fixing bracket	1GMM1705969AV	1766388		2
371	Washer d.6	2R006000000AZ	1766159	4	1+
425	Goniometer screw	1DMM0105002AN	1766361	2	
453	Work Table Tensioning Pin	1GMM0014378AZ	1766913		1
463	Frame Shoulder Assembly	0GSP0014566AV	1766042		2
464	Frame right Shoulder Assembly	0GSP0014567AV	1766041		1
476	Left shoulder for manual	1GSP2614651FT	1766057		1
501	TCCE M5x12 Screw	2VN05012000AN	1766144		4
502	Chromium plated plug CGQ 21-03-198-00 15x15x1	5NTP0001	1766268		4
618	Toothed washer d.6	2R206000000AA	1766858	4	1
646	TPS 3,9x13 self-threading screw	2A603913000AN	1766861	8	
683	TCCE M3x35 screw	2VN03035000AB	1766141	8	8
687	Lamp Holder Complete	Q713	1766391		1
691	Washer mm 18x8,1 x0,2	2R618008102AA			1
817	Washer in teflon	1AMG0105912F0	1766897	2	2
820	Sheet Holder Profile	1GMP7205474PW	1740606		1
829	Complete Sheet Holder Profile	1GPM0005473VZ	1766022		1
845	Traverse Brush	1GMM0017000AZ	1766155		8
1025	Rotary Blade Rubber	1GMG0014697AA	1740609		1

1026	Rotary blade bush	1GMM0014665AA	1766696	1	1
1035	Sheet guide	1GPM0014749AV	1740611	1	1
1036	Cursor block	1GPM0014768AV	1740612	1	1
1037	Locking handwheel	0GMA0015191AA	1740613	1	1+
1038	Chamfered disk				1
1039	Plug CGR 21-02-200-00 (IVARS)	5GTP0044	1766586		4
1042	Clamper+C293	1GMP0014814F0	1766269		2
1043	Conical flange	1GMP0014771F0	1766284		2
1044	Rod screw	1GMM0014816AC	1766674		2
1045	Rod	1GSU0014815AC	1766671		2
1046	Roll holder cross bar assembly	1GTU0014809AC	1766695		1
1047	Handwheel	59VO0004	1766371		2
1048	TE M5x30 Screw	2VA05030000AZ	1766850		2
1049	Carriage handle	1GMP0014913F6	1740614	1	4
1050	Rotary blade shaft	1GMM0014845AA	1766700	1	1
1051	Spring for sheet holder profile	1GMO0005507AZ	1766813	2	2
1058	Sheet holder plate	1GMP0014757F0	1766750	1	1+
1061	Right plug for sheet holder profile	1GMP0015061FT	1766662	1	
1062	Left plug for sheet holder profile	1GMP0015062FT	1766414	1	
1108	Carriage spacer	1GMM0015621AA	1766263	16	16
1191	Rotary blade	1GLA0015949AA	1740618	1	1
1193	Spring driving washer	1GMM0015951AA	1766811	2	2
1208	Rotary blade spring	1GMO0015981AZ	1740619	1	1
1219	BENZING ring d.4	2B004000000AZ	1766227	1	1
1234	36W fluorescent lamp	69LF0002	1766192		1

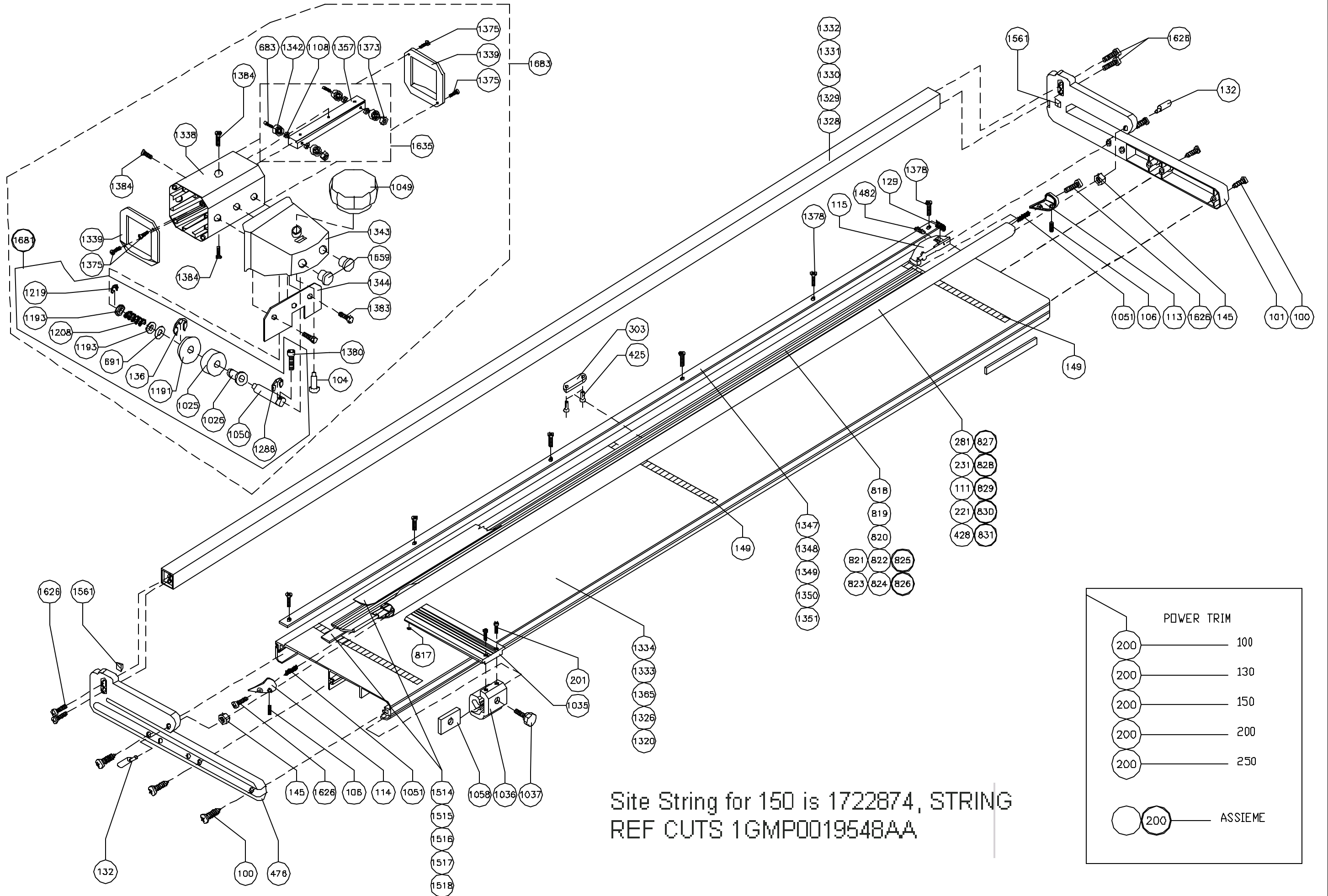
1236	White cable holder	59PS0002	1766904		1
1288	Clamp ring d.6	2B006000000AA	1766014	1	1
1324	Upper cross bar frame	1GTX0014553AV	1766879		1
1330	Sliding bar	0GPM0014623AC	1740661		1
1338	Carriage	1GCR0014653AV	1740660		1
1339	Carriage plug	1GCO0014654FT	1766259		2
1340	Bearings holding plate with hexagonal holes	1GMM00145657AE	1766221		2
1341	Hexagonal eccentric pin for carriage				4
1342	Carriage bearing	1GCA0014660FB	1740623	16	16
1343	Rotary blade holding carriage	1GCR0014666GT	1766697	1	1
1344	Reinforcing carriage plate	1GMM0014667AZ	1766653	1	1
1345	Spacing flange for carriage				16
1347	Fixed blade	1GLA0014686AV	1766036		1
1357	Bearings holder	1GMM0014843AE	1766220		4
1362	Spacing flange for carriage	1GMO0014977AA	1766815		1
1365	Work table	1GPM0005479AV	1766166		1
1373	Hexagonal nut M.3	2D203000000AZ	1766374	8	8
1375	TC 3,5X9,5 Self threading screw	2A203509500AZ	1766122		4
1378	TPS TC 3,9x15,9 self-threading screw	2A603915900AZ	1766862		7
1379	TC M5x12 screw	2VV05012000AZ	1766462		2
1380	TCCE M.3x12 screw	2VN03012000AB	1766845	1	1
1383	TE M.5x16 screw	2VA05016000AA	1766147		2
1384	TPS TC M.5x16 screw	2VH05016000AA	1766864		3
1482	M.4x16 grub screw	2G104016000AA	1766071		2
1509	Curtain rod	1GAS0015124AC	1766299		2

1511	Spaced bar for trimmers courtines	1GAS0015126AC	1740629		4
1516	Sheet holder strip assembly	1GFEE0015477VW	1740631		1
1553	Screw for courtin bar	1GMM0015184AC	1766705		2
1554	Clamp ring d.9 (U7434)	2B009000000AA	1766015		8
1561	Rubber plug for work table	5GGO0006	1766703	2	2
1592	Plate Assembly	0GPA0015203AZ	1766564		4
1593	Block	1GMM0015199AE	1766237		4
1594	Table Support Plug	0GSP0015200AV	1766837		2
1595	Rod Iron	1GTU0015204AC	1766837		2
1596	Rod Iron Pin	1GMM0015205AC	1766673		4
1597	Support Shaft	1GTU0015209AC	1766835		2
1601	Rear Adjsut Rod	0GTE0015216AC	1766622		1
1607	Rear Table	1GPI0015232FN	1766642		1
1612	Rinforcent Bar	1GBR0015266AV	1766648		1
1616	Adhesive mm Label	1GAD0016125AA	1766203		2
1617	TC 4,8x15,9 Slef Threadign Screw	2A204215900AZ	1766124		4
1618	Plug	59PI0005	1766584		2
1619	Handwheel	5MVO0002	1766373		2
1620	M.6x8 grub Screw	2G106008000AA	1766479		4
1621	M.10x15 grub Screw	2G110015000AA	1766448		2
1622	TC M6x16 Screw	2VV06016000AZ	1766135		8
1626	TC M.6x30 screw	2VV06030000AN	1766840	10	6+
1629	Plate	1DMM1402860AN	1766559		2
1630	TE M.6x12 Screw	2VA06012000AZ	1766849		2
1631	Hand wheel	5GVO0012	1766372		2

1632	Plug	5GTP0052	1766587		2
1635	Carriage bearing Plate Asy	1GMM0014843VW	1766251		4
1642	Complete carriage	1GCR0014653VW	1766019		1
1647	Roll holder assembly	Q715	1722904		1
1659	Carriage plug	1GMP1518021F0	1766261	2	2
1672	TCCE M.8x50 screw	2VN08050000AZ	1766139		8
1681	Complete rotary blade	0GLA0015949VW	1723098	1	1
1683	Complete carriage	0GCR0014653VX	1723071		1
1957	Rotary blade rubber	1GMG0019691AA	1766699	1	
1958	Spacer for rotary blade rubber	1GMP0219692F0	1766794	1	
2054	TC 3,9x22,2 selftread.screw	2A203922200AZ	1766843	4	
2101	TCCE M5x12 screw	2VN05012000AZ	1766145	2	
2137	Left shoulder	1GSP0019303AV	1766419	1	
2138	Right shoulder	1GSP0019320AV	1766665	1	
2147	Sheet Holder Profile	1GPM0019526AE	1766755	1	
2154	Sliding Bar	1GBR0019541AC	1766791	1	
2164	Fixed Blade	1GLA0019554AV	1766333	1	
2168	Work Table	1GPI0019560AV		1	
2170	Carriage plug	1GMM0019611AV	1766260	2	
2171	Carriage	1GCR0019612AV	1766249	1	
2172	Carriage threaded plate	1GMM0019613AZ	1766264	1	
2205	Sheet holder eccentric pin	1GMM0719814AN	1766739	2	
2210	Plug	5GTP0063	1766588	2	
2219	Sheet Holder Group	GGRUPPO4PP	1726884	1	
2224	Sheet Holder Group		1766744	1	

2229	Carriage group	-GGRUPPO1PP	1766256	1	
*****	STAND				
90	Plug	19MP1503944FN	1740515	4	4
91	Adjustable foot M.10	09PI0003559F0	1740501	4	4
371	Washer d.6	2R006000000AZ	1766159	1	1+
453	Work table tensioning pin	1GMM0014378AZ	1766913	1	1
463	Frame shoulder assembly	0GSP0014566AV	1766042	2	2
502	Chromium plated plug CGQ 21-03-198-00 15x15x1	5NTP0001	1766268	4	4
618	Toothed washer d.6	2R206000000AA	1766858	1	1
845	Traverse bush	1GMM0017000AZ	1766155	8	8
1039	Plug	5GTP0044	1766586	4	4
1362	Spring fot table adjusting pin	1GMO0014977AA	1766815	1	1
1381	TCCE M5x10 screw	2VN05010000AZ	1766143	4	4
1511	Spaced bar for trimmers courtines	1GAS0015126AC	1740629	4	4
1554	Clamp ring d.9 (U7434)	2B009000000AA	1766015	8	8
1626	TC M.6x30 screw	2VV06030000AN	1766840	5	6+
1672	TCCE M.8x50 screw	2VN08050000AZ	1766139	8	8
2249	Lower Cross bar frame	0GTX0019583AV	1766065	1	
2253	Curtain Tubular	1GTU0019591AC	1766308	2	
2257	Upper cross abr frame	0GTX0019595BV	1766874	1	
*****	Lamp (Optional)				
359	Lamp fixing bracket	1GMM1705969AV	1766388	2	
369	Washer d.5	2R005000000AN	1766158	2	

371	Washer d.6	2R006000000AZ	1766159	2	1+
687	Lamp holder complete	Q713	1723076	1	1
1234	36 W Ffluorescent lamp	69LF0002	1766192	1	1
1236	White cable holder	59PS0002	1766904	1	1
1379	TC M5x12 screw	2VV05010000AZ	1766132	2	2
1629	Plate	1DMM1402860AN	1766559	2	2
1630	TE M.6x12 screw	2VA06012000AZ	1766849	2	2
1732	Flying black interrupteur	6GIT0013	1766349	1	
1733	Wiring for kit optional lamp	6GCA0189	1766908	1	
*****	<i>Roll Holder Optional</i>				
1042	Clamper	1GMP0014814F0	1766269	2	2
1043	Conical flange	1GMP0014771F0	1766284	2	2
1044	Rod screw	1GMM0014816AC	1766674	2	2
1045	Rod	1GSU0014815AC	1766671	2	2
1047	Handwheel	59VO0004	1766371	2	2
1048	TE M5x30 Screw	2VA05030000AZ	1766850	2	2
2276	Roll holder bar assembly	0GTU0019565AA	1766693	1	
2280	Roll holder assembly	P933P	1766676	1	

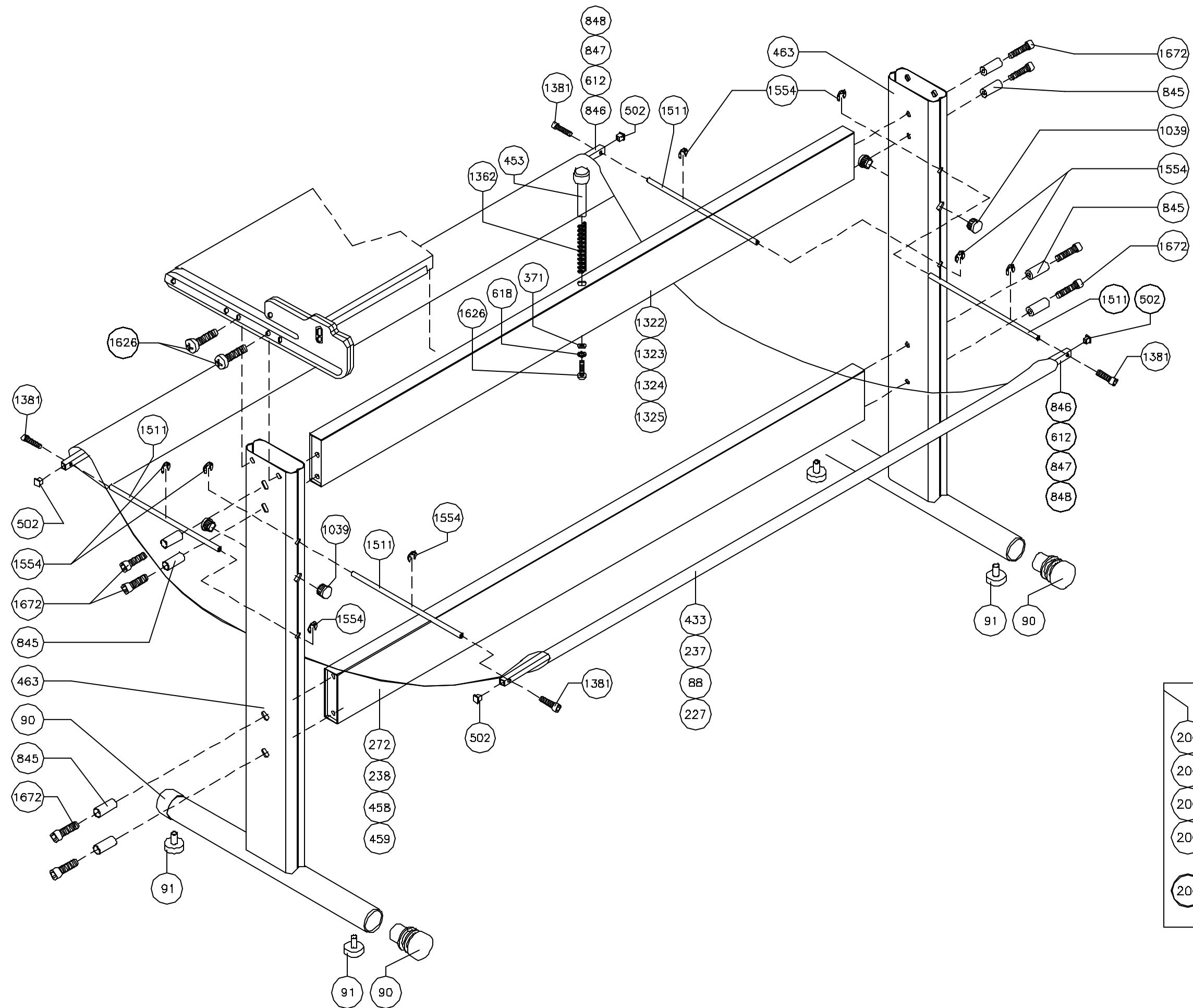


Site String for 150 is 1722874, STRING REF CUTS 1GMP0019548AA

POWER TRIM	
200	100
200	130
200	150
200	200
200	250
200	ASSIEME

POWER Trim 100 130 150 200

REV.2 - 10/1999



- | | |
|-----|------------------|
| 200 | POWER TRIM 100 |
| 200 | POWER TRIM 130 |
| 200 | POWER TRIM 150 |
| 200 | POWER TRIM 200 |
| 200 | ASSIEME COMPLETO |