

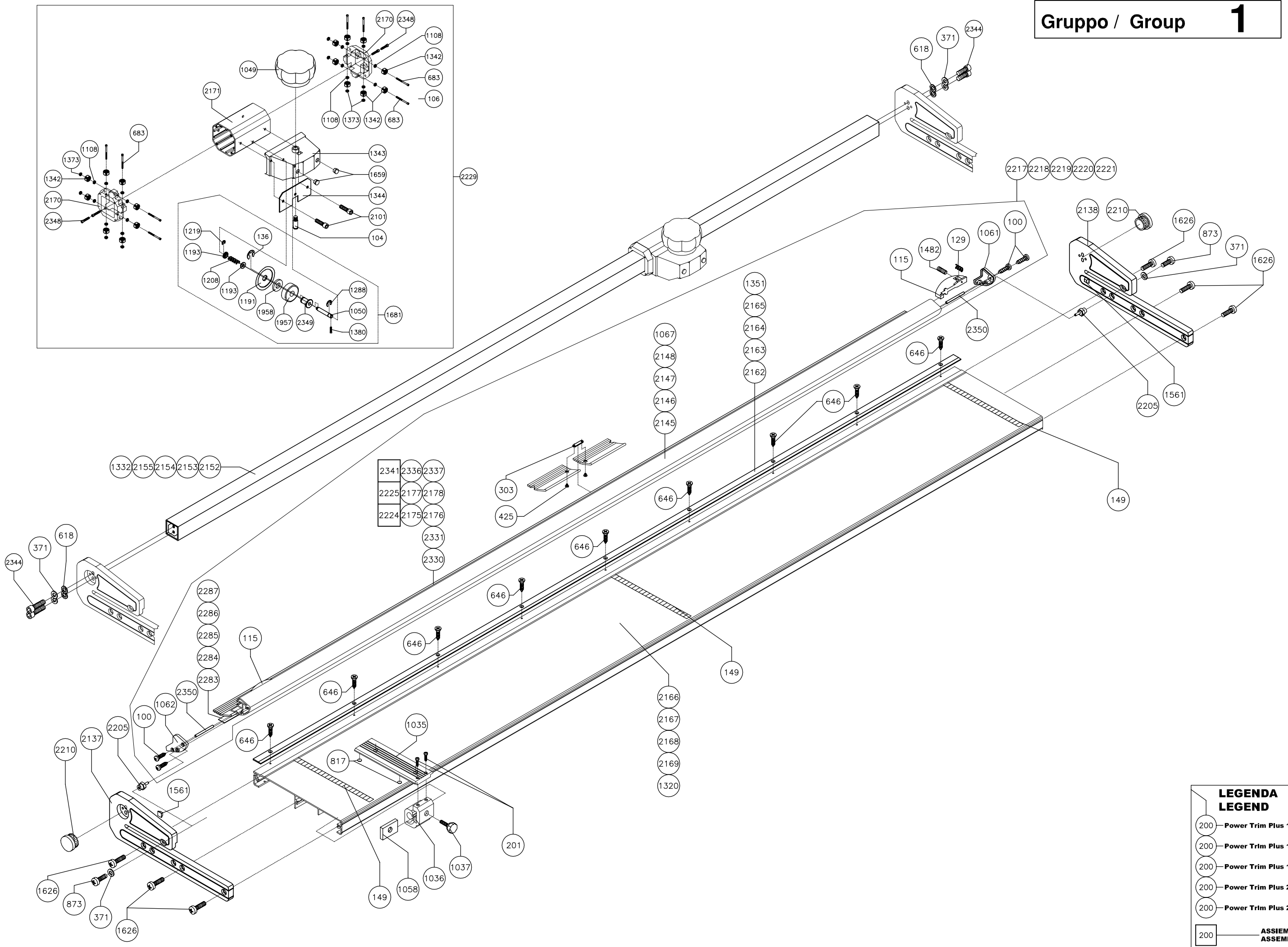


PRO TRIM 40 & Power Trim Plus 105 Parts List



GBC IS AN ACCO BRANDS COMPANY

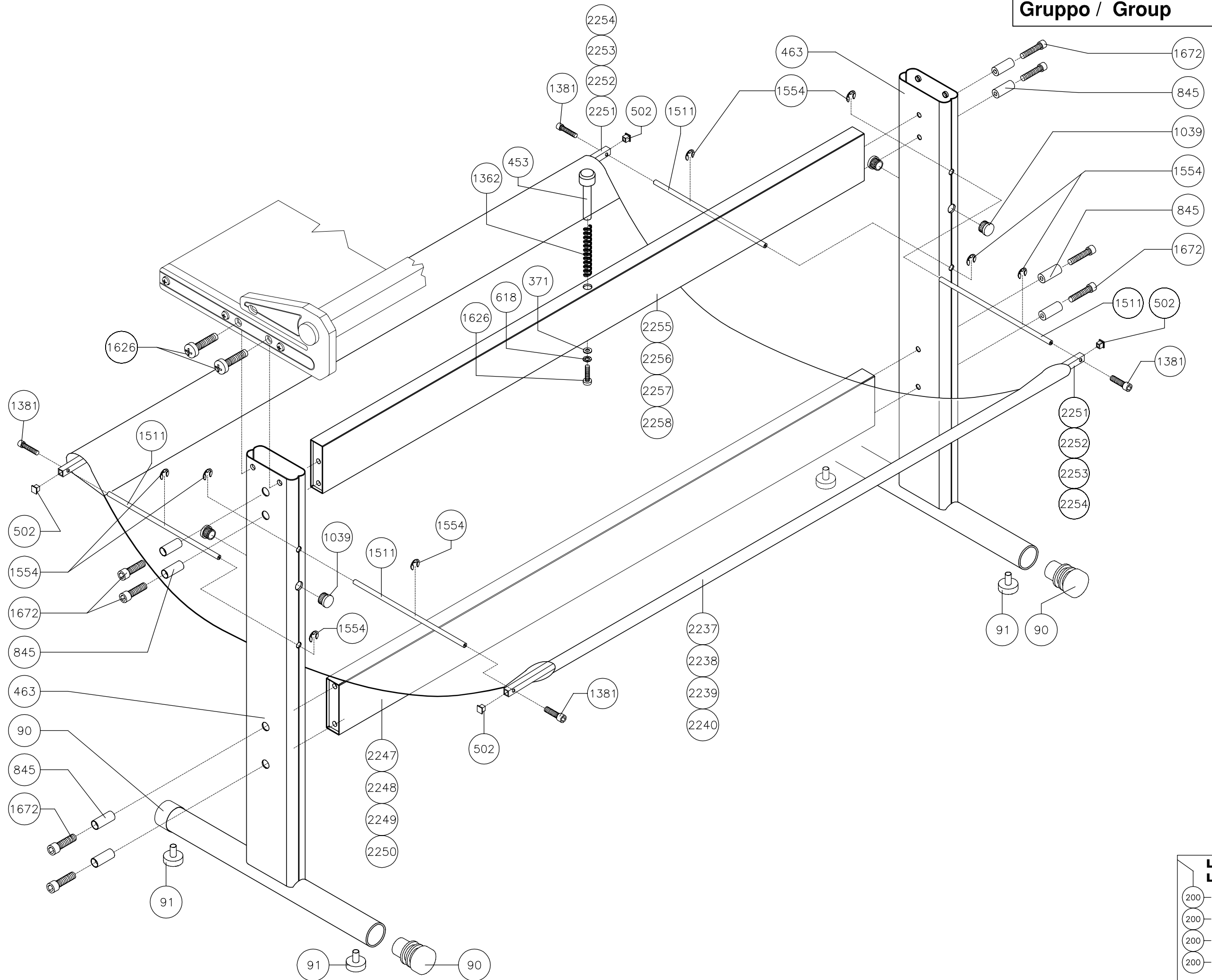
Gruppo / Group **1**



**LEGENDA
LEGEND**

200	Power Trim Plus 105
200	Power Trim Plus 145
200	Power Trim Plus 165
200	Power Trim Plus 210
200	Power Trim Plus 250
200	ASSIEME ASSEMBLY

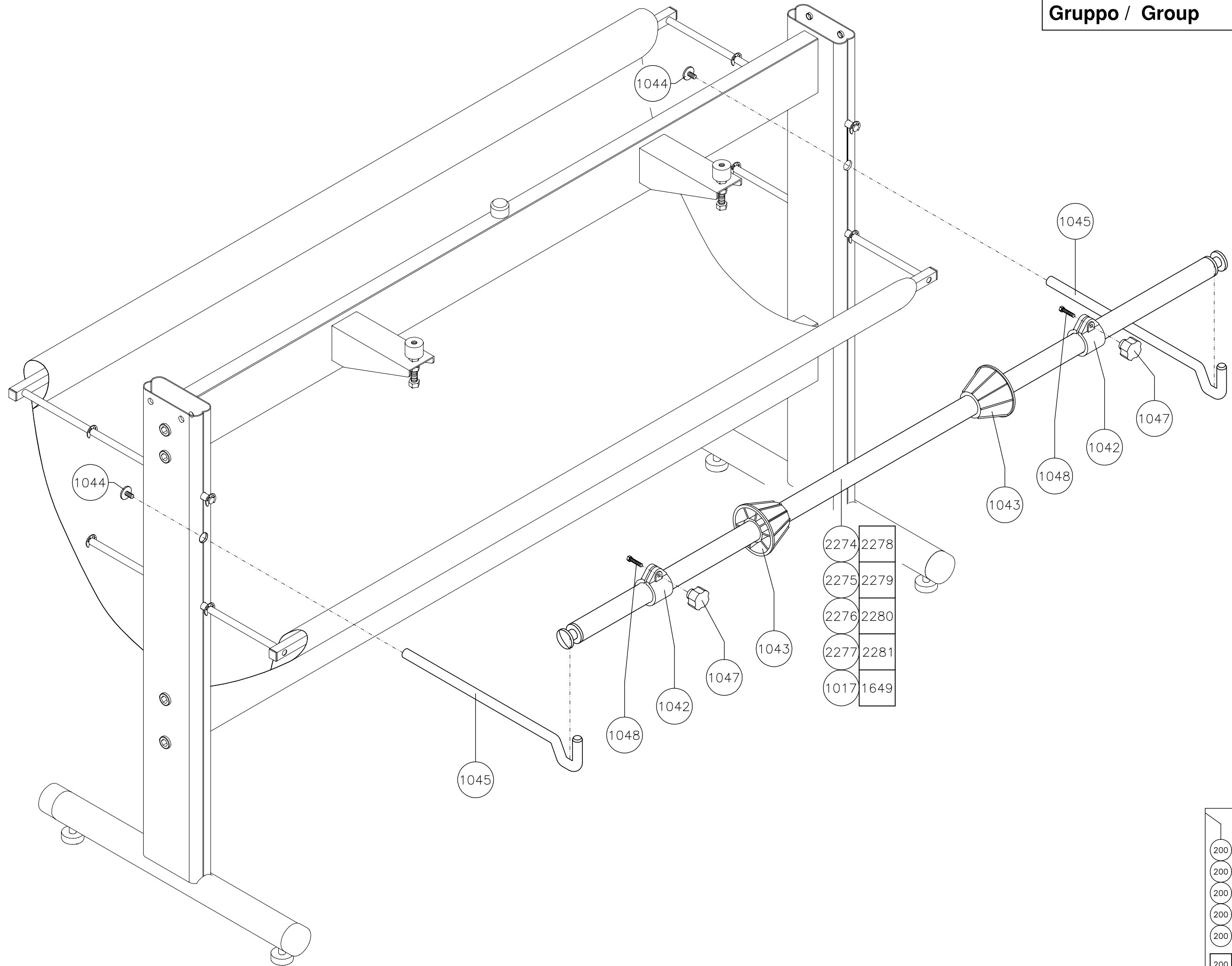
Gruppo / Group **2**



**LEGENDA
LEGEND**

200	Power Trim Plus 105
200	Power Trim Plus 145
200	Power Trim Plus 165
200	Power Trim Plus 210

Gruppo / Group **5**



LEGENDA LEGEND	
200	Power Trim Plus 105
200	Power Trim Plus 145
200	Power Trim Plus 165
200	Power Trim Plus 210
200	Power Trim Plus 250
200	ASSIEME ASSEMBLY

**GBC PRO TRIM 40 PARTS LIST =
NEOLT POWER TRIM PLUS 105**

POS	DESCRIPTION	CODE	GBC PART No.	105
104	Pin for handle	1GMM0705518AN	1766091	1
106	M.4x6 grayb screw w/o point	2G104006000AA	1766455	8
115	Sheet holder lift	1GLV0007316FT	1723073	2
129	Spring for sheet holder lift	1GMO0005508AZ	1766119	2
136	Clamp ring d.12	2B012000000AA	1766013	1
149	Guide rule strip	1GAD0015354AA	1766048	2
201	TC+ M4x12 screw	2VV04012000AN	1766136	2
371	Washer d.6	2R006000000AZ	1766159	6
618	Toothed washer d.6	2R206000000AA	1766858	4
646	TPS 3,9x13 self-threading screw	2A603913000AN	1766861	5
683	TCCE M3x35 screw	2VN03035000AB	1766141	8
817	Washer in teflon	1AMG0105912F0	1766897	4
873	TC M.6x14 screw	2VV06014000AZ	1766839	2
1026	Rotary blade bush	1GMM0014665AA	1766696	1
1035	Sheet guide	1GPM0014749AV	1740611	1
1036	Cursor block	1GPM0014768AV	1740612	1
1037	Locking handwheel	0GMA0015191AA	1740613	1
1049	Carriage handle	1GMP0014913F6	1740614	1
1050	Rotary blade shaft	1GMM0014845AA	1766700	1

1051	Spring for sheet holder profile	1GMO0005507AZ	1766813	2
1058	Sheet holder plate	1GMP0014757F0	1766750	1
1061	Right plug for sheet holder profile	1GMP0015061FT	1766662	1
1062	Left plug for sheet holder profile	1GMP0015062FT	1766414	1
1108	Carriage spacer	1GMM0015621AA	1766263	16
1191	Rotary blade	1GLA0015949AA	1740618	1
1193	Spring driving washer	1GMM0015951AA	1766811	1
1208	Rotary blade spring	1GMO0015981AZ	1740619	1
1219	BENZING ring d.4	2B004000000AZ	1766227	1
1288	Clamp ring d.6	2B006000000AA	1766014	1
1342	Carriage bearing	1GCA0014660FB	1740623	16
1343	Rotary blade holding carriage	1GCR0014666GT	1766697	1
1344	Reinforcing carriage plate	1GMM0014667AZ	1766653	1
1373	Hexagonal nut M.3	2D203000000AZ	1766374	8
1380	TCCE M.3x12 screw	2VN03012000AB	1766845	1
1561	Rubber plug for work table	5GGO00006	1766703	2
1626	TC M.6x30 screw	2VV06030000AN	1766840	14
1659	Carriage plug	1GMP1518021F0	1766261	2
1681	Complete rotary blade	0GLA0015949VW	1723098	1
1957	Rotary blade rubber	1GMG0019691AA	1766699	1
1958	Spacer for rotary blade rubber	1GMP0219692F0	1766794	1
2054	TC 3,9x22,2 selftread.screw	2A203922200AZ	1766843	4

2101	TCCE M5x12 screw	2VN05012000AZ	1766145	2
2137	Left shoulder	1GSP0019303AV	1766419	1
2138	Right shoulder	1GSP0019320AV	1766665	1
2145	Sheet holder profile	1GPM0019524AE	1766754	1
2152	Sliding bar	1GBR0019539AC	1766790	1
2162	Fixed blade	1GLA0019553AV	1766332	1
2166	Work table	1GPI0019557AV	1766911	1
2170	Carriage plug	1GMM0019611AV	1766260	2
2171	Carriage	1GCR0019612AV	1766249	1
2172	Carriage threaded plate	1GMM0019613AZ	1766264	1
2205	Sheet holder eccentric pin	1GMM0719814AN	1766739	2
2210	Plug	5GTP0063	1766588	2
2217	Sheet holder group	-GGRUPPO2PP	1766745	2
2229	Carriage group	-GGRUPPO1PP	1766256	2
2283	Strip of adhesive rubber for transparent sheet holder	1GMP0019531F0	1766831	2
2330	Assembly sheet holder	0GPR0020898VW	1766209	1
*****	STAND			
90	Plug	19MP1503944FN	1740515	4
91	Adjustable foot M.10	09PI0003559F0	1740501	1
371	Washer d.6	2R006000000AZ	1766159	1

453	Work table tensioning pin	1GMM0014378AZ	1766913	1
463	Frame shoulder assembly	0GSP0014566AV	1766042	2
502	Chromium plated plug CGQ 21-03-198-00 15x15x1	5NTP0001	1766268	4
618	Toothed washer d.6	2R206000000AA	1766858	4
845	Traverse bush	1GMM0017000AZ	1766155	4
1039	Plug	5GTP0044	1766586	4
1362	Spring fot table adjusting pin	1GMO0014977AA	1766815	1
1381	TCCE M5x10 screw	2VN05010000AZ	1766143	4
1511	Spaced bar for trimmers courtines	1GAS0015126AC	1740629	1
1554	Clamp ring d.9 (U7434)	2B009000000AA	1766015	8
1626	TC M.6x30 screw	2VV06030000AN	1766840	4
1672	TCCE M.8x50 screw	2VN08050000AZ	1766139	8
2237	Paper collecting curtain	1GTL0019571LG	1766090	1
2247	Lower cross bar frame	0GTX0019581AV	1766064	1
2251	Curtain tubular	1GTU0019589AC	1766307	2
2255	Upper cross bar frame	0GTX0019593BV	1766873	8
*****	<i>Lamp (optional)</i>			
273	Lamp holder	6GPL0016	1766054	1
274	18 W lamp	69LF0001	1766181	1
323	Black trimmer power cord 3x0,75 mm2000	69CC0006K	1766011	2
359	Lamp fixing bracket	1GMM1705969AV	1766388	2

369	Washer d.5	2R005000000AN	1766158	2
371	Washer d.6	2R006000000AZ	1766159	4
687	Lamp holder complete	Q713	1723076	1
1232	Lamp holder complete	Q707	1766390	1
1236	White cable holder	59PS0002	1766904	1
1379	TC M5x12 screw	2VV05010000AZ	1766132	1
1630	TE M.6x12 screw	2VA06012000AZ	1766849	2
1732	Flying black interrupteur	6GIT0013	1766349	2
1733	Wiring for kit optional lamp	6GCA0189	1766908	2
*****	<i>Roll holder (Optional)</i>			
1042	Clamper	1GMP0014814F0	1766269	2
1043	Conical flange	1GMP0014771F0	1766284	1
1044	Rod screw	1GMM0014816AC	1766674	2
1045	Rod	1GSU0014815AC	1766671	2
1047	Handwheel	59VO0004	1766371	1
1048	TE M5x30 Screw	2VA05030000AZ	1766850	2
1649	Roll holder assembly	Q725	1766683	2
2274	Roll holder bar assembly	0GTU0019563AA	1766691	1
2278	Roll holder assembly	Q552P	1766678	1