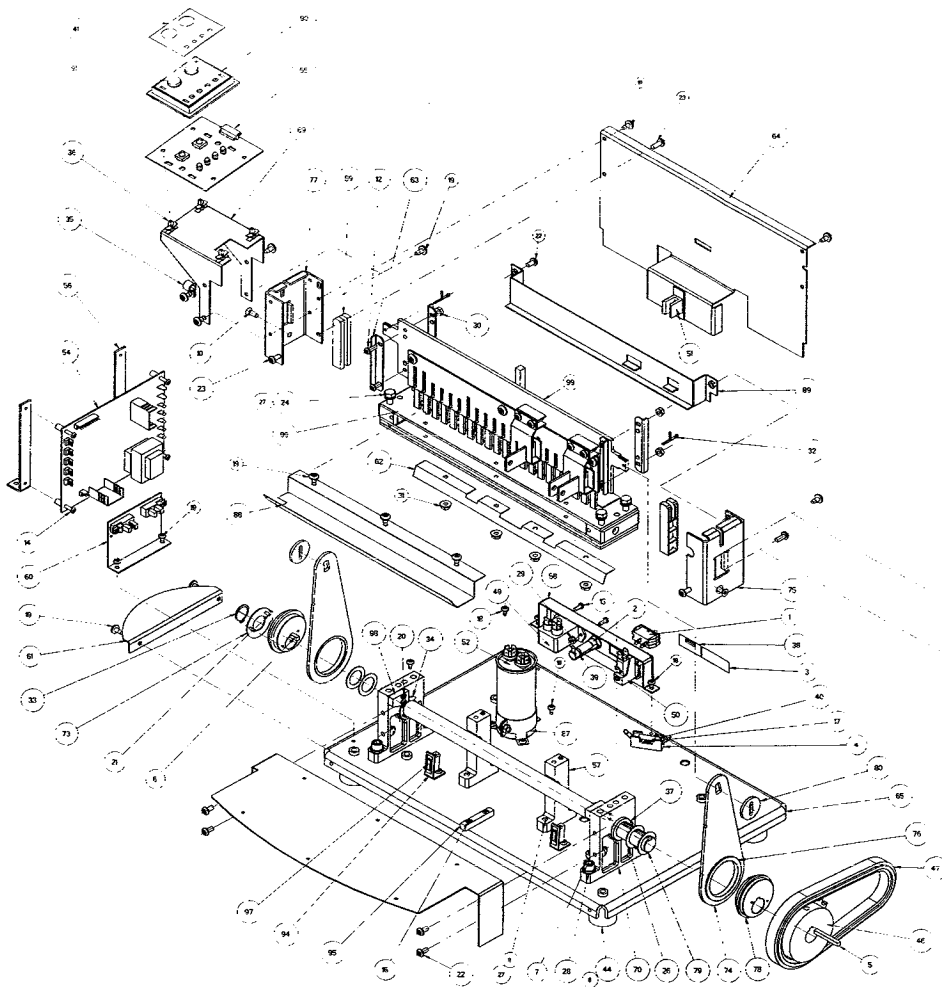
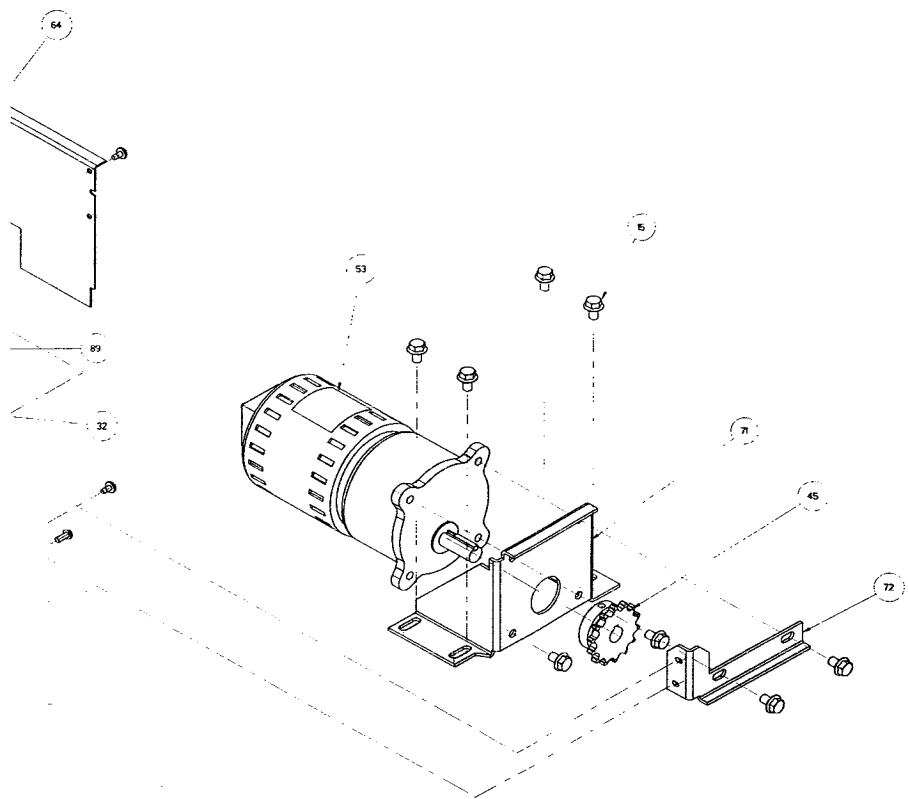


POWER PUNCH





Power Punch Parts List 8-1 (reference Fig. 5.1, 8.1 & 8.2)

Item	Part No.	Description	115V Qt
46	6181007	SPROCKET, PUNCH (21 T)	1
47	6186002	CHAIN	1
48	6192004	OPTICAL SENSOR	3
49	6195001	SOCKET, POWER LINE, RFI FILTER	1
50	6202046	SWITCH, PNEUMATIC	1
51	6202049	SWITCH, TRAY INTERLOCK	1
52	6205030	CAPACITOR, 35uF	1
53	6208054	GEARMOTOR	1
54	7702816	P.C. BOARD ASSY 115VAC	1
55	7702817	PC BOARD, CONTROLS	1
56	7702830	BRACKET, P.C. BOARD	2
57	7702831	DIE SUPPORT	2
58	7702837	BRACKET, ELECTRICAL PANEL	1
59	7702838	SLIDE, NYLATRON	2
60	7702839	BRACKET, OPTICAL SENSOR	1
61	7702840	FILLER, HOUSING	1
62	7702843	CHIP DEFLECTOR	1
63	7702844	GUIDE, PRESSURE BAR	4
64	7702845	STIFFENER, BACK	1
65	7702846	BASE, WELDED	1
66	7702850	BRACKET, FEED TRAY	1
67	7702851	FEED TRAY	1
68	7702852	CHIP TRAY	1
69	7702853	BRACKET, CONTROL PANEL	1
70	7702859	FOOT, DIE SUPPORT	2
71	7702861	BRACKET, GEAR MOTOR	1
72	7702862	BRACE, GEAR MOTOR	1
73	7702863	DISC, ENCODER	1
	7702906	LEFT DRIVE LINK (item 74 & 76)	1
	7702907	RIGHT DRIVE LINK (item 74 & 76)	1
74	REF	ROD, CONNECTING	2
75	7702867	SLIDE SUPPORT, RIGHT	1
76	REF	BUSHING, CONNECTING ROD	2
77	7702869	SLIDE SUPPORT, LEFT	1
78	7702870	CRANK	2
79	7702871	SHAFT	1
80	7702872	SPACER	2
81	7702876	KNOB, EDGE GUIDE	1
82	7702877	INNER SPACER	1
83	7702878	OUTER GUIDE	1
84	7702879	SENSOR GUIDE	1
85	7702880	INDEX WASHER, METAL	1
86	7702881	INDEX WASHER, PLASTIC	1
87	7702885	BRACKET, CAPACITOR	1
88	7702886	DEFLECTOR, FRONT	1
89	7702889	RETAINER, PUNCH PIN	1

Power Punch Parts List 8-1 (reference Fig. 5.1, 8.1 & 8.2)

Item	Part No.	Description	115V Qt
1	1132274	SWITCH, ROCKER	1
2	1132343	FUSE HOLDER	1
3	1132471	LABEL, ON/OFF	1
4	1154338	FUSE HOLDER, 100mAMP	1
5	1852803	KEY 3/16 SQUARE x 1.5	1
6	1852807	KEY 3/16 SQUARE x .5	1
7	1900509	SCREW 5/16-18x1.0 SOCKET HD	4
8	1900510	SCREW 1/4-20 x .75 SOCKET HD	8
9	1901204	SCREW 6-18x5/16	6
10	1902615	SCREW 10-32x5/8 FLAT HEAD	2
11	1902628	SCREW 10-32x1.50 FLAT HEAD	6
12	1902809	SCREW 8-32x1/2 PAN HEAD	4
13	1902818	SCREW 6-32x3/8 PAN HEAD	2
14	1902848	SCREW 6-32x3/4 PAN HEAD	4
15	1903204	SCREW 5/16-18x1/2 FLANGE HEAD	8
16	1907608	SCREW 6-32x1/2 SELF CUT	2
17	1907803	SCREW 6-32x3/8 PAN HD. THD. FRM	1
18	1907808	SCREW 8-32x5/16 THD CUTTING	12
19	1907809	SCREW 10-32x3/8 SELF TAP	12
20	1907811	SCREW 6-32x1/2 PN HD THD CUT	4
21	1907815	SCREW 4-40x5/16 SELF TAP	2
22	1911102	SCREW 10-32x3/8 (SEMS UNIT)	6
23	1911103	SCREW 10-32x1/2 (SEMS UNIT)	4
24	1911201	SCREW 1/4-20x1.5 HX HD SEMS	4
25	1922401	SCREW 8-32x3/8 W/PLASTIC WASH	6
26	1925160	FLAT WASHER, 3/4 ID	4
27	1926002	SPLIT LOCKWASHER 1/4	8
28	1926011	SPLIT LOCKWASHER 5/16	4
29	1926801	NUT, KEPS #6-32	2
30	1926802	NUT, KEPS #8-32	4
31	1926822	NUT #10-32, FLANGE	4
32	1930201	COTTER PIN .094 x 3/4 LONG	2
33	1930521	RETAINING RING 3/4 DIA.	1
34	1930553	RETAINING RING 3/4 DIA.	2
35	1931001	CABLE CLAMP	1
36	1951004	STANDOFF, CONTROL PANEL	4
37	1952032	BUSHING, COLLAR	2
38	1963905	LABEL, FUSE T3A 250V	1
39	1970120	FUSE, 3 AMPS	1
40	1970121	FUSE, 100 mAMPS	1
41	6009200	LABEL, CONTROL PANEL	1
41	6009237	LABEL, CONTROL PANEL PP-30	1
42	6009222	LABEL, EDGE GUIDE	1
43	6009228	LABEL, LOGO	1
44	6176018	RUBBER FOOT	4
45	6181006	SPROCKET, MOTOR (14 T)	1

Power Punch Parts List 8-1 (reference Fig. 5.1, 8.1 & 8.2)

Item	Part No.	Description	115V Qt
90	7702894	BEZEL, P.C. BOARD	1
91	7702895	BUTTON, SWITCH	2
92	7702896	STRIKE PLATE, DOOR	3
93	7702897	MAGNET, DOOR	1
94	7702898	BRACKET, MAGNET	2
95	7702899	GUIDE, CHIP TRAY	1
96	7702904	MAGNETIC STRIP	1
97	7702905	MAGNET, CHIP TRAY	2
98	7702911	GUIDE BLOCK	2
99	7702912	PUNCH PARTS PB	1
100	7702913	HOUSING ASSEMBLY PB	1
101	1907811	SCREW 6-32X1/2 PAN HD. THDCUT	4
102	1956945	L & T ASSY - BLUE	1
103	1956946	L & T ASSY - BLACK	2
104	1956947	L & T ASSY - RED	1
105	1956948	L & T ASSY - GRN/YEL	1
106	1956981	L & T ASSY - BLUE	1
107	1957452	L & T ASSY - WHITE	1
108	1957706	L & T ASSY - BLK/YEL	1
109	1961503	LUBRIPLATE	.01
110	1932121	WIRE TIE	4
111	7702903	HARNESS	2
112	7702890	HARNESS, HOME SENSOR	1
113	7702891	HARNESS, AUTO PUNCH SENSOR	1
114	7702892	HARNESS, DOWN SENSOR	1
115	7702893	HARNESS, CONTROL PANEL	1
116	1956944	L & T ASSY. - GRN/YEL	1
117	7702815	SYSTEM SCHEMATIC 115VAC	1

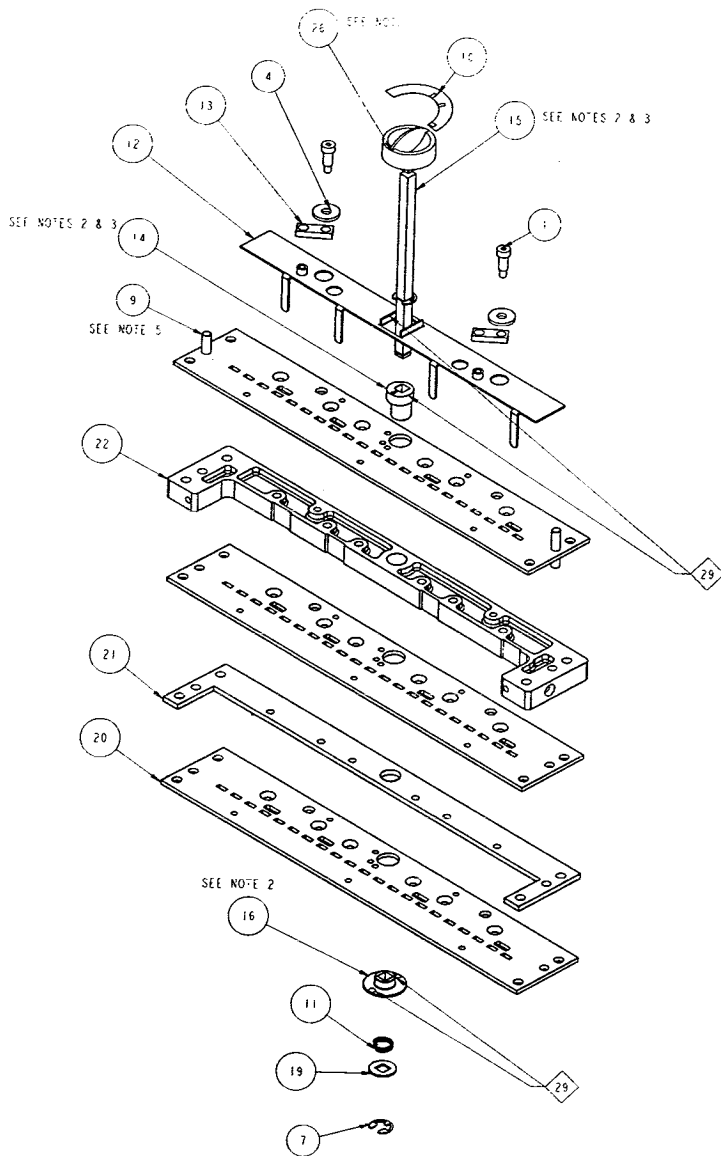


Fig 8-2

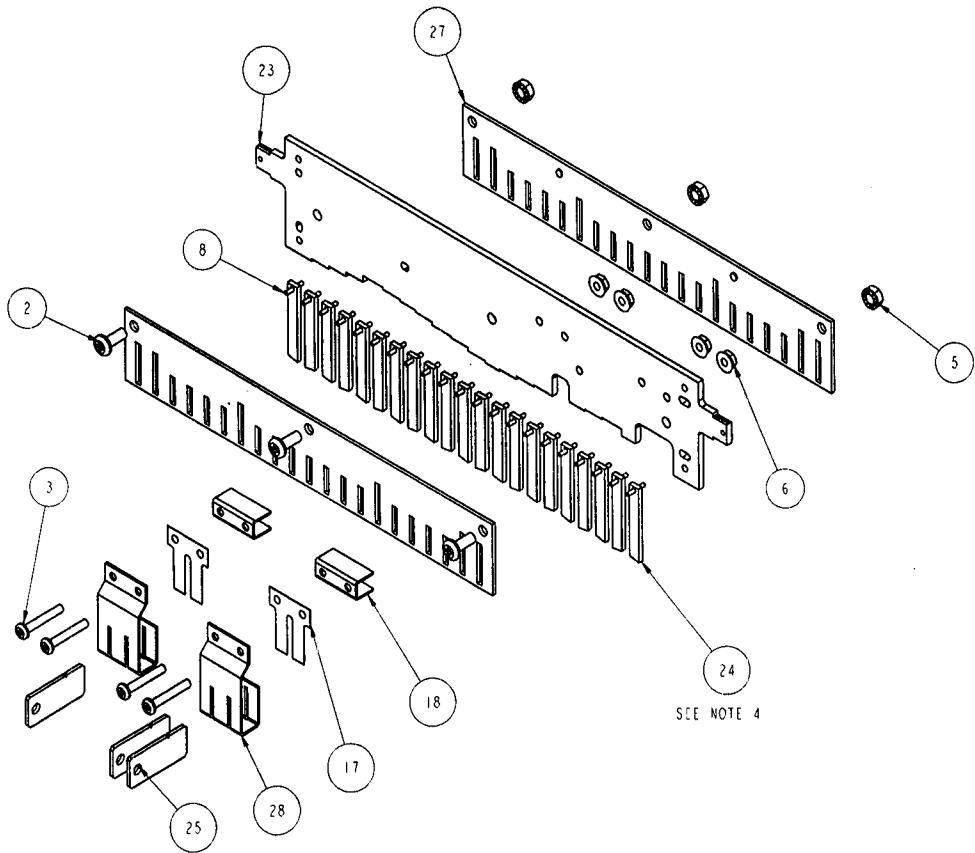
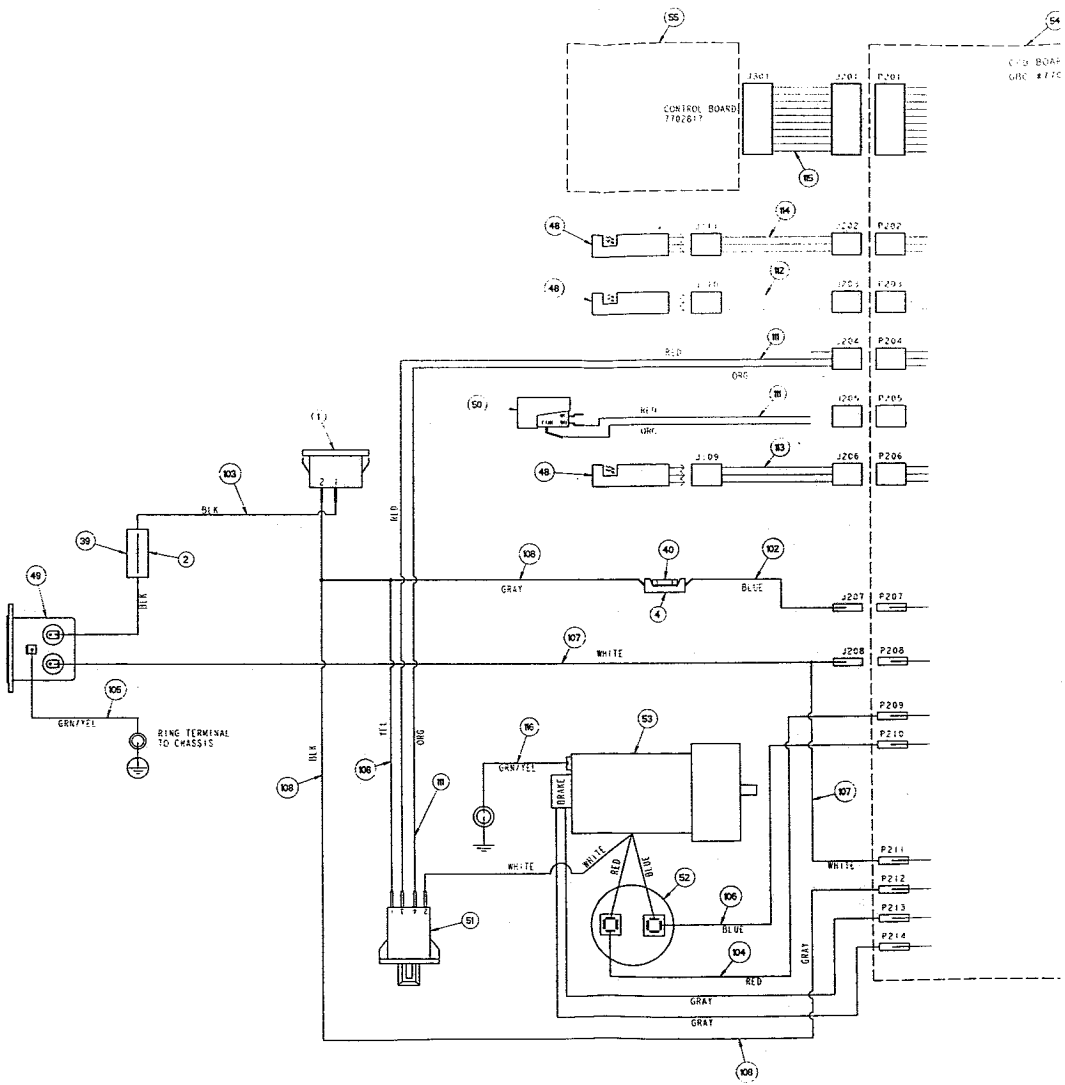


Fig 8.2

Power Punch Parts List 8-2 (reference Fig. 8.3 & 8.4)

Item	Part No.	Description	1:15v Qt
1	1900827	SCREW, SHLDR. 10-24x.500	2
2	1902801	SCREW 1/4-20x5/8, PAN HEAD	3
3	1902826	SCREW 10-32x1.25 PAN HEAD	4
4	1925038	FLAT WASHER	2
5	1926805	NUT, KEPS, 1/4-20	3
6	REF	NUT #10-32, FLANGE	4
7	1930516	RETAINING RING	2
8	REF	SPIROL PIN .094 x 9/16	21
9	REF	DOWEL PIN 1/4 x 1-1/4	2
10	6009227	LABEL, BACK GAUGE	1
11	REF	SPRING, BACK GAGE	1
12	7702832	BACK GAGE	1
13	7702833	LINKAGE, BACK GAGE	2
14	7702834	CAM, BACK GAGE	1
15	7702835	SHAFT, BACK GAGE	1
16	7702836	LOCK, BACK GAGE	1
17	7702841	SPRING, SELECTOR PIN	2
18	7702842	SPACER, SELECTOR PIN	2
19	7702848	WASHER, BACK GAGE	1
	7702908	DIE PLATE ASSY. PB Version INCLUDES ITEMS 20, 21, 22, 9, 11, 6	1
20	REF	DIE PLATE	3
21	REF	LOWER SPACER	1
22	REF	UPPER SPACER	1
23	7702860	PRESSURE BAR	1
	7702909	PUNCH PIN ASSY. PB version INCLUDES ITEMS 24 & 8 (21 ea.)	21
24	REF	PUNCH, RECT. MEDIUM	21
25	7702873	PIN, SELECTOR	3
26	7702882	KNOB, BACK GAGE	1
27	7702884	STRIPPER	2
28	7702888	GUIDE, SELECTOR PIN	2
29	1961503	LUBRIPLATE	.01



C-10 BOAF
 GRC #170