

# Engineer Note

Version A.2

**Pouch master Pro**



TEX YEAR INDUSTRIES INC.

2005/04/11

**POUCH MASTER Pro Service menu**

2005/04/11

**PARTS LIST**

Version A.2

No.	DESCRIPTION	PART NUM.	COST	QTY
1	VENT PIECE	24300215C	1.5	1
2	TOP HOUSING	24300214C	6.5	1
3	LEAD WIRE (IRRADIANCE)	2A37076C	0.8	1
4	HEAT SHIELD	24500076C	1	1
5	HEATING ELEMENT ASSEMBLY (TOP)	2A37048C	2.5	1
6	LEFT SIDE PLATE (TOP)	24300210C	1	1
7	GEAR 8T	26700019C	0.4	4
8	E CLIP	26100059C	0.1	6
9	FUSE FIXTURE	24500066C	0.2	1
10	THERMAL FUSE	24700277C	0.6	1
11	LEFT SIDE PLATE (BOTTOM)	24300211C	1.5	1
12	CLEAN METAL	24500072C	1	8
13	REAR ROLLER	24400011C	5.5	2
14	MID. PLATE (TOP)	24500116C	0.5	1
15	MID. PLATE (BOTTOM)	24500117C	0.6	1
16	FRONT ROLLER	24400010C	6	2
17	HEATING ELEMENT ASSEMBLY (BOTTOM)	2A37049C	3	1
18	EMI CORE	24700166C	0.8	1
19	LEAD WIRE (NTC)	24700153C	0.8	1
20	TERMINAL BLOCK WIRE (HEAT)	24700093C	1.2	1
21	ENTRANCE PLATE	24500073C	1	1
22	LEAD WIRE (SLEEP)	24700243C	0.3	1
23	LEAD WIRE ( / )	24700154C	0.2	1
24	LEAD WIRE (RECEIVING)	2A37077C	0.75	1
25	TRANSFORMER 230V	24700160C	3.3	1
26	MAIN PC BOARD	2A37042C	7.2	1
27	EXIT SUPPORT PLATE	24300317	2.1	1
28	LCD MONITOR COVER	24300216C	0.76	1
29	MYLAR	24700169C	0.3	1
30	CONTROL PCB (LCD)	2A37083C	4	1
31	KEY PAD	24400012C	1	1
32	LEAD WIRE (LCD)	24700095C	1	1
33	LEAD WIRE (REVERSE)	24700267C	0.2	1
34	EXIT PLATE	24500118C	1.2	2
35	SCREW	26100076	0.1	4
36	ROLLER COIL SPRING	26500026C	0.15	4
37	RIGHT SIDE PLATE (TOP)	24300212C	1	1
38	RIGHT SIDE PLATE (BOTTOM)	24300213C	1.5	1
39	GEAR 36T	24700102C	1	2
40	GEAR 11T	24700165C	0.9	1
41	MOTOR FIXTURE	24500070C	1	1
42	PROTECTION COVER (MOTOR)	24500074C	0.5	1
43	MOTOR	24700161C	35	1
44	EMI CORE	24700167C	0.5	1

**POUCH MASTER Pro Service menu**

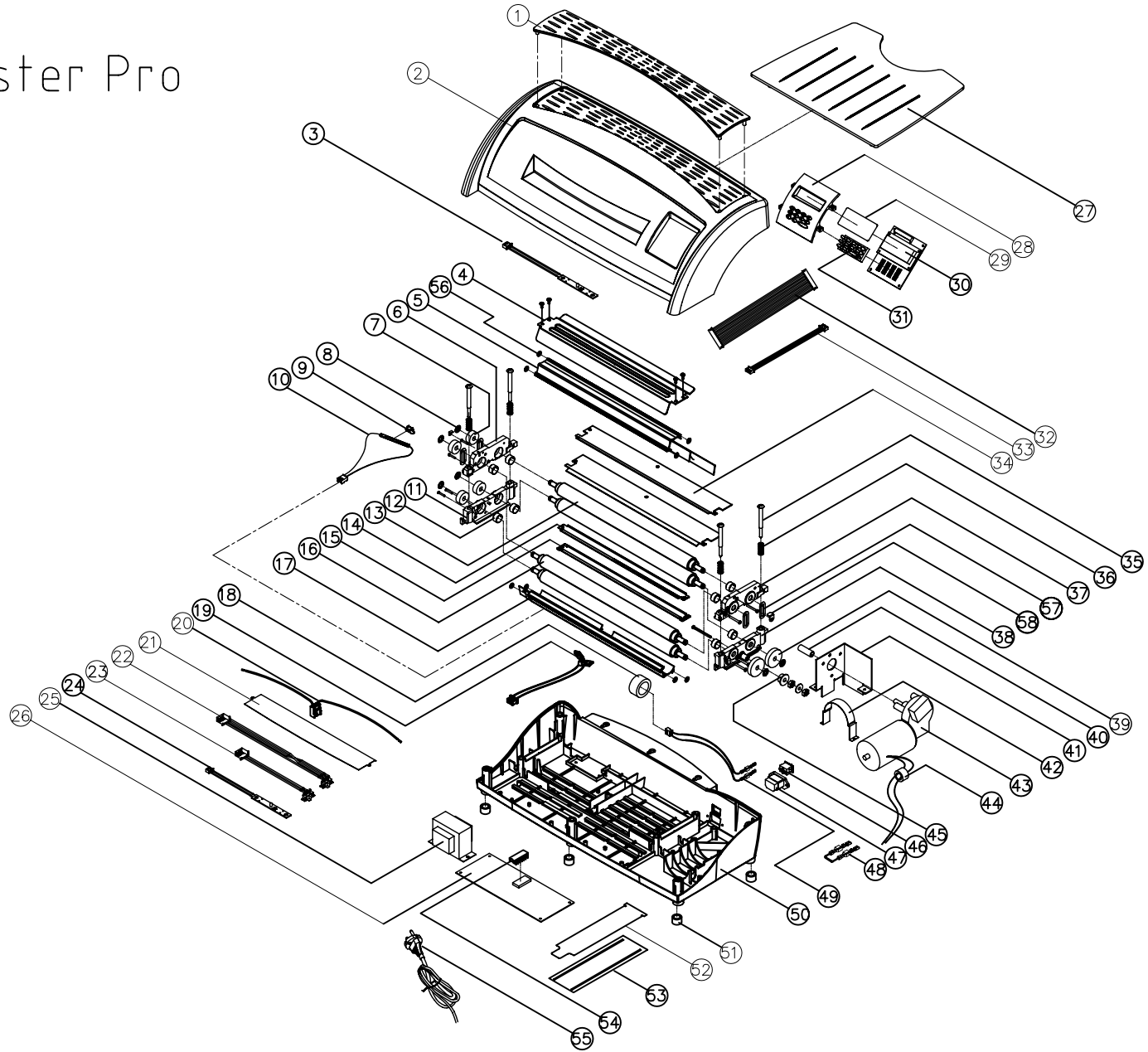
2005/04/11

**PARTS LIST**

Version A.2

<b>No.</b>	<b>DESCRIPTION</b>	<b>PART NUM.</b>	<b>COST</b>	<b>QTY</b>
45	GEAR 16T	26700018C	0.8	1
46	POWER SWITCH	24700094C	0.9	1
47	INLET	24700060	0.6	1
48	LEAD WIRE (POWER 1)	24700133C	0.2	1
49	LEAD WIRE (POWER 2)	24700155C	0.5	1
50	BOTTOM HOUSING	24300160C	6.6	1
51	RUBBER FOOT	26400010C	0.1	8
52	LMINATION GUIDE	24200301C	1.2	1
53	LMINATION GUIDE SUPPORT	24200148C	1.2	1
54	IC CHIP	24600124	2.5	1
55	POWER CORD CE	24100038C	3	1
56	MICA WASHER	26700038C	0.1	8
57	FIXED PIECE (RUNWAY)	26500029C	0.15	4
58	FIXED PIECE (L TYPE)	26500030C	0.1	2
59	POWER CORD SWISS	24100056C	3	1
60	POWER CORD UK	24100055C	5.5	1
61	POWER CORD AU	24100085C	5.5	1
62	Shippable Box	24200132C	2	1
63	Poly form (Top)	24200135C	1.8	1
64	Poly form (Bottom)	24200136C	1.8	1
65	Instruction Manual	26200261C	1.2	1

# Pouch Master Pro



W210-01A 1.0



TEX YEAR INDUSTRIES INC.

REV.	DESCRIPTION	CHANGE BY	APPD. BY	MODEL	PouchmasterPro	TITLE	Explosion	DWG. NO.	PouchmasterPro Explosion
				DRAWND BY	Stevenc	SIZE		MATERIAL	N/A
				DESIGND BY	Stevenc	APPD. BY	Kavinlin	VERSION	A.2

SCALE	N/A	UNIT	N/A
-------	-----	------	-----