



PL140IC, PL260IC, & PL330IC Parts List



GBC IS AN ACCO BRANDS COMPANY

PL 140,260,330 IC PARTS LIST

If heater assembly is black, it is obsolete.
New heaters are silver gray.

FIGURE 1

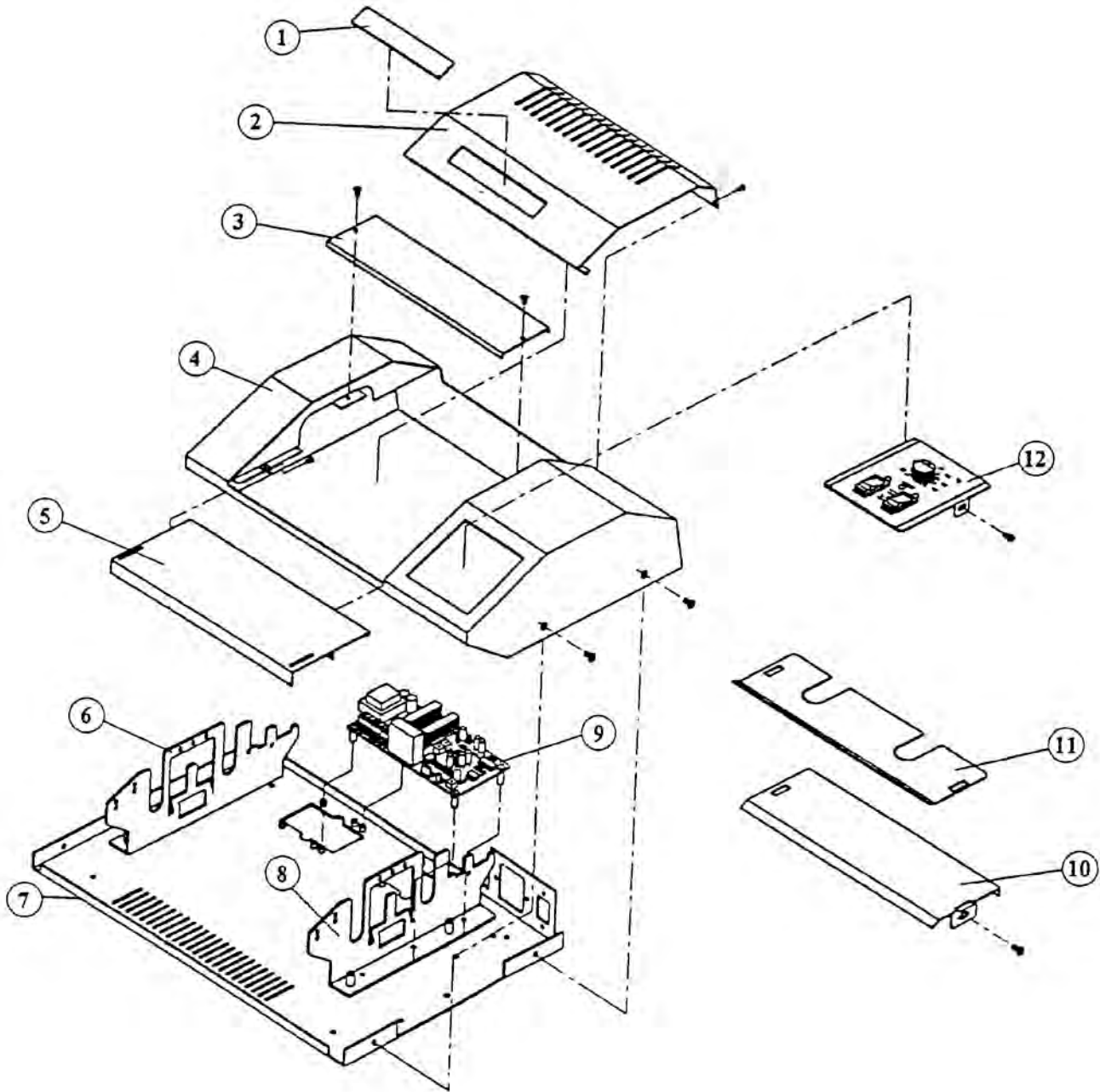


FIGURE 1

ITEM	GBC P/N	DESCRIPTION	QTY
1	1701000	PL-140IC NAMEPLATE	1
1	1701001	PL-260IC NAMEPLATE	1
1	1701002	PL-330IC NAMEPLATE	1
2	1701003	PL-140 TOP COVER	1
2	1701004	PL-260 TOP COVER	1
2	1701005	PL-330 TOP COVER	1
3	1701006	PL-140 HEAT INSULATOR	1
3	1701007	PL-260 HEAT INSULATOR	1
3	1701008	PL-330 HEAT INSULATOR	1
4	1701009	PL-140 UPPER HOUSING	1
4	1701011	PL-260 UPPER HOUSING	1
4	1701012	PL-330 UPPER HOUSING	1
5	1701013	PL-140 FRONT PLATE	1
5	1701014	PL-260 FRONT PLATE	1
5	1701015	PL-330 FRONT PLATE	1
6	1700538	SIDE PANEL,LEFT	1
7	1701016	PL-140 BASE	1
7	1701017	PL-260 BASE	1
7	1701018	PL-330 BASE	1
8	1700539	SIDE PANEL, RIGHT	1
9	1701019	MAIN PCB	1
10	1701020	PL-140 REAR PLATE	1
10	1701021	PL-260 REAR PLATE	1
10	1701022	PL-330 REAR PLATE	1
11	1701023	PL-140 EXIT PLATE	1
11	1701024	PL-140 EXIT PLATE	1
11	1701025	PL-140 EXIT PLATE	1
12	1701026	SWITCH PLATE ASSEMBLY	1

FIGURE 2

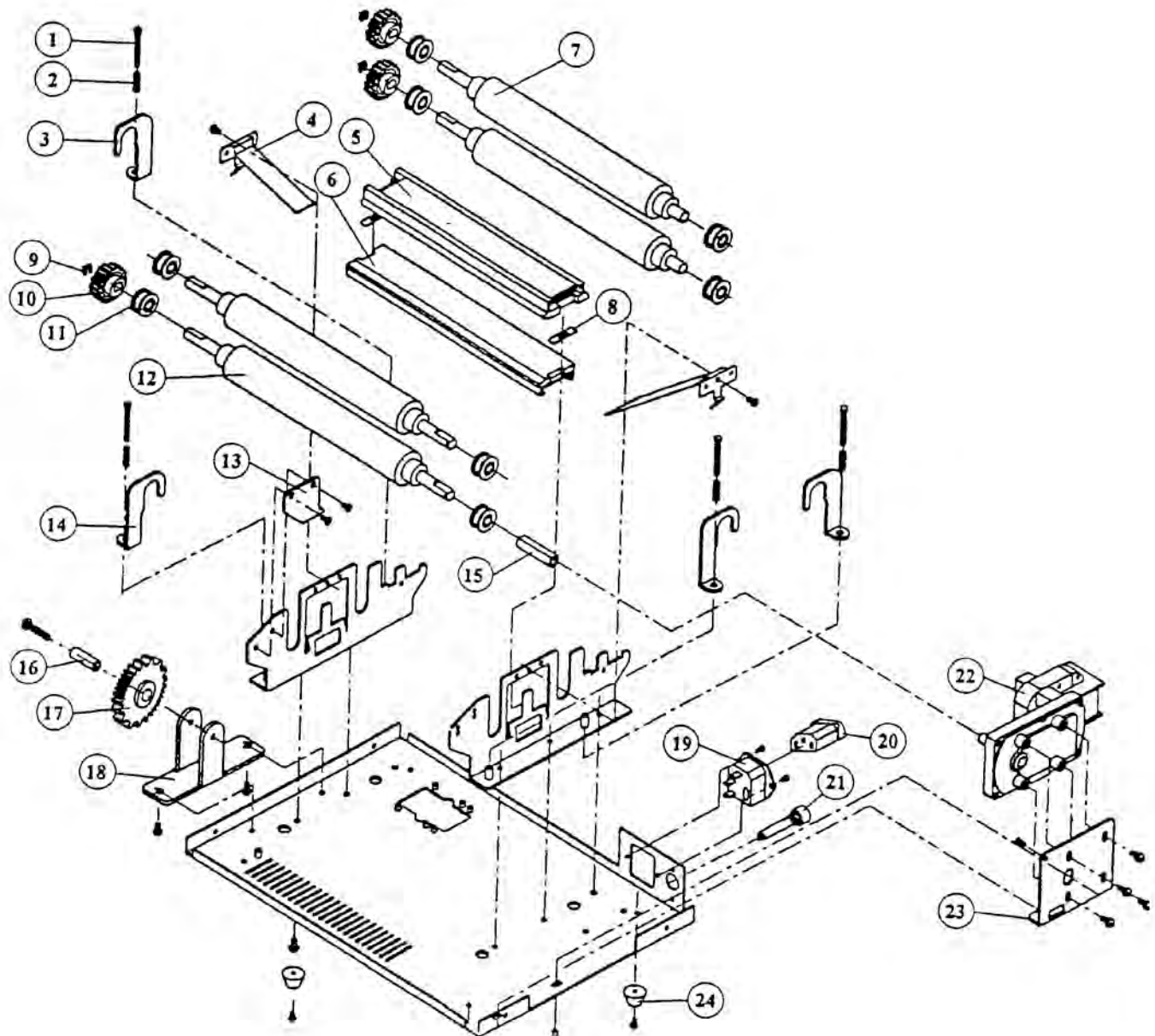


Figure 2

ITEM	GBC P/N	DESCRIPTION	QTY
1	1700627	SHOULDER BOLT, ROLLER TENSION	4
2	1700484	ROLLER SPRING	4
3	1700624	ROLLER HOOK (L) FRONT(R) REAR	2
4	1700542	HEATER PLATEN SPRING	2
5	1701027	PL-140, UPPER HEATER ASS'Y	1
5	1701028	PL-260, UPPER HEATER ASS'Y (Sensor is part of assembly)	1
5	1701029	PL-330, UPPER HEATER ASS'Y	1
6	1701030	PL-140, LOWER HEATER ASS'Y	1
6	1701031	PL-260, LOWER HEATER ASS'Y	1
6	1701032	PL-330, LOWER HEATER ASS'Y	1
7	1701033	PL-140, REAR ROLLER	2
7	1701034	PL-260, REAR ROLLER	2
7	1701035	PL-330, REAR ROLLER	2
8	1700545	HEATER SPACER	2
9	1700633	E-RING	4
10	1700634	SPUR GEAR	3
11	1700635	ROLLER BUSHING	8
12	1701036	PL-140, FRONT ROLLER	2
12	1701037	PL-260, FRONT ROLLER	2
12	1701038	PL-330, FRONT ROLLER	2
13	1701039	FRONT ROLLER SUPPRESSOR	1
14	1700625	ROLLER HOOK (L)FRONT (R) REAR	2
15	1701040	COUPLING	1
16	1700775	SPACER, IDLER GEAR	1
17	1700774	IDLER GEAR	1

Figure 2

ITEM	GBC P/N	DESCRIPTION	QTY
18	1700628	IDLER GEAR BRACKET	1
19	1701041	RECEPTACLE	1
20	1700649	POWER CORD (120V)	1
21	1701042	FUSEHOLDER	1
22	1701043	PL-140, AC GEARMOTOR ,120V	1
22	1701044	PL-260,330 AC GEARMOTOR,120V	1
23	1701045	MOTOR BRACKET	1
24	1700683	RUBBER FOOT	4