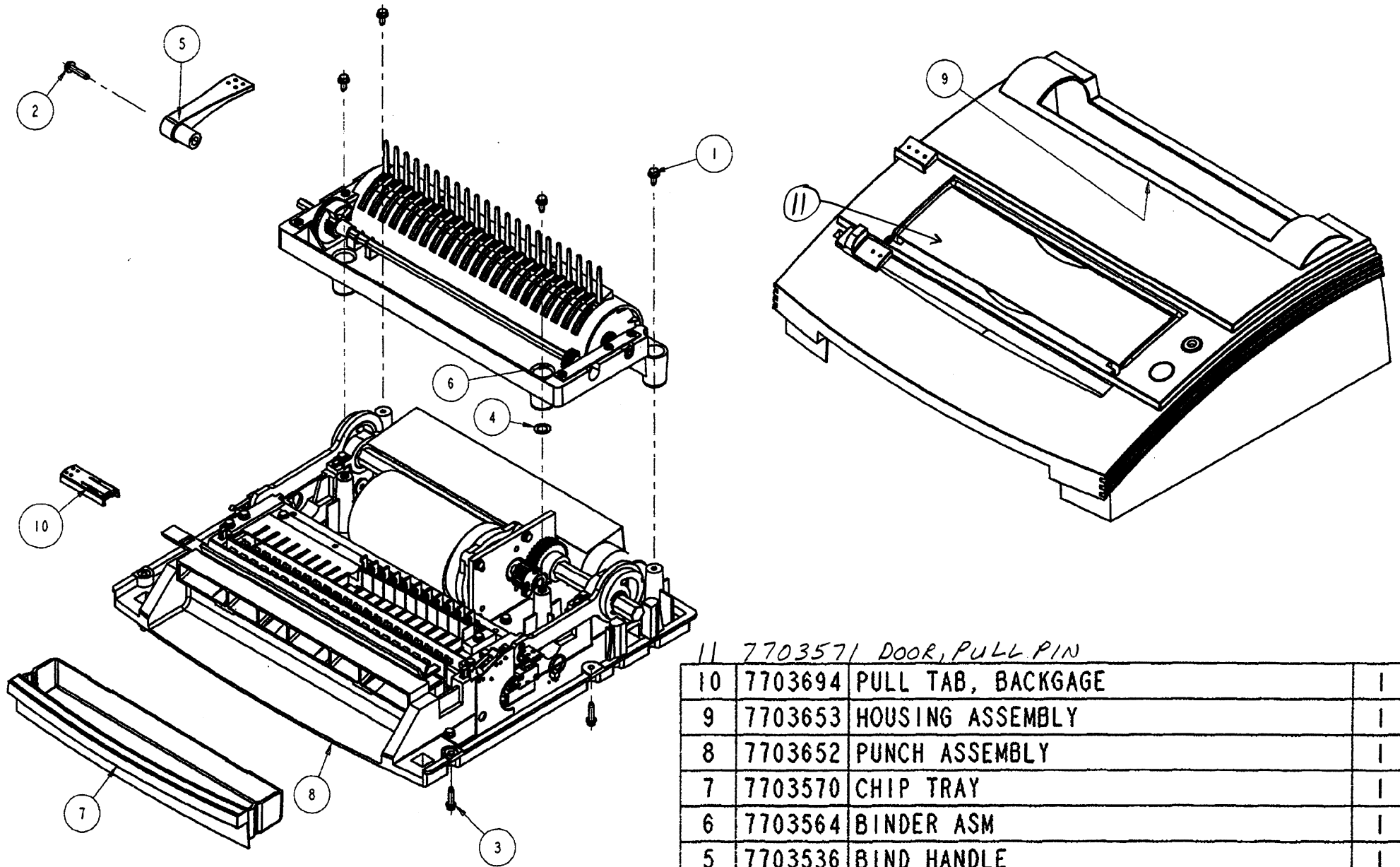




P400 Parts List

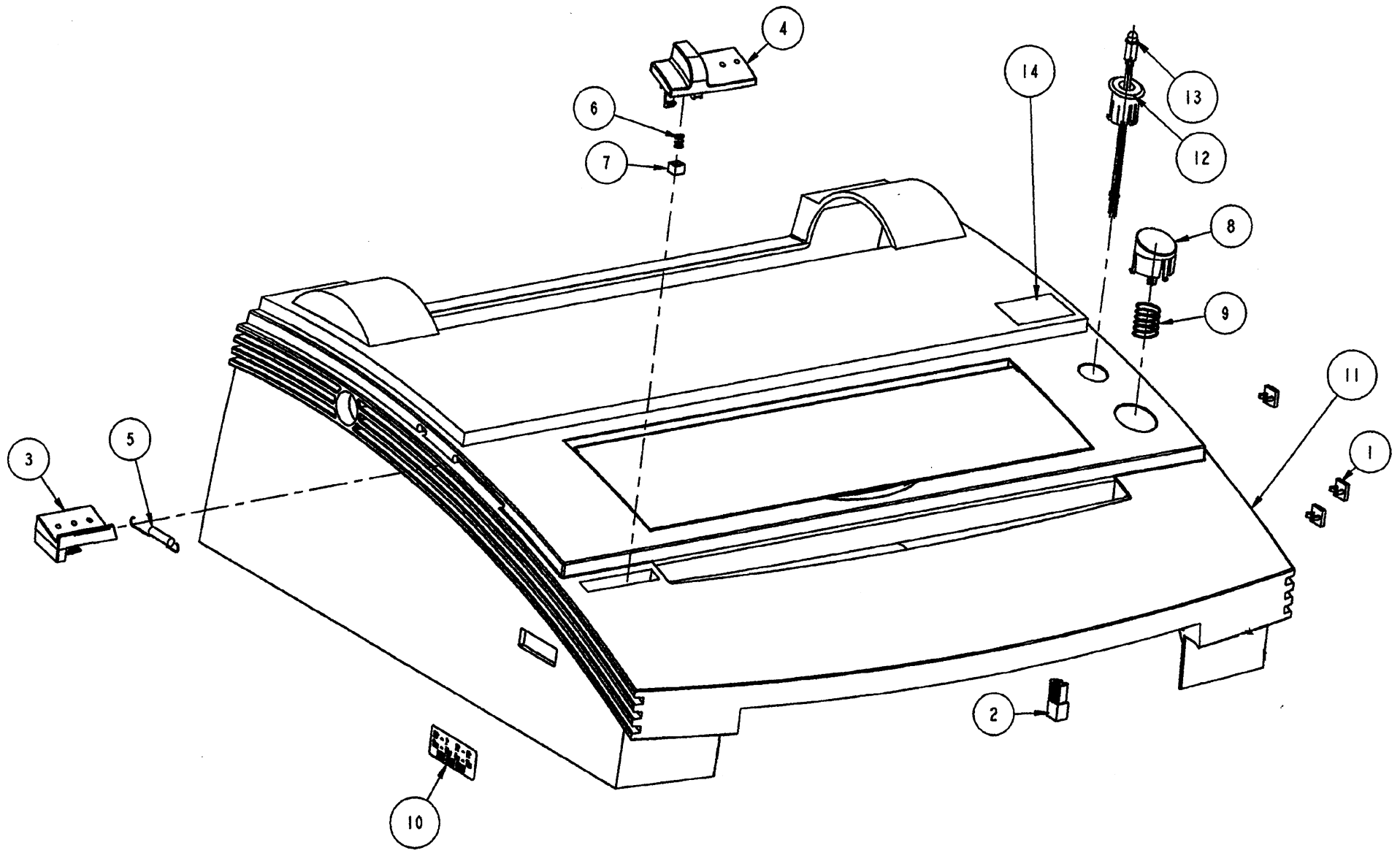


GBC IS AN ACCO BRANDS COMPANY

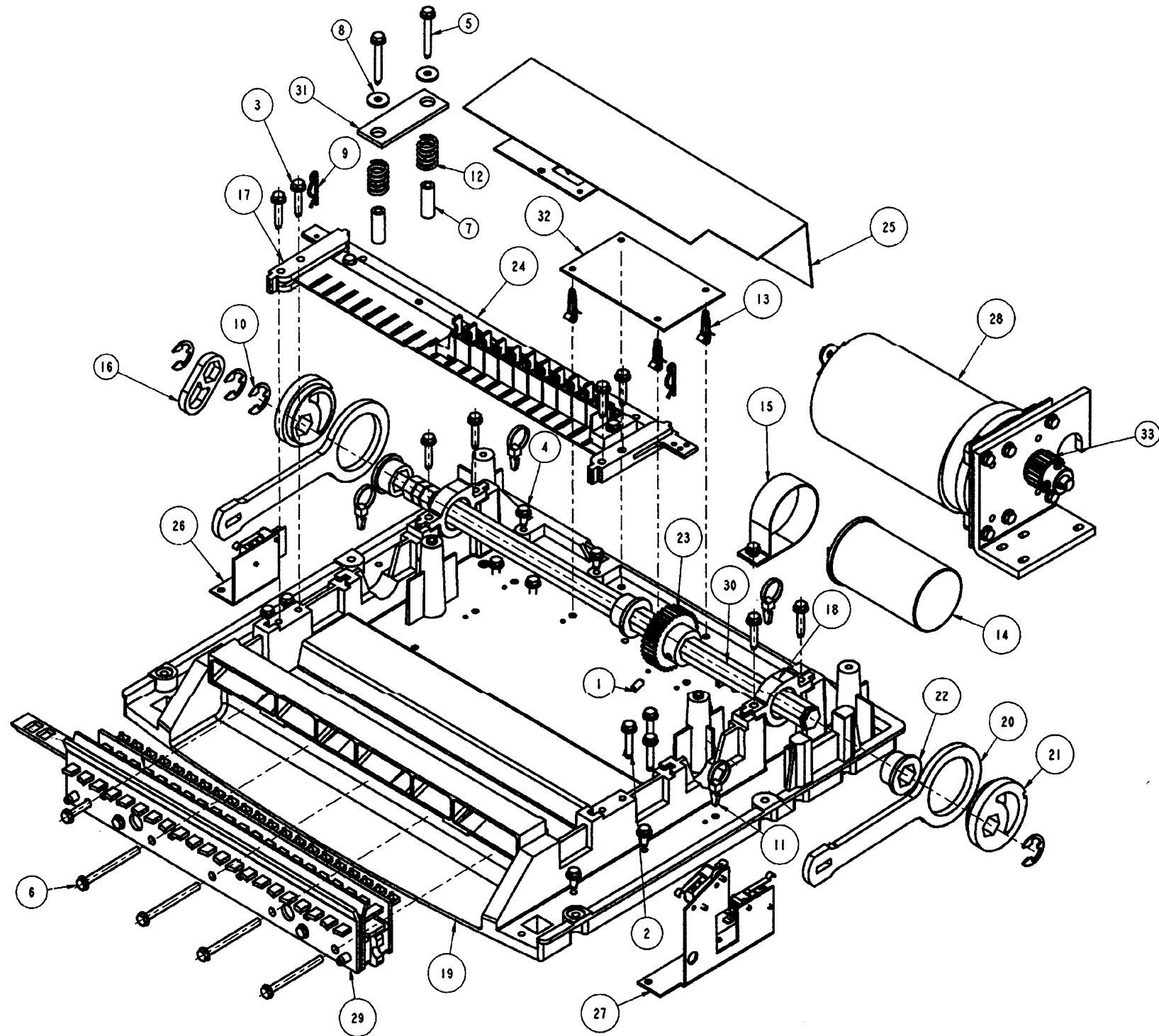


11 7703571 DOOR, PULL PIN

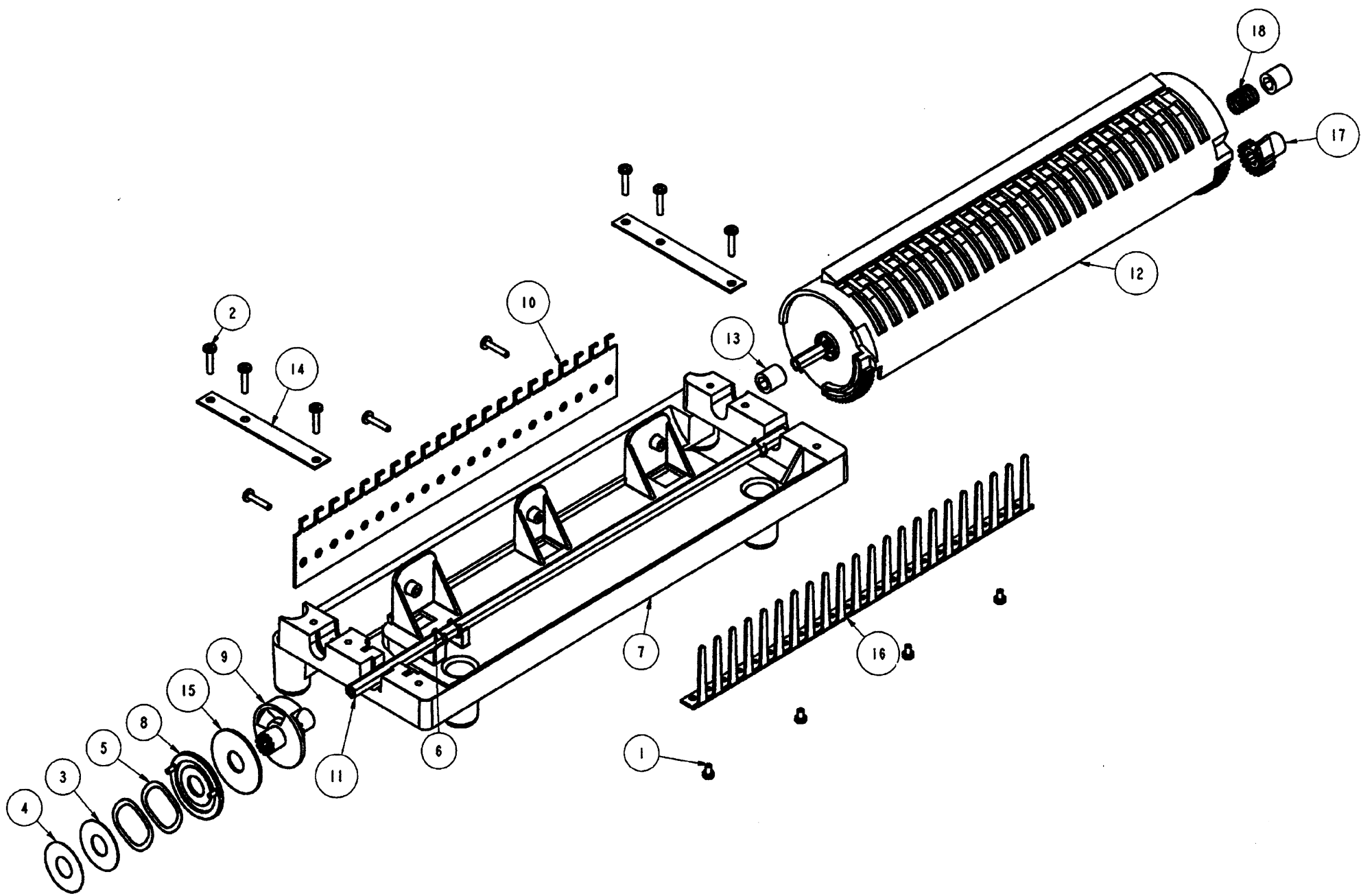
10	7703694	PULL TAB, BACKGAGE	1
9	7703653	HOUSING ASSEMBLY	1
8	7703652	PUNCH ASSEMBLY	1
7	7703570	CHIP TRAY	1
6	7703564	BINDER ASM	1
5	7703536	BIND HANDLE	1
4	1925140	WASHER	1
3	1911001	10-32 X 3/4 SEMS WSH SKT HD SCR	4
2	1907406	10-32X1 SEMS HX WSH HD SCR	1
1	1907105	10-32x1/2 SEMS HX WSH HD TAP SCR	4
ITEM	PART NO.	DESCRIPTION	QTY.



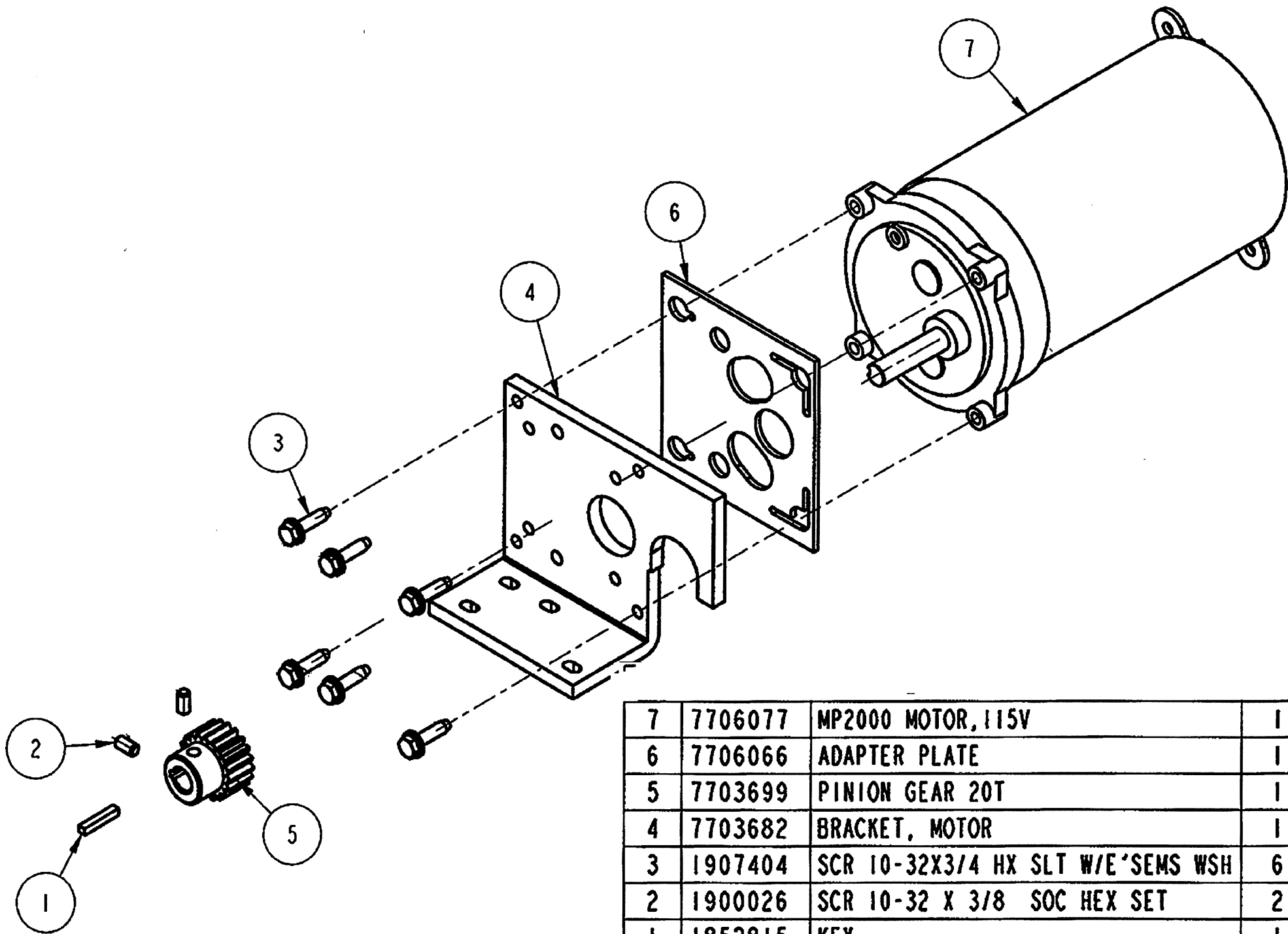
14	7703656	LABEL-JAM STOPPER	1
13	7703698	LED ASSEMBLY	1
12	7703697	HOLDER, LED	1
11	7703695	HOUSING, FINISHED	1
10	7703677	LABEL, BACKGAGE	1
9	7703629	SPRING_PUNCH SWITCH BUTTON	1
8	7703628	PUNCH SWITCH BUTTON	1
7	7703578	SLIDE, EDGE GUIDE	1
6	7703577	SPRING, EDGEGUIDE	1
5	7703575	SPRING, BINDER SIZER	1
4	7703574	EDGE GUIDE	1
3	7703573	BINDER SIZER	1
2	1951308	ELECTRIC CONNECTOR	1
1	1931051	CABLE CLAMP	3
ITEM	PART NO.	DESCRIPTION	QTY.



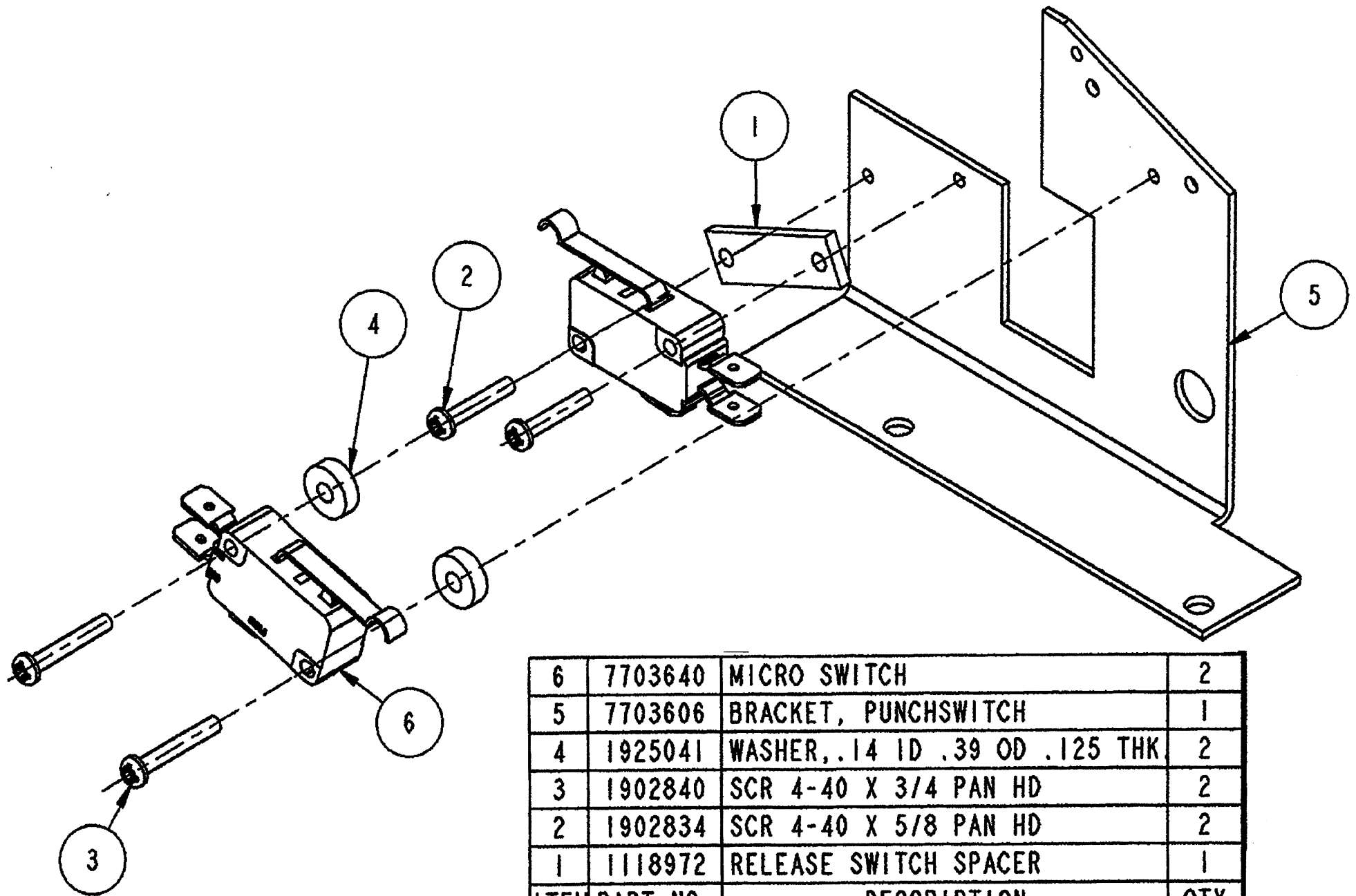
32	7706114	P.C.B. ASSY. 115V	1
31	7706065	BRACKET, STOP	1
30	7706057	SHAFT, DRIVE	1
29	7703684	DIESET ASSEMBLY	1
28	7703676	MOTOR ASM-115 V	1
27	7703666	PUNCH BRACKET ASM.	1
26	7703665	REVERSE BRACKET ASM.	1
25	7703664	POWER BRACKET ASM.	1
24	7703663	PRESSURE BAR ASM.	1
23	7703631	DRIVE GEAR 35T	1
22	7703548	BEARING	3
21	7703547	ECCENTRIC	2
20	7703544	CONNECTING LINK	2
19	7703542	BASE, PUNCH	1
18	7703541	BEARING CAP	2
17	7703540	SLIDE	2
16	7301217	CAM, RELEASE	1
15	6205042	CAPACITOR BRACKET, 50mm	1
14	6205040	CAPACITOR, MOTOR 40mf	1
13	1951003	P.C.B. SUPPORT	4
12	1935210	SPRING COMP .600 OD X .88 LG	2
11	1932123	WIRE TIE	4
10	1930554	E-CLIP	4
9	1930251	HAIR PIN CLIP	2
8	1925044	WASHER FLAT .625 OD X .062 THK	2
7	1924811	SPACER .375 OD X 1.0 LG	2
6	1907411	SCR 10-32x2 1/4 SEMS HX WSH HD MACH	5
5	1907107	SCR 10-32x1/2 SEMS HX WSH HD TAP	2
4	1907105	SCR 10-32x1/2 SEMS HX WSH HD TAP	9
3	1907103	SCR 10-32x1 SEMS HX WSH HD TAP	8
2	1907102	SCR 10-32 X 11/16 HX WSH HD TAP	4
1	1900026	SCR 10-32 X 3/8 SOC HEX SET	1
ITEM	PART NO.	DESCRIPTION	QTY.



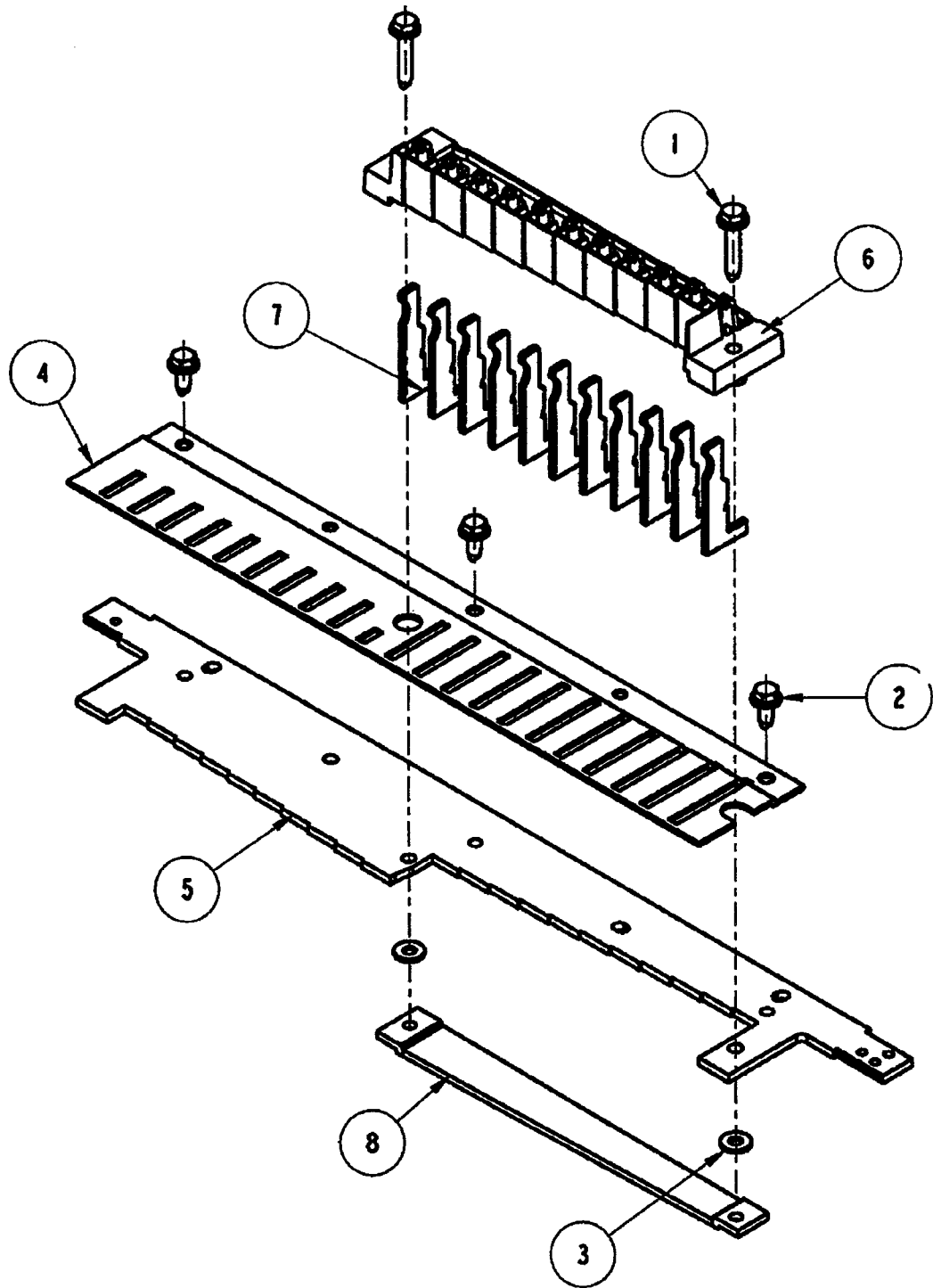
18	7703629	SPRING_PUNCH SWITCH BUTTON	1
17	7703581	IDLER GEAR	1
16	7703576	COMB	1
15	7703566	FRICTION DISC	1
14	7703563	STRAP	2
13	7703562	GUIDE BEARING	2
12	7703560	SHROUD	1
11	7703558	DRIVE GEAR SHAFT	1
10	7703557	HOOK PLATE	1
9	7703556	CAM GEAR	1
8	7703555	FRICTION PLATE	1
7	7703554	BIND BASE	1
6	1930514	E-CLIP	3
5	1926510	WAVY WASHER	2
4	1925159	WASHER	1
3	1925158	WASHER	1
2	1901206	8-16 SCREW, THREAD ROLLING	9
1	1901202	SCR 6-18 X 1/4 PHILL PAN HD	4
ITEM	PART NO.	DESCRIPTION	QTY.



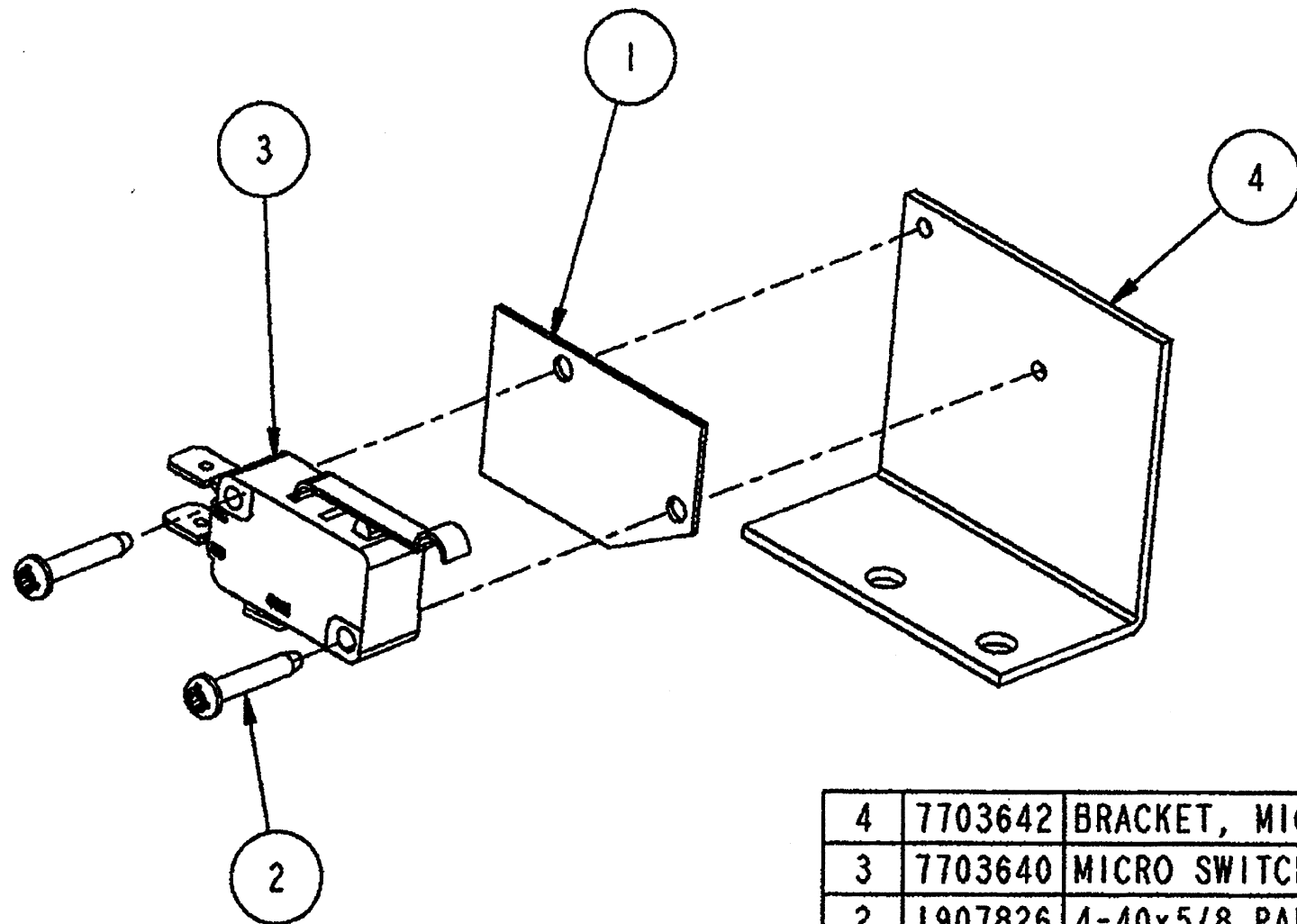
7	7706077	MP2000 MOTOR, 115V	1
6	7706066	ADAPTER PLATE	1
5	7703699	PINION GEAR 20T	1
4	7703682	BRACKET, MOTOR	1
3	1907404	SCR 10-32X3/4 HX SLT W/E'SEMS WSH	6
2	1900026	SCR 10-32 X 3/8 SOC HEX SET	2
1	1852815	KEY	1
ITEM	PART NO.	DESCRIPTION	QTY.



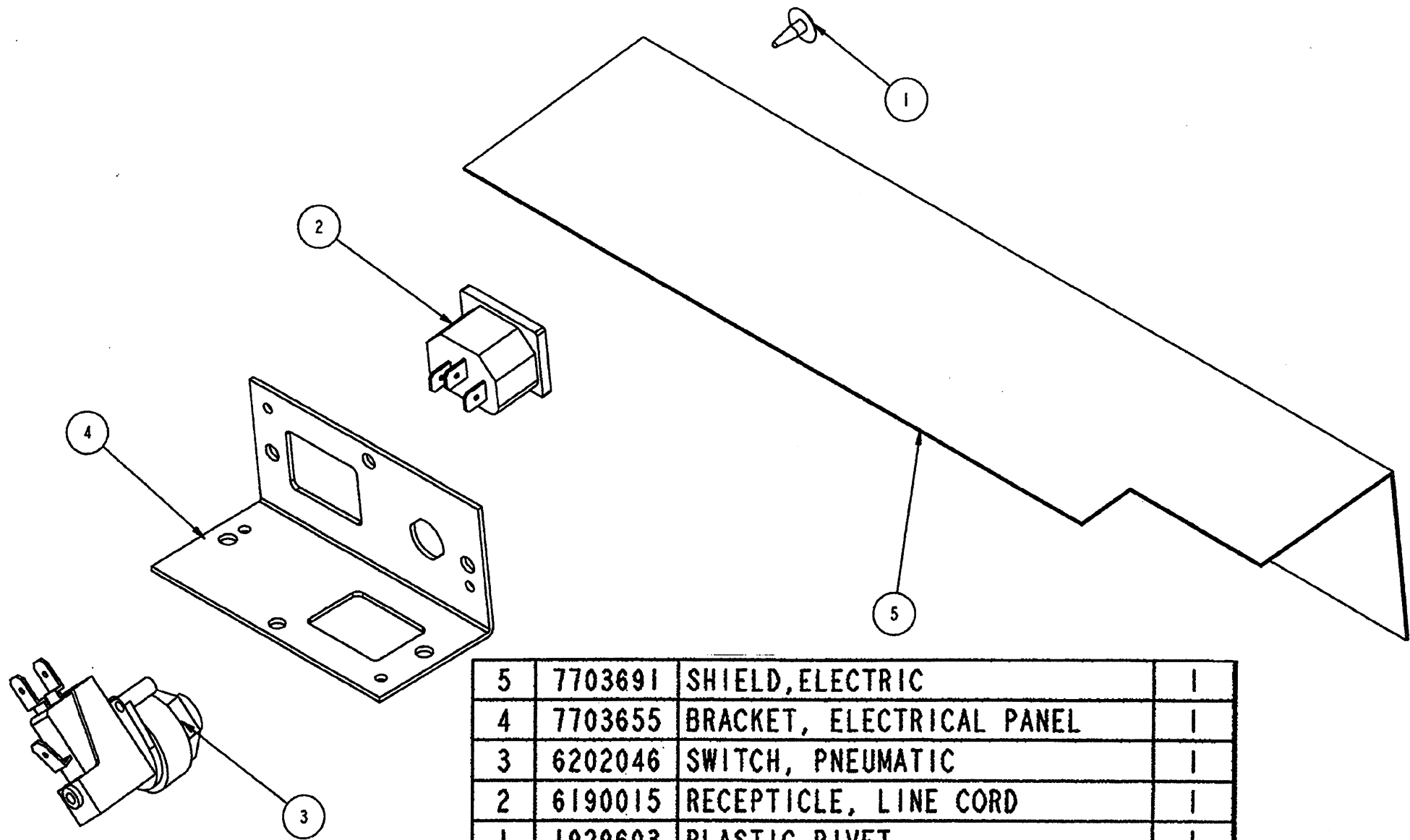
6	7703640	MICRO SWITCH	2
5	7703606	BRACKET, PUNCHSWITCH	1
4	1925041	WASHER, .14 ID .39 OD .125 THK	2
3	1902840	SCR 4-40 X 3/4 PAN HD	2
2	1902834	SCR 4-40 X 5/8 PAN HD	2
1	1118972	RELEASE SWITCH SPACER	1
ITEM	PART NO.	DESCRIPTION	QTY.



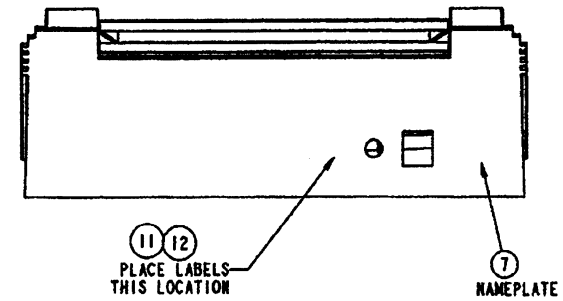
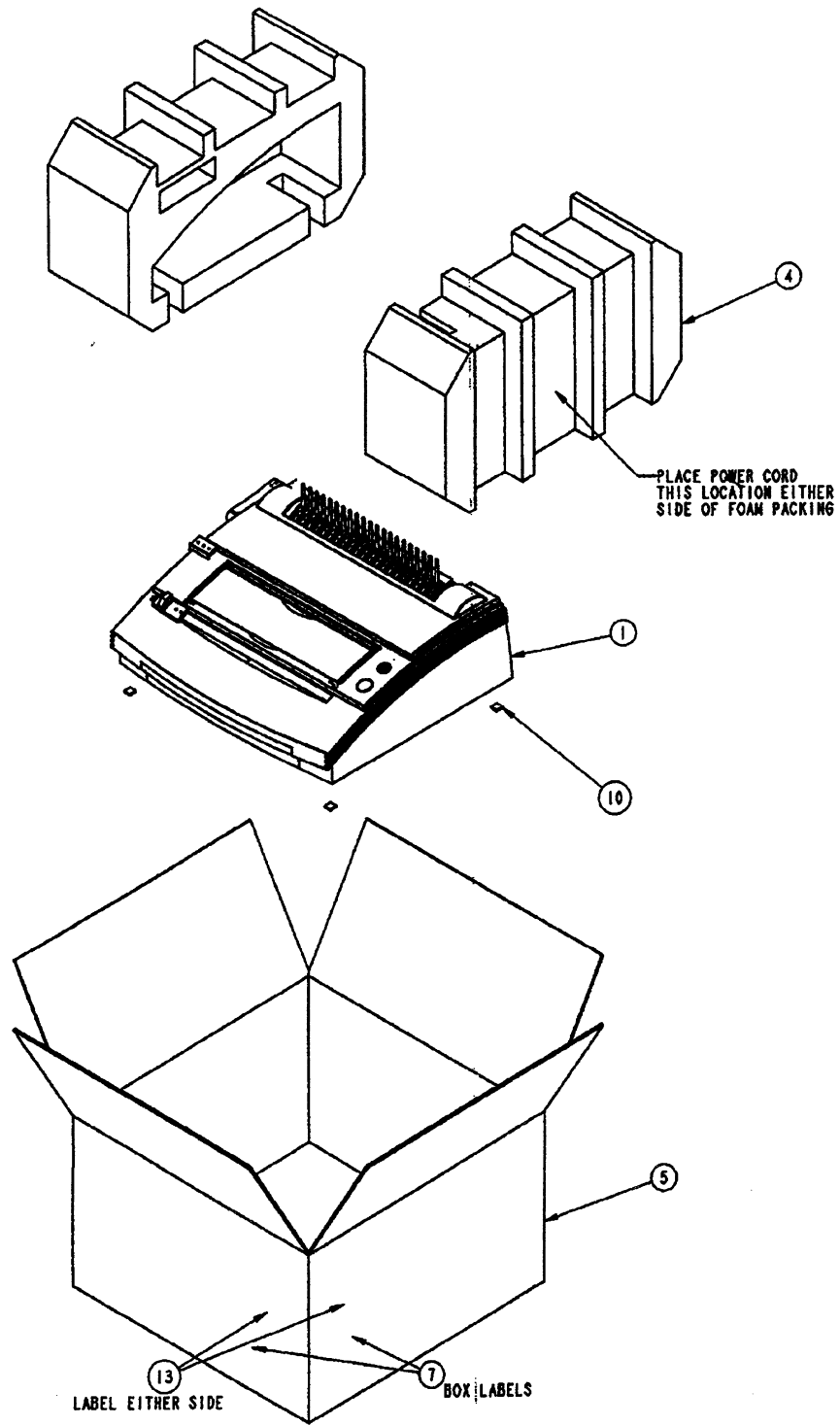
8	7703690	STOP PLATE	1
7	7703689	SELECTOR PIN	11
6	7703688	GUIDE, PULL PIN	1
5	7703687	PRESSURE BAR	1
4	7703549	STRIPPER	1
3	1925004	WASHER, 3/16 ID X .049 W	2
2	1907105	10-32x1/2 SEMS HX WSH HD TAP SCR	3
1	1907103	10-32x1 SEMS HX WSH HD TAP SCR	2
ITEM	PART NO.	DESCRIPTION	QTY.



4	7703642	BRACKET, MICROSWITCH	1
3	7703640	MICRO SWITCH	1
2	1907826	4-40x5/8 PAN HD TAP SCREW	2
1	1122005	INSULATOR, SNAPSWITCH	1
ITEM	PART NO.	DESCRIPTION	QTY.



5	7703691	SHIELD, ELECTRIC	1
4	7703655	BRACKET, ELECTRICAL PANEL	1
3	6202046	SWITCH, PNEUMATIC	1
2	6190015	RECEPTICLE, LINE CORD	1
1	1929603	PLASTIC RIVET	1
ITEM	PART NO.	DESCRIPTION	QTY.



13.	6009242	NRTL/C SHIPPING LABL	1
12.	6009078	CSA NRLT/C LABEL	1
11.	6009146	LABEL SHOCK DOM	1
10.	7703552	FOOT	4
9.	1155022	WARRANTY CRDS 90DAY	1
8.	7703654	OPERATING INSTR. P400	1
7.	1155024	MAST. LISTNG NAMEPLATE	1
6.	1963141	S* TAPE 2" X 3000' PK	5
5.	7703679	CARTON, P400	1
4.	7703580	FOAM END CAP, NOPASET	1
3.	6190011	AIR ACTUATOR (FOOT PEDAL)	1
2.	6200001	CORD SET-115V	1
1.	7703651	DB P400 FIN. ASY. 115V	1
ITEM NO.	PART NO.	DESCRIPTION	QTY.