

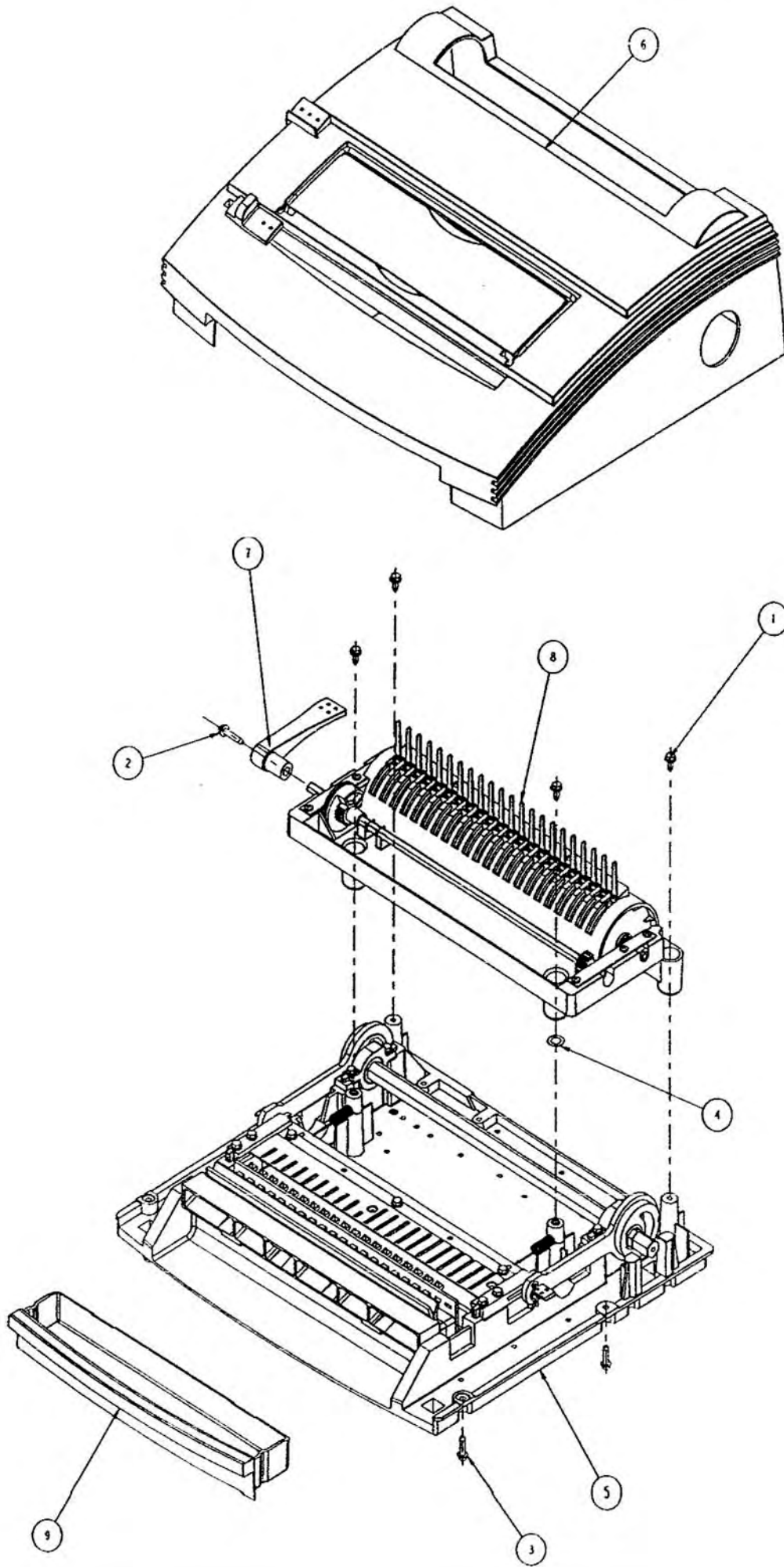


P200 Parts List



GBC IS AN ACCO BRANDS COMPANY

P200 PARTS LIST - FIGURE 8.1

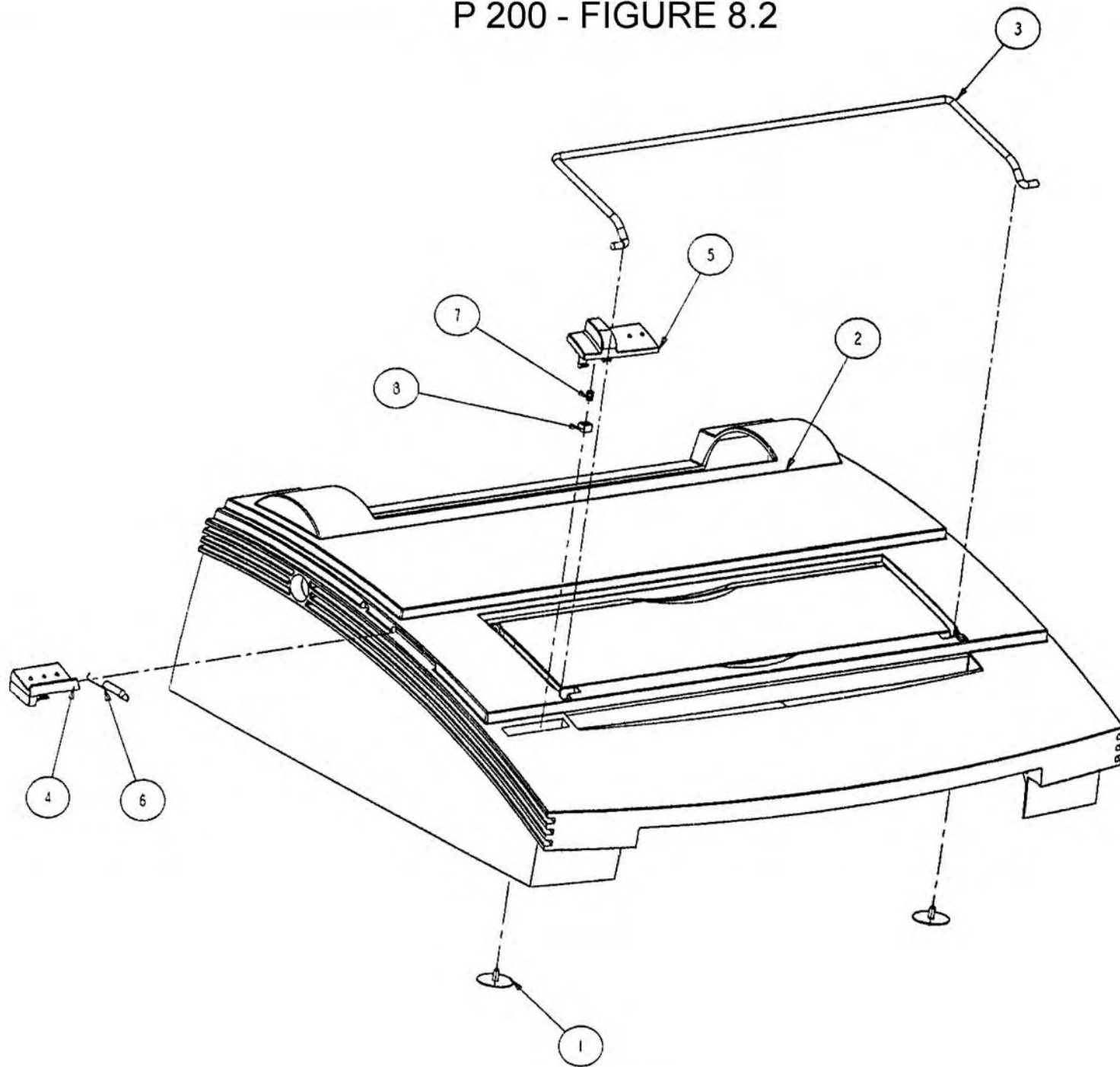


P200 PARTS LIST - FIGURE 8.1

Index	P/N	Description	Qty
1	1907105	SCREW 10-32x1/2 SEMS HEX WSH HD-SLF TAP	4
2	1907406	SCREW, 10-32X1 WSH HX HD	1
3	1911001	HOUSING SCREW, 10-32X1 SEMS WSH SKT HD	4
4	1925140	WASHER	1
5	7703502	PUNCH ASSEMBLY	1
6	7703503	HOUSING ASSEMBLY	1
7	7703536	HANDLE, BINDER	1
8	7703564	BINDER, ASSEMBLY	1
9	7703570	CHIP TRAY	1
10	7703535	HANDLE, PUNCH not shown	1
11	1907404	SCREW-BIND HANDLE not shown	1

NOTES: (P/N - 7703574) - Early Production units used TWO washers with spring service.
Service Part # 7703574 EDGE GUIDE has STEPS built in to eliminate the need for the washers. When replacement of early production EDGE GUIDE is required, disacrd the washers.

P 200 - FIGURE 8.2

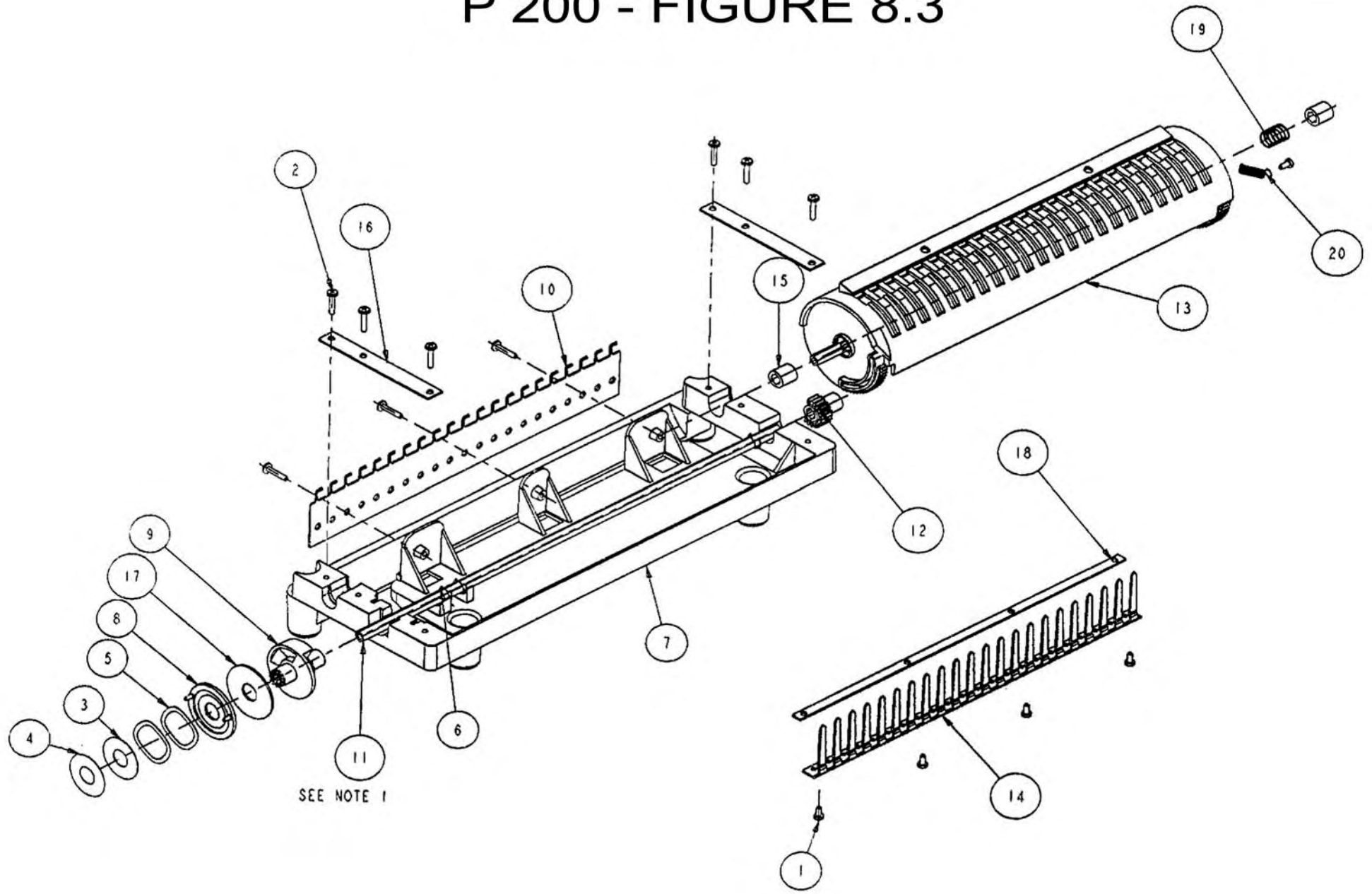


P200 PARTS LIST - FIGURE 8-2

Index	P/N	Description	Qty
1	1912001	SCREW, 6-32X3/8 HX HD SEMS	2
2	7703551	HOUSING FINISHED P200	1
3	7703572	PAPER SUPPORT (WIRE)	1
4	7703573	BINDER SIZE SLIDE	1
5	7703574	EDGE GUIDE	1
6	7703575	SPRING, BINDER SIZE SLIDE	1
7	7703577	SPRING, EDGE GUIDE	1
8	7703578	SLIDE, EDGE GUIDE	1

* For 230V International GRAY color scheme Part No #'s see ECO E 10159 & See Drawing
(For U.K , Europe, Australia only)

P 200 - FIGURE 8.3



P200 PARTS LIST - FIGURE 8-3

Index	P/N	Description	Qty
1	1901202	SCREW 6-18 THREAD ROLLING	5
2	1901206	SCREW 8-16x3/4 THREAD ROLLING	9
3	1925158	WASHER	1
4	1925159	WASHER	1
5	1926510	SPRING WASHER	2
6	1930514	E-RING	3
7	7703554	BASE - BIND HEAD	1
8	7703555	FRICTION PLATE	1
9	7703556	CAM GEAR	1
10	7703557	HOOK PLATE	1
11	7703558	SHAFT, BINDER DRIVE GEAR	1
12	7703559	IDLER GEAR	1
13	7703560	SHROUD	1
14	7703576	COMB, NON-FORMED	1
15	7703562	GUIDE BEARING	2
16	7703563	STRAP, BINDER	2
17	7703566	FRICTION DISC	1
19	7703629	SPRING, PNCH BTN/SHROUD	1

* Note: Early Production used FORMED COMB 7703561, SHIM 7703569, SPRING 9779278 and SCREWS 1901204. Any replacement , use COMB 7703576 with 5 Screws 1901202 and discard SHIM and SPRING.

P200 PARTS LIST - FIGURE 8-4

Index	P/N	Description	230V Qty
1	1907103	SCREW 10-32x1 SEMS HEX WSH HD-SLF TAP	8
2	1907105	SCREW 10-32x1/2 SEMS HEX WSH HD-SLF TAP	3
3	1907411	SCREW 10-32x2 1/4 SEMS HX WSH HD MACH	5
4	1930251	HAIRPIN CLIP	2
5	1930554	E-RING 5/8	2
6	7703523	DIE SET ASSY. P200 21 PIN (International)	1
7	7703533	SPRING, HANDLE P200	2
8	7703538	PRESSURE BAR, DOMESTIC	1
9	7703540	SLIDE	2
10	7703541	BEARING CAP	2
11	7703542	BASE, PUNCH	1
12	7703544	LINK, CONNECTING	2
13	7703547	ECCENTRIC	2
14	7703548	BEARING, SHAFT	2
15	7703549	STRIPPER	1
16	7703565	DRIVESHAFT - P200	1
17	1961503	LUBRIPLATE NO. 130-AA	.001
18	1961502	LUBRICANT, SPRAY	.001

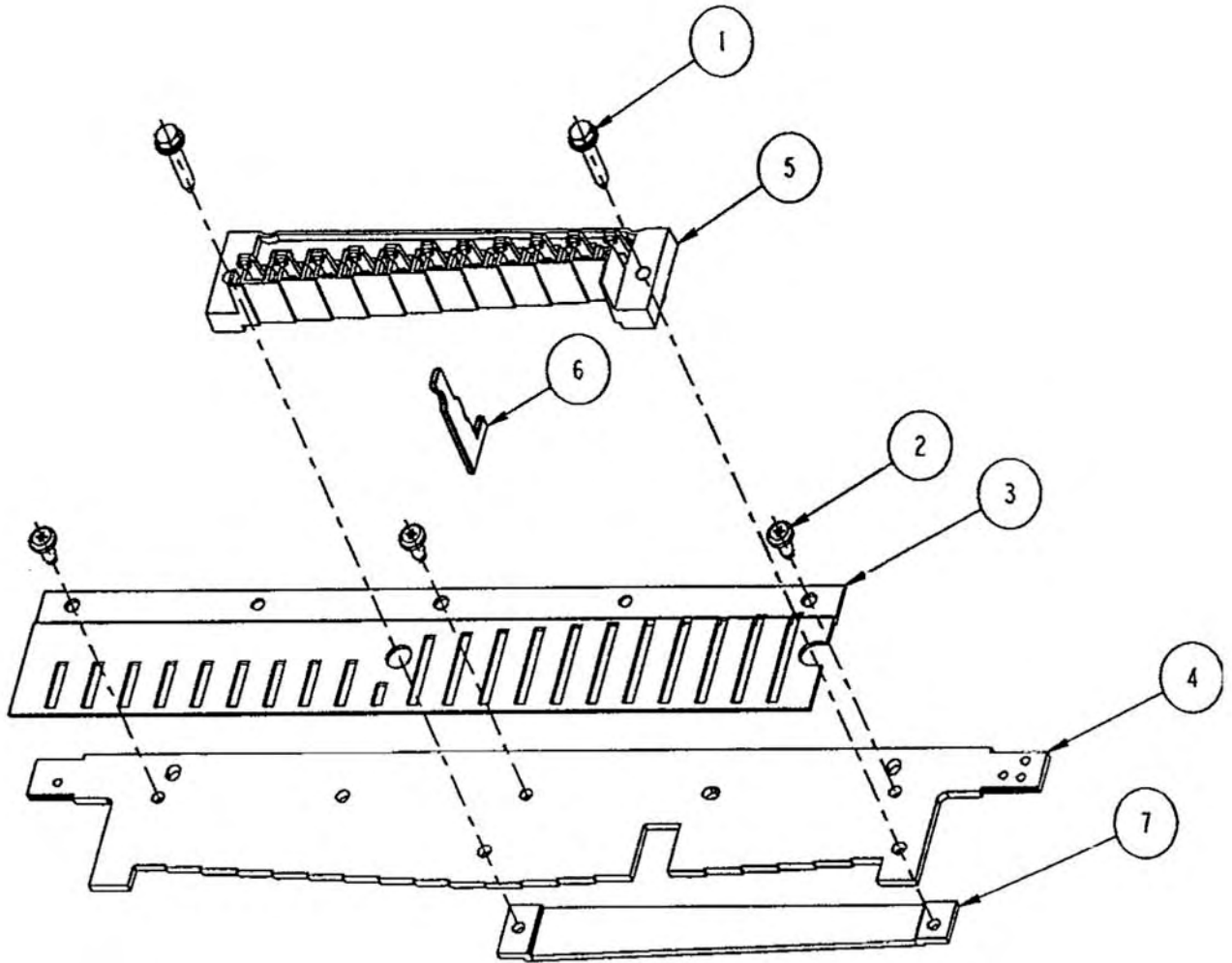
* 6 7703550 Die Set 115 V - Domestic

P200 PARTS LIST - FIGURE 8-4

Index	P/N	Description	230V Qty
1	1907103	SCREW 10-32x1 SEMS HEX WSH HD-SLF TAP	8
2	1907105	SCREW 10-32x1/2 SEMS HEX WSH HD-SLF TAP	3
3	1907411	SCREW 10-32x2 1/4 SEMS HX WSH HD MACH	5
4	1930251	HAIRPIN CLIP	2
5	1930554	E-RING 5/8	2
6	7703523	DIE SET ASSY. P200 21 PIN (International)	1
7	7703533	SPRING, HANDLE P200	2
8	7703538	PRESSURE BAR, DOMESTIC	1
9	7703540	SLIDE	2
10	7703541	BEARING CAP	2
11	7703542	BASE, PUNCH	1
12	7703544	LINK, CONNECTING	2
13	7703547	ECCENTRIC	2
14	7703548	BEARING, SHAFT	2
15	7703549	STRIPPER	1
16	7703565	DRIVESHAFT - P200	1
17	1961503	LUBRIPLATE NO. 130-AA	.001
18	1961502	LUBRICANT, SPRAY	.001

* 6 7703550 Die Set 115 V - Domestic

P 200 - FIGURE 8.4



P200 PARTS LIST - FIGURE 8-5

Index	P/N	Description	Qty
1	1907103	SCREW 10-32x1 SEMS HEX WSH HD-SLF TAP	2
2	1911502	SCREW, 10-32X3/8 SEMS PAN HD TAP	3
3	7703549	STRIPPER	1
4	7703636	PRESSURE BAR, IDD	1
5	7703688	GUIDE, PULL PIN, IDD	1
6	7703689	PULL PIN, IDD	1
7	7703690	STOP, PULL PIN, IDD	1