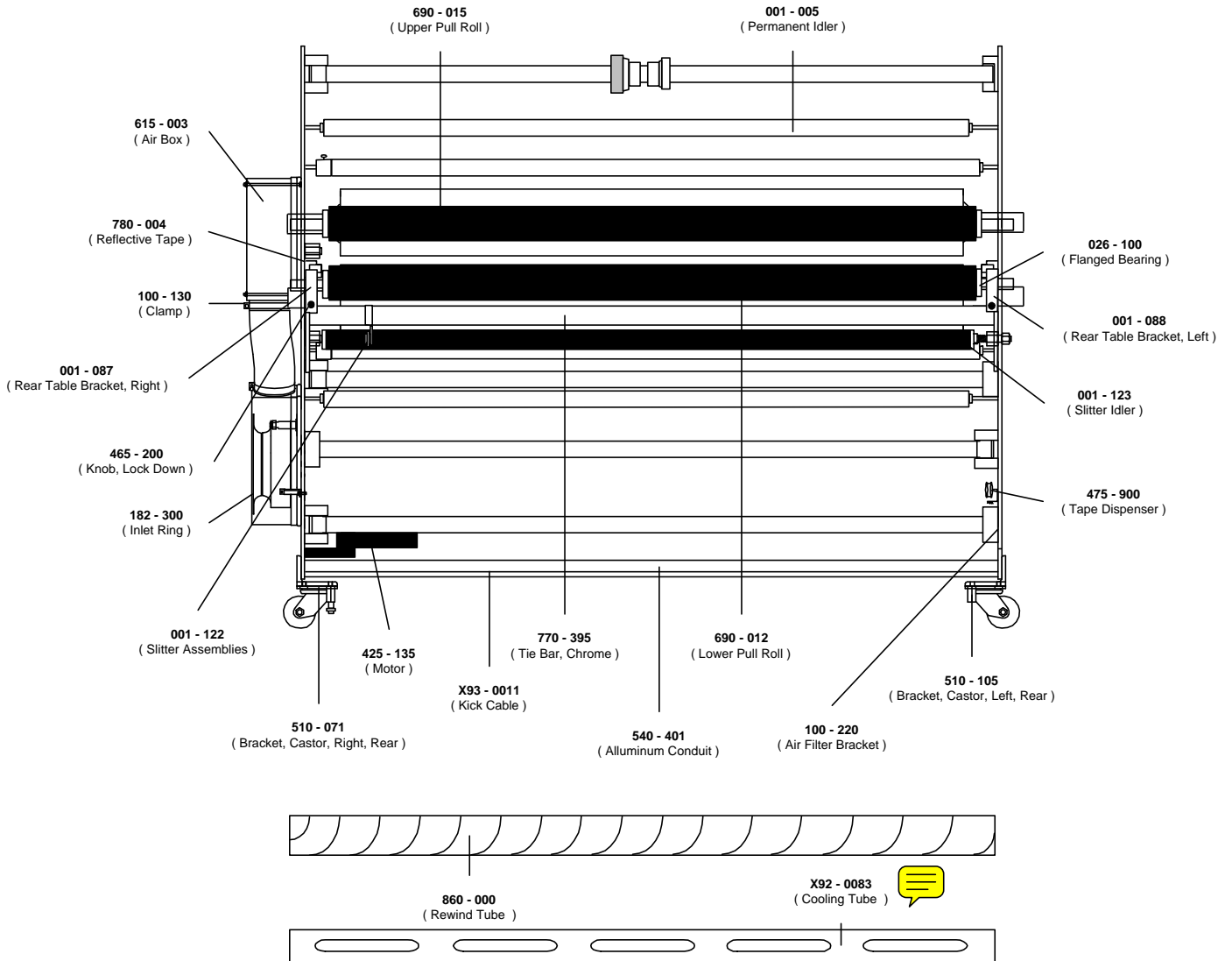
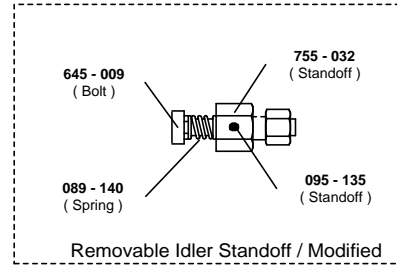
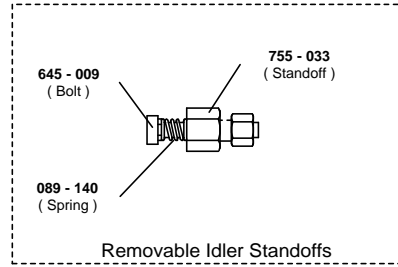


The Thermal Heat Shield part number is 001 - 164

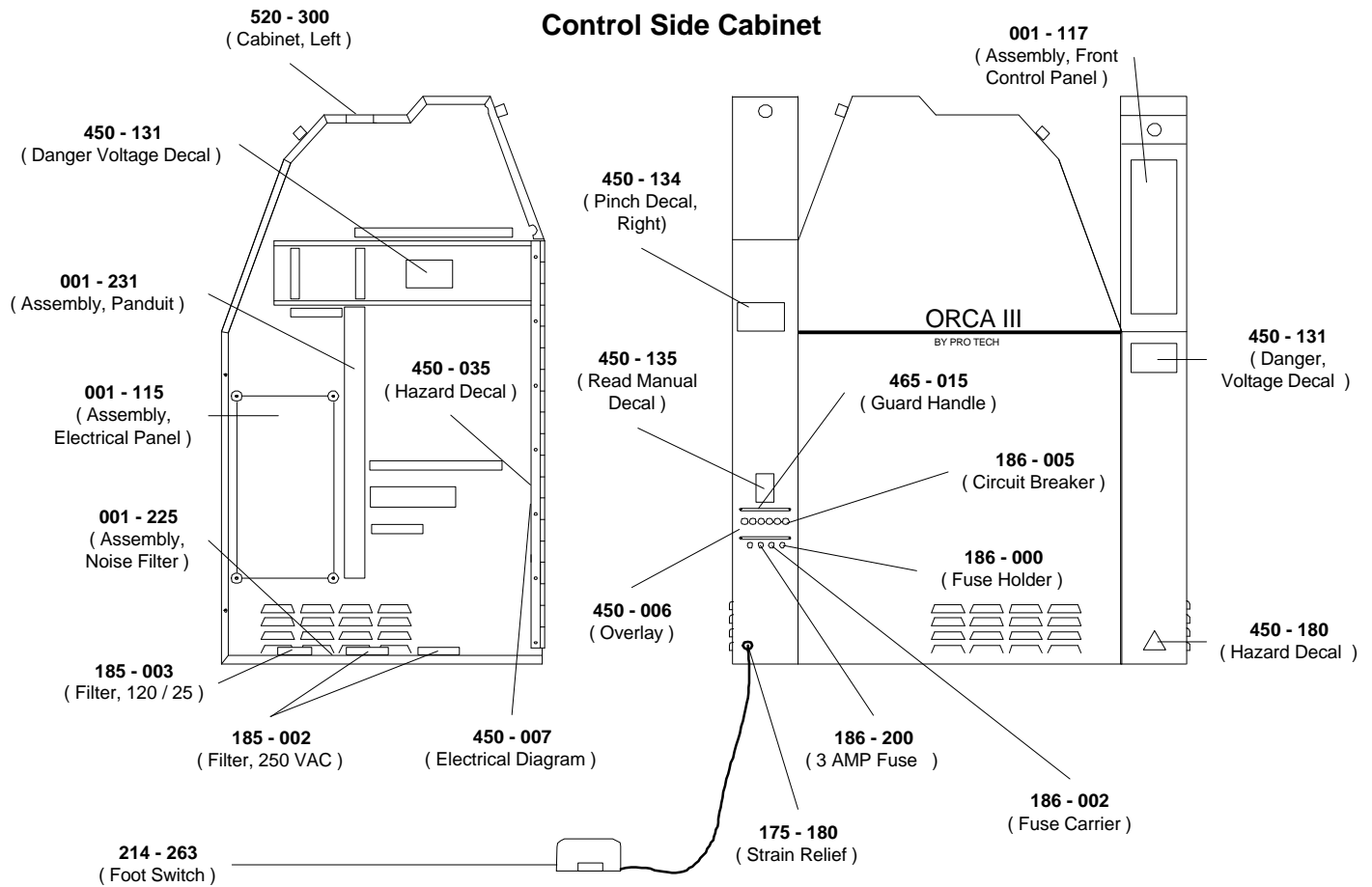
Right
(Drive Side)



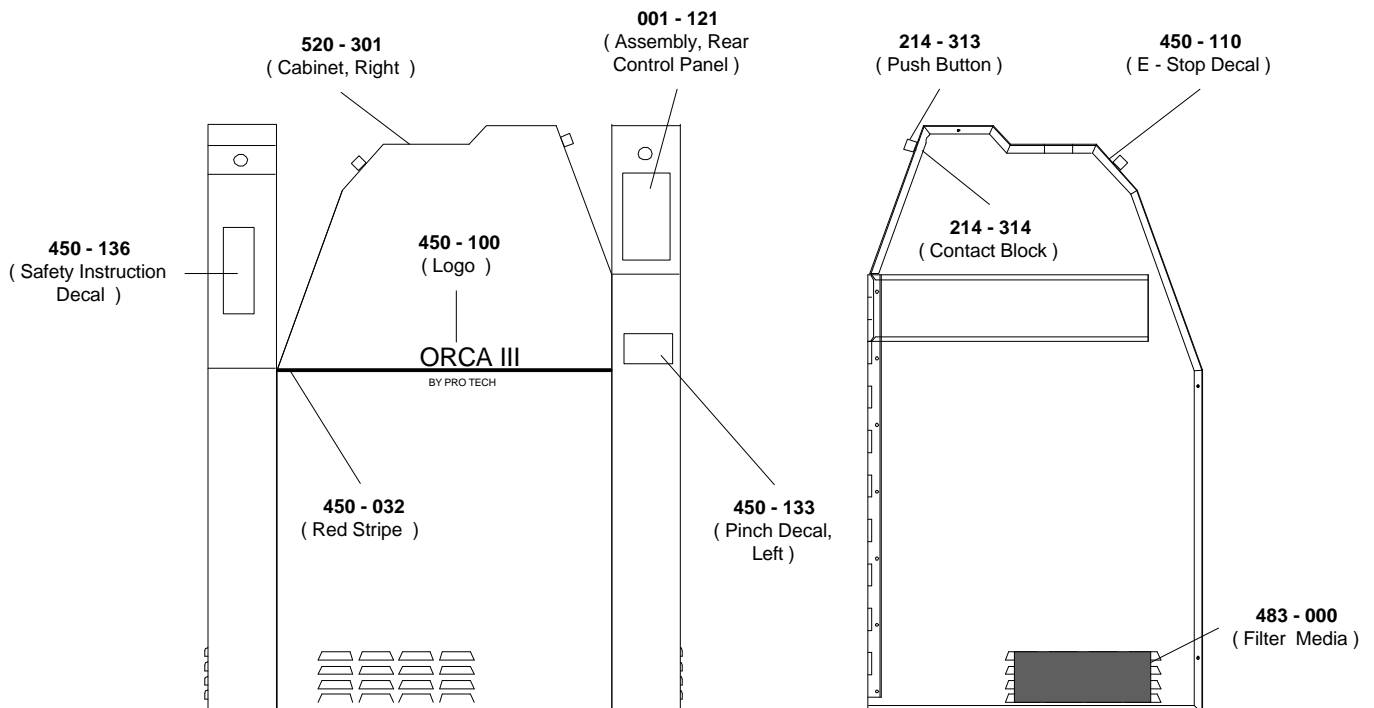
Left
(Control Side)

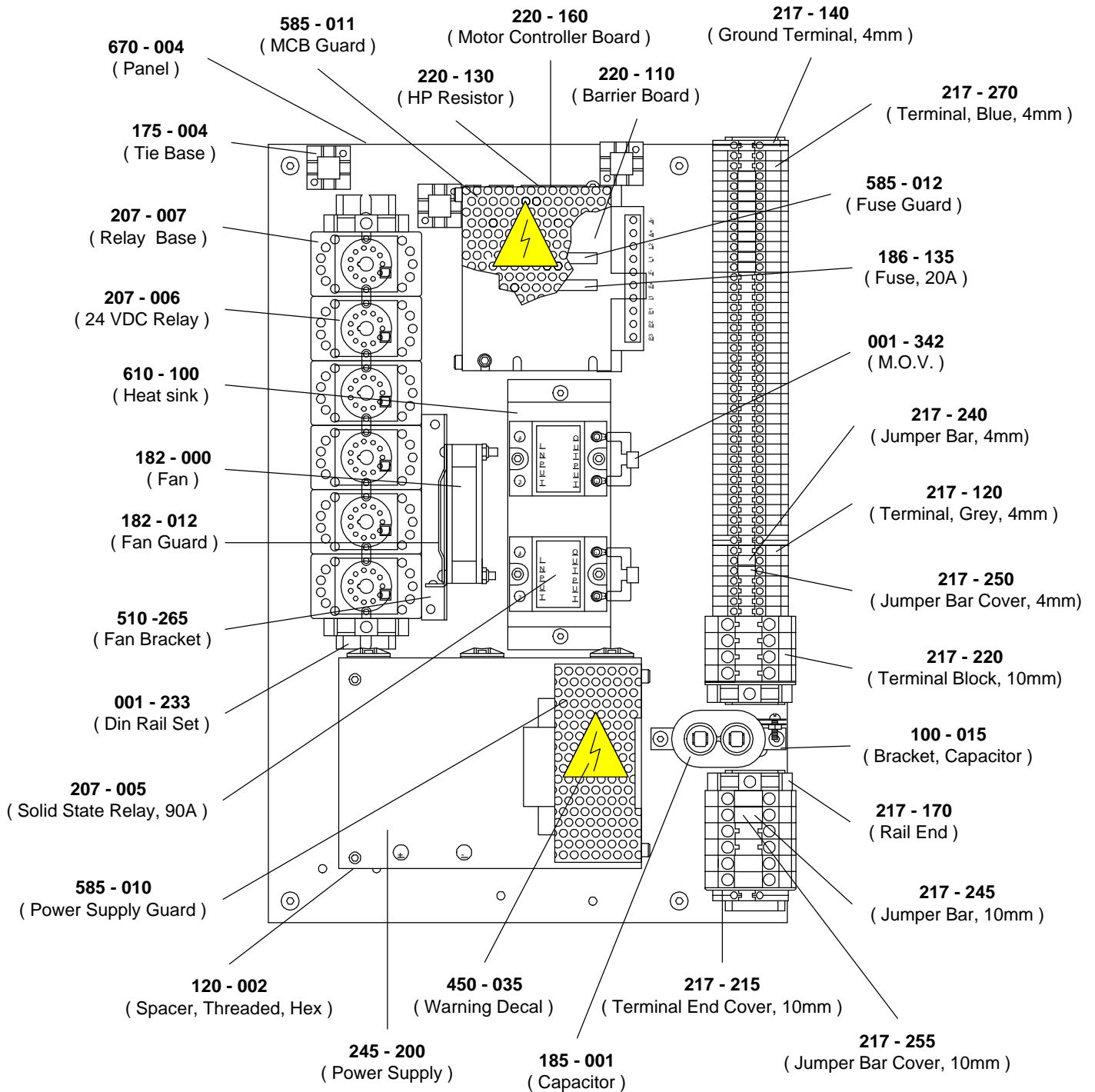


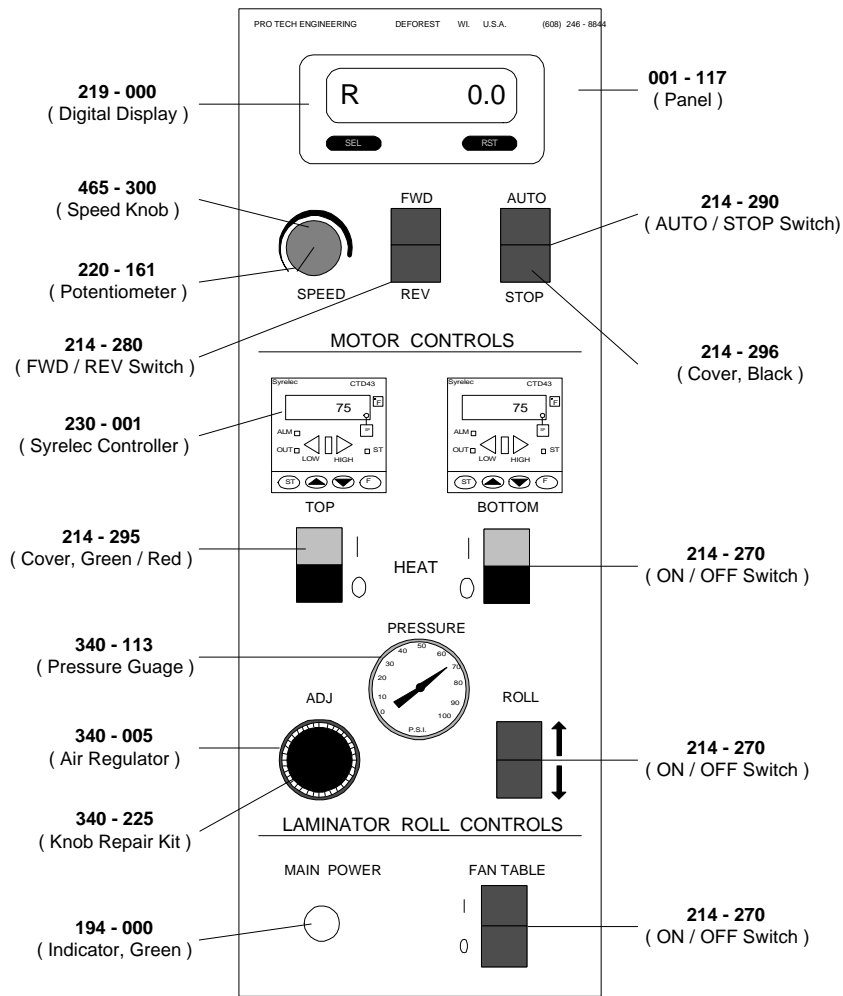
Control Side Cabinet



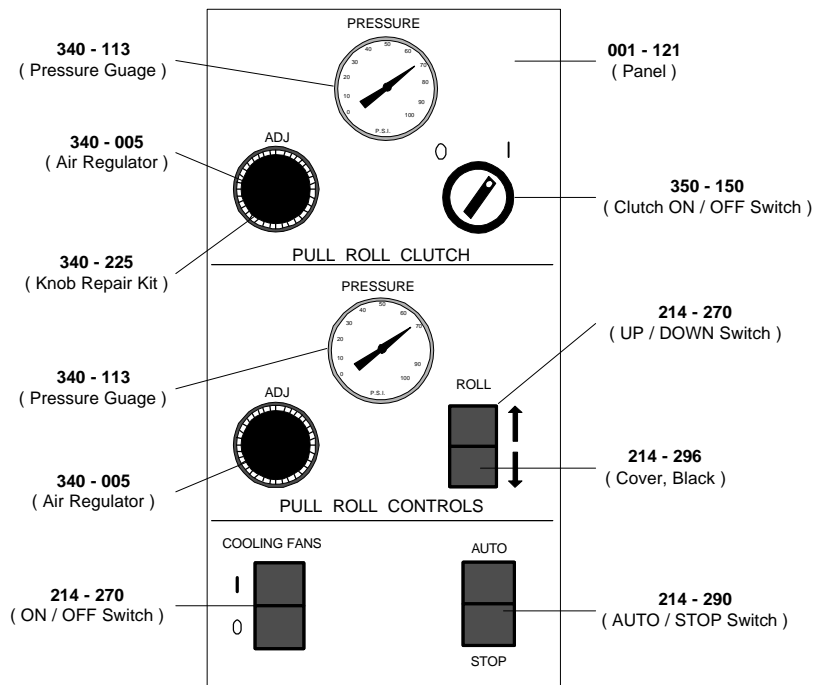
Drive Side Cabinet

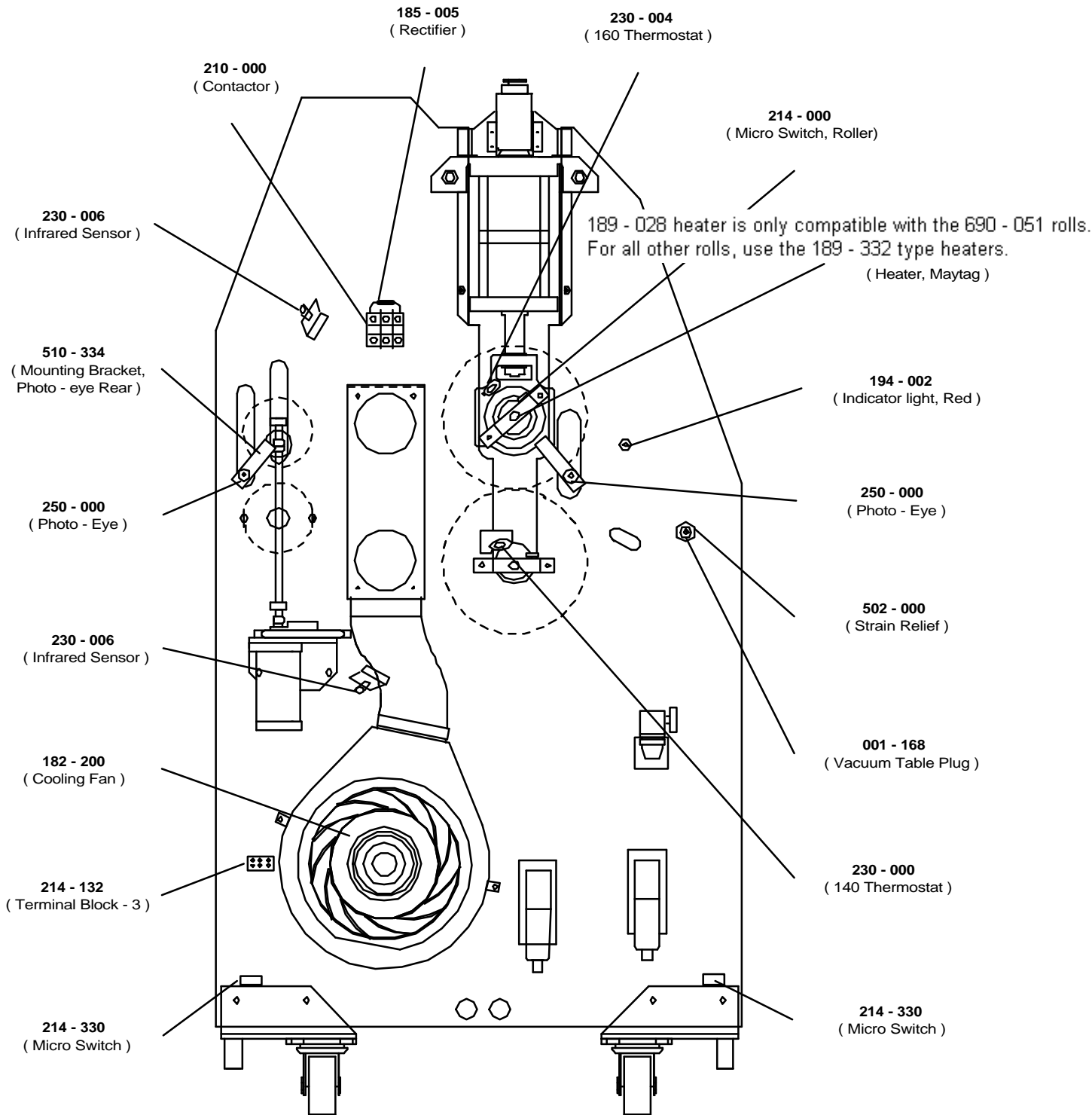


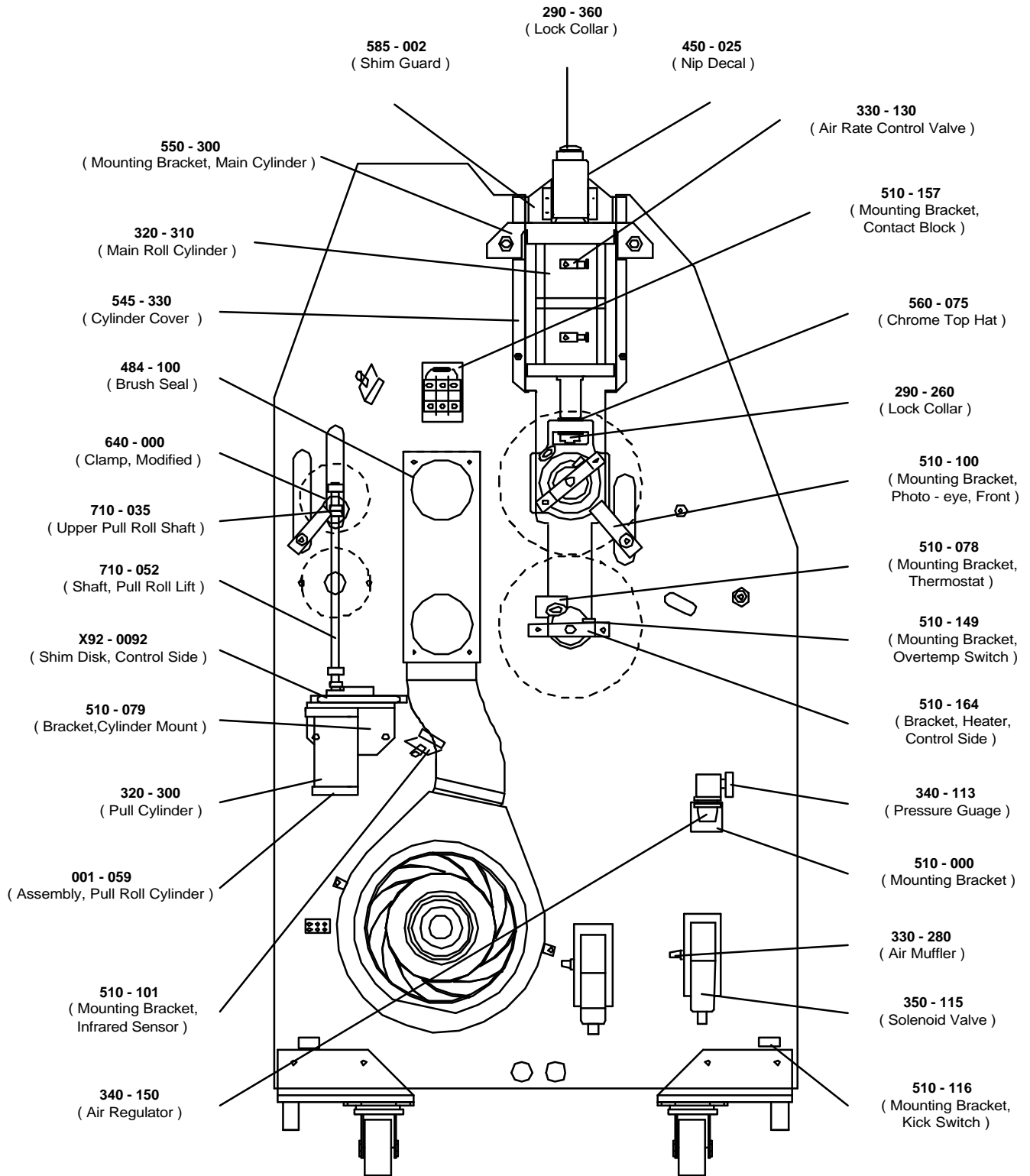


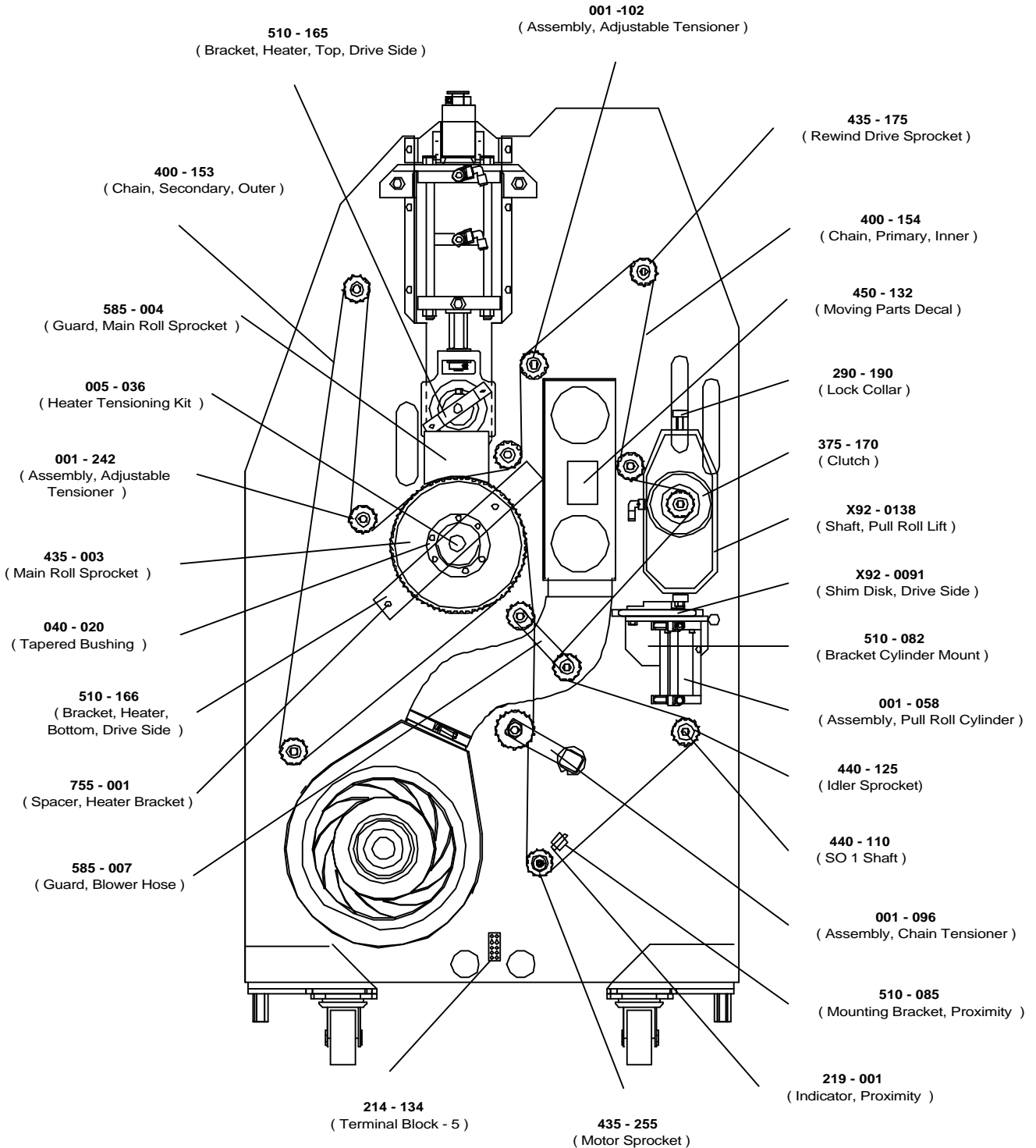
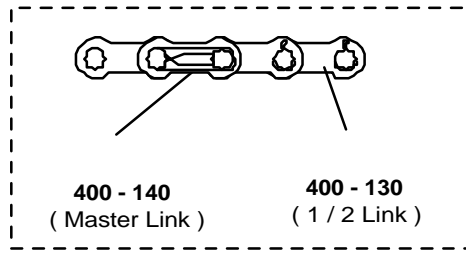


The knob repair kit is for the older version of the air regulator knob with the part number 340-150 only.









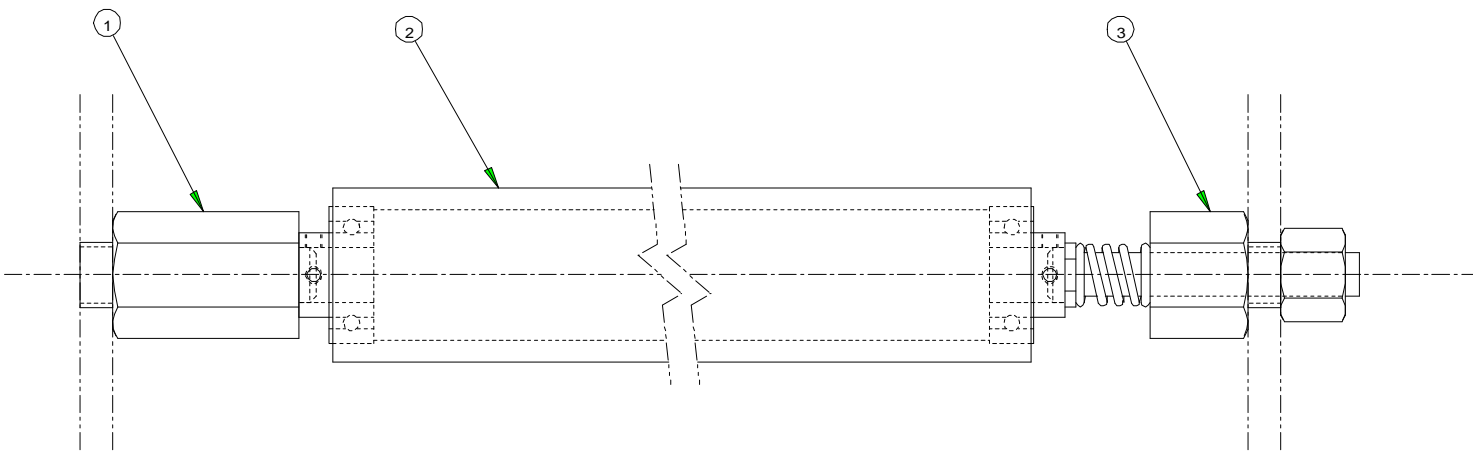


ORCA III SAE Parts List

GBC IS AN ACCO BRANDS COMPANY



REQ'D	DESCRIPTION	PART NO.	ITEM
1	STANDOFF, IDLER POST	X92-0165	1
1	ASSY.IDLER	001-226	2
1	ASSY.STANDOFF, IDLER, REMOVABLE	001-305	3



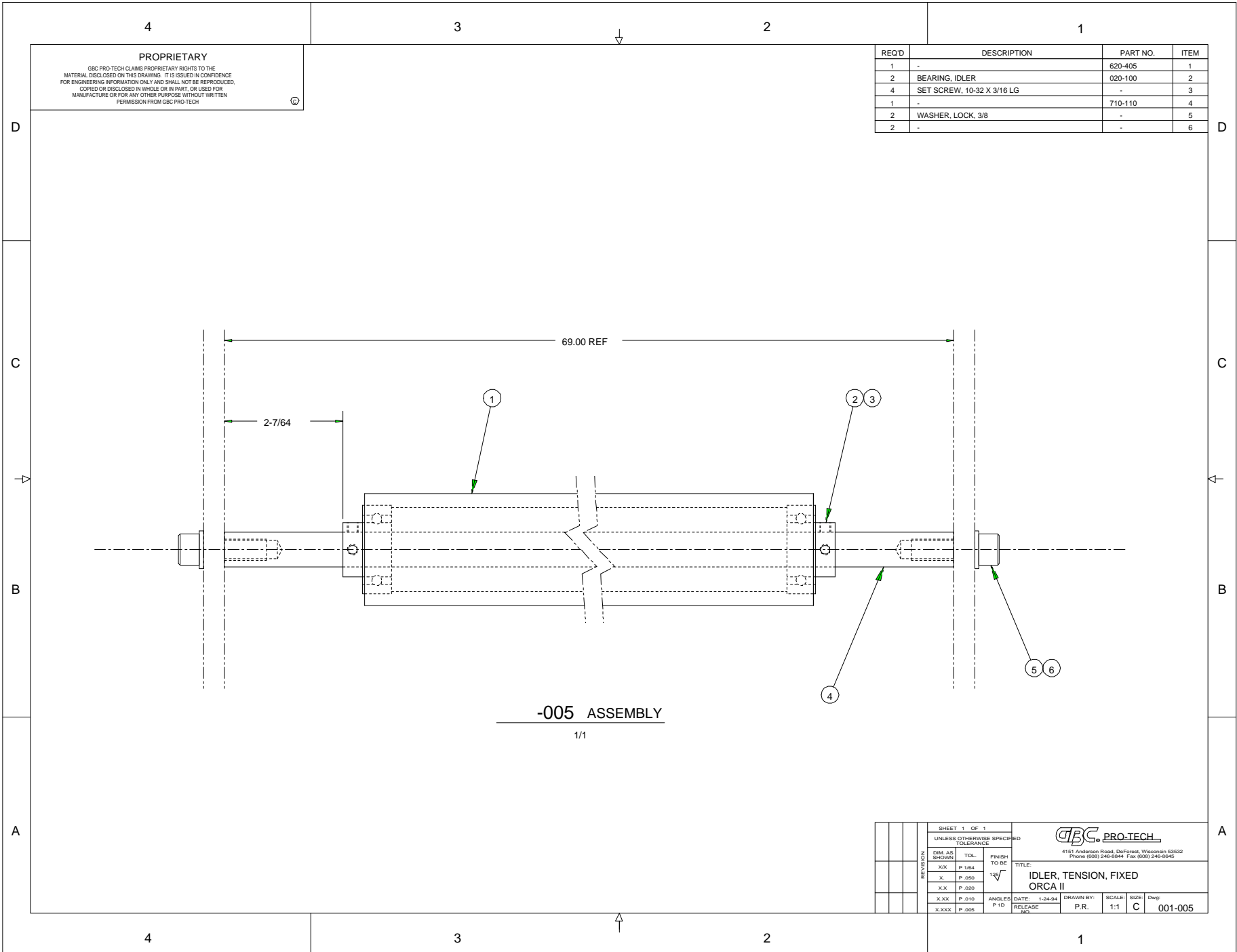
UNLESS OTHERWISE SPECIFIED TOLERANCE				FINISH TO BE		DATE: #REF!		DRAWN BY: #REF!		DWG SCALE: #REF!		Dwg: 001 - 003	
DIM. AS SHOWN	TOL.			12.5									
.XX	P.1/64												
X	P.050												
X.X	P.020												
X.XX	P.010												
X.XXX	P.005												

Pro-Tech Engineering

2117 N. Soughlin Rd. Madison, Wisconsin 53704

Phone (608) 246-8844 Fax (608) 246-4685

TITLE: Assembly, Idler, Removable with Standoff



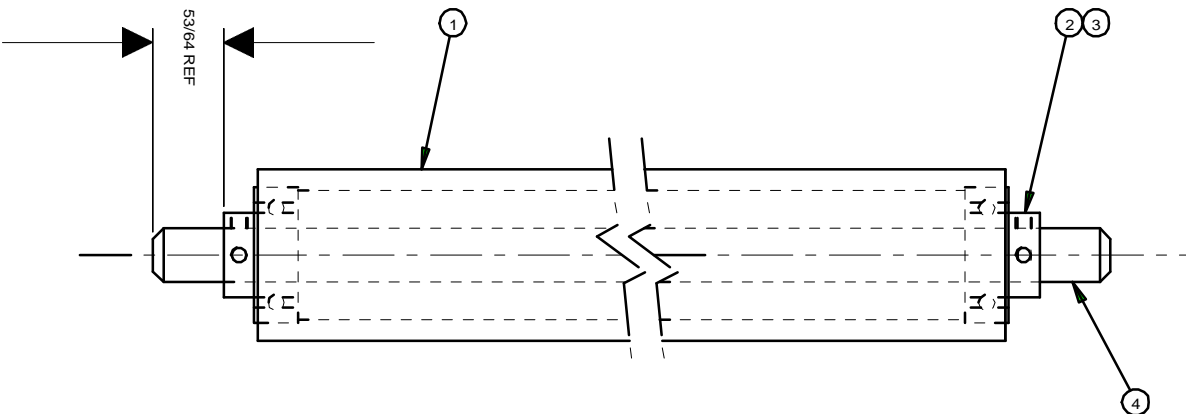
PROPRIETARY
 GBC PRO-TECH CLAIMS PROPRIETARY RIGHTS TO THE MATERIAL DISCLOSED ON THIS DRAWING. IT IS ISSUED IN CONFIDENCE FOR ENGINEERING INFORMATION ONLY AND SHALL NOT BE REPRODUCED, COPIED OR DISCLOSED IN WHOLE OR IN PART, OR USED FOR MANUFACTURE OR FOR ANY OTHER PURPOSE WITHOUT WRITTEN PERMISSION FROM GBC PRO-TECH

REQ'D	DESCRIPTION	PART NO.	ITEM
1	-	620-405	1
2	BEARING, IDLER	020-100	2
4	SET SCREW, 10-32 X 3/16 LG	-	3
1	-	710-110	4
2	WASHER, LOCK, 3/8	-	5
2	-	-	6

-005 ASSEMBLY
 1/1

SHEET 1 OF 1		UNLESS OTHERWISE SPECIFIED TOLERANCE		FINISH TO BE			
REV	DATE	BY	CHKD	DATE	BY	CHKD	4151 Anderson Road, DuFour, Wisconsin 53532 Phone (808) 246-8844 Fax (808) 246-8845
X.X	P. 1/64						TITLE: IDLER, TENSION, FIXED ORCA II
X	P. .050						
X.X	P. .020						
X.XX	P. .010						
XXX	P. .005						ANGLE: DATE: 1-24-94 DRAWN BY: SCALE: SIZE: Dwg: P. 10 RELEASE: P.R. 1:1 C 001-005

REQD	DESCRIPTION	PART NO.	ITEM
1	-	620-405	1
2	BEARING, IDLER	020-100	2
4	-	-	3
1	IDLER SHAFT	710-111	4



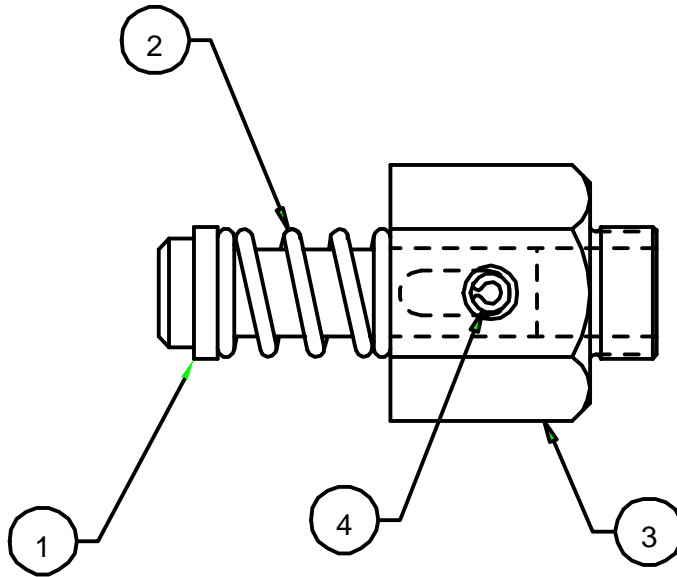
-006 ASSEMBLY

SCALE: 1/1

UNLESS OTHERWISE SPECIFIED TOLERANCE			Pro-Tech Engineering 2117 N. Stoughton Rd. Madison, Wisconsin 53704 Phone (608) 248-0884 Fax (608) 248-0885		
ØM, AS SHOWN	TOL.	FINISH TO BE	TITLE: #REF! Idler, Paper, Infeed ORCA III		
.XX	F .154	12√	DATE: #REF!	DRAWN BY: #REF!	ENG SCALE: #REF!
.X	F .001		DATE: #REF!	DRAWN BY: #REF!	ENG SCALE: #REF!
.XX	F .001		DATE: #REF!	DRAWN BY: #REF!	ENG SCALE: #REF!
.XXX	F .010	ANGLES P 10	DATE: #REF!	DRAWN BY: #REF!	ENG SCALE: #REF!
.XXX	F .005		DATE: #REF!	DRAWN BY: #REF!	ENG SCALE: #REF!
REVISION			Doc #REF! 001 - 006		

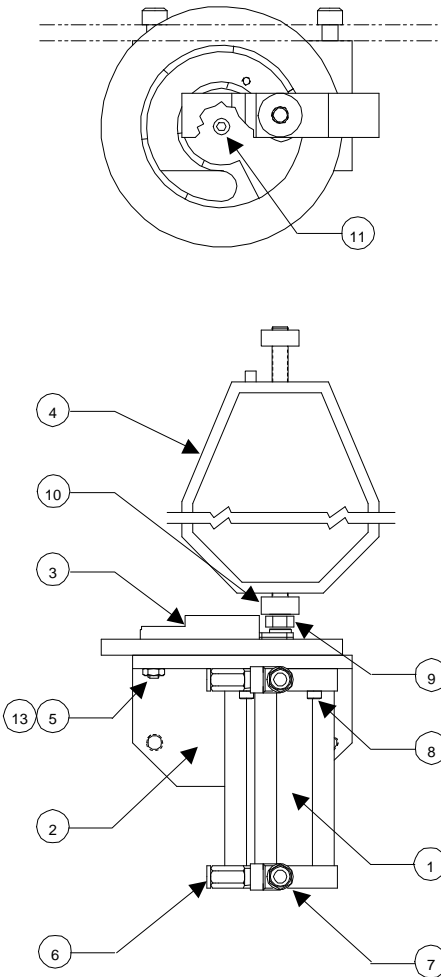
PROPRIETARY
 GBC PRO-TECH CLAIMS PROPRIETARY RIGHTS TO THE
 MATERIAL DISCLOSED ON THIS DRAWING. IT IS ISSUED IN CONFIDENCE
 FOR ENGINEERING INFORMATION ONLY AND SHALL NOT BE REPRODUCED,
 COPIED OR DISCLOSED IN WHOLE OR IN PART, OR USED FOR
 MANUFACTURE OR FOR ANY OTHER PURPOSE WITHOUT WRITTEN
 PERMISSION FROM GBC PRO-TECH

REQ'D	DESCRIPTION	PART NO.	ITEM
1	PIN, STANDOFF, LOW PROFILE	645-005	1
1	SPRING, COMPRESSION	089-140	2
1	STANDOFF, IDLER, HEX	755-032	3
1	ROLL PIN, 7/32 X 1-1/8	095-135	4



SHEET 1 OF 1		 4151 Anderson Road, DeForest, Wisconsin 53532 Phone (608) 246-8844 Fax (608) 246-8645		TITLE:				
UNLESS OTHERWISE SPECIFIED TOLERANCE				ASS'Y, STANDOFF, REMOVABLE IDLER, LOW PROFILE				
REVISION	DIM. AS SHOWN	TOL.	FINISH TO BE 125√	DATE: 6-26-95	DRAWN BY:	SCALE:	SIZE:	Dwg:
	X/X	P 1/64		RELEASE NO.	P.R.	1:1	A	001-054
	X.	P .050						
	X.X	P .020						
	X.XX	P .010			ANGLES P 1D			
X.XXX	P .005							

REQ'D	DESCRIPTION	PART NO.	ITEM
1	CYL. PULL ROLL (BIMBA FO-174)	320-300	1
1	BRACKET, CYL MNT, RT	510-082	2
1	SHIM DISK, PULL ROLL, RT	X92-0091	3
1	BRACKET, LIFT, PULL ROLL	X92-0138	4
1	PLUNGER, BALL	098-120	5
2	FITTING, AIR, MALE 1/8 NPT	330-590	6
2	VALVE, AIR CONTROL, 1/8 NPT	330-120	7
4	CAP SCREW, SOCKET, 10-32 X 3/4	-	8
1	NUT, JAM, 3/8-24	-	9
2	LOCK COLLAR, 3/8-24	290-190	10
1	BOLT, SHOULDER, 1/4 X 3/8	-	11
2	CAP SCREW, SOCKET, 3/8-16 X 3/4	-	12
1	JAM NUT, 1/4-20	-	13

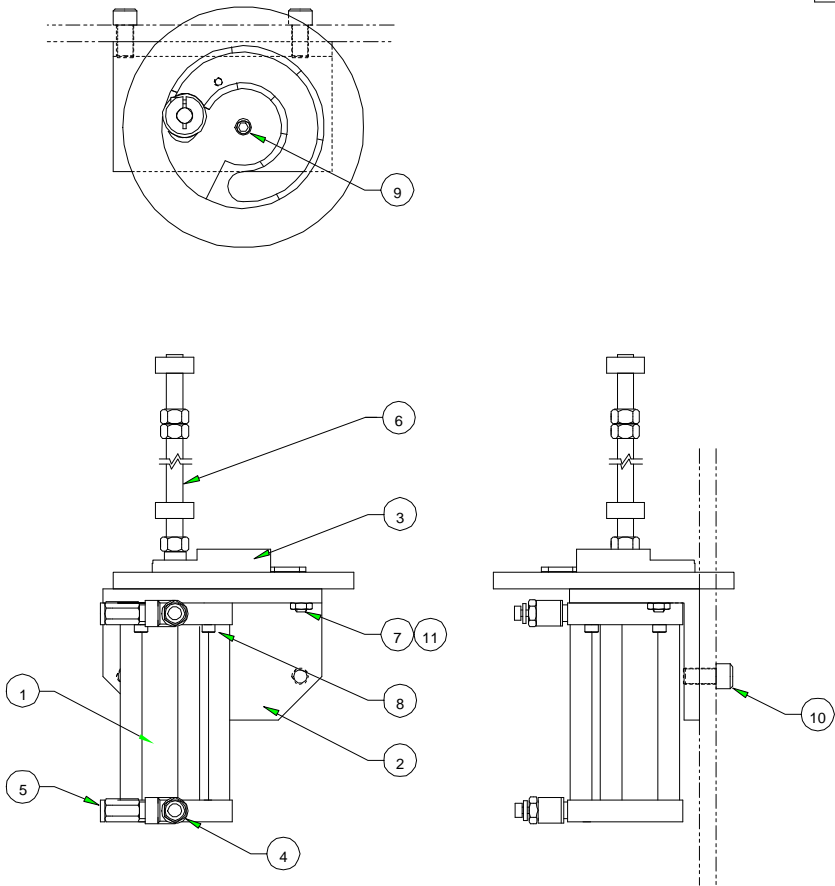


-058 ASSEMBLY

SCALE: 1/2

250Z		UNLESS OTHERWISE SPECIFIED TOLERANCE		Pro-Tech Engineering 4151 Anderson Road, Halifax, NS B3C 2S2 Phone (903) 246-8844 Fax (903) 246-8645	
DIM. AS SHOWN	TOL.	FINISH TO BE	TITLE: CYLINDER, PULL ROLL, RT. ORCA II / ORCA III		
XXX	P. 1/64	√	DATE:	DRAWN BY:	DWG SCALE:
X	P. .050		2-8-94	P.R.	C2
X.X	P. .020	ANGLES:	DATE:	DRAWN BY:	DWG SCALE:
X.XX	P. .010	P 1D	2-8-94	P.R.	C2
X.XXX	P. .005				001-058

REQ'D	DESCRIPTION	PART NO.	ITEM
1	CYL. PULL ROLL, (BIMBA FO-174)	320-300	1
1	BRACKET, CYL MNT, LF	510-079	2
1	SHIM DISK, PULL ROLL, LF	X92-0092	3
2	VALVE, AIR CONTROL, 1/8 NPT	330-120	4
2	FITTING, AIR, MALE 1/8 NPT	330-590	5
1	ASSEMBLY, SHAFT, CYLINDER, PULL ROLL	001-304	6
1	PLUNGER, BALL	098-120	7
8	CAP SCREW, SOCKET, 10-32 X 3/4	-	8
1	BOLT, SHOULDER, 1/4 X 3/8	-	9
2	CAP SCREW, SOCKET, 3/8-16 X 3/4	-	10
1	JAM NUT, 1/4-20	-	11

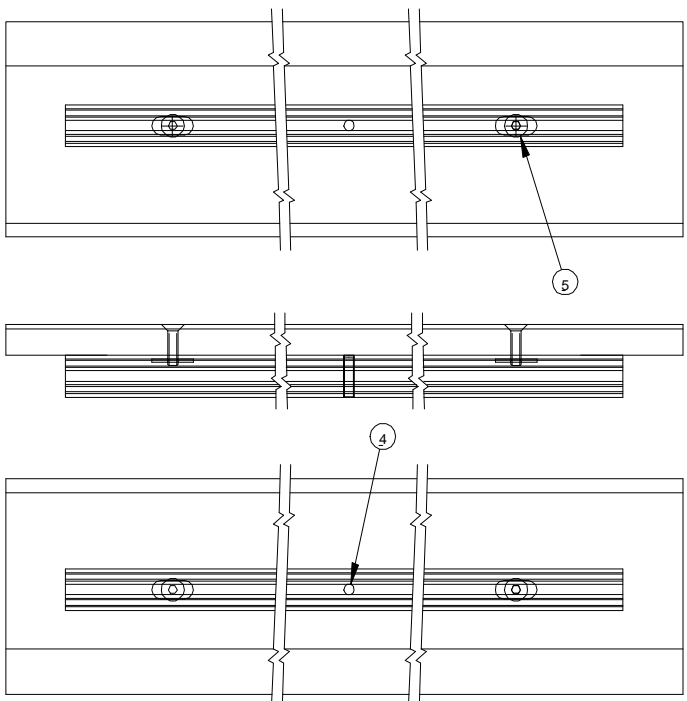
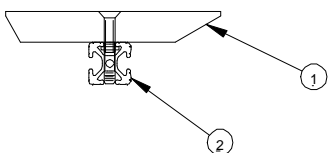
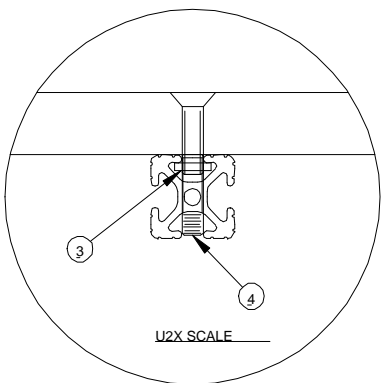


-O59 ASSEMBLY

SCALE:1/2

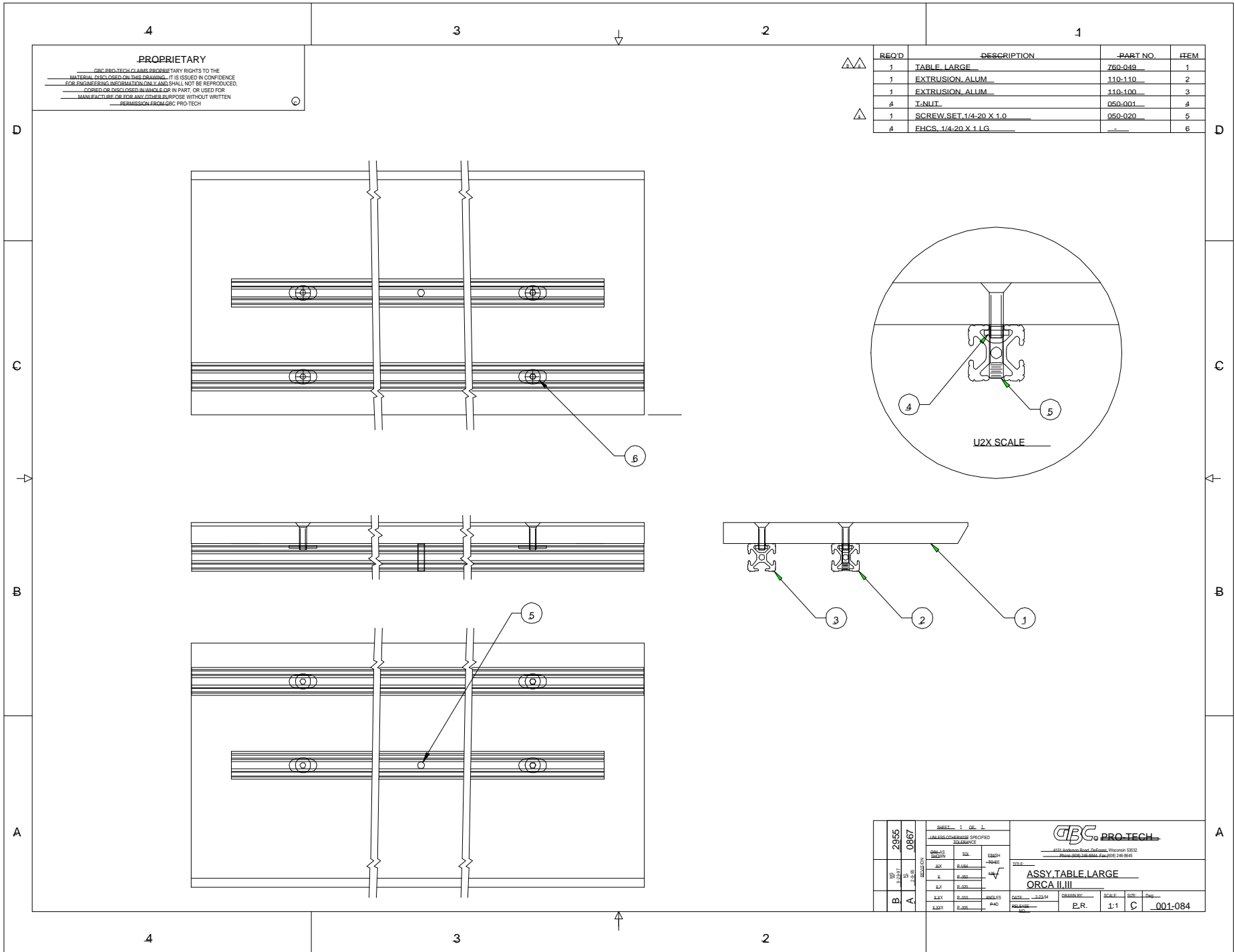
UNLESS OTHERWISE SPECIFIED TOLERANCE				Pro-Tech Engineering 2117 N. Sloughton Rd. Madison, Wisconsin 53704 Phone (608) 246-6844 Fax (608) 246-6888	
DIM AS SHOWN	TOL	FINISH TO BE	128	TITLE	
.XX	P.184			CYLINDER, PULL ROLL, LF	
.X	P.250			ORCA II	
.XX	P.220		DATE	DRAWN BY:	DWG SCALE: Chg
.XXX	P.210	ANGLES P.10	2-9-94	P.R.	C2 001-059
.XXXX	P.205				

REQ'D	DESCRIPTION	PART NO.	ITEM
1	TABLE, SMALL, GREY	760-048	1
1	EXTRUSION, ALUM	110-110	2
2	T-NUT	050-001	3
1	SCREW, SET, 1/4-20 X 1.0	050-020	4
2	PHGS, 1/4-20 X 1 LG	-	5



PROPRIETARY
 GRC PRO-TECH CLAIMS PROPRIETARY RIGHTS TO THE MATERIAL DISCLOSED ON THIS DRAWING. IT IS ISSUED IN CONFIDENCE FOR ENGINEERING INFORMATION ONLY AND SHALL NOT BE REPRODUCED, COPIED OR DISCLOSED IN WHOLE OR IN PART, OR USED FOR MANUFACTURE OR FOR ANY OTHER PURPOSE WITHOUT WRITTEN PERMISSION FROM GRC PRO-TECH

SHEET - 1 OF 2		UNLESS OTHERWISE SPECIFIED TOLERANCES		 4151 Anderson Road, DeForest, Wisconsin 53532 Phone: (920) 366-8114 Fax: (920) 346-8845	
DATE: 03/23/94	DESIGNED BY: P.R.	SCALE: 1:2	APP.:	CHECKED:	DATE: 03/23/94
ASSY TABLE, SMALL ORCA III, III			REV.:	BY:	DATE:
2959 2959 2959			REV.:	BY:	DATE:
2959 2959 2959			REV.:	BY:	DATE:
2959 2959 2959			REV.:	BY:	DATE:



REV	DATE	BY	CHKD	APP'D
B		A		

2855	0867			
REV	DATE	BY	CHKD	APP'D
A				

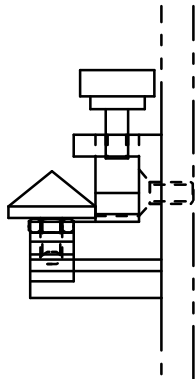
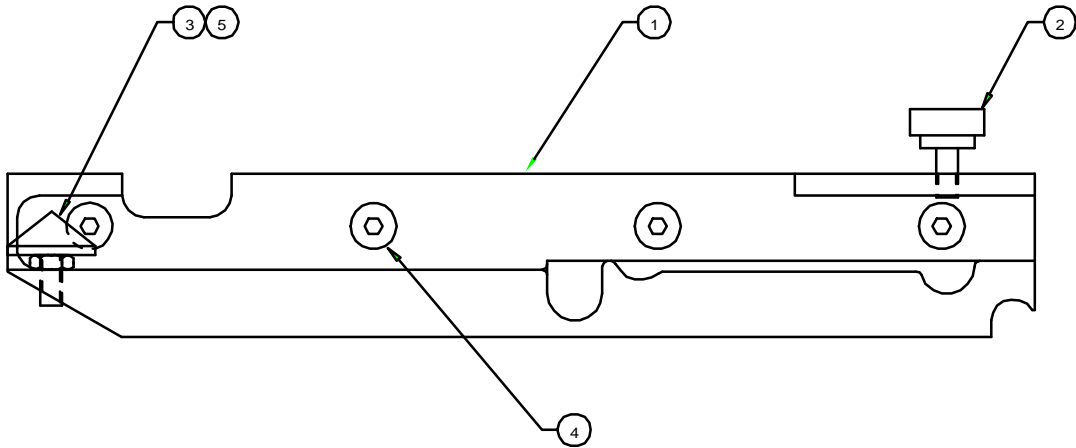
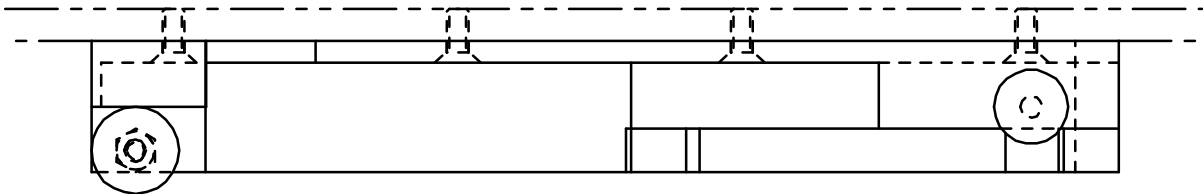
SHEET 1 OF 1
 UNLESS OTHERWISE SPECIFIED
 DIMENSIONS ARE IN INCHES
 DECIMALS TO 0.005
 FRACTIONS TO 1/32

CRC PRO-TECH
 4151 Anderson Street, DuPont, Wisconsin 53530
 Phone (800) 248-8844 Fax (978) 245-8845

ASSY.TABLE.LARGE
ORCA II,III

DATE: 02-25-94
 DRAWN BY: E.R.
 SCALE: 1:1
 SHEETS: 1
 OF: 1
 FILE: 001-084

REQ'D	DESCRIPTION	PART NO.	ITEM
1	BRACKET, TABLE, FRONT, RT	510-056	1
1	KNOB, LOCK-DOWN, TABLE	465-200	2
1	BUMPER, RUBBER	465-500	3
4	SCREW, ALLEN, FLT HD, 1/4-20 X 1/2	-	4
1	NUT, 1/4-20	-	5



-085 ASSEMBLY

SCALE: 1/1

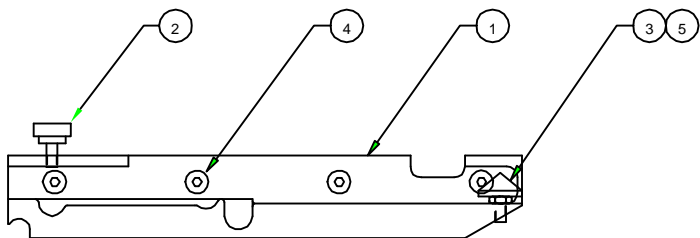
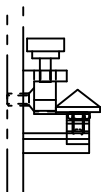
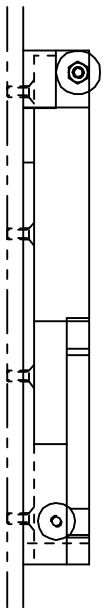
UNLESS OTHERWISE SPECIFIED		TOLERANCE		FINISH TO BE		DATE		DRAWN BY:		DWG SCALE:		Dep	
DIM. AS SHOWN	TOL.	FRESH	TO BE	DATE	DRAWN BY:	DWG SCALE:	Dep	#REF!	#REF!	#REF!	#REF!	001 - 085	
X.X	P.154	✓											
X	P.050												
X.X	P.020												
X.XX	P.010												
X.XXX	P.005												

Pro-Tech Engineering

2117 N. Slaughter Rd. Madison, Wisconsin 53714
Phone (608) 248-8844 Fax (608) 248-4855

TITLE: **Bracket, Table, Front, Right**
ORCA III

REQ'D	DESCRIPTION	PART NO.	ITEM
1	BRACKET, TABLE, FRONT, LF	510-055	1
1	KNOB, LOCK-DOWN, TABLE	465-200	2
1	BUMPER, RUBBER	465-500	3
4	SCREW, ALLEN, FLT HD, 1/4-20 X 1/2	-	4
1	NUT, 1/4-20	-	5

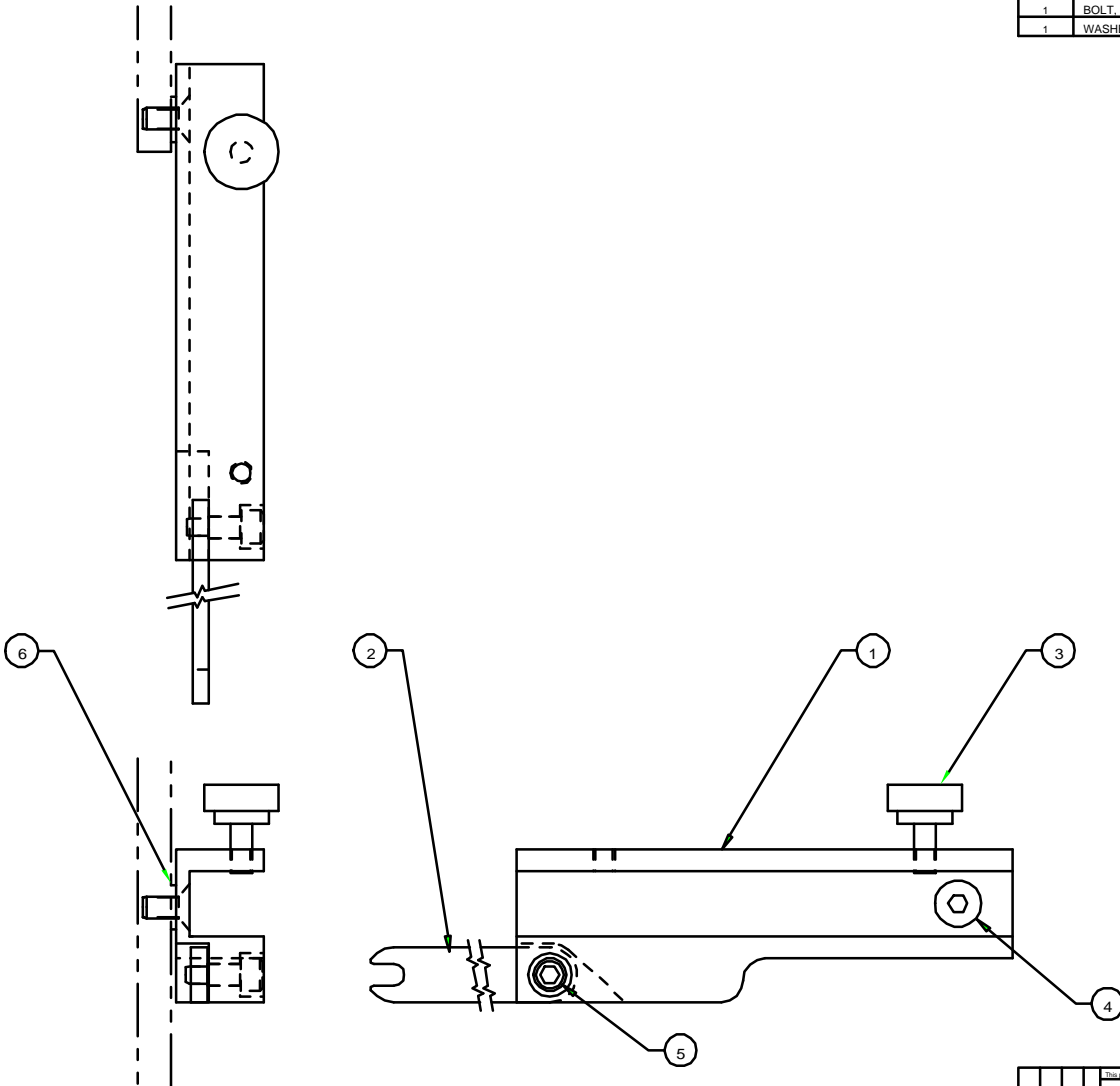


-086 ASSEMBLY

SCALE: 1/2

UNLESS OTHERWISE SPECIFIED TOLERANCE				Pro-Tech Engineering 2117 N. Sougham Rd. Madison, Wisconsin 53704 Phone (608) 246-8844 Fax (608) 246-4685			
DIM. AS SHOWN	TOL.	FINISH TO BE	TITLE	DATE	DRAWN BY	DWG SCALE	Dwg
X.X	P. 1/64	√	#REF!	#REF!	#REF!	#REF!	#REF!
X	P. .050		#REF!				
X.X	P. .020						
X.XX	P. .010	ANGLES P. 10					
X.XXX	P. .005						

REQ'D	DESCRIPTION	PART NO.	ITEM
1	BRACKET, TABLE, REAR, RT	510-067	1
1	SUPPORT, BRACKET	X92-0125	2
1	KNOB, LOCK-DOWN, TABLE	465-200	3
1	SCREW, ALLEN, FLT HD, 1/4-20 X 1/2	-	4
1	BOLT, SHOULDER, 1/4 X 3/8	-	5
1	WASHER, FLAT, 1/4	-	6

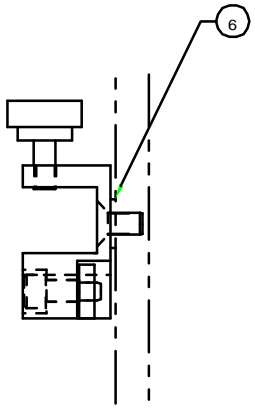
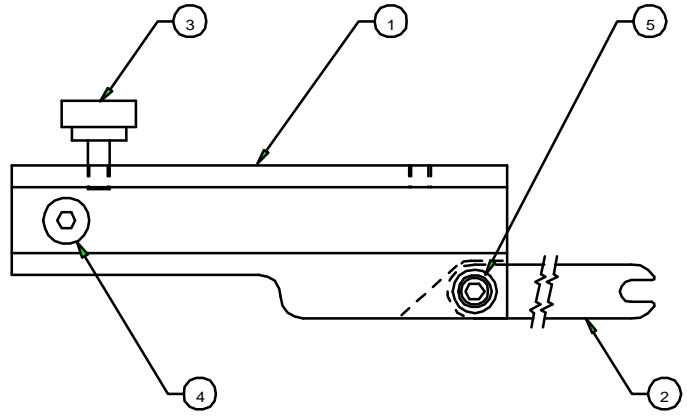
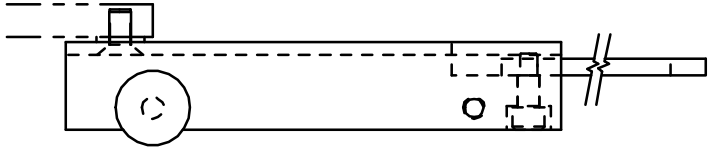


-087 ASSEMBLY

SCALE: 1/1

UNLESS OTHERWISE SPECIFIED TOLERANCE				Pro-Tech Engineering			
2117 N. Sloughton Rd. Madison, Wisconsin 53704				Phone (608) 246-8844 Fax (608) 246-4685			
DIM. AS SHOWN		TOL.	FINISH	TITLE:		DRAWN BY:	
XX		P.164	TO BE	#REF!		#REF!	
X		P.050	100	#REF!		#REF!	
X.X		P.020					
X.XX		P.010	ANGLES	DATE:	DATE:	DWG SCALE:	Dwg
X.XXX		P.005	P.10	#REF!	#REF!	#REF!	001 - 087

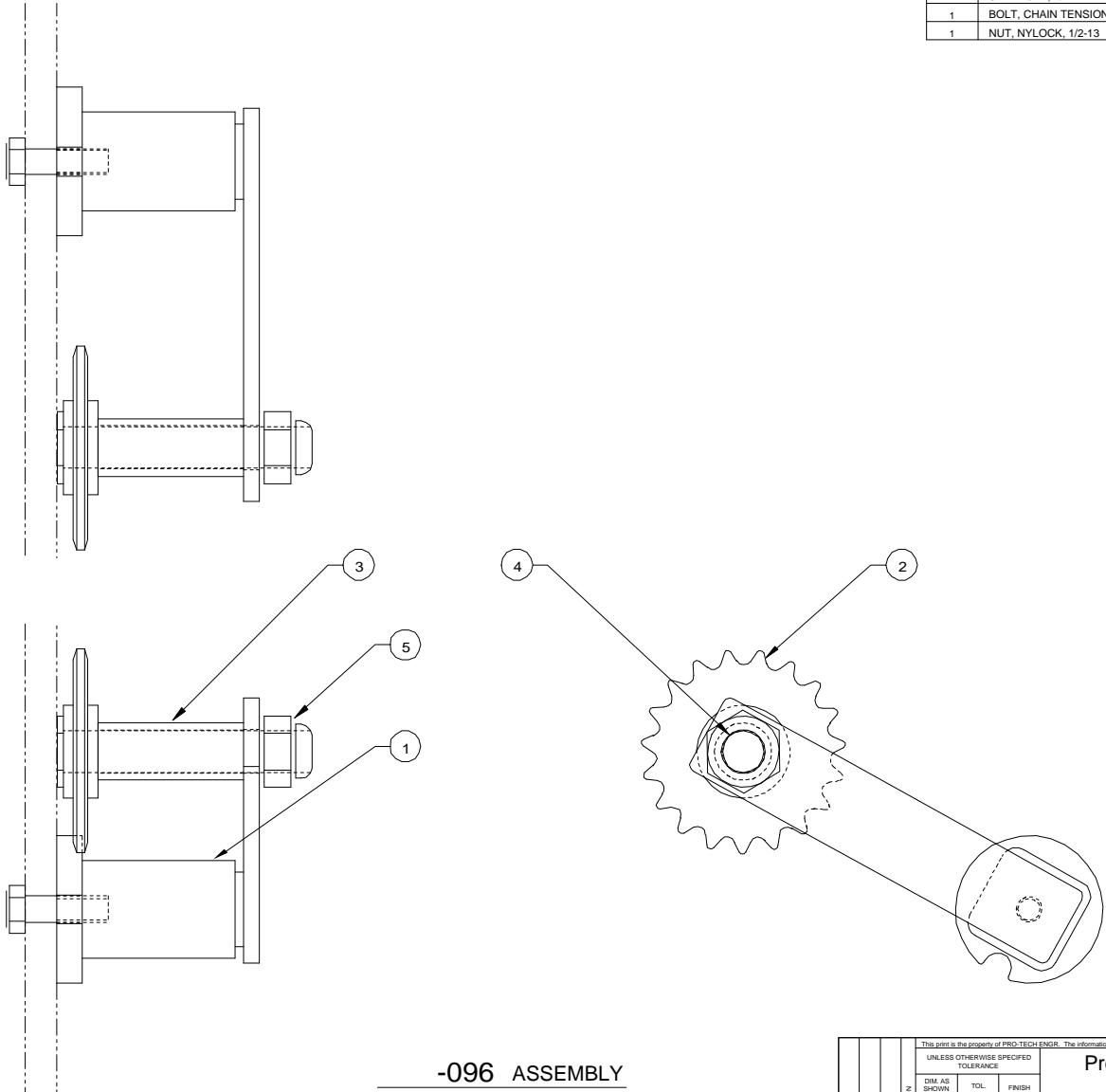
REQ'D	DESCRIPTION	PART NO.	ITEM
1	BRACKET, TABLE, REAR, LF	510-069	1
1	SUPPORT, BRACKET	X92-0125	2
1	KNOB, LOCK-DOWN, TABLE	465-200	3
1	SCREW, ALLEN, FLT HD, 1/4-20 X 1/2 LG	-	4
1	BOLT, SHOULDER, 1/4 X 3/8	-	5
1	WASHER, FLAT, 1/4	-	6



-088 ASSEMBLY
SCALE: 1/1

UNLESS OTHERWISE SPECIFIED TOLERANCE:		FINISH TO BE:		Pro-Tech Engineering 2117 N. Stoughton Rd. Madison, Wisconsin 53704 Phone (608) 246-8844 Fax (608) 246-4685	
DIM. AS SHOWN	TOL.	XX	P.164	TITLE	
X	P.020	X	P.020	Bracket, Table, Rear, Left	
X,X	P.020	X,X	P.020	ORCA III	
X,XX	P.010	ANGLES P TO	DATE	DATE	DRAWN BY:
X,XXX	P.005		#REF!	#REF!	DWG SCALE: Dwg
			#REF!	#REF!	001 - 088

REQ'D	DESCRIPTION	PART NO.	ITEM
1	TENSIONER, CHAIN	440-150	1
1	SPROCKET, 19T	440-130	2
1	STANDOFF, 1/2 ID X 1-3/4	755-000	3
1	BOLT, CHAIN TENSIONER	X93-0047	4
1	NUT, NYLOCK, 1/2-13	-	5

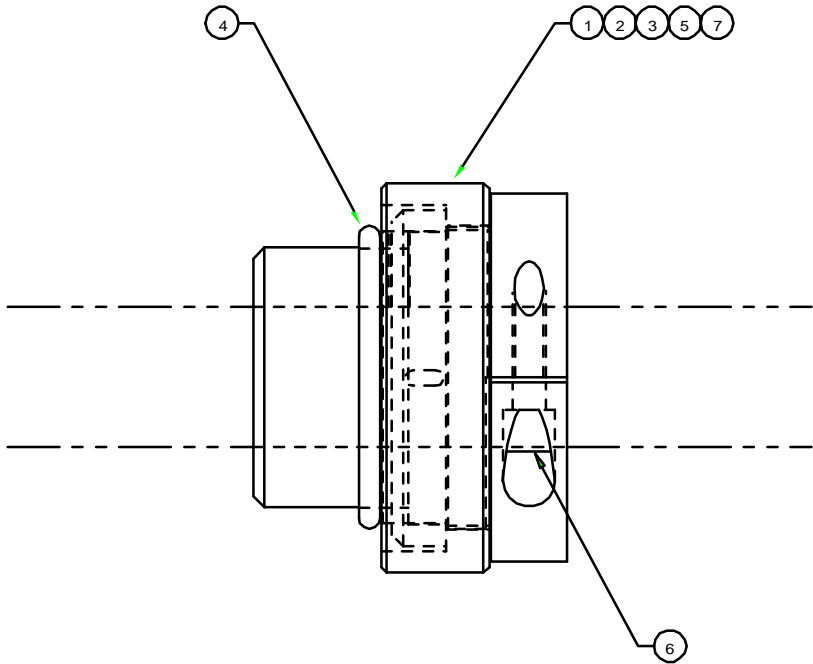


-096 ASSEMBLY

SCALE: 1/1

<small>This print is the property of PRO-TECH ENGR. The information thereon is reprinted in confidence.</small>			
UNLESS OTHERWISE SPECIFIED TOLERANCE:			
DIM. AS SHOWN	TOL.	FINISH TO BE	Pro-Tech Engineering 2117 N. Sloughon Rd. Madison, Wisconsin 53704 Phone (608) 248-8844 Fax (608) 248-8645
.XX	F .004		
.X	F .050	125	
.XX	F .020		
.XXX	F .010	ANGLES P.D.	
.XXX	F .005		DATE: 3-3-94 DRAWN BY: P.R. DWG SCALE: C1 Dwg: 001-096

REQ'D	DESCRIPTION	PART NO.	ITEM
1	COLLAR, BRAKE	515-050	1
1	COLLAR, ADJUST	515-051	2
1	COLLAR, LOCK, BRAKE	515-053	3
1	O-RING, 2-7/8	480-010	4
1	SET SCREW, 1/4-20 HALF DOG PT	-	5
1	CAP SCREW, SOCKET, 3/8-24 X 1-1/4	-	6
1	SPRING, WAVE	089-120	7

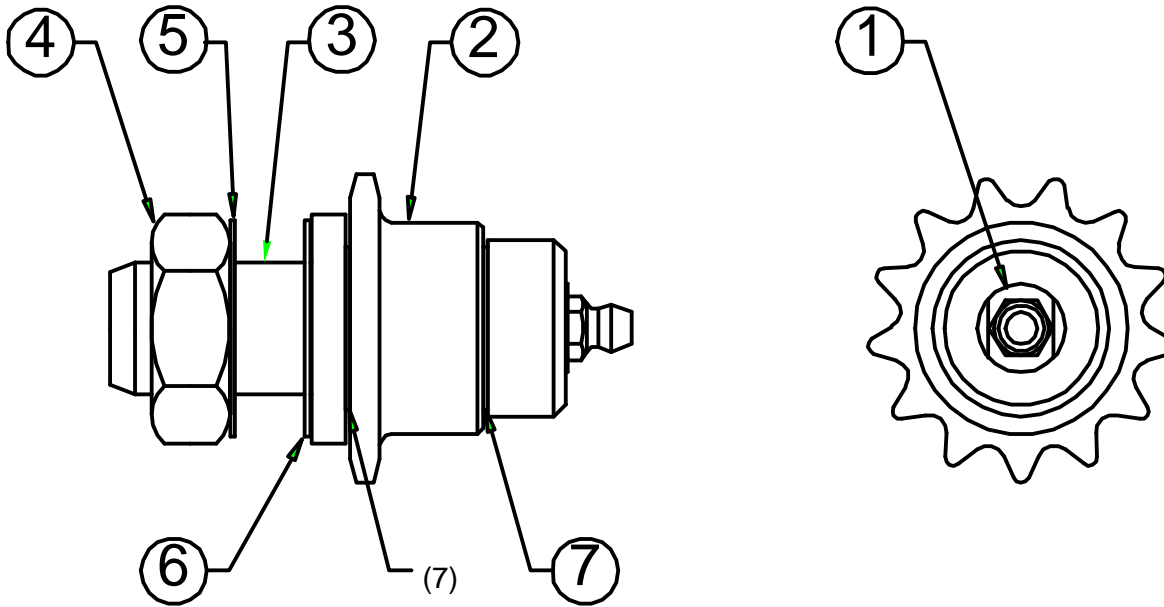


-100 ASSEMBLY

SCALE: 1/1

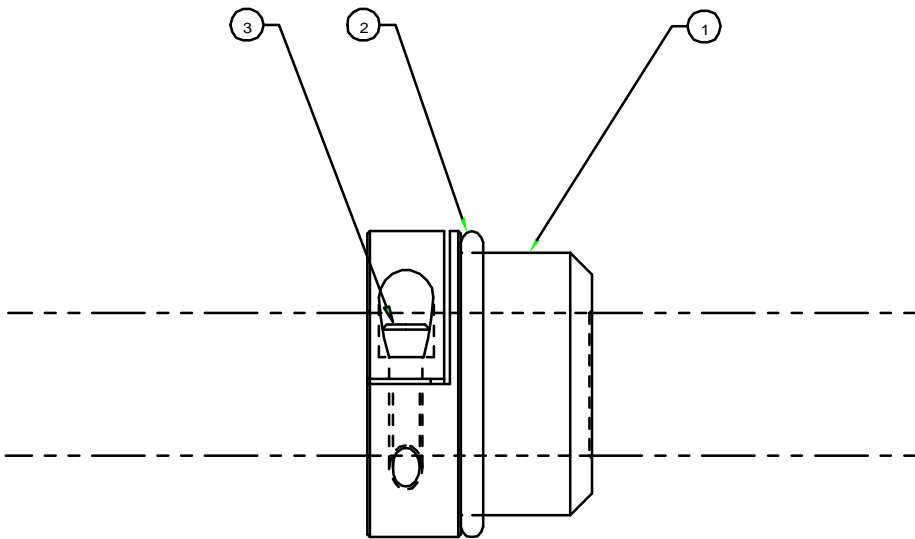
UNLESS OTHERWISE SPECIFIED TOLERANCE:		FINISH TO BE		TITLE	
DIM AS SHOWN	TOL.	1/4		Pro-Tech Engineering	
XX	P. 1/64	1/2		2117 N. Sloughton Rd. Madison, Wisconsin 53704	
X	P. 050	1/2	<input checked="" type="checkbox"/>	Phone (608) 246-8844 Fax (608) 246-8845	
XX	P. 020			DATE: _____ DRAWN BY: _____ DWG SCALE: _____ Dwg: 001 - 100	
XXX	P. 010	ANGLES P. 10		#REF!	#REF!
XXX	P. 005			#REF!	#REF!

REQ'D	DESCRIPTION	PART NO.	ITEM
1	SHAFT, IDLER	440-110	1
1	SPROCKET, 13T	440-125	2
1	BOLT, MOD., 3/4-16 X 1	505-002	3
1	NUT, JAM, 3/4-16	-	4
1	WASHER, THRUST	032-291	5
1	WASHER, STAR, INT. TOOTH, 3/4	068-002	6
2	WASHER, THRUST	032-130	7



<small>This print is the property of PRO-TECH ENGR. The information thereon is remitted in confidence.</small>			
UNLESS OTHERWISE SPECIFIED TOLERANCE			Pro-Tech Engineering 2117 N. Stoughton Rd. Madison, Wisconsin 53704 Phone (608) 246-8844 Fax (608) 246-4685
DIM. AS SHOWN	TOL.	FINISH TO BE	
X/X	P 1/64	125√	TITLE: Assembly, Sprocket, Idler, Adjustable Primary Chain ORCA III
X.	P .050		
X.X	P .020		
X.XX	P .010	ANGLES P 1D	
X.XXX	P .005		
DATE:	DRAWN BY:	DWG SCALE:	Dwg:
#REF!	#REF!	#REF!	001 - 102

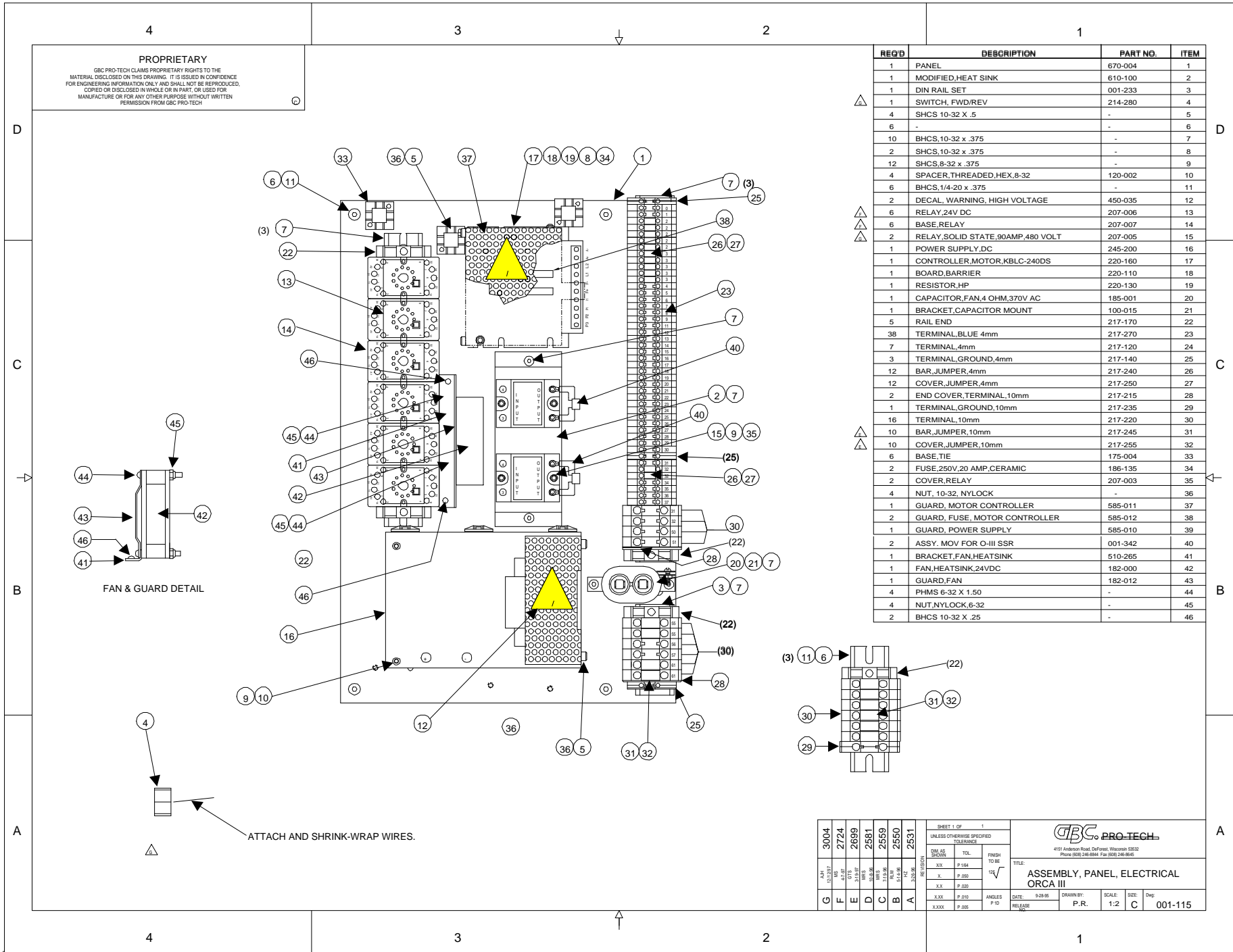
REQ'D	DESCRIPTION	PART NO.	ITEM
1	COLLAR, LOCK, CORE END	640-020	1
1	O-RING, 2-7/8	480-005	2
1	CAP SCREW, SOCKET, 3/8-24 X 1-1/4	-	3



-114 ASSEMBLY

SCALE: 1/1

DIM. AS SHOWN X X.X X.XX X.XXX		TOL. P.164 P.020 P.020 P.010 P.005		FINISH TO BE 15° ANGLER P 10		DATE #REF!		DRAWN BY: #REF!		DWG SCALE: #REF!		Dwg 001 - 114	
REVISION 1077 A		Pro-Tech Engineering 2117 N. Slaughter Rd. Madison, Wisconsin 53704 Phone (608) 246-8844 Fax (608) 246-8845											
TITLE Collar, Core End, Unwind ORCA III													



PROPRIETARY
 GBC PRO-TECH CLAIMS PROPRIETARY RIGHTS TO THE MATERIAL DISCLOSED ON THIS DRAWING. IT IS ISSUED IN CONFIDENCE FOR ENGINEERING INFORMATION ONLY AND SHALL NOT BE REPRODUCED, COPIED OR DISCLOSED IN WHOLE OR IN PART, OR USED FOR MANUFACTURE OR FOR ANY OTHER PURPOSE WITHOUT WRITTEN PERMISSION FROM GBC PRO-TECH

REQ'D	DESCRIPTION	PART NO.	ITEM
1	PANEL	670-004	1
1	MODIFIED,HEAT SINK	610-100	2
1	DIN RAIL SET	001-233	3
1	SWITCH, FWD/REV	214-280	4
4	SHCS 10-32 X .5	-	5
6	-	-	6
10	BHCS,10-32 x .375	-	7
2	SHCS,10-32 x .375	-	8
12	SHCS,8-32 x .375	-	9
4	SPACER,THREADED,HEX,8-32	120-002	10
6	BHCS,1/4-20 x .375	-	11
2	DECAL, WARNING, HIGH VOLTAGE	450-035	12
6	RELAY,24V DC	207-006	13
6	BASE,RELAY	207-007	14
2	RELAY,SOLID STATE,90AMP,480 VOLT	207-005	15
1	POWER SUPPLY,DC	245-200	16
1	CONTROLLER,MOTOR,KBLC-240DS	220-160	17
1	BOARD,BARRIER	220-110	18
1	RESISTOR,HP	220-130	19
1	CAPACITOR,FAN,4 OHM,370V AC	185-001	20
1	BRACKET,CAPACITOR MOUNT	100-015	21
5	RAIL END	217-170	22
38	TERMINAL,BLUE 4mm	217-270	23
7	TERMINAL,4mm	217-120	24
3	TERMINAL,GROUND,4mm	217-140	25
12	BAR,JUMPER,4mm	217-240	26
12	COVER,JUMPER,4mm	217-250	27
2	END COVER,TERMINAL,10mm	217-215	28
1	TERMINAL,GROUND,10mm	217-235	29
16	TERMINAL,10mm	217-220	30
10	BAR,JUMPER,10mm	217-245	31
10	COVER,JUMPER,10mm	217-255	32
6	BASE,TIE	175-004	33
2	FUSE,250V,.20 AMP,CERAMIC	186-135	34
2	COVER,RELAY	207-003	35
4	NUT, 10-32, NYLOCK	-	36
1	GUARD, MOTOR CONTROLLER	585-011	37
2	GUARD, FUSE, MOTOR CONTROLLER	585-012	38
1	GUARD, POWER SUPPLY	585-010	39
2	ASSY. MOV FOR O-III SSR	001-342	40
1	BRACKET,FAN,HEATSINK	510-265	41
1	FAN,HEATSINK,24VDC	182-000	42
1	GUARD,FAN	182-012	43
4	PHMS 6-32 X 1.50	-	44
4	NUT,NYLOCK,6-32	-	45
2	BHCS 10-32 X .25	-	46

REV	DATE	BY	CHKD	APP'D	DESCRIPTION
3004					
2724					
2699					
2581					
2559					
2550					
2531					

SHEET 1 OF 1
 UNLESS OTHERWISE SPECIFIED TOLERANCE:
 DIM AS SHOWN TOL FINISH TO BE
 .XX P.184
 .X P.200
 .XX P.200
 .XXX P.010
 .XXXX P.005

DATE: 9-28-85
 DRAWN BY: P.R.
 SCALE: 1:2
 SIZE: C
 Dwg: 001-115

GBC PRO-TECH
 4151 Anderson Road, DanFoss, Wisconsin 53523
 Phone (262) 482-8844 Fax (262) 482-8845

TITLE:
**ASSEMBLY, PANEL, ELECTRICAL
 ORCA III**

FAN & GUARD DETAIL

ATTACH AND SHRINK-WRAP WIRES.

REQ'D	DESCRIPTION	PART NO.	ITEM

NOTES:
 FINISH: GRAY POWDERCOAT BASE ON ALUM. (7035 SMOOTH FINISH)
 REFLEX BLUE SCREEN PRINTING

MATERIAL: 670-001 CONTROL PANEL, FRONT
 450-502 SCREEN PRINT, CNTL PNL, FR

This print is the property of PRO-TECH ENGR. The information thereon is reprinted in confidence.

Pro-Tech Engineering
 2117 N. Stoughton Rd. Madison, Wisconsin 53704
 Phone (608) 246-8844 Fax (608) 246-8645

TITLE:
**CONTROL PANEL, FRONT
 ORCA III**

DATE: 4-27-94
 DRAWN BY: P.R.
 DWG SCALE: A2
 Dwg: 001-117

UNLESS OTHERWISE SPECIFIED TOLERANCE		FINISH TO BE
DIM. AS SHOWN	TOL.	125
XX	P .1/64	
X	P .050	
XX	P .020	
XXX	P .010	
X.XXX	P .005	

REVISION

REQ'D	DESCRIPTION	PART NO.	ITEM

FINISH: GRAY POWDERCOAT BASE ON ALUM. (7035 SMOOTH FINISH)
REFLEX BLUE SCREEN PRINTING

MATERIAL: 670-003 CONTROL PANEL, REAR
450-505 SCREEN PRINT, CNTL PNL, RR

NOTE: 2 PLACE DECIMAL P. 030

This print is the property of PRO-TECH ENGR. The information thereon is remitted in confidence.

UNLESS OTHERWISE SPECIFIED TOLERANCE

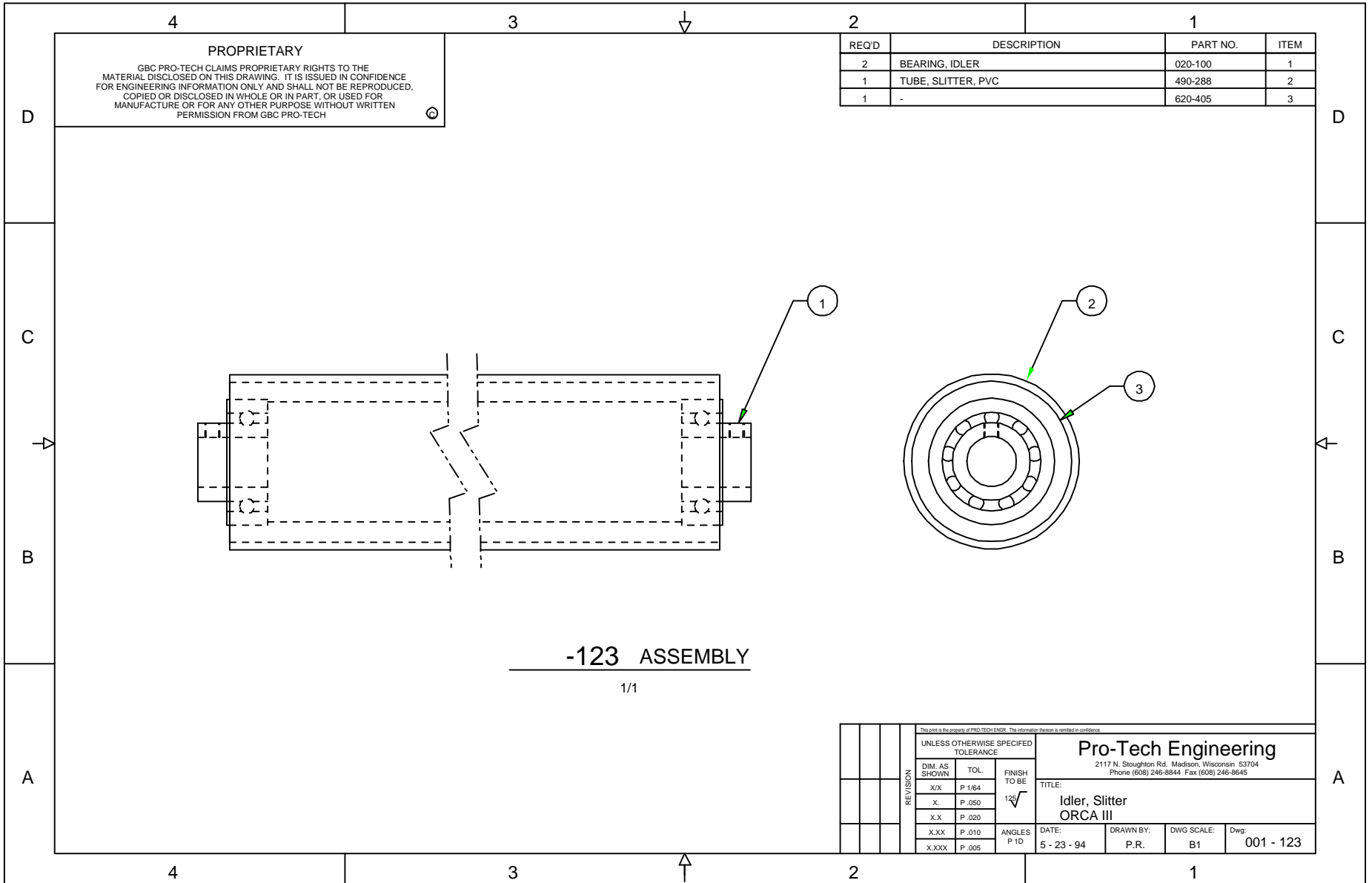
DIM AS SHOWN	TOL.	FINISH TO BE
.X/X	P .1/64	125
X.	P .050	
X.X	P .020	
X.XX	P .010	ANGLES P 1 D
X.XXX	P .005	

Pro-Tech Engineering
2117 N. Stoughton Rd. Madison, Wisconsin 53704
Phone (608) 246-8844 Fax (608) 246-8645

TITLE:
ASSY, SCREEN PRINT, CNTL PNL REAR, ORCA III

DATE: 04-28-94
DRAWN BY: P.R.
DWG SCALE: A2
DWG: 001-121

REVISION



PROPRIETARY
GBC PRO-TECH CLAIMS PROPRIETARY RIGHTS TO THE MATERIAL DISCLOSED ON THIS DRAWING. IT IS ISSUED IN CONFIDENCE FOR ENGINEERING INFORMATION ONLY AND SHALL NOT BE REPRODUCED, COPIED OR DISCLOSED IN WHOLE OR IN PART, OR USED FOR MANUFACTURE OR FOR ANY OTHER PURPOSE WITHOUT WRITTEN PERMISSION FROM GBC PRO-TECH

REQD	DESCRIPTION	PART NO.	ITEM
2	BEARING, IDLER	020-100	1
1	TUBE, SLITTER, PVC	490-288	2
1	-	620-405	3

UNLESS OTHERWISE SPECIFIED TOLERANCE				Pro-Tech Engineering 2117 N. Stoughton Rd. Madison, Wisconsin 53704 Phone (608) 246-8844 Fax (608) 246-8645			
DIM. AS SHOWN	TOL.	FINISH TO BE	TITLE:				
X/X	P. 1/64	125	Idler, Slitter ORCA III				
X	P. .050		DATE:	DRAWN BY:	DWG SCALE:	Dwg:	
X.X	P. .020		5 - 23 - 94	P.R.	B1	001 - 123	
X.XX	P. .010	ANGLES P-ID					
X.XXX	P. .005						

MACHINE IDENTIFIER ——— YEAR
 MONTH ——— SEQUENTIAL NUMBER

O6308941234

**USERIAL NUMBER
 UEXAMPLE**

REQ'D	DESCRIPTION	PART NO.	ITEM
1	SERIAL PLATE, UL	450-016	1
1	TYPEWRITER RIBBON, UL RECOGNIZED	450-024	2
1	DECAL, TUV LOGO	450-017	3

**PRO-TECH ENGINEERING, INC.
 MADISON, WISCONSIN**

THIS DEVICE COMPLIES WITH PART 15 OF FCC RULES. OPERATION IS SUBJECT TO THE FOLLOWING TWO CONDITIONS: (1) THIS DEVICE MAY NOT CAUSE HARMFUL INTERFERENCE, AND (2) THIS DEVICE MUST ACCEPT ANY INTERFERENCE RECEIVED, INCLUDING INTERFERENCE THAT MAY CAUSE UNDESIREED OPERATION.

Model No. **ORCA 3** Serial No. **O63XXXXXXXXX**

220-240 VAC **230/400**

50/60 Hz **50**

55 Amps **25**

1 Phase **3 N**

3 Wires **5**

U.S. PATENT NOS: 5,316,609 5,114,520

CISPR 22 CLASS B

MADE IN U.S.A.

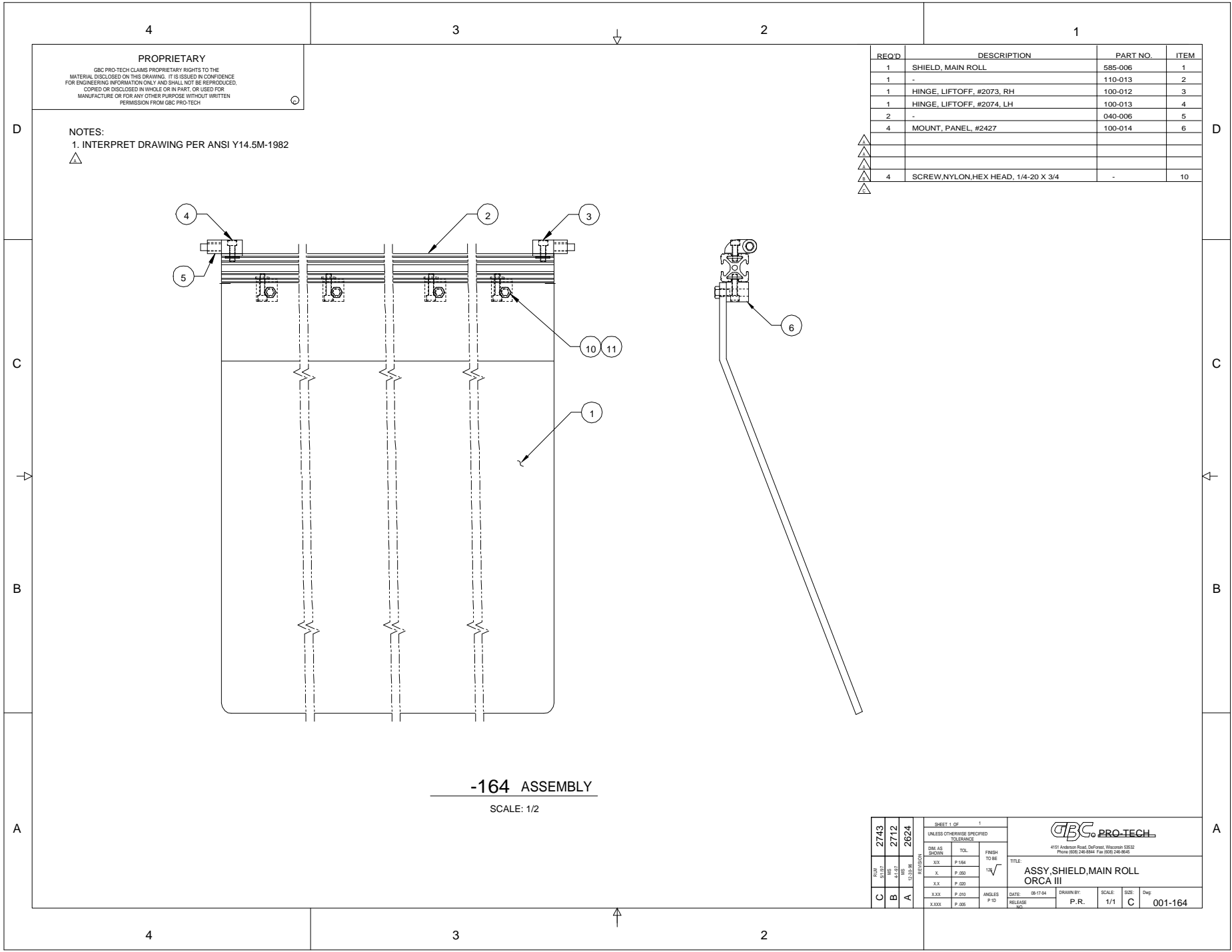
SEE EXAMPLE (UL logo)

PLACE TUV STICKER HERE (TUV logo)

NOTES:

1. TYPE IN MODEL, SERIAL NUMBER, RATINGS, AND MISC. NOTES AS SHOWN.
2. USE ONLY TYPEWRITER RIBBON UL RECOGNIZED FOR USE WITH TAILORED LABEL PRODUCT MATERIAL NUMBER TLP 305. (SEE ABOVE)

This print is the property of PRO-TECH ENGR. The information thereon is remitted in confidence.			
UNLESS OTHERWISE SPECIFIED TOLERANCE		Pro-Tech Engineering 2117 N. Stoughton Rd. Madison, Wisconsin 53704 Phone (608) 246-8844 Fax (608) 246-8645	
DIM. AS SHOWN	TOL.		
X/X	P 1/64	125√	TITLE:
X.	P .050		ASSY, SERIAL PLATE ORCA III
X.X	P .020	ANGLES P 1D	DATE: 11-30-94
X.XX	P .010		DRAWN BY: GTS
X.XXX	P .005		DWG SCALE: A1
			Dwg: 001-160



PROPRIETARY
 GBC PRO-TECH CLAIMS PROPRIETARY RIGHTS TO THE MATERIAL DISCLOSED ON THIS DRAWING. IT IS ISSUED IN CONFIDENCE FOR ENGINEERING INFORMATION ONLY AND SHALL NOT BE REPRODUCED, COPIED OR DISCLOSED IN WHOLE OR IN PART OR USED FOR MANUFACTURE OR FOR ANY OTHER PURPOSE WITHOUT WRITTEN PERMISSION FROM GBC PRO-TECH

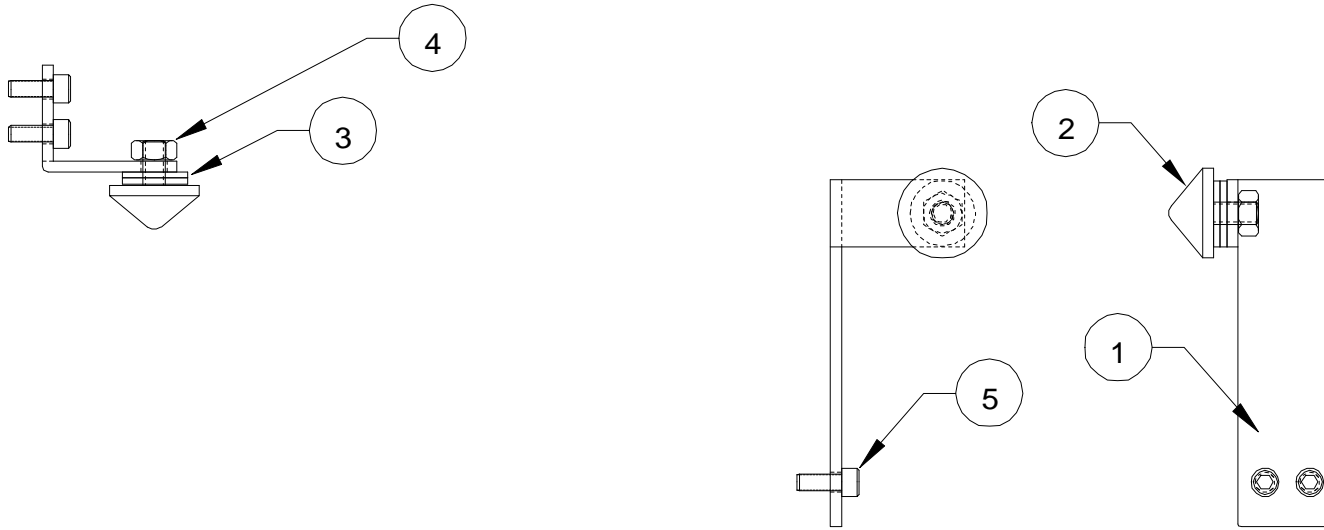
NOTES:
 1. INTERPRET DRAWING PER ANSI Y14.5M-1982
 ▲

REQ'D	DESCRIPTION	PART NO.	ITEM
1	SHIELD, MAIN ROLL	585-006	1
1	-	110-013	2
1	HINGE, LIFTOFF, #2073, RH	100-012	3
1	HINGE, LIFTOFF, #2074, LH	100-013	4
2	-	040-006	5
4	MOUNT, PANEL, #2427	100-014	6
4	SCREW, NYLON, HEX HEAD, 1/4-20 X 3/4	-	10

REV	2743	SHEET 1 OF 1	
DATE	2712	UNLESS OTHERWISE SPECIFIED	
BY	2624	TOLERANCE	
APP		DIM AS SHOWN	FRACTION TO BE 1/8
REV		XXX	P.164
		XX	P.164
		X	P.164
		X.X	P.164
		X.XX	P.164
		X.XXX	P.164
		ANGLES	P.10
		RELEASE	MP
DATE: 08-17-04		DRAWN BY: P.R.	SCALE: 1/1
TITLE: ASSY, SHIELD, MAIN ROLL ORCA III		SIZE: C	001-164
4151 Anderson Road, DeForest, Wisconsin 53612 Phone (920) 248-8844 Fax (920) 246-8645		GBC PRO-TECH	

-164 ASSEMBLY
 SCALE: 1/2

REQ'D	DESCRIPTION	PART NO.	ITEM
1	BRKT, STOP, SHIELD, RIGHT	510 - 096	1
1	BUMPER, RUBBER, CONICAL	465-500	2
3	-	-	3
1	NUT, 1/4-20	-	4
2	SCREW, CAP, 10-32 X 1/2 LG	-	5

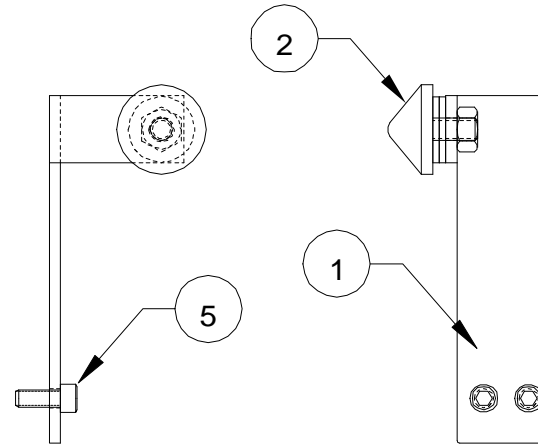
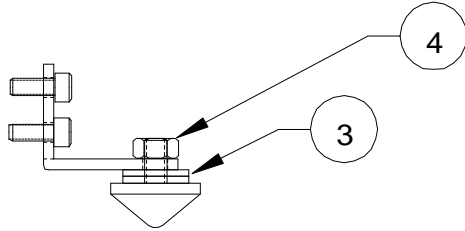


-165 ASSEMBLY

SCALE: 1/2

This print is the property of PRO-TECH ENGR. The information thereon is remitted in confidence.						
UNLESS OTHERWISE SPECIFIED TOLERANCE			Pro-Tech Engineering 2117 N. Stoughton Rd. Madison, Wisconsin 53704 Phone (608) 246-8844 Fax (608) 246-8645			
REVISION	DIM. AS SHOWN	TOL.				
	X/X	P 1/64	125√	ASSEMBLY, BRACKET, STOP, SHIELD RIGHT, ORCA III		
	X.	P .050				
	X.X	P .020	ANGLES P 1D	DATE:	DRAWN BY:	DWG SCALE:
	X.XX	P .010		#REF!	#REF!	#REF!
	X.XXX	P .005				Dwg: 001 - 165

REQ'D	DESCRIPTION	PART NO.	ITEM
1	BRKT, STOP, SHIELD, LF	510-097	1
1	BUMPER, RUBBER, CONICAL	465-500	2
3	-	-	3
1	NUT, 1/4-20	-	4
2	SCREW, CAP, 10-32 X 1/2 LG	-	5




-166 ASSEMBLY

SCALE: 1/2

This print is the property of PRO-TECH ENGR. The information thereon is remitted in confidence.					
UNLESS OTHERWISE SPECIFIED TOLERANCE			Pro-Tech Engineering 2117 N. Stoughton Rd. Madison, Wisconsin 53704 Phone (608) 246-8844 Fax (608) 246-8645		
REVISION	DIM. AS SHOWN	TOL.			
	X/X	P 1/64	125√	ASS'Y, BRACKET, STOP, SHIELD LEFT- ORCA 3	
	X.	P .050			
	X.X	P .020			
	X.XX	P .010	ANGLES P 1D	DATE: 8-17-94	DRAWN BY: P.R.
	X.XXX	P .005		DWG SCALE: A2	Dwg: 001-166

REQ'D	DESCRIPTION	PART NO.	ITEM
4	ASSY, SLITTER, INFEED/OUTFEED	001-122	1
4	CARRIER, FUSE, INTERNATIONAL	186-001	2
4	FUSE, 1-1/4X1/4, SB, 3AG	186-200	3
4	PAD, LEVELING	470-100	4
1	TAPE, MASKING	475-000	5
1	BOX, ACCESSORY	475-010	6
1	MEASURE, TAPE,	475-100	7
1	WRENCH, ALLEN, T-HANDLE, 5/16	475-220	8
1	WRENCH SET, ALLEN	475-230	9
2	BLADE, SLITTER, HOOKED	475-300	10
1	KNIFE, ZIPPY	475-620	11
△ _D	1 COUPLING, 1/4, AIR FITTING	330-000	12
△ _D	1 AIR HOSE, W/FITTINGS, 12FT	360-000	13
	4 O-RING, BRAKE	480-005	14
			15
			16
1	ERASER, CHARRETTE	930320	17
1	MANUAL, OPERATION, ORCA II	930402	18
2	ASSY, SLITTER, OUTFEED	001-109	19
1	BRAKE PAD, UNWIND/REWIND	375-000	20
1	BRAKE, MOUNTED, UNWIND/REWIND	625-006	21
1	WRENCH, ALLEN, 1/4, MOD.	485-001	22
1	BLADE, CIRCULAR	475-001	23
△ _E	1 STAIN RELIEF, MAIN POWER	175-201	24

E	MS	2965	REVISION	UNLESS OTHERWISE SPECIFIED TOLERANCE			 4151 Anderson Road, DeForest, Wisconsin 53532 Phone (608) 246-8844 Fax (608) 246-8645	TITLE: Assembly, Accessory Pack		
	10-6-97			DIM. AS SHOWN	TOL.	FINISH TO BE				
	AJT	2559		X/X	P 1/64	125√				
	06-07-96			X.	P .050					
	RLM	2538		X.X	P .020	ANGLES P 1D				
4-10-96		X.XX	P .010							
RLM	2499	X.XXX	P .005							
B	12-13-95		A	6-1-95	DATE:	DRAWN BY:	DWG SCALE:	Dwg:	001 - 170	

NOTES:

THIS KIT IS FOR MODEL OF ORCA 3
 USING DC CURRENT EXCLUSIVELY.
 KIT COVERS SERIAL NUMBERS 06305941078 ON

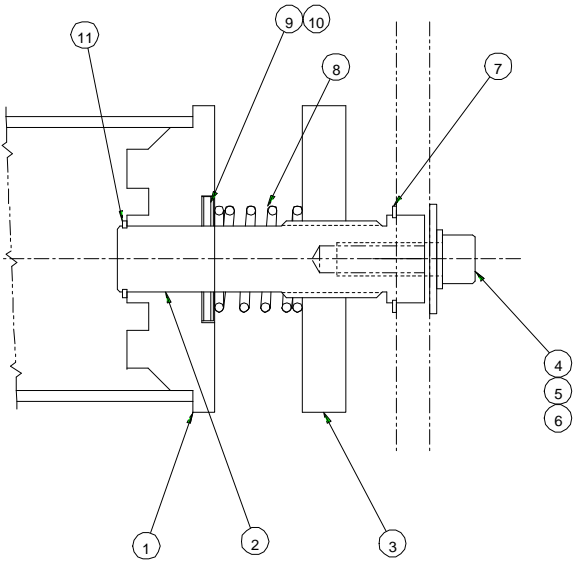
REQ'D	DESCRIPTION	PART NO.	ITEM
1	POWER SUPPLY, 24VDC, 3.6A	245-200	-
1	TAPE, REFLECTIVE	780-004	-
1	CAPACITOR	185-001	-
5	CABLE TIE BASES	175-004	-
1	THERMOSTAT, UPPER, 160%±D	230-004	-
1	THERMOSTAT, LOWER, 140%±D	230-000	-
1	MICROSWITCH, SAFETY CABLE	214-330	-
1	VALVE, CYLINDER ADJUST	330-130	-
1	SWITCH, PROXIMITY	219-001	-
1	CIRCUIT BREAKER, 30-30-10	186-007	-
1	RELAY, SOLID STATE, DC INPUT	207-002	-
1	SENSOR, INFRA RED	230-006	-
2	-	068-003	-
2	TUBE, REWIND	860-000	-
3	FUSE, 1/4 X 1-1/4 S.B.	186-200	-
1	MOTOR, DRIVE	425-135	-
1	CONTROL BOARD, MOTOR	220-160	-
1	RESISTOR, 1/4 HP	220-130	-
1	RELAY, CONTROL, 24VDC	207-000	-
6	O-RING, UNWIND BRAKE	480-005	-
1	CYLINDER, PULL ROLL	320-300	-
2	-	540-546	-

REQ'D	DESCRIPTION	PART NO.	ITEM
1	CYLINDER, MAIN ROLL	320-310	-
1	CONTROLLER, HEATER	230-001	-
1	VALVE, AIR, SOLENOID, 24VDC	350-115	-
1	SWITCH, RUN/STOP	214-290	-
1	SWITCH, ON/OFF	214-270	-
1	SWITCH, FWD/REV	214-280	-
1	GAUGE, PRESSURE, 0-100, 1/8	340-113	-
1	REGULATOR, AIR	340-150	-
1	FILTER, AC LINE, 30A	185-002	-
1	FILTER, RF, MOTOR BOARD	185-003	-
1	PHOTOEYE, 24VDC	250-000	-
2	HEATER, TUBULAR, 5500W@220VAC	189-332	-

ECN
 REV CHANGED
 INITIALS
 DATE

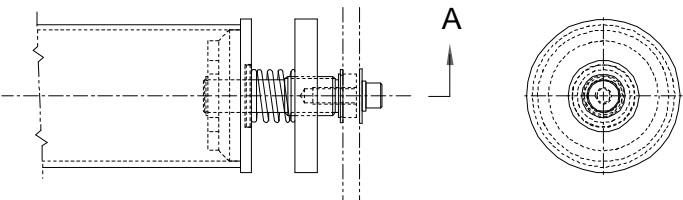
This print is the property of PRO-TECH ENGR. The information thereon is rendered in confidence.									
UNLESS OTHERWISE SPECIFIED TOLERANCE					Pro-Tech Engineering 2117 N. Slaughter Rd. Madison, Wisconsin 53704 Phone (608) 246-8844 Fax (608) 246-8645				
REVISION	DWG. AS SHOWN	TOL.	FINISH TO BE	TITLE:					
	XX	P.1/64	1/4	KIT, SPARE PARTS					
	X	P.050		ORCA 3					
	X.X	P.020		ANGLES	DATE	DRAWN BY:	DWG SCALE:	Dwg:	001-171
	X.XX	P.010		P.1D	12-22-94	P.R.	C1		
	X.XXX	P.005							

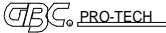
REQD	DESCRIPTION	PART NO.	ITEM
1	PLUG, CLUTCH, ORCA I	X92-0112	1
1	SHAFT, REWIND, STANDOFF	X92-0113	2
1	KNOB, CLUTCH, KNURLED	625-007	3
1	3/8-16 X 1 LG SHCS	-	4
1	3/8 FLATWASHER	-	5
1	3/8 LOCKWASHER	-	6
1	-	090-140	7
1	-	089-200	8
2	WASHER, THRUST, .030 THK	032-242	9
1	BEARING, THRUST	032-390	10
1	SNAP RING, 3/4 SHAFT, EXTERNAL	090-135	11



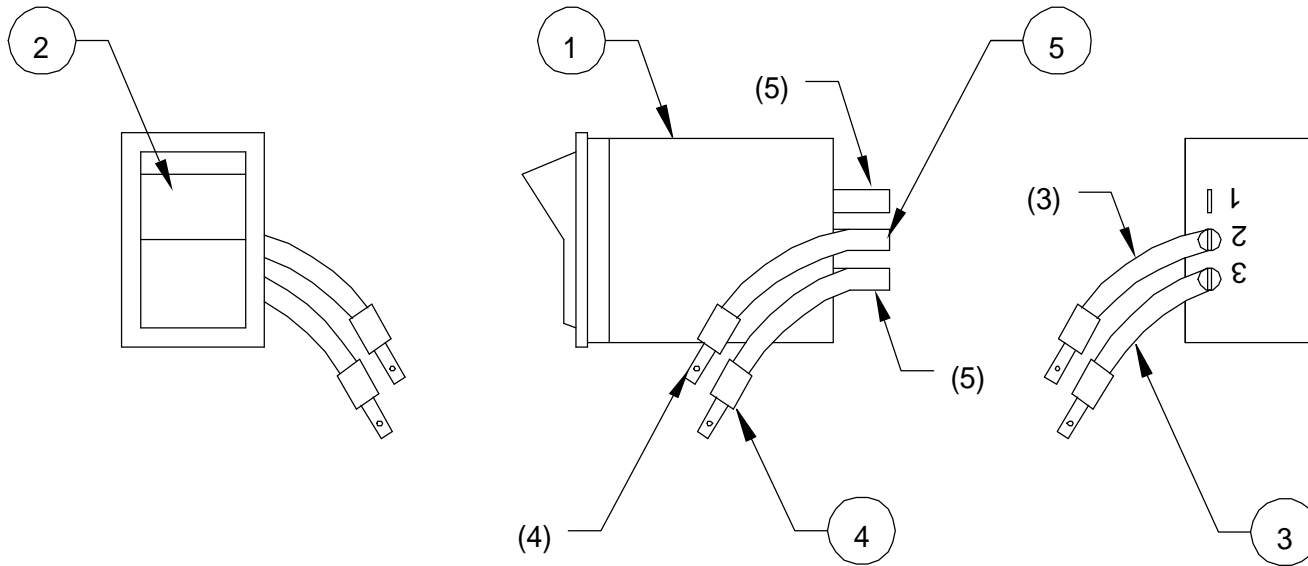
SECTION A-A

SCALE: 1/1



SHEET 1 OF 1		UNLESS OTHERWISE SPECIFIED TOLERANCE		 4151 Anderson Road, DuPont, Wisconsin 53022 Phone (808) 246-8844 Fax (808) 246-8845	
DIM. AS SHOWN X.X P.184 X. P.050 X.X P.020 X.XX P.010 X.XXX P.005	TOL. P.184 P.050 P.020 P.010 P.005	FINISH TO BE 12.5	TITLE: ASSY, REWIND, BRAKE ORCA III		
REVISION X.XX X.XXX	ANGLE P 10 P 10 P 05	DATE: 11-15-94 RELEASE	DRAWN BY: RAS	SCALE: 1:2	SIZE: C Dwg: 001-181

REQ'D	DESCRIPTION	PART NO.	ITEM
1	SWITCH, ON-OFF, FAN	214-270	1
1	COVER, ROCKER SWITCH, BLACK	214-296	2
2	-	-	3
2	DISCONNECT, MALE, .110	-	4
3	TUBING, HEAT SHRINK	-	5

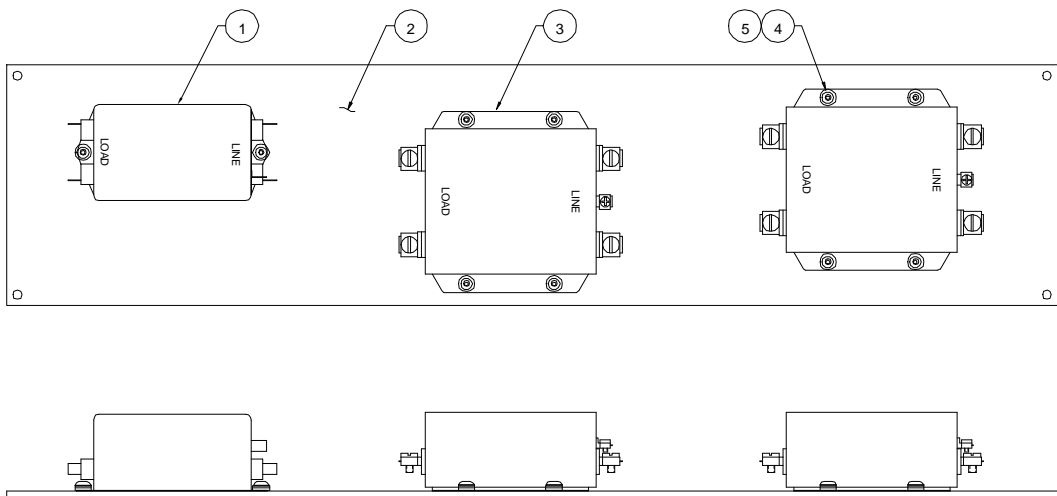


NOTES:

1. 22 GA. WIRE (ITEM 3) TO BE SOLDERED TO SWITCH TERMS 2 AND 3.
2. LABEL WIRE FROM TERM 2 #35
3. LABEL WIRE FROM TERM 3 #36

This print is the property of PRO-TECH ENGR. The information thereon is remitted in confidence.				
UNLESS OTHERWISE SPECIFIED TOLERANCE			Pro-Tech Engineering	
			2117 N. Stoughton Rd. Madison, Wisconsin 53704 Phone (608) 246-8844 Fax (608) 246-8645	
REVISION	DIM. AS SHOWN	TOL.	TITLE:	
	X/X	P 1/64	ASS'Y, SWITCH, FAN O3	
	X.	P .050		
	X.X	P .020	DATE:	DRAWN BY:
	X.XX	P .010	11-17-94	P.R.
X.XXX	P .005	ANGLES P 1D	DWG SCALE:	Dwg:
			A1	001-189

REQ'D	DESCRIPTION	PART NO.	ITEM
1	FILTER, MOTOR BOARD	185-003	1
1	PLATE, FILTER MOUNT	672-013	2
2	FILTER, AC LINE	185-002	3
10	BHCS, 6-32 X 1/4	-	4
10	WASHER, FLAT, #6	-	5



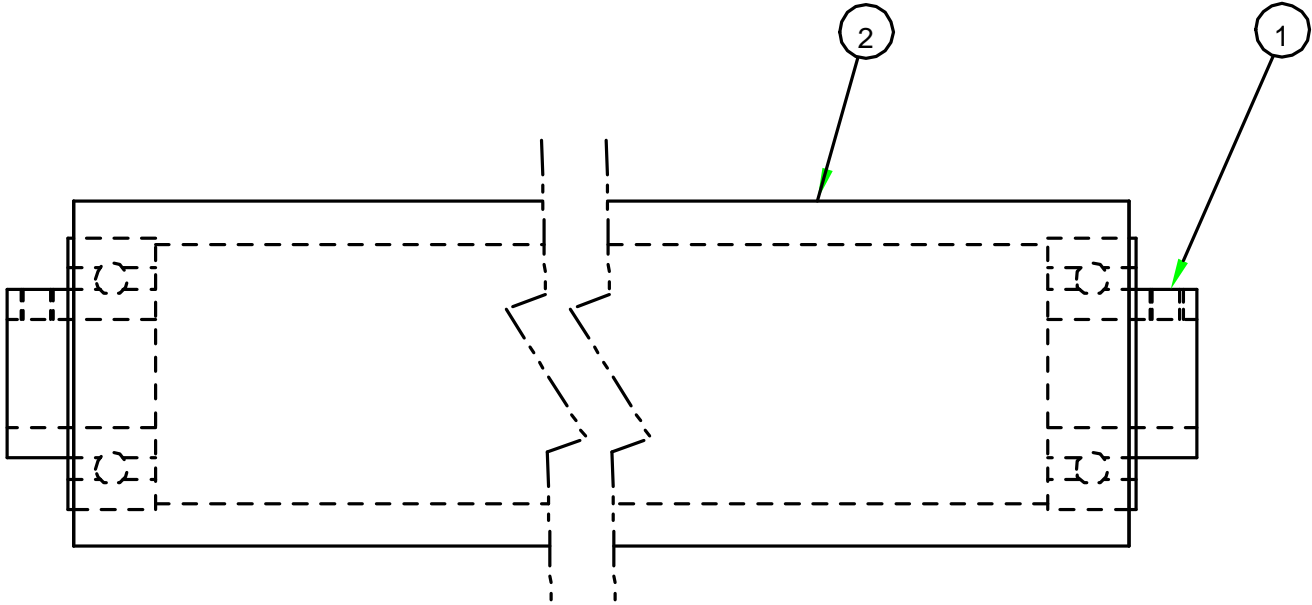
BHCS #10-32 x 1/4

APPLY LOCTITE BLUE

NOTE:
ALL GROUNDS ARE COLORED GREEN, 10" LONG TWISTED.

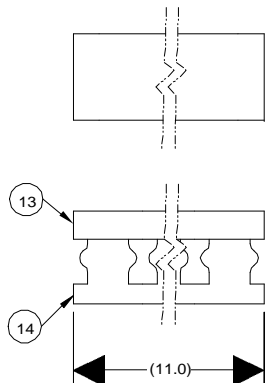
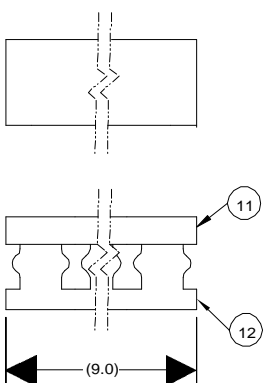
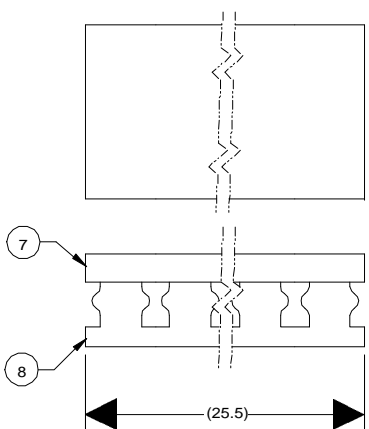
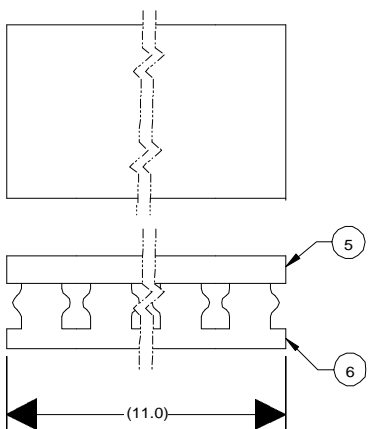
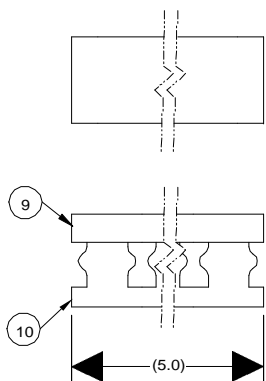
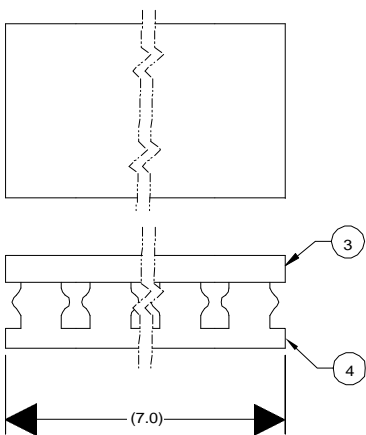
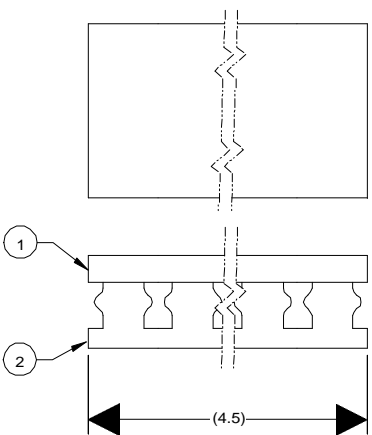
DIM AS SHOWN .XX P.184 X P.250 .XX P.220 .XXX P.210 .XXXX P.205		TOL. UNLESS OTHERWISE SPECIFIED P.184 P.250 P.220 P.210 P.205		FINISH TO BE RA		ANGLES P.10	
3010 A		THIS DRAWING IS THE PROPERTY OF PRO-TECH ENGR. THE INFORMATION HEREON IS RESTRICTED TO CONFIDENCE.		Pro-Tech Engineering 2117N. Stoutman Rd. Madison, Wisconsin 53704 Phone (608) 246-8844 Fax (608) 246-8645		TITLE: ASSEMBLY, NOISE FILTER	
DATE: 12-30-94		DRAWN BY: P.R.		DWG SCALE: C2		Dwg: 001-225	

REQ'D	DESCRIPTION	PART NO.	ITEM
2	BEARING, IDLER	020-100	1
1	-	620-405	2



<small>This print is the property of PRO-TECH ENGR. The information thereon is remitted in confidence.</small>						
UNLESS OTHERWISE SPECIFIED TOLERANCE			Pro-Tech Engineering 2117 N. Stoughton Rd. Madison, Wisconsin 53704 Phone (608) 246-8844 Fax (608) 246-8645			
DIM. AS SHOWN	TOL.	FINISH TO BE				
X/X	P 1/64	$125\sqrt{\quad}$	TITLE: Assembly, Idler ORCA III			
X.	P .050					
X.X	P .020					
X.XX	P .010	ANGLES P 1D	DATE:	DRAWN BY:	DWG SCALE:	Dwg:
X.XXX	P .005		1 - 10 - 95	K.L.	A1	001 - 226

REQ'D	DESCRIPTION	PART NO.	ITEM
1	-	180-120	1
1	-	180-100	2
1	-	180-120	3
1	-	180-100	4
1	-	180-120	5
1	-	180-100	6
1	-	180-120	7
1	-	180-100	8
2	-	180-130	9
2	-	180-110	10
1	-	180-130	11
1	-	180-110	12
1	-	180-130	13
1	-	180-110	14



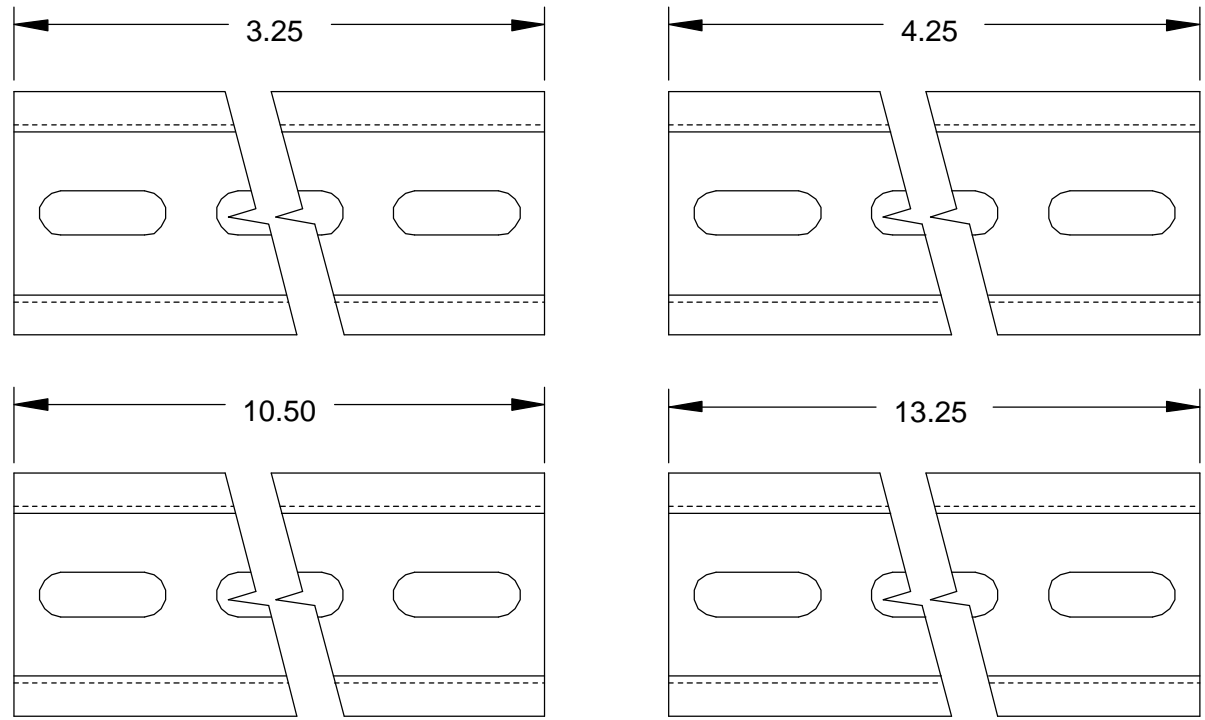
UNLESS OTHERWISE SPECIFIED TOLERANCE:				FINISH TO BE:				DATE: 08-16-95			
DIM AS SHOWN	TOL.							DRAWN BY: P.R.	DWG SCALE: C1	Dwg:	001-231
.XX	P.184										
X.	P.250										
.XX	P.020										
.XXX	P.010										
.XXX	P.005										

Pro-Tech Engineering

2117 N. Sloughon Rd. Madison, Wisconsin 53704
Phone (608) 248-8844 Fax (608) 248-8645

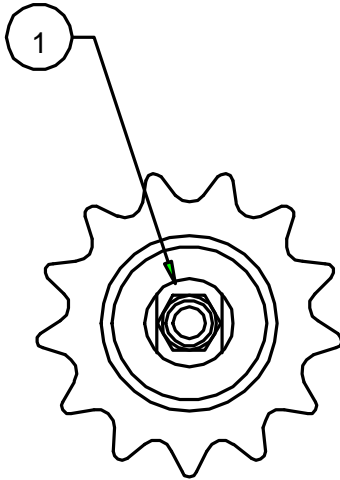
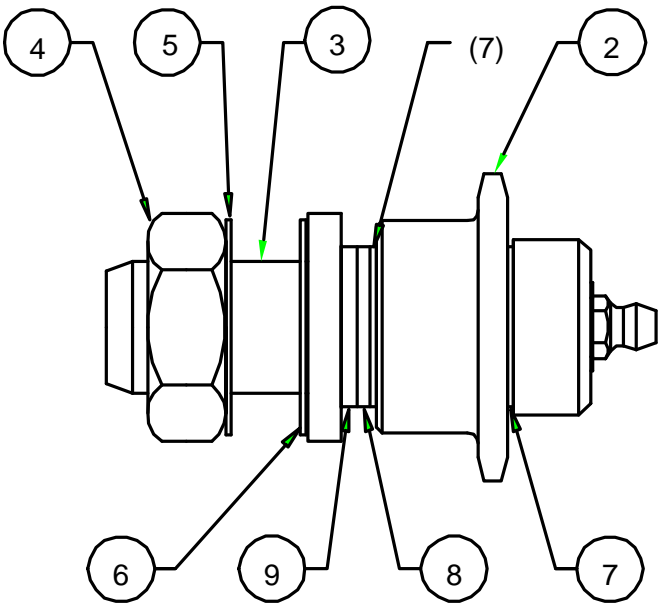
TITLE:
ASSEMBLY, PANDUIT, MAIN CHASSIS

<p>PROPRIETARY GBC PRO-TECH CLAIMS PROPRIETARY RIGHTS TO THE MATERIAL DISCLOSED ON THIS DRAWING. IT IS ISSUED IN CONFIDENCE FOR ENGINEERING INFORMATION ONLY AND SHALL NOT BE REPRODUCED, COPIED OR DISCLOSED IN WHOLE OR IN PART, OR USED FOR MANUFACTURE OR FOR ANY OTHER PURPOSE WITHOUT WRITTEN PERMISSION FROM GBC PRO-TECH</p>	REQ'D	DESCRIPTION	PART NO.	ITEM
	-	DIN RAIL	217-200	-



SHEET 1 OF 1		UNLESS OTHERWISE SPECIFIED TOLERANCE		<p>4151 Anderson Road, DeForest, Wisconsin 53532 Phone (608) 246-8844 Fax (608) 246-8645</p>	
DIM. AS SHOWN	TOL.	FINISH TO BE	TITLE:		
X/X	P 1/64	125√	SET, DIN RAIL		
X.	P .050				
X.X	P .020	ANGLES P 1D	-		
X.XX	P .010				
X.XXX	P .005				
REVISION	DATE: 7-19-96	DRAWN BY: RLM	SCALE: 1/1	SIZE: A	Dwg: 001-233
	RELEASE NO.				

REQ'D	DESCRIPTION	PART NO.	ITEM
1	SHAFT, IDLER	440-110	1
1	SPROCKET, 13T	440-125	2
1	BOLT, MOD., 3/4-16 X 1	505-002	3
1	NUT, JAM, 3/4-16	-	4
1	WASHER, THRUST	032-291	5
1	WASHER, STAR, INT. TOOTH, 3/4	068-002	6
2	WASHER, THRUST	032-130	7
1	BEARING, THRUST	032-120	8
1	WASHER, THRUST	032-145	9

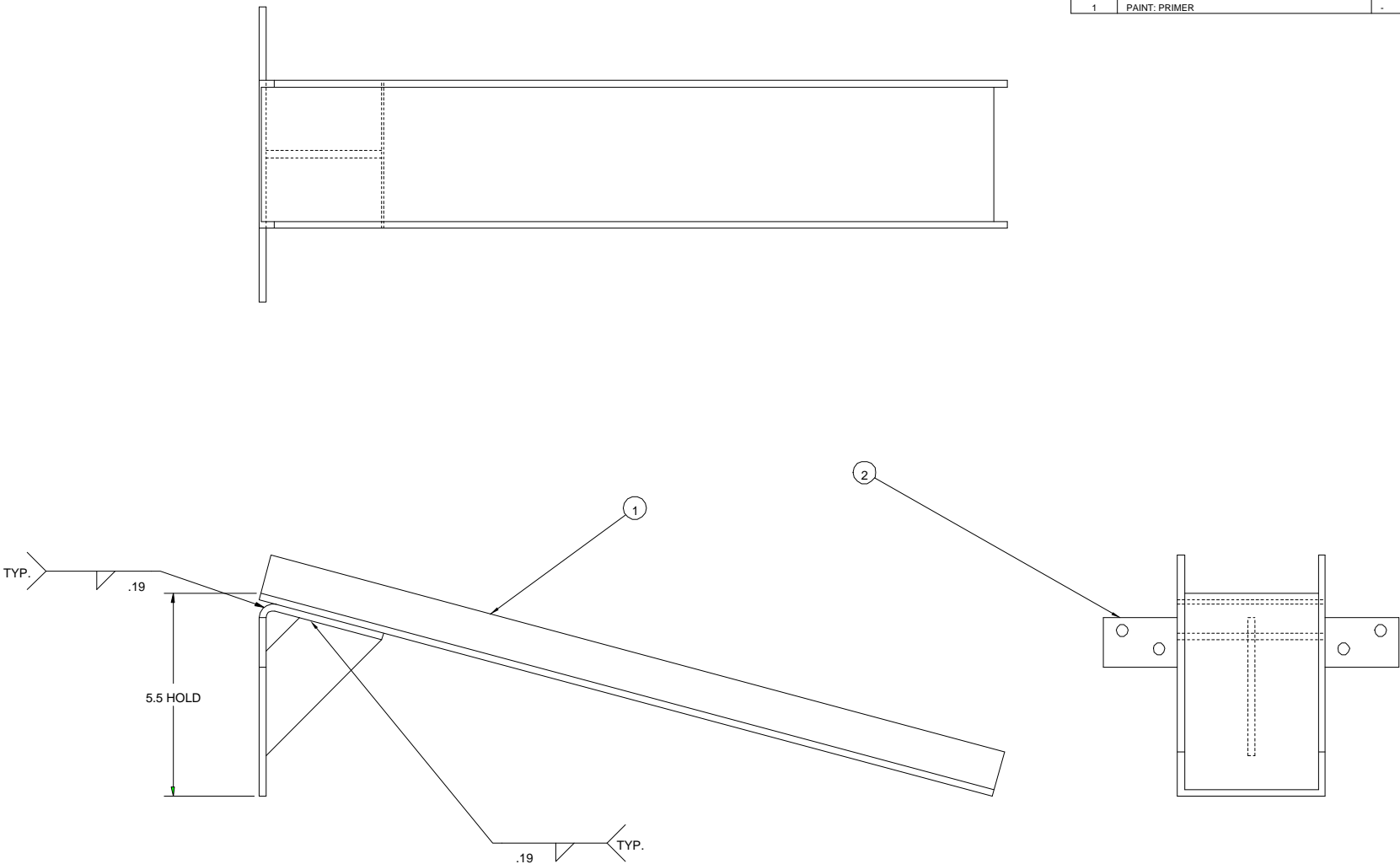


UNLESS OTHERWISE SPECIFIED TOLERANCE				Pro-Tech Engineering 2117 N. Stoughton Rd. Madison, Wisconsin 53704 Phone (608) 246-8844 Fax (608) 246-4685			
DIM. AS SHOWN	TOL.	FINISH TO BE					
X/X	P 1/64	125√		Assembly, Sprocket, Idler, Adjustable, Secondary ORCA III			
X.	P .050	ANGLES P 1D		DATE:	DRAWN BY:	DWG SCALE:	Dwg:
X.X	P .020			2 - 23 - 95	P.R.	A1	001 - 242
X.XX	P .010						
X.XXX	P .005						

REQ'D	DESCRIPTION	PART NO.	ITEM
2	DECAL,DANGER HAZARDOUS VOLTAGE	450-131	1
1	DECAL,WARNING MOVING PARTS	450-132	2
2	DECAL,WARNING CRUSH AND BURN,LEFT	450-133	3
2	DECAL,WARNING CRUSH AND BURN,RIGHT	450-134	4
1	DECAL,WARNING READ MANUAL	450-135	5
1	DECAL,READ SAFETY INSTRUCTIONS	450-136	6
1	DECAL,WARNING,MODIFIED CRUSH/CUT	450-011	7

<small>This print is the property of PRO-TECH ENGR. The information thereon is remitted in confidence.</small>											
UNLESS OTHERWISE SPECIFIED TOLERANCE					Pro-Tech Engineering 2117 N. Stoughton Rd. Madison, Wisconsin 53704 Phone (608) 246-8844 Fax (608) 246-8645						
DIM. AS SHOWN		TOL.		FINISH TO BE							
X/X		P 1/64		125√	TITLE: Kit, Safety Label ORCA III						
X.		P .050									
X.X		P .020									
X.XX		P .010		ANGLES P 1D	DATE: 3 - 2 - 95		DRAWN BY: K.L.		DWG SCALE: A1		Dwg: 001 - 259
X.XXX		P .005									

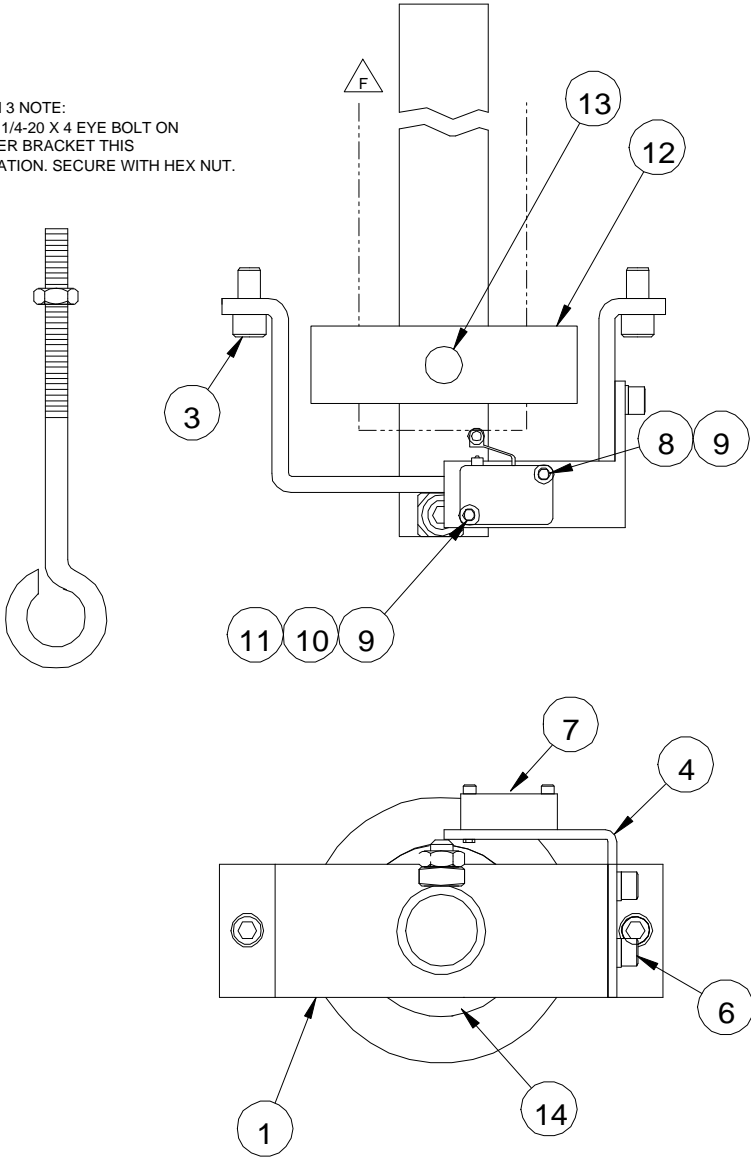
REQ'D	DESCRIPTION	PART NO.	ITEM
1	RAMP CHANNEL	595-002	1
1	BRACKET,RAMP	510-146	2
1	PAINT: PRIMER	-	3



UNLESS OTHERWISE SPECIFIED TOLERANCE:				This part is the property of PRO-TECH ENGR. The information thereon is retained in confidence. Pro-Tech Engineering 2117 N. Stockton Rd. Madison, Wisconsin 53704 Phone (608) 246-8844 Fax (608) 246-8645			
DIM AS SHOWN	TOL.	FINISH TO BE	X.X P.184 X P.250 X.X P.220 X.XX P.010 X.XXX P.005	TITLE: ASSEMBLY,RAMP,LOADING			
	X.X	1/4		DATE: 3-07-95			
	X.XX	1/2		DRAWN BY: RAS			
	X.XXX	3/4		DIWG SCALE: C2			
ANGLES P 1D				DATE: 3-07-95			
X.XXX P.005				Diwg: 001-273			

ECN
REV CHANGED
INITIALS
DATE

ITEM 3 NOTE:
USE 1/4-20 X 4 EYE BOLT ON
UPPER BRACKET THIS
LOCATION. SECURE WITH HEX NUT.



ITEM 13 NOTE:
REPLACE STOCK SETSCREW

ITEM 9, 10 & 11 NOTE:
USE WASHER, ITEM 9 ON TOP & BOTTOM.

REQ'D	DESCRIPTION	PART NO.	ITEM
1	BRACKET, HEATER, CONTROL SIDE	510-164	1
1	SET SCREW, 1/4-20 X .5 CUP POINT	-	2
2	SHCS, 1/4-20 X .5 LG	-	3
1	BRACKET, MOUNTING, SWITCH, OVERHEAT	510-149	4
2	SHCS, 10-32 X .38	-	5
2	WASHER, FLAT, #10	-	6
1	SWITCH, BASIC, ROLLER LEVER	214-000	7
1	SHCS, #4-40 X .5	-	8
3	WASHER, FLAT, #4	-	9
1	SHCS, #4-40 X .62	-	10
1	NUT, HEX, #4-40	-	11
1	LOCK COLLAR	290-004	12
1	SETSCREW, 1/2-13, FLAT TIP	-	13
1	NUT, HEX, JAM, 1/4-20	-	14

-285 ASSEMBLY

SCALE: 1/2

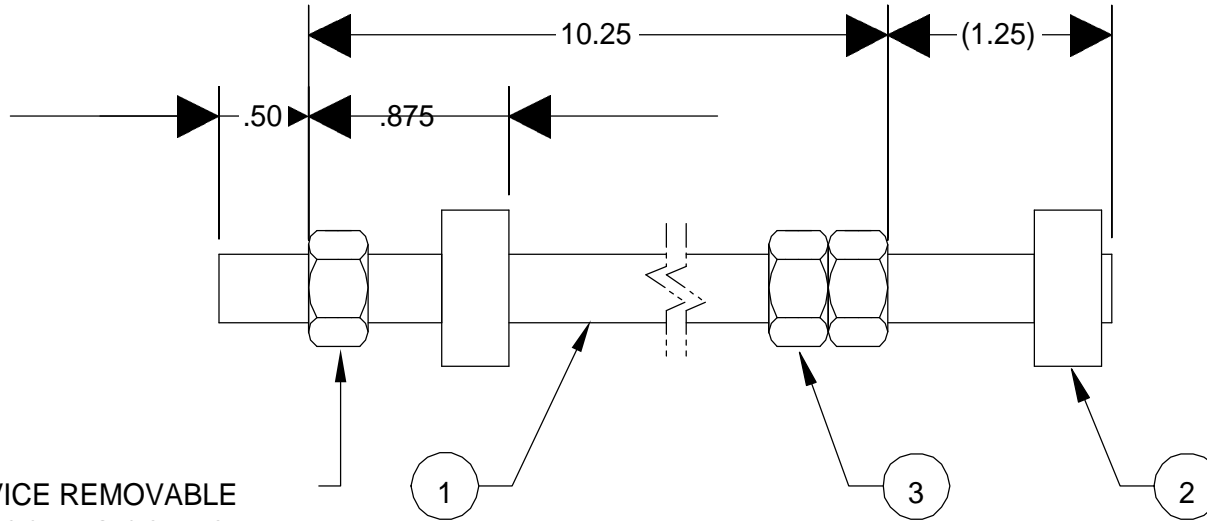
UNLESS OTHERWISE SPECIFIED TOLERANCE				FINISH TO BE				DATE			
DIM AS SHOWN	TOL.	FINISH	TO BE	DATE	DRAWN BY:	DWG SCALE:	Dwg:	001-285			
XX	P.1/64	1/8"		3-28-95	P.R.	C1					
X	P.050										
X.X	P.020										
X.XX	P.010	ANGLES	P.1D								
X.XXX	P.005										

Pro-Tech Engineering

2117 N. Slaughter Rd. Madison, Wisconsin 53704
Phone (608) 246-8844 Fax (608) 246-8645

TITLE:
**ASS'Y, BRKT, HTR, UPPER &
LOWER, %%C.75 , CONTROL SIDE,**

REQ'D	DESCRIPTION	PART NO.	ITEM
1	SHAFT, LIFT, PULL ROLL	710-052	1
2	COLLAR, LOCK, 3/8-24	290-190	2
3	NUT, HEX, 3/8-24	-	3



USE SERVICE REMOVABLE
THREAD LOCKING COMPOUND
(THIS NUT ONLY)

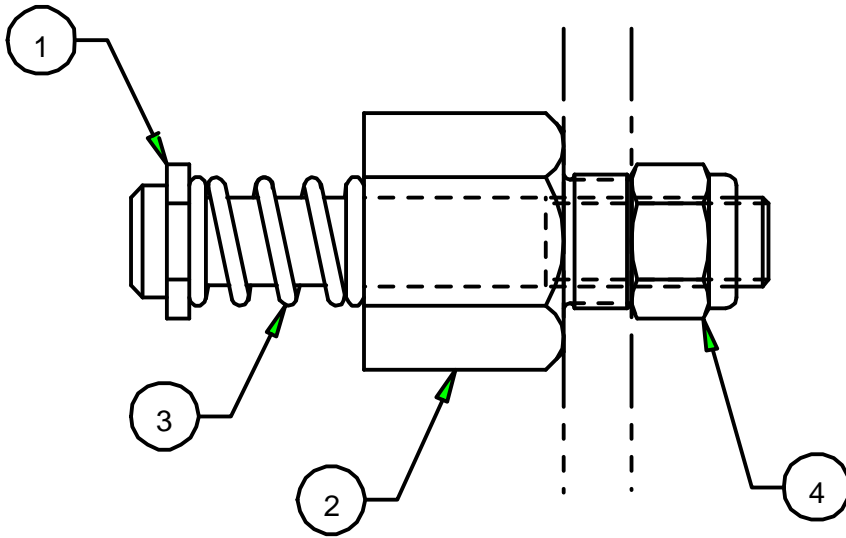
-304 ASSEMBLY

SCALE:1/1

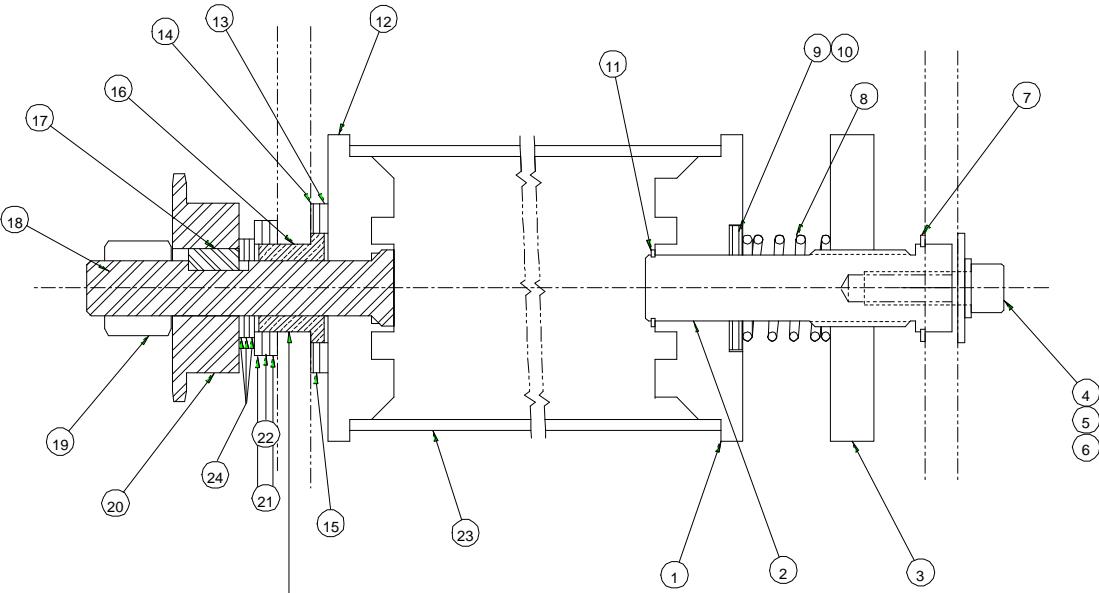
This print is the property of PRO-TECH ENGR. The information thereon is remitted in confidence.			
UNLESS OTHERWISE SPECIFIED TOLERANCE		Pro-Tech Engineering 2117 N. Stoughton Rd. Madison, Wisconsin 53704 Phone (608) 246-8844 Fax (608) 246-8645	
REVISION	DIM. AS SHOWN	TOL.	FINISH TO BE
	X/X	P 1/64	125 ✓
	X.	P .050	
	X.X	P .020	
	X.XX	P .010	ANGLES P 1D
X.XXX	P .005		
TITLE: ASSEMBLY, SHAFT, CYLINDER, PULL ROLL		DATE: 6-21-95	DRAWN BY: P.R.
		DWG SCALE: A1	Dwg: 001-304

PROPRIETARY
 GBC PRO-TECH CLAIMS PROPRIETARY RIGHTS TO THE
 MATERIAL DISCLOSED ON THIS DRAWING. IT IS ISSUED IN CONFIDENCE
 FOR ENGINEERING INFORMATION ONLY AND SHALL NOT BE REPRODUCED,
 COPIED OR DISCLOSED IN WHOLE OR IN PART, OR USED FOR
 MANUFACTURE OR FOR ANY OTHER PURPOSE WITHOUT WRITTEN
 PERMISSION FROM GBC PRO-TECH

REQ'D	DESCRIPTION	PART NO.	ITEM
1	BOLT, STANDOFF, REMOVABLE IDLER	645-009	1
1	STANDOFF, IDLER, HEX	755-033	2
1	SPRING, COMPRESSION	089-140	3
1	NUT, NYLOCK, 1/2-13	-	4



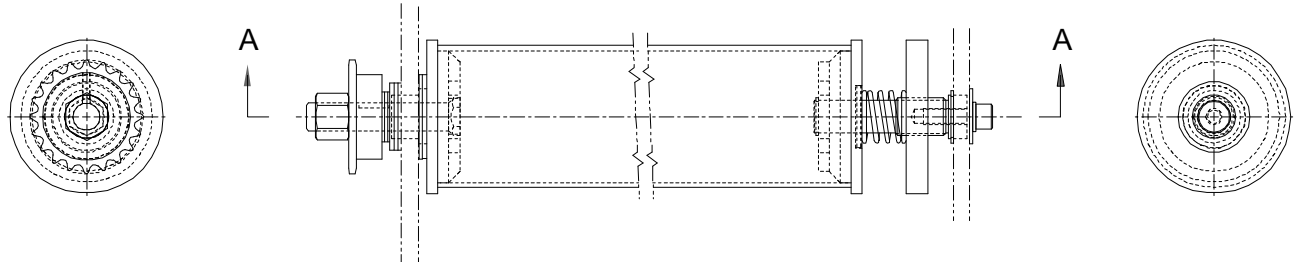
SHEET 1 OF 1		 4151 Anderson Road, DeForest, Wisconsin 53532 Phone (608) 246-8844 Fax (608) 246-8645	
UNLESS OTHERWISE SPECIFIED TOLERANCE			
REVISION	DIM. AS SHOWN	TOL.	FINISH TO BE
	X/X	P 1/64	125√
	X.	P .050	
	X.X	P .020	
	X.XX	P .010	ANGLES P 1D
	X.XXX	P .005	
TITLE:		DATE: 5-31-95	DRAWN BY: P.R.
ASSY, STANDOFF, REMOVABLE IDLER		SCALE: 1:1	SIZE: A
RELEASE NO.		Dwg: 001-305	



REMOVE PAINT FROM INSIDE OF SIDEFRAME HOLE. UDO NOT UEXCEED 1.003 DIA.

SECTION A-A

SCALE: 1/1



-326 ASSEMBLY

SCALE: 1/2

REQD	DESCRIPTION	PART NO.	ITEM
1	PLUG, CLUTCH, ORCA I, II	X92-0112	1
1	SHAFT, REWIND, STANDOFF	X92-0113	2
1	KNOB, CLUTCH, KNURLED	625-007	3
1	3/8-16 X 1 LG SHCS	-	4
1	3/8 FLATWASHER	-	5
1	3/8 LOCKWASHER	-	6
1	-	090-140	7
1	SPRING , 1" ID X 1-3/8 LG	089-200	8
2	WASHER, THRUST, .030 THK	032-242	9
1	BEARING, THRUST	032-390	10
1	SNAP RING, 3/4 SHAFT, EXTERNAL	090-135	11
1	PLUG, CLUTCH DRIVE	X92-0111	12
1	WASHER, THRUST, .090 THK, TRC 2031	032-420	13
1	WASHER, THRUST, .030 THK, TRA 2031	032-410	14
1	BEARING, THRUST, NTA 2031	032-400	15
1	BUSHING, BOST-BRONZE	040-003	16
1	KEY, 1/4 X 1/4 X 5/8 LG	-	17
1	BOLT, CLUTCH DRIVE, ORCA I, II	645-008	18
1	LOCK NUT, 5/8-11 HEX	-	19
1	SPROCKET, 26 TOOTH	435-215	20
2	WASHER, THRUST, .090 THK, TRC 1625	032-205	21
1	BEARING, THRUST, NTA 1625	032-190	22
1	TUBE, CARDBOARD	860-003	23
3	THRUST, WASHER, TRB 1018	032 - 160	24

NOTE: THE DRIVE SIDE ILLUSTRATION IS FOR THE SECONDARY CHAIN DRIVE FOR THE REWWIND.
FOR THE PRIMARY CHAIN DRIVE REWIND, ITEM NUMBER 24 IS SUBTRACTED AND ITEM NUMBER 20 IS FLIP AROUND SO THAT THE TEETH OF THE SPROCKET IS CLOSEST TO THE SIDE FRAME.

UNLESS OTHERWISE SPECIFIED TOLERANCE				Pro-Tech Engineering 2117 N. Stoughton Rd. Madison, Wisconsin 53704 Phone (608) 246-8844 Fax (608) 246-8546			
FINISH TO BE	TOL.	FINISH TO BE	ANGLES P 1 D	DATE:	DRAWN BY:	DWG SCALE:	Dep:
	X.XX P. 184	12 $\sqrt{}$		9-18-95	K.L.	C2	001-326
	X.XX P. 050						
	X.XX P. 020						
X.XXX P. 005							