



ORCA 1600 Parts List

GBC IS AN ACCO BRANDS COMPANY



Orca 1600
Illustrated Parts Booklet
(9300958)

© GBC Films Group, February 2001
Do not duplicate without written permission

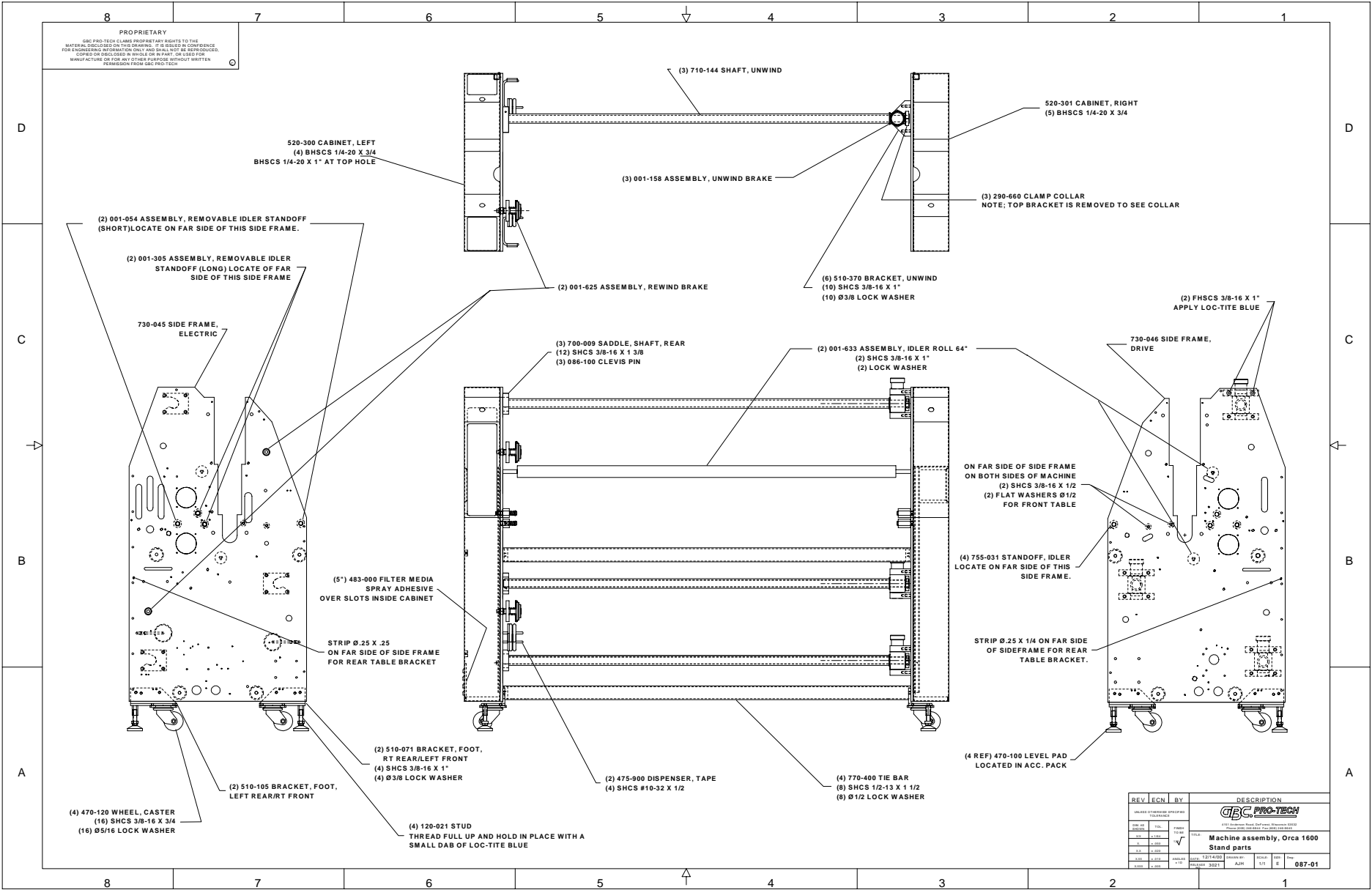
Booklet #: O1600PB001A

GBC Films Group
4151 Anderson Road
DeForest, WI 53532
Ph: (608) 246 - 8844
Fx: (608) 246 - 8645

Links to Content

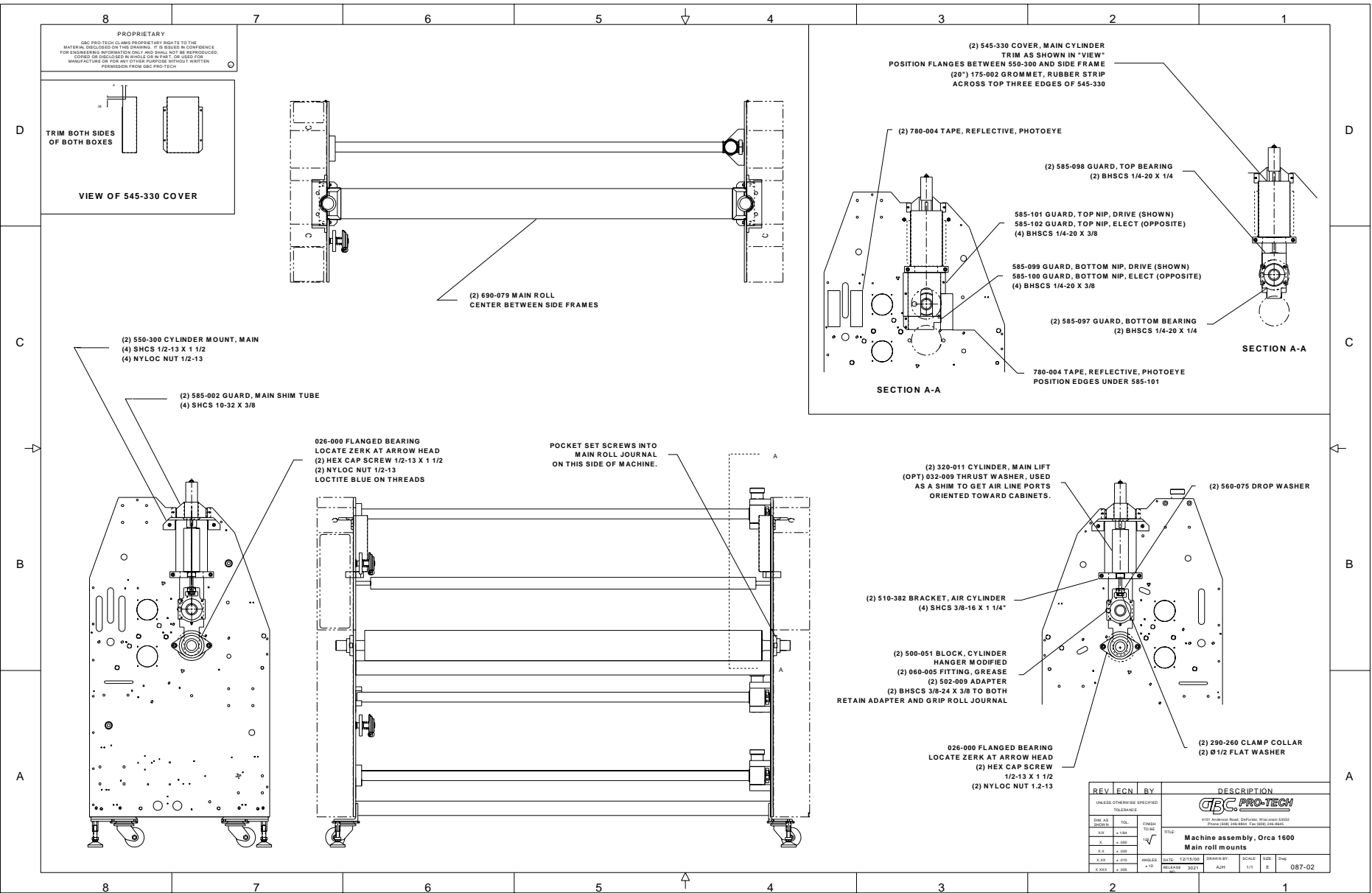
Drawing number :	Drawing Title:	Page number:
087 - 01	Machine assembly, Stand parts	1 - 1
087 - 02	Machine assembly, Main roll mounts	1 - 2
087 - 03	Machine assembly, Pull roll assembly	1 - 3
087 - 04	Machine assembly, Chain drive	1 - 4
087 - 05	Machine assembly, Cooling assembly	1 - 5
087 - 06	Machine assembly, Pneumatic assembly	1 - 6
087 - 07	Machine assembly, Electrical assembly	1 - 7
087 - 08	Machine assembly, Electrical connections	1 - 8
087 - 09	Machine assembly, Final assembly	1 - 9
001 - 054	Standoff assembly, low profile	1 - 10
001 - 058	Pull roll cylinder assembly, right	1 - 11
001 - 059	Pull roll cylinder assembly, left	1 - 12
001 - 084	Table assembly, large	1 - 13
001 - 087	Rear table bracket assembly, right	1 - 14
001 - 088	Rear table bracket assembly, left	1 - 15
001 - 102	Adjustable idler sprocket assembly	1 - 16
001 - 117	Front control panel assembly	1 - 17
001 - 121	Rear control panel assembly	1 - 18
001 - 158	Brake assembly	1 - 19
001 - 225	Noise filter assembly	1 - 20
001 - 226	Removable idler assembly	1 - 21

Drawing number :	Drawing Title:	Page number:
001 - 231	Main chasis panduit assembly	1 - 22
001 - 259	Safety label kit assembly	1 - 23
001 - 304	Pull roll cylinder shaft assembly	1 - 24
001 - 305	Standoff assembly	1 - 25
001 - 342	MOV assembly	1 - 26
001 - 601	Core grip assembly, saddle side	1 - 27
001 - 602	Core grip assembly, pivot side	1 - 28
001 - 625	Rewind brake assembly	1 - 29
001 - 626	Rewind drive assembly	1 - 30
001 - 633	Permanent idler assembly	1 - 31
001 - 634	Accessory pack assembly	1 - 32
001- 635	Drive top heater bracket assembly	1 - 33
001 - 636	Electric top heater bracket assembly	1 - 34
001 - 637	Drive bottom heater bracket assembly	1 - 35
001 - 638	Electric bottom heater bracket assembly	1 - 36
001 - 640	Electrical panel assembly	1 - 37

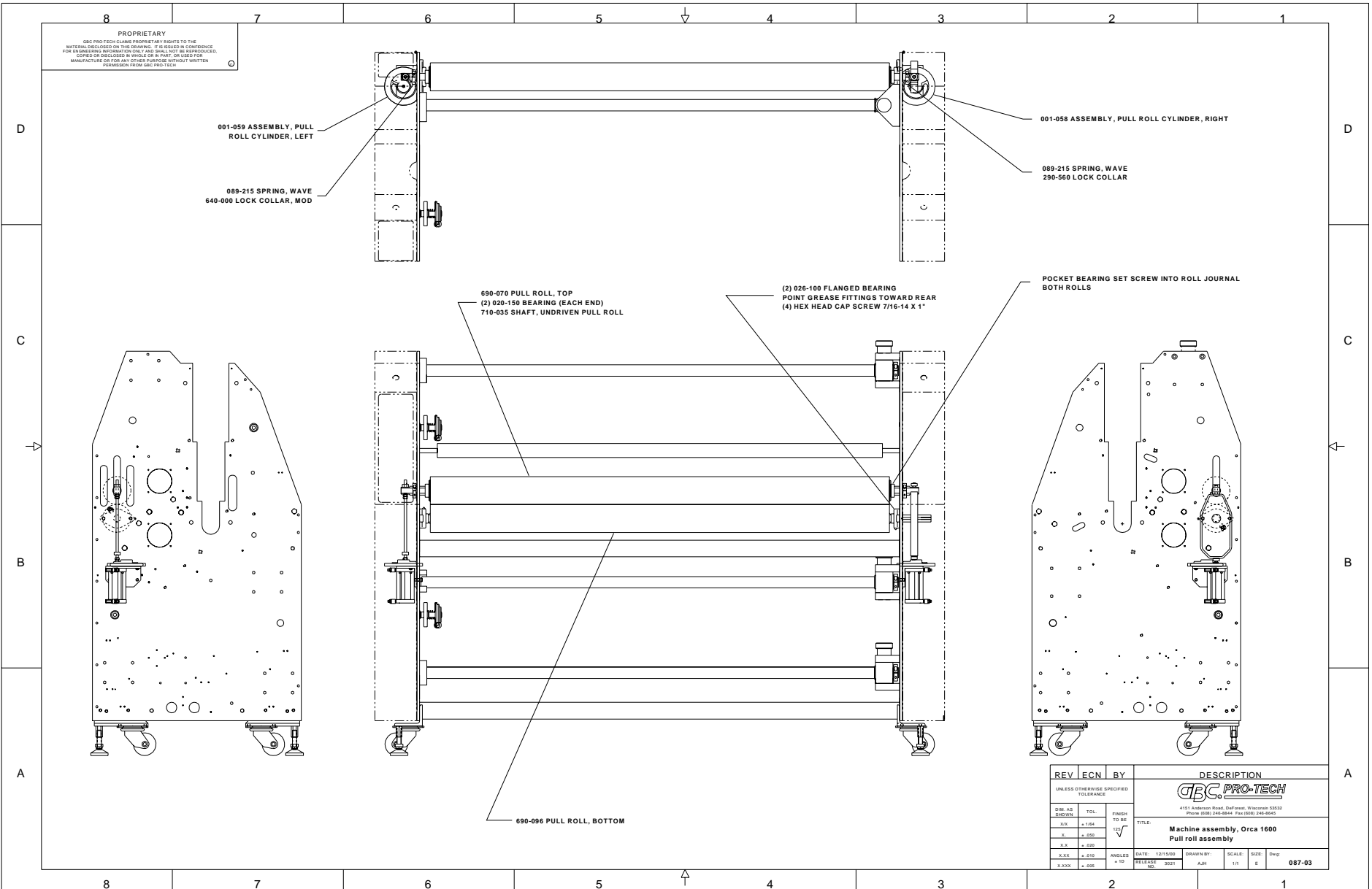


REV	ECN	BY	DESCRIPTION
001	001	AL	ISSUE FOR MANUFACTURE
002	001	AL	ISSUE FOR MANUFACTURE
003	001	AL	ISSUE FOR MANUFACTURE
004	001	AL	ISSUE FOR MANUFACTURE
005	001	AL	ISSUE FOR MANUFACTURE
006	001	AL	ISSUE FOR MANUFACTURE

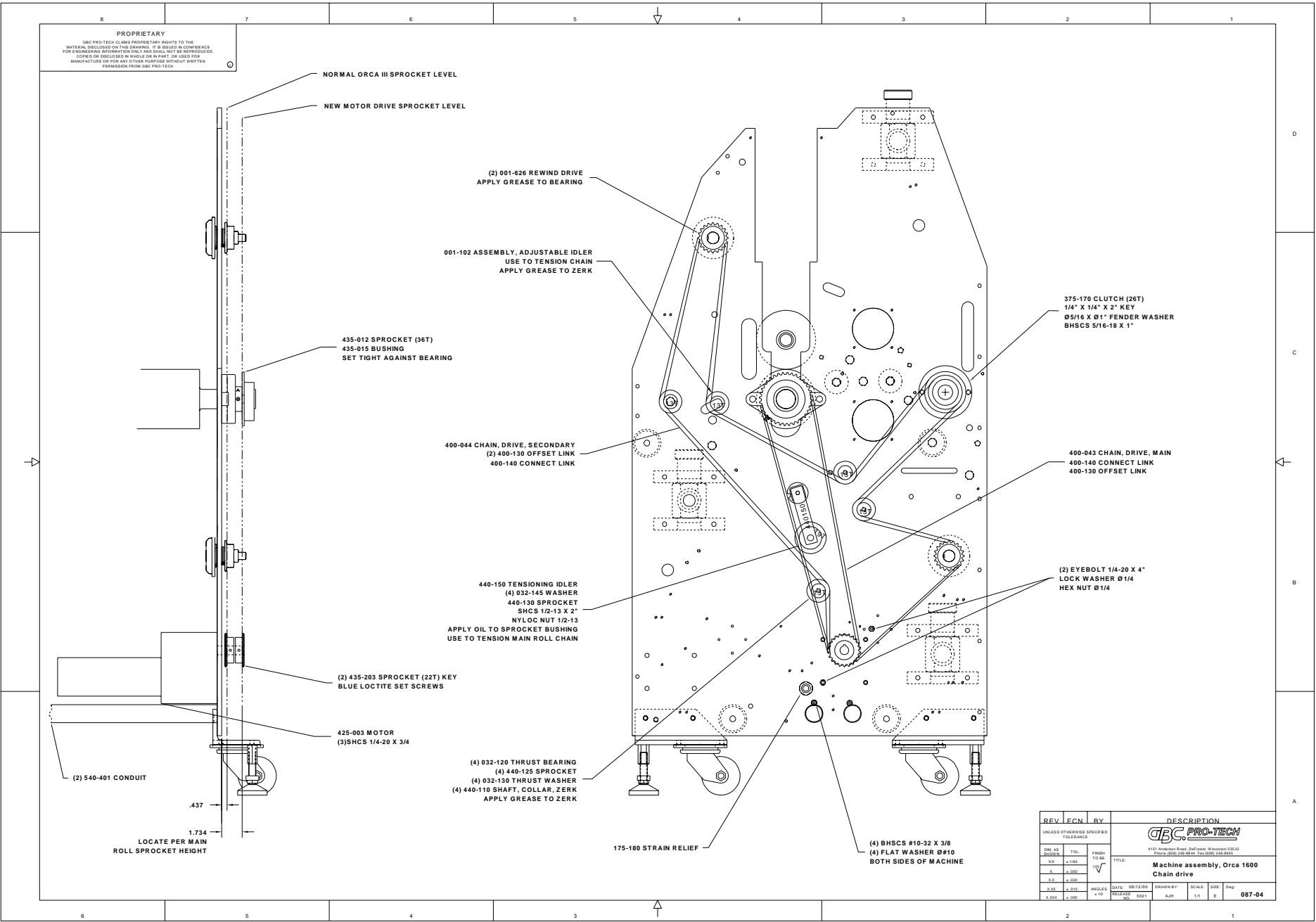
GBC PRO-TECH		4115 Executive Road, Parkettes, Wisconsin 53102	
GBC FILMS GROUP		www.gbc.com	
TITLE: Machine assembly, Orca 1600			
Stand parts			
DATE: 12/14/00	SCALE: 1:1	SHEET: 1/1	DWG NO: 087-01



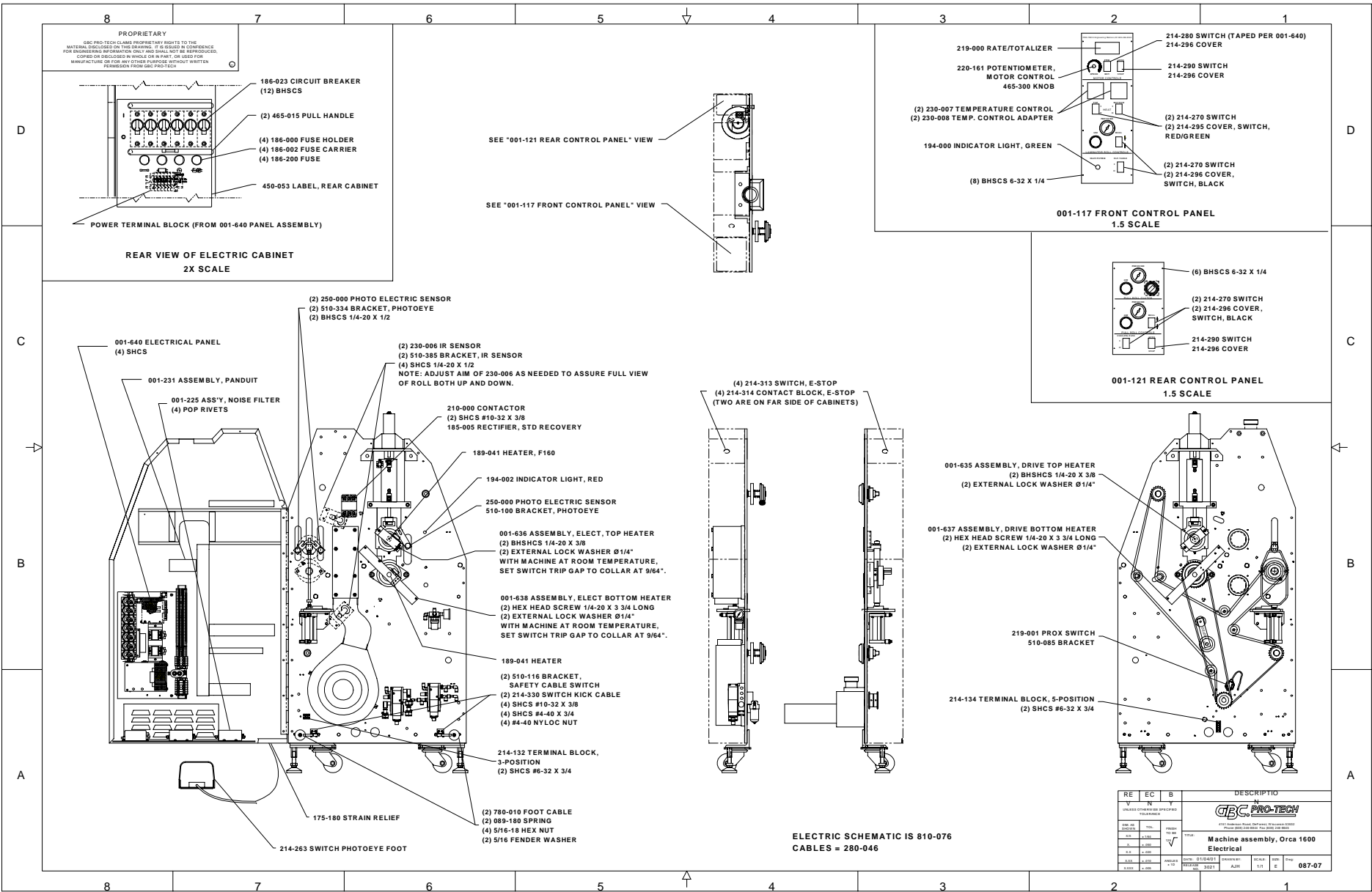
REV	ECN	BY	DESCRIPTION
UNLESS OTHERWISE SPECIFIED			GBC PRO-TECH 4101 Avenida Road, Dallas, Missouri 63003 Phone (800) 366-6666 Fax (800) 366-6666
TOLERANCE			
DIM. ALL	TOL.	FRACTION	TITLE Machine assembly, Orca 1600 Main roll mounts
±.005	±.004	1/32	
±.002	±.002	1/64	
±.001	±.001	1/128	
±.0005	±.0005	1/256	
DATE	12/15/00	DESIGNED BY	SCALE
RELEASE	02/01	APPROVED BY	1/1 E
			FIG. NO.
			087-02



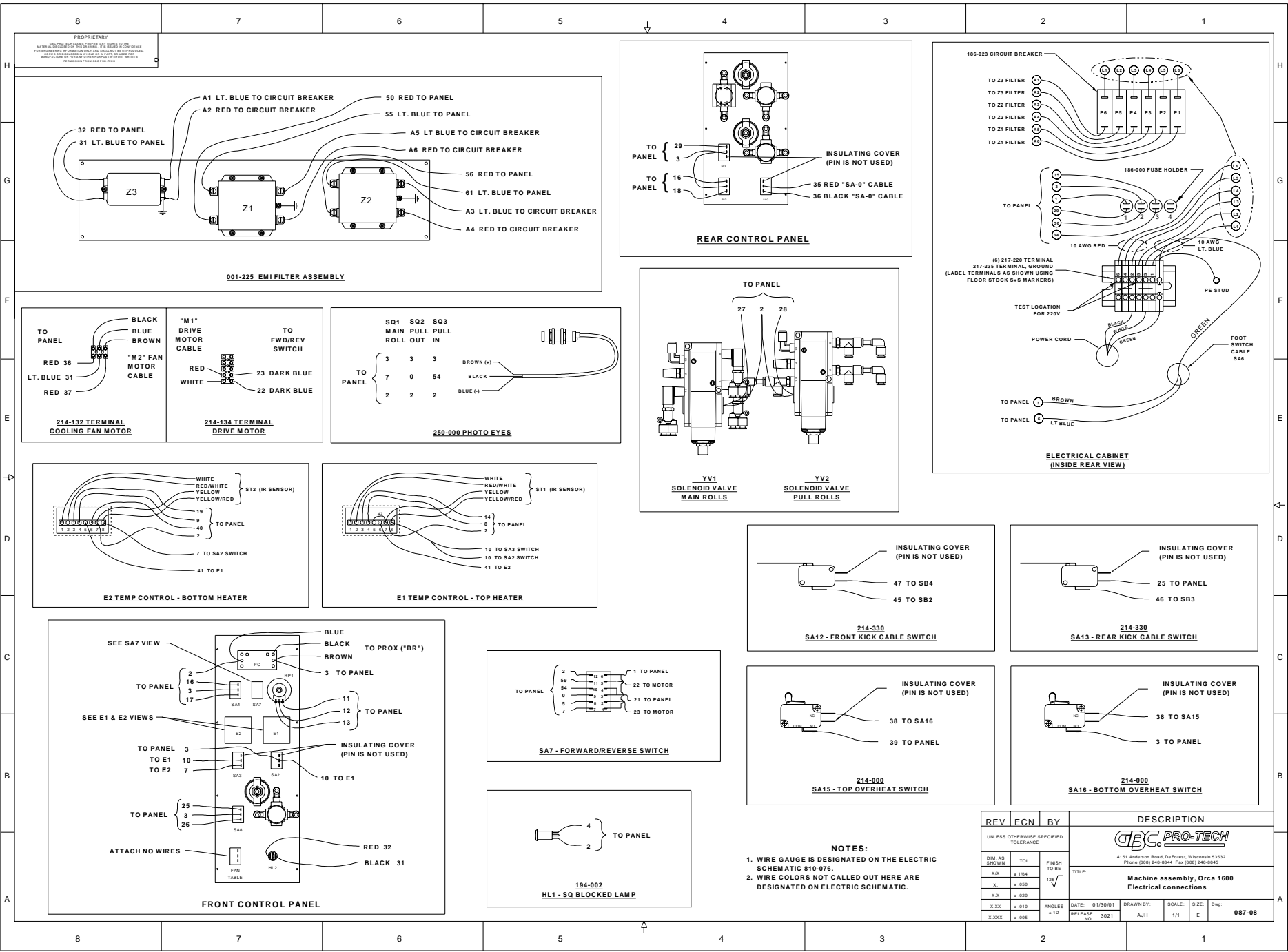
REV			ECN			BY			DESCRIPTION				
UNLESS OTHERWISE SPECIFIED TOLERANCE									GBC PRO-TECH				
									4151 Anderson Road, Duffryn, W. Glamorgan S15 3DZ Phone: 01691 246 814 Fax: 01691 246 845				
TITLE:									Machine assembly, Orca 1600 Pull roll assembly				
DIM. AS	TOL.	FINISH	TO BE			DATE: 12/10/00			DRAWN BY:		SCALE:	SIZE:	Dwg
DECIMAL			100			REVISED: 2001			AJH		1:1	E	087-03
X/16	+ 1/64												
X	+ .050												
X.X	+ .020												
X.XX	+ .010	ANGLES	+ 10										
X.XXX	+ .005												



REV	ECN	BY	DESCRIPTION	
UNLESS OTHERWISE SPECIFIED TOLERANCE			GBC PRO-TECH 4151 Anderson Road, Culpeper, Virginia 22620 Phone: (800) 246-8844 Fax: (800) 246-8845	
DM	AS	Tch.		TITLE: Machine assembly, Orca 1600 Chain drive
XX	+	1/64		
X	+	0.001		
XX	+	0.001		
X XX	+	0.010		
X XX	+	0.002		
ANGLES: 1:10 DATE: 08/12/00 DESIG: 30 3001			DRAWN BY: [] SCALE: 1:1 Dwg: 087-04	

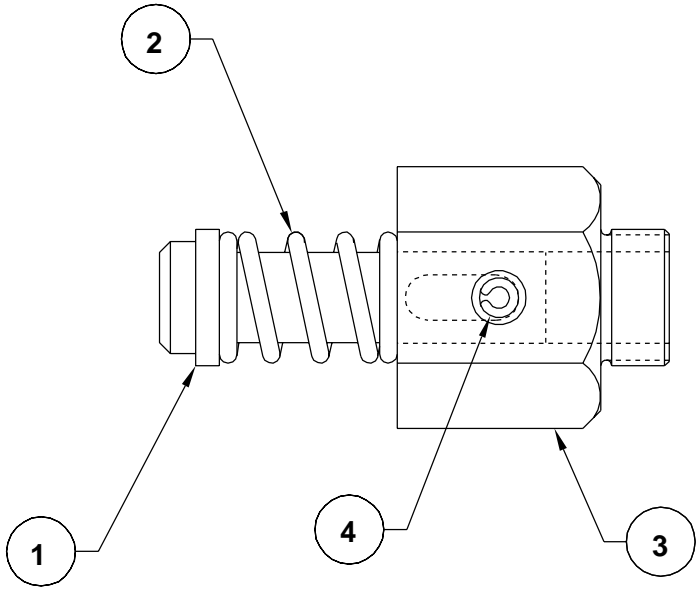



REV	BY	DATE	DESCRIPTION
1	VNY	02/01/01	Machine assembly, Orca 1600 Electrical
2	VNY	02/01/01	
3	VNY	02/01/01	
4	VNY	02/01/01	
5	VNY	02/01/01	
6	VNY	02/01/01	
7	VNY	02/01/01	
8	VNY	02/01/01	



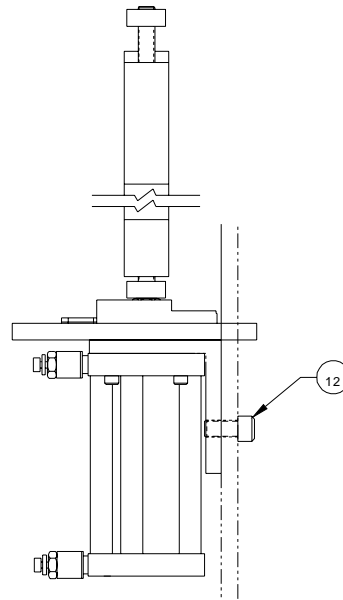
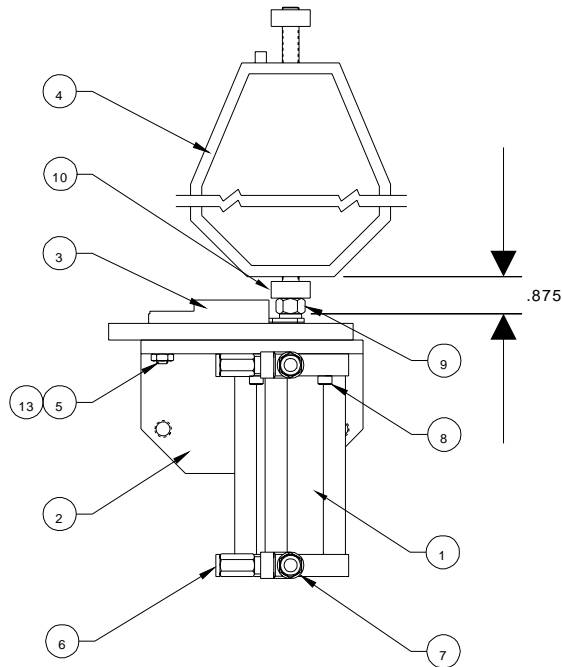
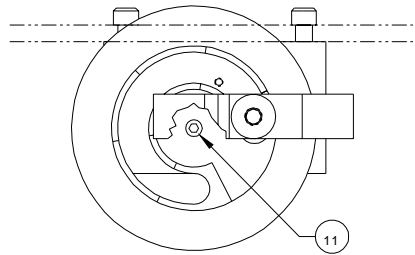
PROPRIETARY
 GBC PRO-TECH CLAIMS PROPRIETARY RIGHTS TO THE
 MATERIAL DISCLOSED ON THIS DRAWING. IT IS ISSUED IN CONFIDENCE
 FOR ENGINEERING INFORMATION ONLY AND SHALL NOT BE REPRODUCED,
 COPIED OR DISCLOSED IN WHOLE OR IN PART, OR USED FOR
 MANUFACTURE OR FOR ANY OTHER PURPOSE WITHOUT WRITTEN
 PERMISSION FROM GBC PRO-TECH

REQ'D	DESCRIPTION	PART NO.	ITEM
1	PIN, STANDOFF, LOW PROFILE	645-005	1
1	SPRING, COMPRESSION	089-140	2
1	STANDOFF, IDLER, HEX	755-032	3
1	ROLL PIN, 7/32 X 1-1/8	095-135	4



SHEET OF			 4151 Anderson Road, DeForest, Wisconsin 53532 Phone (608) 246-8844 Fax (608) 246-8645	
UNLESS OTHERWISE SPECIFIED TOLERANCE				
REVISION	DIM. AS SHOWN	TOL.	FINISH TO BE	TITLE: ASS'Y, STANDOFF, REMOVABLE IDLER, LOW PROFILE
	X/X	± 1/64	125√	
	X.	± .050		
	X.X	± .020		
	X.XX	± .010	ANGLES ± 1D	
	X.XXX	± .005		DATE: 06/26/95 RELEASE NO.
DRAWN BY: PR		SCALE: 1/1	SIZE: A	Dwg: 001-054

REQ'D	DESCRIPTION	PART NO.	ITEM
1	CYL, PULL ROLL (BIMBA FO-174)	320-300	1
1	BRACKET, CYL MNT, RT	510-082	2
1	SHIM DISK, PULL ROLL, RT	X92-0091	3
1	BRACKET, LIFT, PULL ROLL	X92-0138	4
1	PLUNGER, BALL	098-120	5
2	FITTING, AIR, MALE 1/8 NPT	330-590	6
2	VALVE, AIR CONTROL, 1/8 NPT	330-120	7
4	CAP SCREW, SOCKET, 10-32 X 3/4	-	8
1	NUT, JAM, 3/8-24	-	9
2	LOCK COLLAR, 3/8-24	290-190	10
1	BOLT, SHOULDER, 1/4 X 3/8	-	11
2	CAP SCREW, SOCKET, 3/8-16 X 3/4	-	12
1	JAM NUT, 1/4-20	-	13



-058 ASSEMBLY

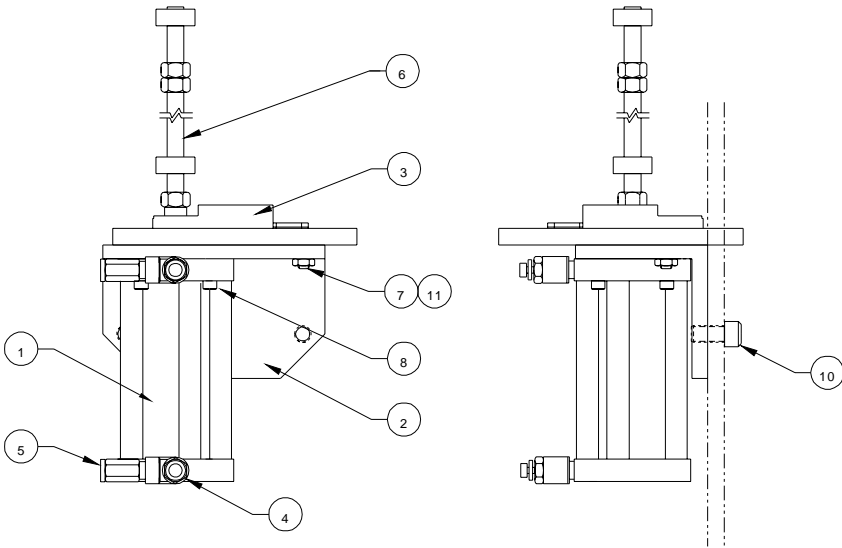
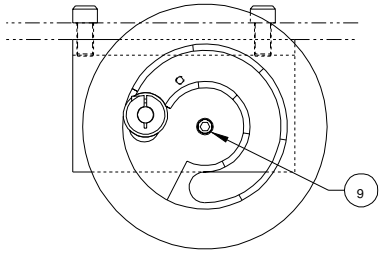
SCALE: 1/2

UNLESS OTHERWISE SPECIFIED		TOLERANCE		FINISH		DATE		DRAWN BY:		DWG SCALE:		Dwg	
DIM. ALL	SURF. N	TOL.		TO BE			2-8-94	P.R.	C2				001-058
XX		F.164											
X		F.160											
X.X		F.120											
X.XX		F.110											
X.XXX		F.105											

Pro-Tech Engineering
 4151 Anderson Road, Madison, WI 53532
 Phone (608) 246-8844 Fax (608) 246-8645

TITLE: **CYLINDER, PULL ROLL, RT. ORCA 1600**

REQ'D	DESCRIPTION	PART NO.	ITEM
1	CYL, PULL ROLL, (BIMBA FO-174)	320-300	1
1	BRACKET, CYL MNT, LF	510-079	2
1	SHIM DISK, PULL ROLL, LF	X92-0092	3
2	VALVE, AIR CONTROL, 1/8 NPT	330-120	4
2	FITTING, AIR, MALE 1/8 NPT	330-590	5
1	ASSEMBLY, SHAFT, CYLINDER, PULL ROLL	001-304	6
1	PLUNGER, BALL	098-120	7
8	CAP SCREW, SOCKET, 10-32 X 3/4	-	8
1	BOLT, SHOULDER, 1/4 X 3/8	-	9
2	CAP SCREW, SOCKET, 3/8-16 X 3/4	-	10
1	JAM NUT, 1/4-20	-	11



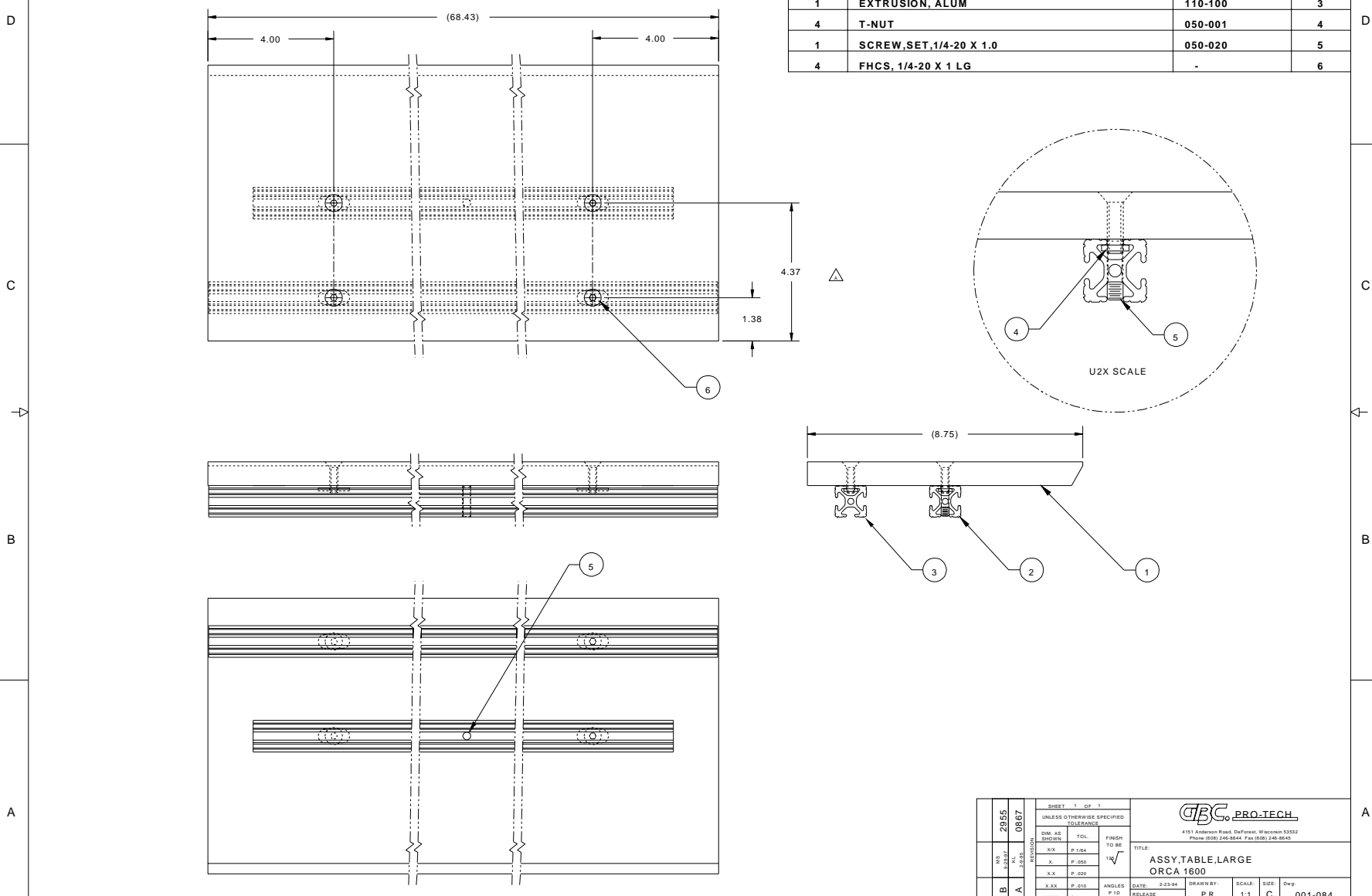
-O59 ASSEMBLY

SCALE-1/2

UNLESS OTHERWISE SPECIFIED TOLERANCE				Pro-Tech Engineering 2117 N. Staughton Rd., Madison, Wisconsin 53704 Phone (608) 246-8844 Fax (608) 246-8885				
DIM. AS SHOWN	TOL.	FINISH	DATE	DRAWN BY:	DWG SCALE:	Dwg	001-059	
	XX	P.154						TITLE: CYLINDER, PULL ROLL, LF ORCA 1600
	X	P.050						
	XX	P.020						
XX	P.010	ANGLES	DATE: 2-9-94	P.R.	C2			
XXX	P.005	P.10						

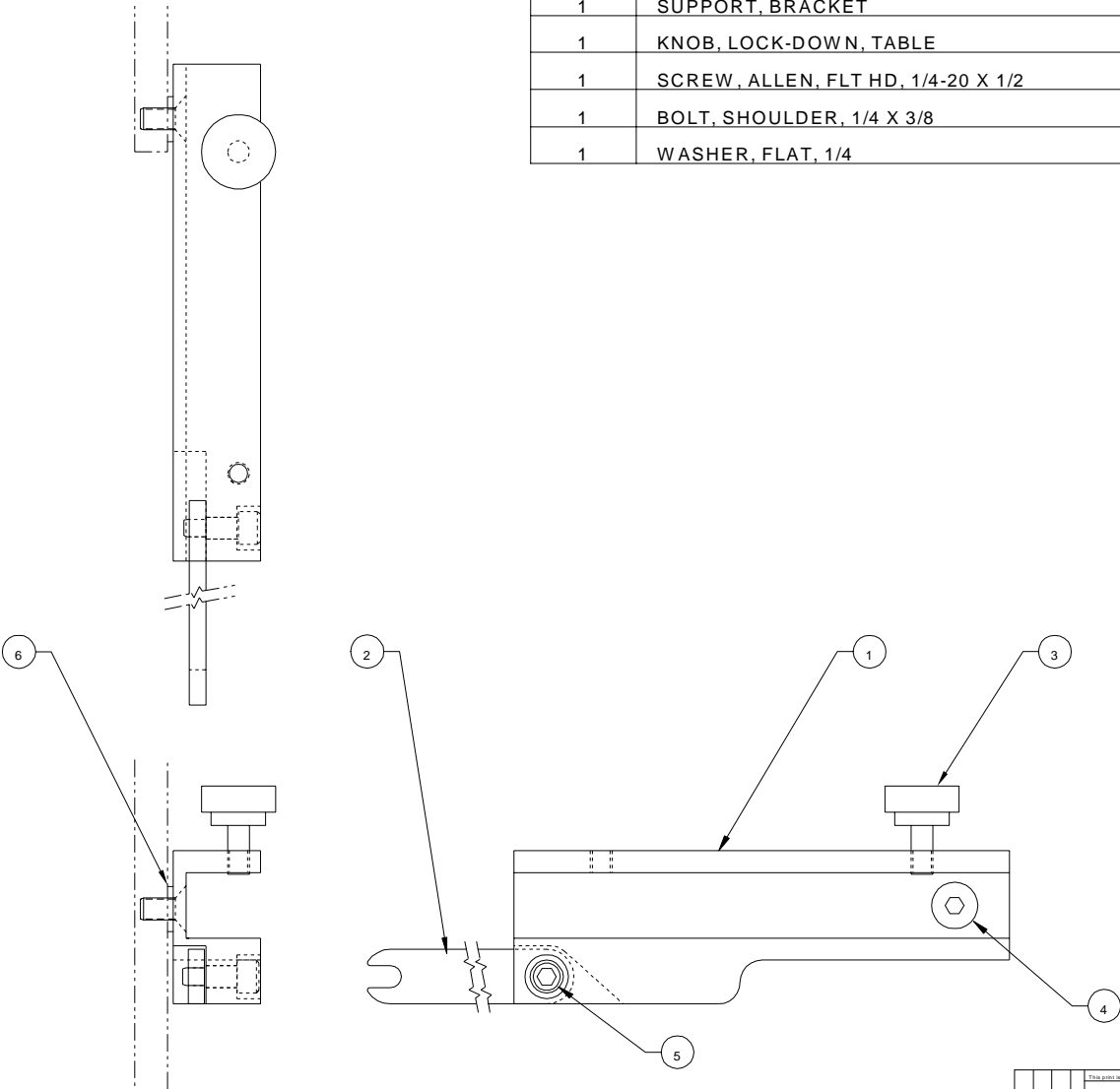
REQ'D	DESCRIPTION	PART NO.	ITEM
1	TABLE, LARGE	760-049	1
1	EXTRUSION, ALUM	110-110	2
1	EXTRUSION, ALUM	110-100	3
4	T-NUT	050-001	4
1	SCREW, SET, 1/4-20 X 1.0	050-020	5
4	FHCS, 1/4-20 X 1 LG	-	6

PROPRIETARY
 GBC PRO-TECH CLAIMS PROPRIETARY RIGHTS TO THE MATERIAL DISCLOSED ON THIS DRAWING. IT IS ISSUED IN CONFIDENCE FOR ENGINEERING INFORMATION ONLY AND SHALL NOT BE REPRODUCED, COPIED OR DISCLOSED IN WHOLE OR IN PART, OR USED FOR MANUFACTURE OR FOR ANY OTHER PURPOSE WITHOUT WRITTEN PERMISSION FROM GBC PRO-TECH



SHEET 1 OF 1		UNLESS OTHERWISE SPECIFIED TOLERANCE		GBC PRO-TECH	
DM. AS SHOWN	TOL.	FRESH TO BE	4151 Anderson Road, DeForest, Wisconsin 53532 Phone (800) 246-8844 Fax (800) 246-8845		
3.X	P.104	1/2	TITLE: ASSY. TABLE LARGE ORCA 1600		
3.X	P.200	1/2	DATE: 2-22-94 DRAWN BY: P.R. SCALE: 1:1 SIZE: C DWG NO: 001-084		
3.X	P.210	1/2	RELEASE		
3.XXL	P.200	1/2			

REQ'D	DESCRIPTION	PART NO.	ITEM
1	BRACKET, TABLE, REAR, RT	510-067	1
1	SUPPORT, BRACKET	510-086	2
1	KNOB, LOCK-DOWN, TABLE	465-200	3
1	SCREW, ALLEN, FLT HD, 1/4-20 X 1/2	-	4
1	BOLT, SHOULDER, 1/4 X 3/8	-	5
1	WASHER, FLAT, 1/4	-	6

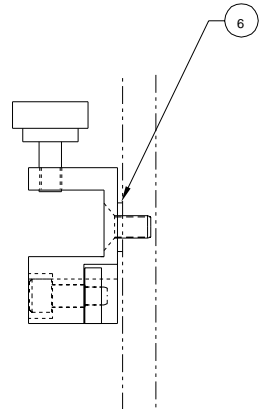
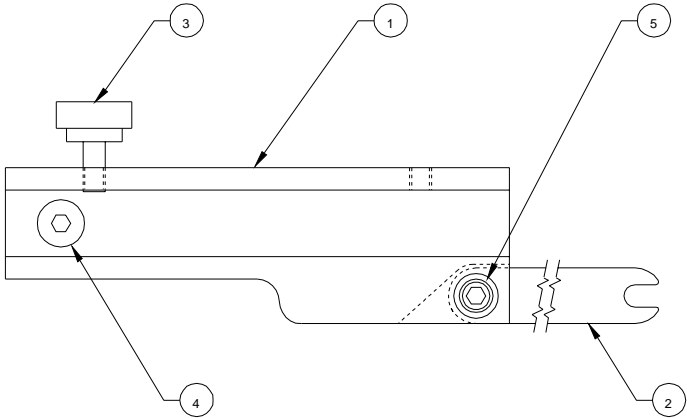
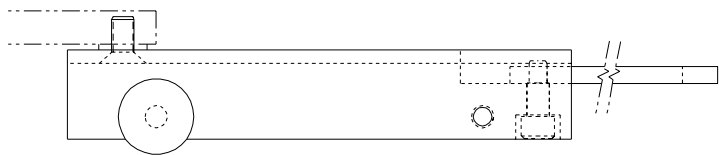


-087 ASSEMBLY

SCALE: 1/1

UNLESS OTHERWISE SPECIFIED TOLERANCE				Pro-Tech Engineering 2117 N. Slaughter Rd. Madison, Wisconsin 53704 Phone (608) 248-8844 Fax (608) 248-6685	
FRONT	TOL.	FRONT	TO BE	TITLE:	
0.01	P.104	0.01	0.01	BRACKET, TABLE, REAR, RT	
0.02	P.100	0.02	0.02	ORCA 1600	
0.05	P.100	0.05	0.05	DATE:	2-24-94
0.10	P.100	0.10	0.10	DRAWN BY:	P.R.
0.15	P.100	0.15	0.15	DWG SCALE:	C1
0.20	P.100	0.20	0.20	Dwg	001-087

REQ'D	DESCRIPTION	PART NO.	ITEM
1	BRACKET, TABLE, REAR, LF	510-069	1
1	SUPPORT, BRACKET	510-086	2
1	KNOB, LOCK-DOWN, TABLE	465-200	3
1	SCREW, ALLEN, FLT HD, 1/4-20 X 1/2 LG	-	4
1	BOLT, SHOULDER, 1/4 X 3/8	-	5
1	WASHER, FLAT, 1/4	-	6

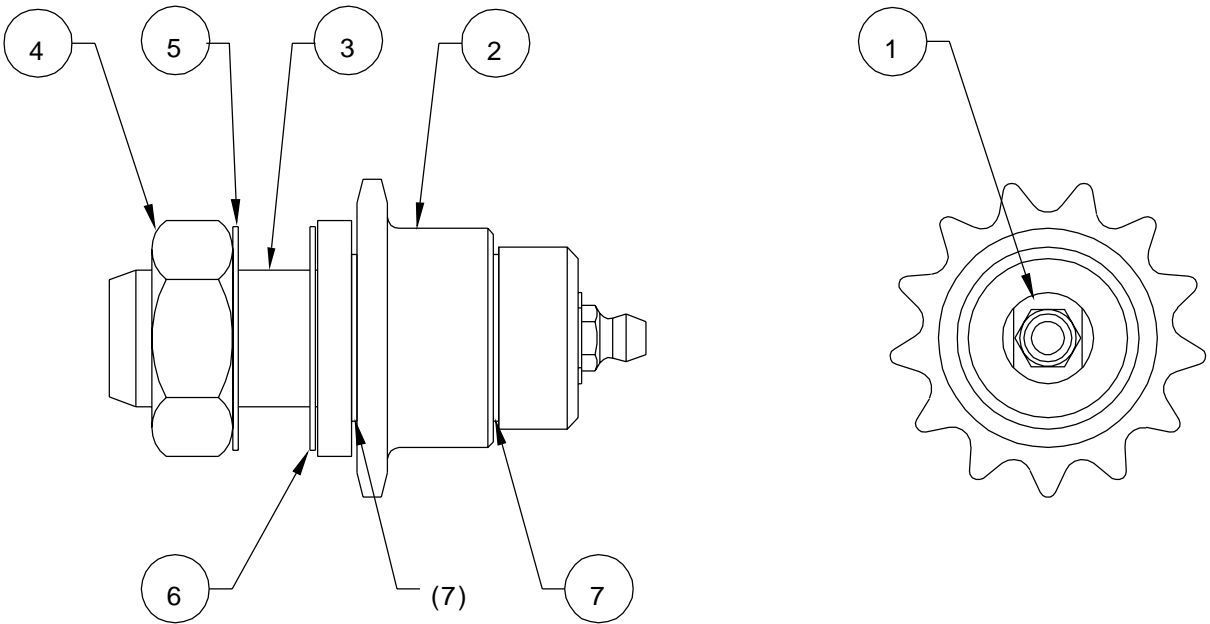


-088 ASSEMBLY

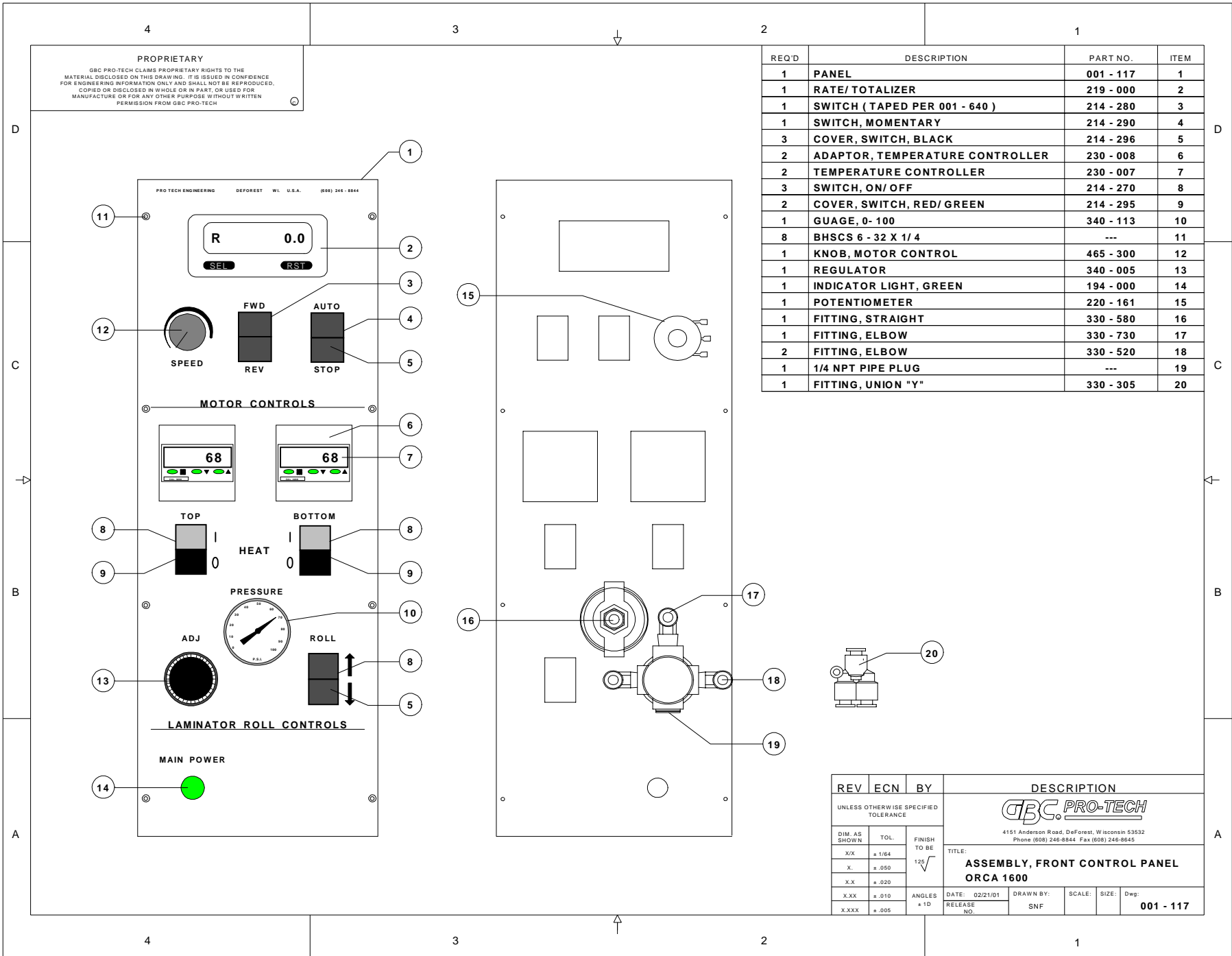
SCALE: 1/1

UNLESS OTHERWISE SPECIFIED TOLERANCE				Pro-Tech Engineering			
3117A Douglas St. Mesa, Colorado 80704 Phone (303) 246-0844 Fax (303) 246-6665				TITLE:			
BRACKET, TABLE, REAR, LF				ORCA 1600			
DATE:		DRAWN BY:		DWG SCALE:		DWG NO:	
2-24-94		P.R.		C1		001-088	

REQ'D	DESCRIPTION	PART NO.	ITEM
1	SHAFT, IDLER	440-110	1
1	SPROCKET, 13T	440-125	2
1	BOLT, MOD., 3/4-16 X 1	505-002	3
1	NUT, JAM, 3/4-16	-	4
1	WASHER, THRUST	032-291	5
1	WASHER, STAR, INT. TOOTH, 3/4	-	6
2	WASHER, THRUST	032-130	7



This print is the property of PRO-TECH ENGR. The information thereon is remitted in confidence.													
UNLESS OTHERWISE SPECIFIED TOLERANCE					Pro-Tech Engineering 2117 N. Stoughton Rd. Madison, Wisconsin 53704 Phone (608) 246-8844 Fax (608) 246-4685								
DIM. AS SHOWN		TOL.		FINISH TO BE									
X/X		P 1/64		125√	TITLE: ASSEMBLY, SPROCKET, IDLER, ADJUSTABLE ORCA 1600								
X.		P .050											
X.X		P .020											
X.XX		P .010		ANGLES P 1D						DATE:	DRAWN BY:	DWG SCALE:	Dwg:
X.XXX		P .005								5-6-93	RAS	A1	001-102



PROPRIETARY
 GBC PRO-TECH CLAIMS PROPRIETARY RIGHTS TO THE MATERIAL DISCLOSED ON THIS DRAWING. IT IS ISSUED IN CONFIDENCE FOR ENGINEERING INFORMATION ONLY AND SHALL NOT BE REPRODUCED, COPIED OR DISCLOSED IN WHOLE OR IN PART, OR USED FOR MANUFACTURE OR FOR ANY OTHER PURPOSE WITHOUT WRITTEN PERMISSION FROM GBC PRO-TECH

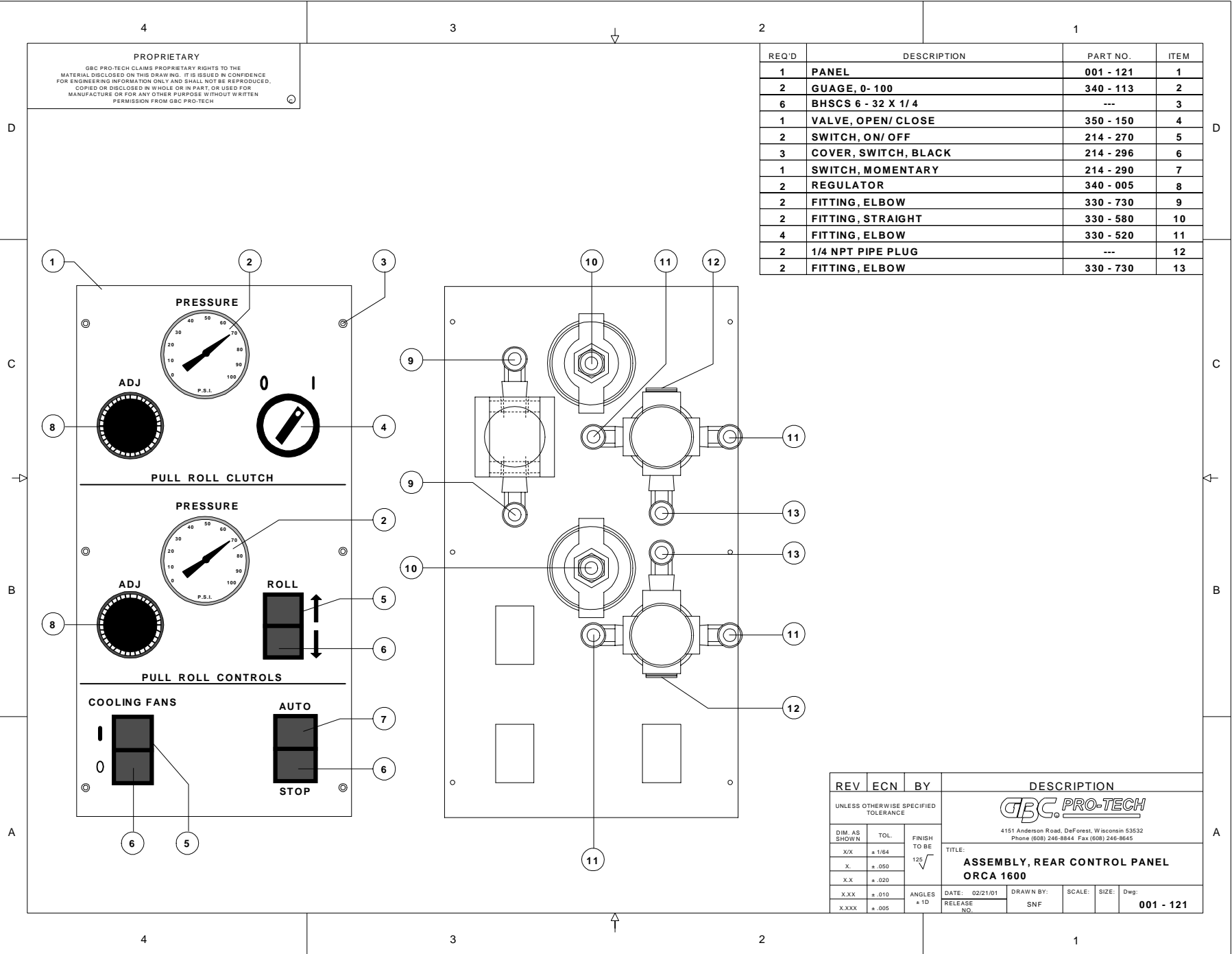
PRO TECH ENGINEERING DEFOREST WI. U.S.A. (608) 246-8844

REQ'D	DESCRIPTION	PART NO.	ITEM
1	PANEL	001 - 117	1
1	RATE/ TOTALIZER	219 - 000	2
1	SWITCH (TAPED PER 001 - 640)	214 - 280	3
1	SWITCH, MOMENTARY	214 - 290	4
3	COVER, SWITCH, BLACK	214 - 296	5
2	ADAPTOR, TEMPERATURE CONTROLLER	230 - 008	6
2	TEMPERATURE CONTROLLER	230 - 007	7
3	SWITCH, ON/OFF	214 - 270	8
2	COVER, SWITCH, RED/ GREEN	214 - 295	9
1	GAUGE, 0- 100	340 - 113	10
8	BHSCS 6 - 32 X 1/ 4	---	11
1	KNOB, MOTOR CONTROL	465 - 300	12
1	REGULATOR	340 - 005	13
1	INDICATOR LIGHT, GREEN	194 - 000	14
1	POTENTIOMETER	220 - 161	15
1	FITTING, STRAIGHT	330 - 580	16
1	FITTING, ELBOW	330 - 730	17
2	FITTING, ELBOW	330 - 520	18
1	1/4 NPT PIPE PLUG	---	19
1	FITTING, UNION "Y"	330 - 305	20

REV	ECN	BY	DESCRIPTION
UNLESS OTHERWISE SPECIFIED TOLERANCE			 4151 Anderson Road, DeForest, Wisconsin 53532 Phone (608) 246-8844 Fax (608) 246-8845
DIM. AS SHOWN	TOL.	FINISH TO BE	
X/X	± 1/64	125	
X.	± .050		
X.X	± .020		
X.XX	± .010	ANGLES ± 1D	DATE: 02/21/01
X.XXX	± .005		RELEASE NO.
DRAWN BY: SNF			SCALE: SIZE: Dwg: 001 - 117

TITLE:
ASSEMBLY, FRONT CONTROL PANEL ORCA 1600

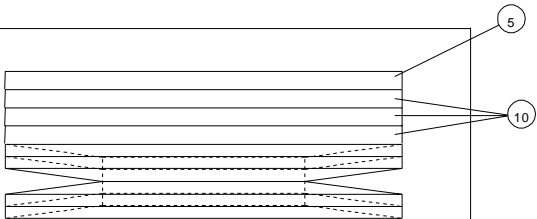
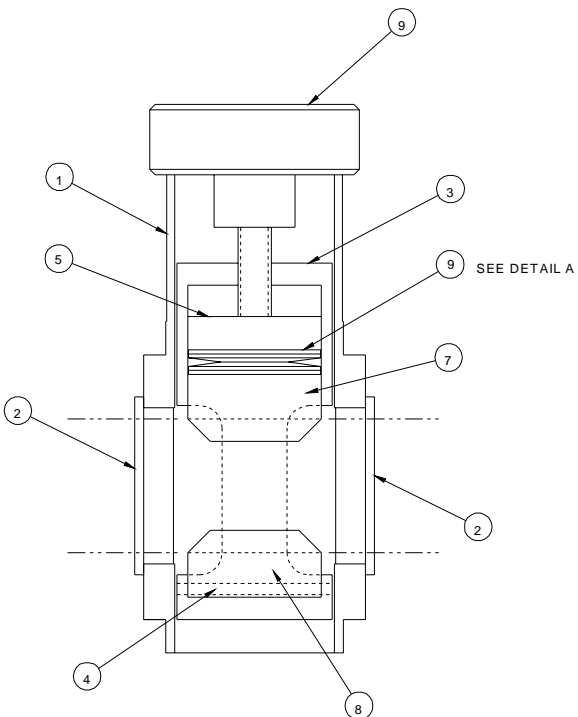
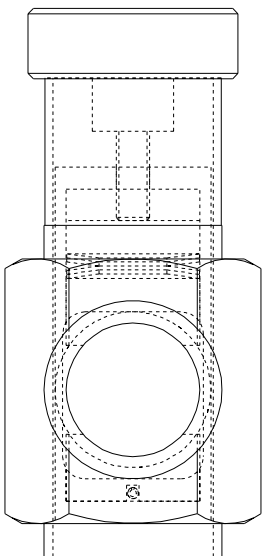
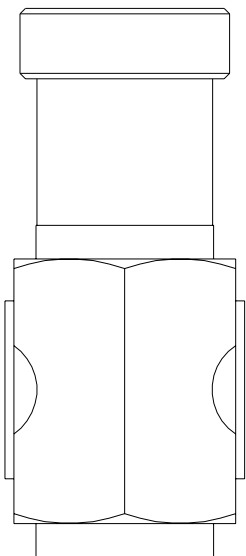
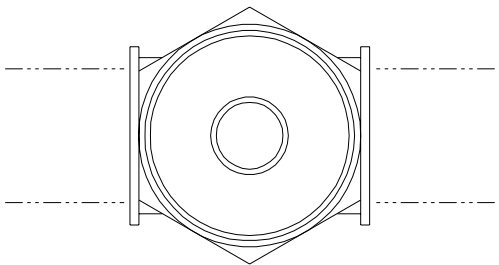
REQD	DESCRIPTION	PART NO.	ITEM
1	PANEL	001 - 121	1
2	GUAGE, 0- 100	340 - 113	2
6	BHSCS 6 - 32 X 1/ 4	---	3
1	VALVE, OPEN/ CLOSE	350 - 150	4
2	SWITCH, ON/ OFF	214 - 270	5
3	COVER, SWITCH, BLACK	214 - 296	6
1	SWITCH, MOMENTARY	214 - 290	7
2	REGULATOR	340 - 005	8
2	FITTING, ELBOW	330 - 730	9
2	FITTING, STRAIGHT	330 - 580	10
4	FITTING, ELBOW	330 - 520	11
2	1/4 NPT PIPE PLUG	---	12
2	FITTING, ELBOW	330 - 730	13



REV	ECN	BY	DESCRIPTION
UNLESS OTHERWISE SPECIFIED TOLERANCE			 4151 Anderson Road, DeForest, Wisconsin 53532 Phone (608) 246-8844 Fax (608) 246-8645
DIM. AS SHOWN	TOL.	FINISH TO BE	
X/X	± 1/64	125√	TITLE: ASSEMBLY, REAR CONTROL PANEL ORCA 1600 DATE: 02/21/01 DRAWN BY: SNF SCALE: SIZE: Dwg: 001 - 121 RELEASE NO.
X	± .050		
X.X	± .020		
X.XX	± .010		
X.XXX	± .005	ANGLES ± 1D	

PROPRIETARY
 GBC PRO-TECH CLAIMS PROPRIETARY RIGHTS TO THE MATERIAL DISCLOSED ON THIS DRAWING. IT IS ISSUED IN CONFIDENCE FOR ENGINEERING INFORMATION ONLY AND SHALL NOT BE REPRODUCED, COPIED OR DISCLOSED IN WHOLE OR IN PART, OR USED FOR MANUFACTURE OR FOR ANY OTHER PURPOSE WITHOUT WRITTEN PERMISSION FROM GBC PRO-TECH

REQD	DESCRIPTION	PART NO.	ITEM
1	PIN, PIVOT, UNWIND	625 - 008	1
2	BUSHING, FLANGE, NYLON	500 - 006	2
1	HOUSING, BRAKE	625 - 022	3
1	ROLL PIN, 1/8 X 1-3/4	095 - 105	4
1	PISTON, BRAKE	625 - 028	5
4	SPRING, DISC, 3/4 X 1-1/2	089 - 009	6
1	PAD, BRAKE, TOP	625 - 027	7
1	PAD, BRAKE, BOTTOM	625 - 027	8
1	KNOB, ADJUSTMENT, BRAKE	465 - 020	9
1	WASHER, 9/ 16"	---	10

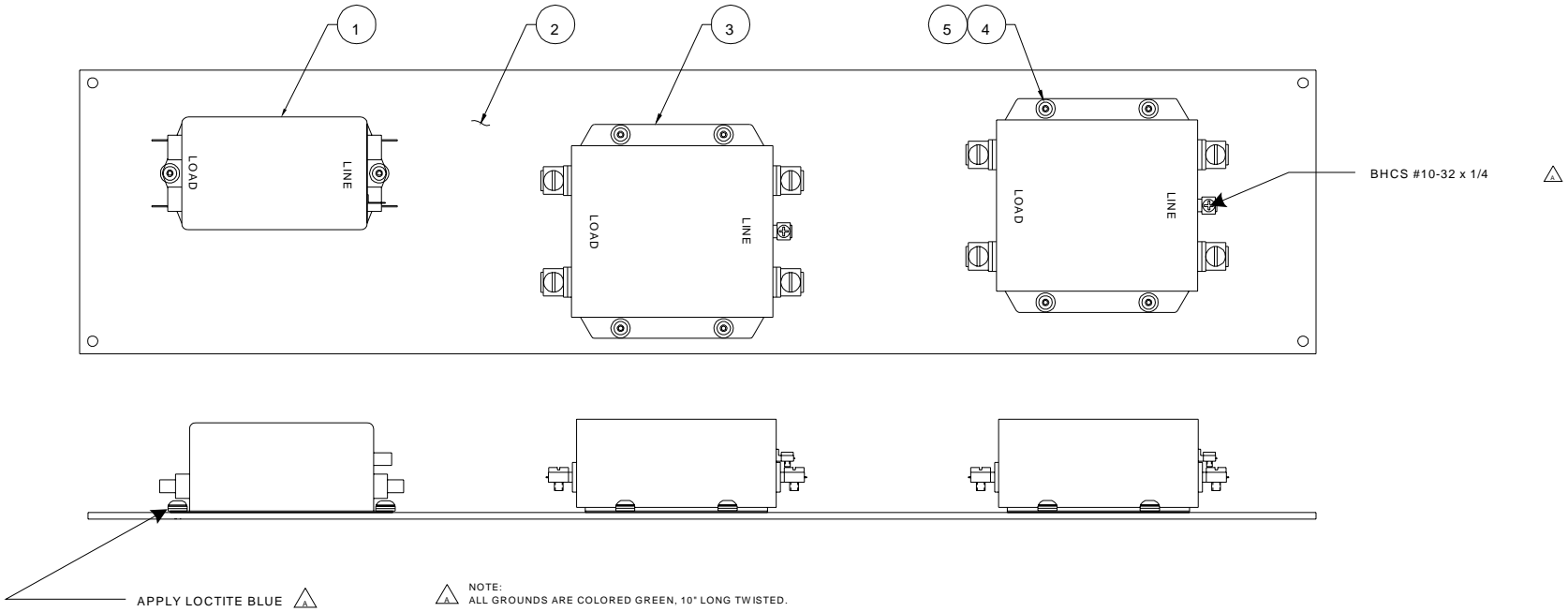


UDETAIL A
DISC SPRING ORIENTATION

3X SCALE

QTY	2536	SHEET 1 OF 1	
REV	2507	UNLESS OTHERWISE SPECIFIED TOLERANCE	
DATE	1166	DIM AS SHOWN	TOL.
BY	1161	X.X	P 1.64
CHKD	0937	X	P .050
APPROVED		X.X	P .020
		X.XX	P .010
		X.XXX	P .005
FINISH TO BE		ANGLES	P 1D
TITLE: ASSEMBLY, BRAKE ORCA 1600		DATE: 11-15-94	DRAWN BY: RAS
4151 Antleron Road, DeForest, Wisconsin 53532 Phone (608) 246-8844 Fax (608) 246-8845		SCALE: 1/1	SIZE: C
		RELEASE NO.	Dwg: 001-158

REQ'D	DESCRIPTION	PART NO.	ITEM
1	FILTER, MOTOR BOARD	185-003	1
1	PLATE, FILTER MOUNT	672-013	2
2	FILTER, AC LINE	185-002	3
10	BHCS, 6-32 X 1/4	-	4
10	WASHER, FLAT, #6	-	5

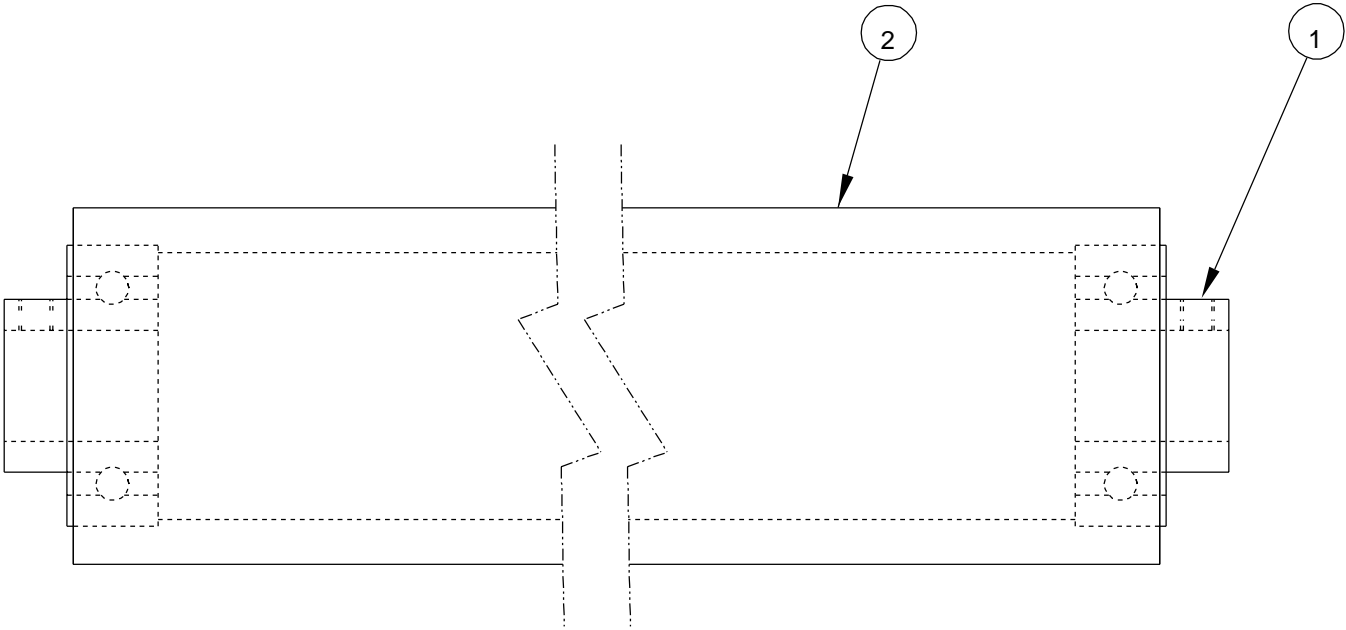


UNLESS OTHERWISE SPECIFIED		TOLERANCE		FINISH		DATE		DRAWN BY:		DWG SCALE		Dwg	
DIM AS SHOWN	TOL.			TO BE		12-30-94	P. R.	C2	001-225				
X.X	P.184			✓									
X	P.050												
X.X	P.050												
X.XX	P.010												
X.XXX	P.005												

Pro-Tech Engineering
 2117 N. Stegeman St. Shelton, Washington 98154
 Phone (509) 245-8844 Fax (509) 246-8645

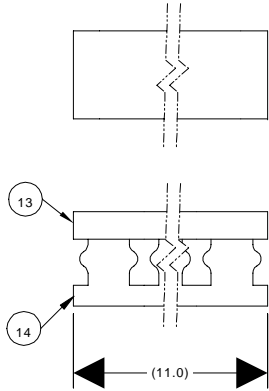
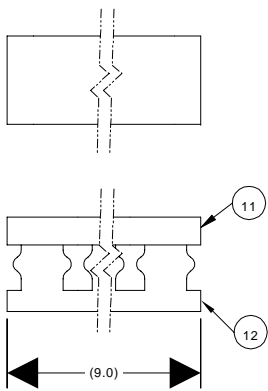
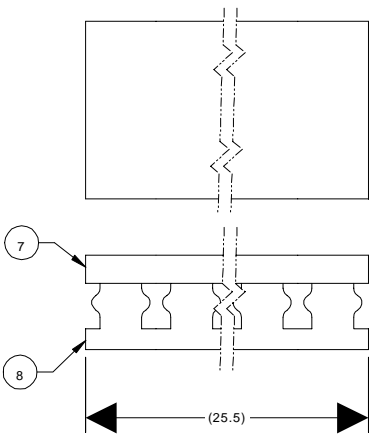
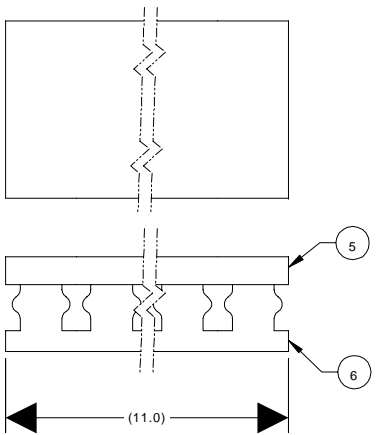
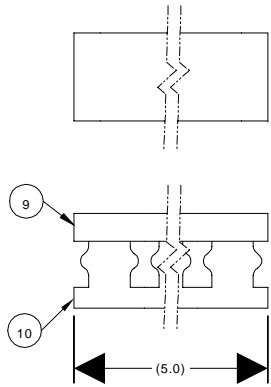
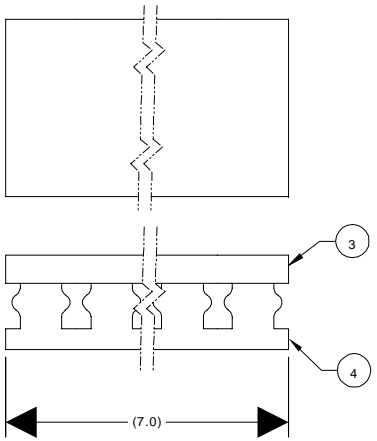
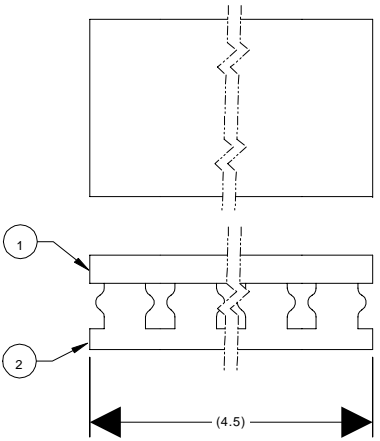
TITLE: ASSEMBLY, NOISE FILTER
 ORCA 1600

REQ'D	DESCRIPTION	PART NO.	ITEM
2	BEARING, IDLER	020-100	1
1	IDLER, 2 X 64", CHROME	620-405	2



This print is the property of PRO-TECH ENGR. The information thereon is remitted in confidence.			
UNLESS OTHERWISE SPECIFIED TOLERANCE		Pro-Tech Engineering 2117 N. Stoughton Rd. Madison, Wisconsin 53704 Phone (608) 246-8844 Fax (608) 246-8645	
DIM. AS SHOWN	TOL.	FINISH TO BE 125√	TITLE: ASSY, IDLER ORCA 1600
X/X	P 1/64		
X.	P .050		
X.X	P .020	ANGLES P 1D	DATE: 1-10-95
X.XX	P .010		
X.XXX	P .005		
REVISION		DRAWN BY: K.L.	DWG SCALE: A1
		Dwg: 001-226	

REQD	DESCRIPTION	PART NO.	ITEM
1	DUCT COVER, 2', 4 - 1/2" LG	180-120	1
1	DUCT BASE, 2', 4-1/2" LG WITH ADHESIVE	180-100	2
1	DUCT COVER, 2', 7" LG	180-120	3
1	DUCT BASE, 2', 7" LG WITH ADHESIVE	180-100	4
1	DUCT COVER, 2', 11" LG	180-120	5
1	DUCT BASE, 2', 11" LG WITH ADHESIVE	180-100	6
1	DUCT COVER, 2', 25-1/2" LG	180-120	7
1	DUCT BASE, 2', 25-1/2" LG WITH ADHESIVE	180-100	8
2	DUCT COVER, 1', 5" LG	180-130	9
2	DUCT BASE, 1', 5" LG WITH ADHESIVE	180-110	10
1	DUCT COVER, 1', 9" LG	180-130	11
1	DUCT BASE, 1' 9" LG WITH ADHESIVE	180-110	12
1	DUCT COVER, 1', 11" LG	180-130	13
1	DUCT BASE, 1', 11" LG WITH ADHESIVE	180-110	14



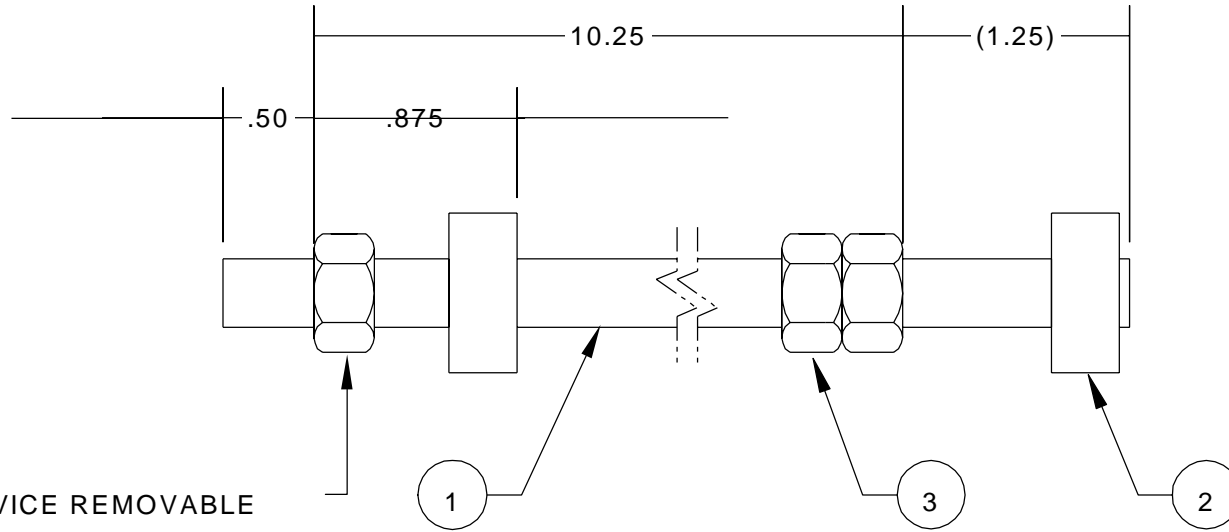
UNLESS OTHERWISE SPECIFIED TOLERANCE				PRO-TECH ENGINEERING	
FINISH TO BE	TOL.	FINISH TO BE	DATE	DRAWN BY	DWG SCALE
XX P.104	1/32	XX P.104	08-16-95	P.R.	C1
X P.200	1/64	X P.200			
XX P.200	1/32	XX P.200			
XX P.210	1/64	XX P.210			
XX P.200	1/32	XX P.200			

TITLE: ASSEMBLY, PANDUIT, MAIN CHASSIS
 Orca 1600
 2117 N. Stegman Rd. Madison, Wisconsin 53718
 Phone (608) 246-8844 Fax (608) 246-8845
 001-231

REQ'D	DESCRIPTION	PART NO.	ITEM
2	DECAL,DANGER HAZARDOUS VOLTAGE	450-131	1
1	DECAL,WARNING MOVING PARTS	450-132	2
2	DECAL,WARNING CRUSH AND BURN,LEFT	450-133	3
2	DECAL,WARNING CRUSH AND BURN,RIGHT	450-134	4
1	DECAL,WARNING READ MANUAL	450-135	5
1	DECAL,READ SAFETY INSTRUCTIONS	450-136	6
1	DECAL,WARNING,MODIFIED CRUSH/CUT	450-011	7
3	DECAL, ELECTRICAL HAZARD	450-035	8
2	DECAL, ELECTRICAL HAZARD	450-180	9

This print is the property of PRO-TECH ENGR. The information thereon is remitted in confidence.										
UNLESS OTHERWISE SPECIFIED TOLERANCE					Pro-Tech Engineering 2117 N. Stoughton Rd. Madison, Wisconsin 53704 Phone (608) 246-8844 Fax (608) 246-8645					
DIM. AS SHOWN	TOL.	FINISH TO BE								
X/X	P 1/64	125√			TITLE: KIT, SAFETY LABEL ORCA 1600					
X.	P .050									
X.X	P .020				DATE:		DRAWN BY:		DWG SCALE:	
X.XX	P .010	ANGLES P 1D			3-2-95		K.L.		A1	
X.XXX	P .005								Dwg: 001-259	

REQ'D	DESCRIPTION	PART NO.	ITEM
1	SHAFT, LIFT, PULL ROLL	710-052	1
2	COLLAR, LOCK, 3/8-24	290-190	2
3	NUT, HEX, 3/8-24	-	3



USE SERVICE REMOVABLE
THREAD LOCKING COMPOUND
(THIS NUT ONLY)

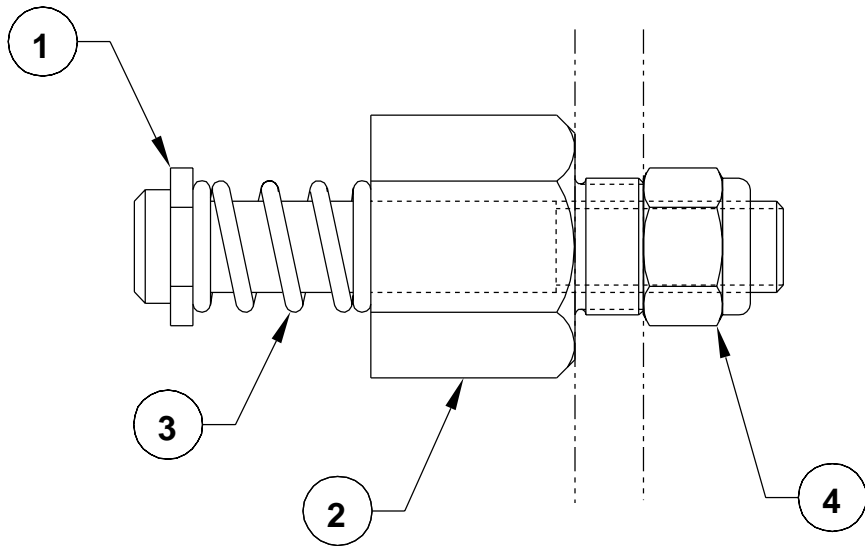
-304 ASSEMBLY


SCALE:1/1

		1057			This print is the property of PRO-TECH ENGR. The information thereon is remitted in confidence.						
		REVISION			UNLESS OTHERWISE SPECIFIED TOLERANCE						
		P.R. 7-27-95			DIM. AS SHOWN		TOL.		FINISH TO BE		
		A			X/X		P 1/64		125√		
					X.		P .050				
					X.X		P .020				
					X.XX		P .010		ANGLES P 1D		
					X.XXX		P .005		DATE: 6-21-95		
							DRAWN BY: P.R.		DWG SCALE: A1		
									Dwg: 001-304		
					<p style="text-align: center;">Pro-Tech Engineering</p> <p style="text-align: center;">2117 N. Stoughton Rd. Madison, Wisconsin 53704 Phone (608) 246-8844 Fax (608) 246-8645</p> <p style="text-align: center;">TITLE: ASSEMBLY, SHAFT, CYLINDER, PULL ROLL ORCA 1600</p>						

PROPRIETARY
 GBC PRO-TECH CLAIMS PROPRIETARY RIGHTS TO THE
 MATERIAL DISCLOSED ON THIS DRAWING. IT IS ISSUED IN CONFIDENCE
 FOR ENGINEERING INFORMATION ONLY AND SHALL NOT BE REPRODUCED,
 COPIED OR DISCLOSED IN WHOLE OR IN PART, OR USED FOR
 MANUFACTURE OR FOR ANY OTHER PURPOSE WITHOUT WRITTEN
 PERMISSION FROM GBC PRO-TECH

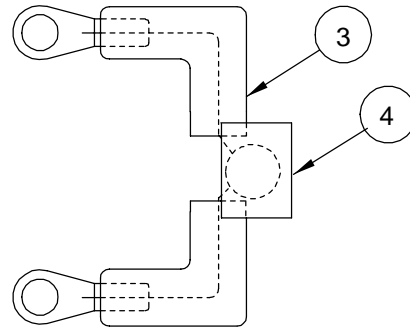
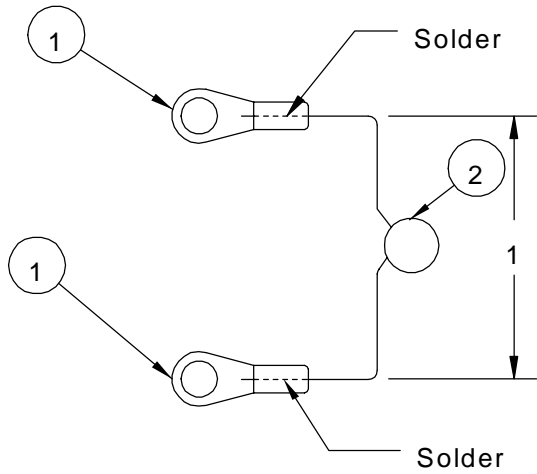
REQ'D	DESCRIPTION	PART NO.	ITEM
1	BOLT, STANDOFF, REMOVABLE IDLER	645-009	1
1	STANDOFF, IDLER, HEX	755-033	2
1	SPRING, COMPRESSION	089-140	3
1	NUT, NYLOCK, 1/2-13	-	4



SHEET OF			 4151 Anderson Road, DeForest, Wisconsin 53532 Phone (608) 246-8844 Fax (608) 246-8645				
UNLESS OTHERWISE SPECIFIED TOLERANCE							
REVISION	DIM. AS SHOWN	TOL.	FINISH TO BE 125√	TITLE:			
	X/X	± 1/64		ASSY, STANDOFF, REMOVABLE IDLER ORCA 1600			
	X.	± .050					
	X.X	± .020	DATE: 05/31/95	DRAWN BY:	SCALE:	SIZE:	Dwg:
	X.XX	± .010	ANGLES ± 1D	RELEASE NO.	PR	1/1	A
X.XXX	± .005						

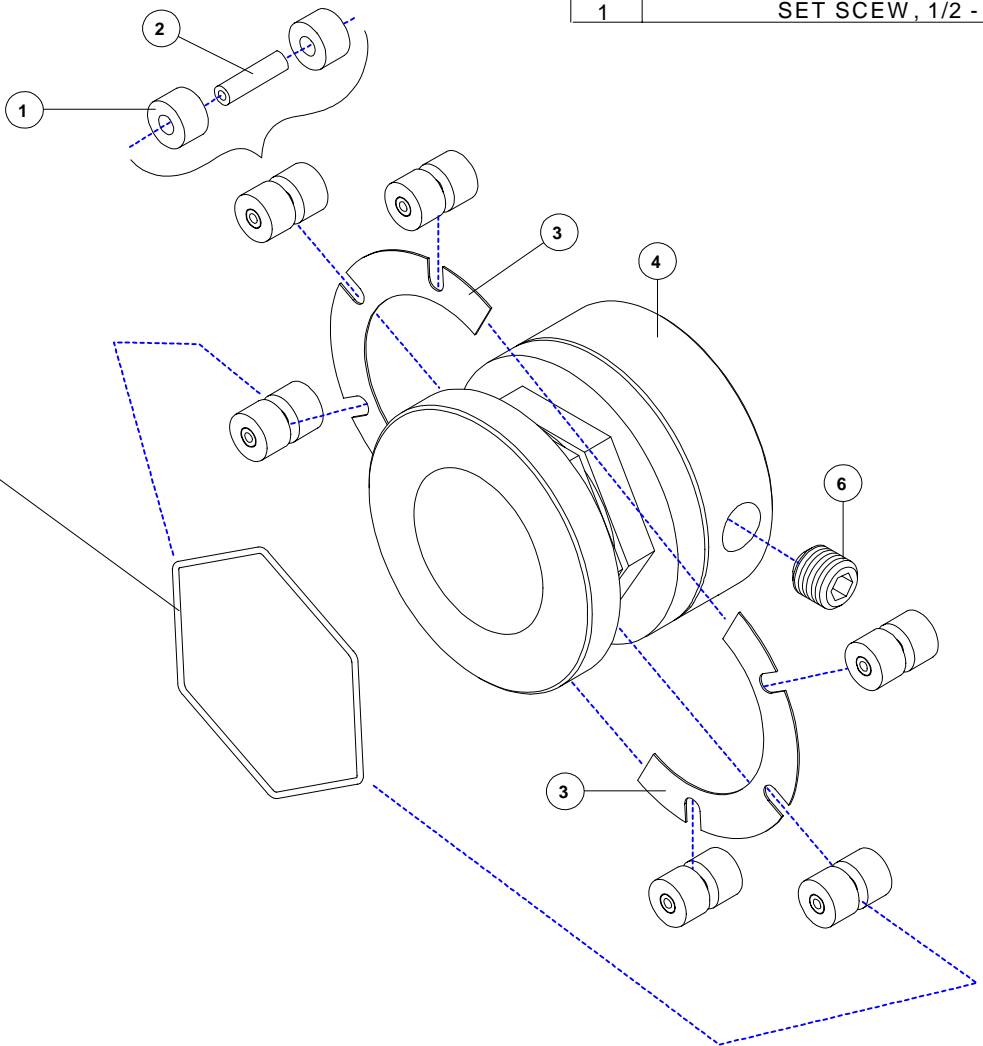
REQ'D	DESCRIPTION	PART NO.	ITEM
2	Connector ring	215-006	1
1	METAL-OXIDE VARISTOR	185-006	2
2	SHRINK TUBE, 1/8 DIA. BY 1.0"	180-425	3
1	SHRINK TUBE, 0.5" DIA. BY 0.85"	180-450	4

Apply a heat shrink tube after soldering

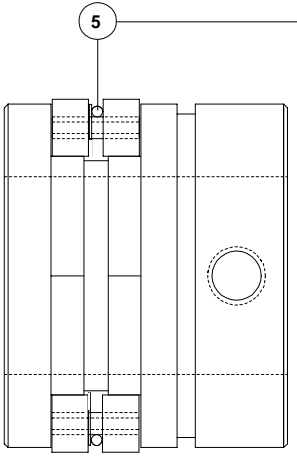


This print is the property of PRO-TECH ENGR. The information thereon is remitted in confidence.									
UNLESS OTHERWISE SPECIFIED TOLERANCE			Pro-Tech Engineering 2117 N. Stoughton Rd. Madison, Wisconsin 53704 Phone (608) 246-8844 Fax (608) 246-8645						
REVISION	DIM. AS SHOWN	TOL.	FINISH TO BE	TITLE: ASSEMBLY, MOV ORCA 1600					
	X/X	P 1/64	125√						
	X.	P .050							
	X.X	P .020							
	X.XX	P .010	ANGLES P 1D	DATE: 3-26-96	DRAWN BY: HZ	DWG SCALE: A1	Dwg: 001-342		
	X.XXX	P .005							

QTY.	DESCRIPTION	PART NO.	ITEM NO.
12	ROLLER	068 - 013	1
6	PIN	095 - 106	2
2	CORE CLIP	530 - 037	3
1	CORE	530 - 036	4
1	O-RING	480 - 006	5
1	SET SCREW, 1/2 - 13 X 1/2	---	6



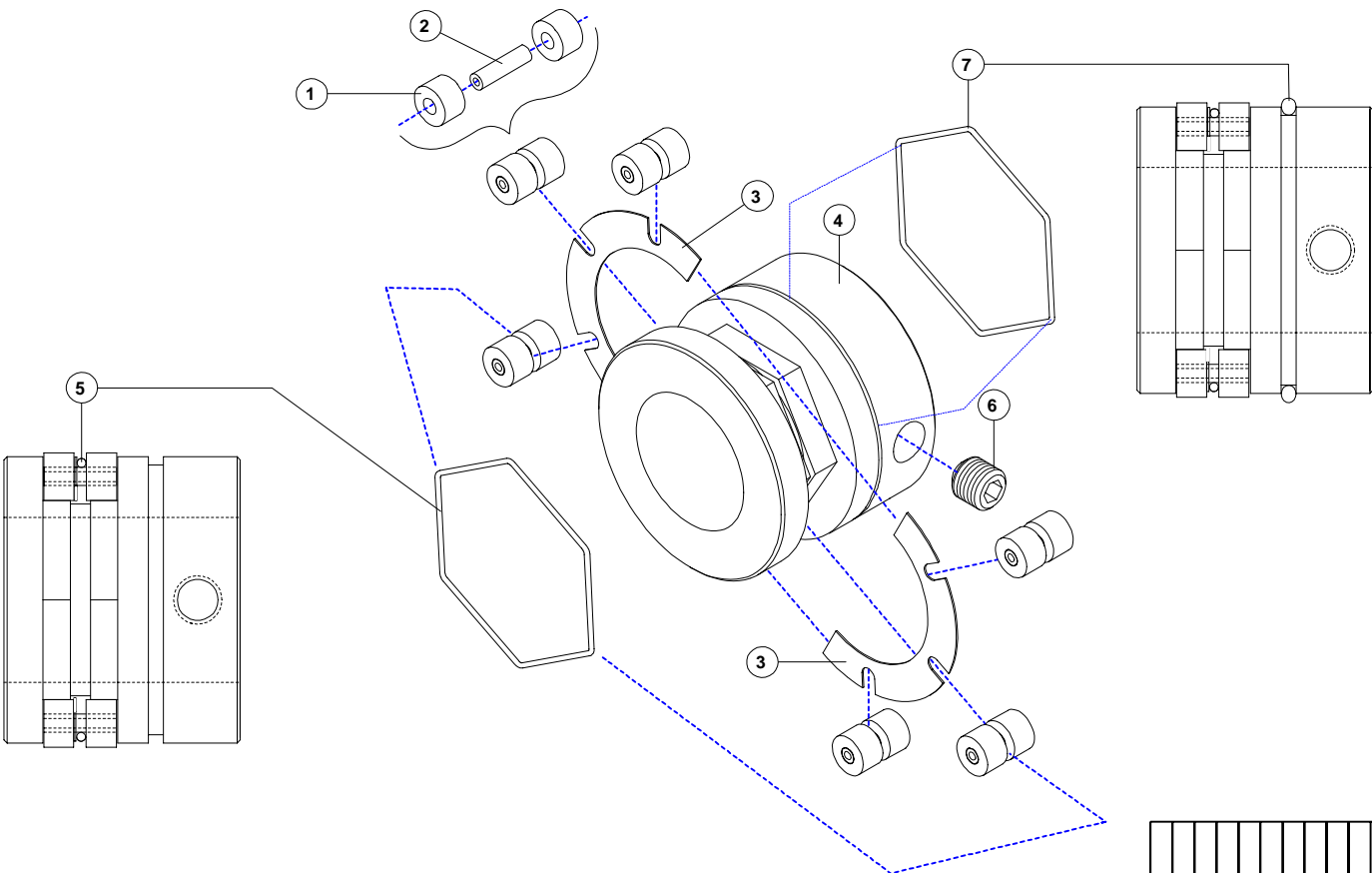
PROPRIETARY
 GBC PRO-TECH CLAIMS PROPRIETARY RIGHTS TO THE MATERIAL DISCLOSED ON THIS DRAWING. IT IS ISSUED IN CONFIDENCE FOR ENGINEERING INFORMATION ONLY AND SHALL NOT BE REPRODUCED, COPIED OR DISCLOSED IN WHOLE OR IN PART, OR USED FOR MANUFACTURE OR FOR ANY OTHER PURPOSE WITHOUT WRITTEN PERMISSION FROM GBC PRO-TECH



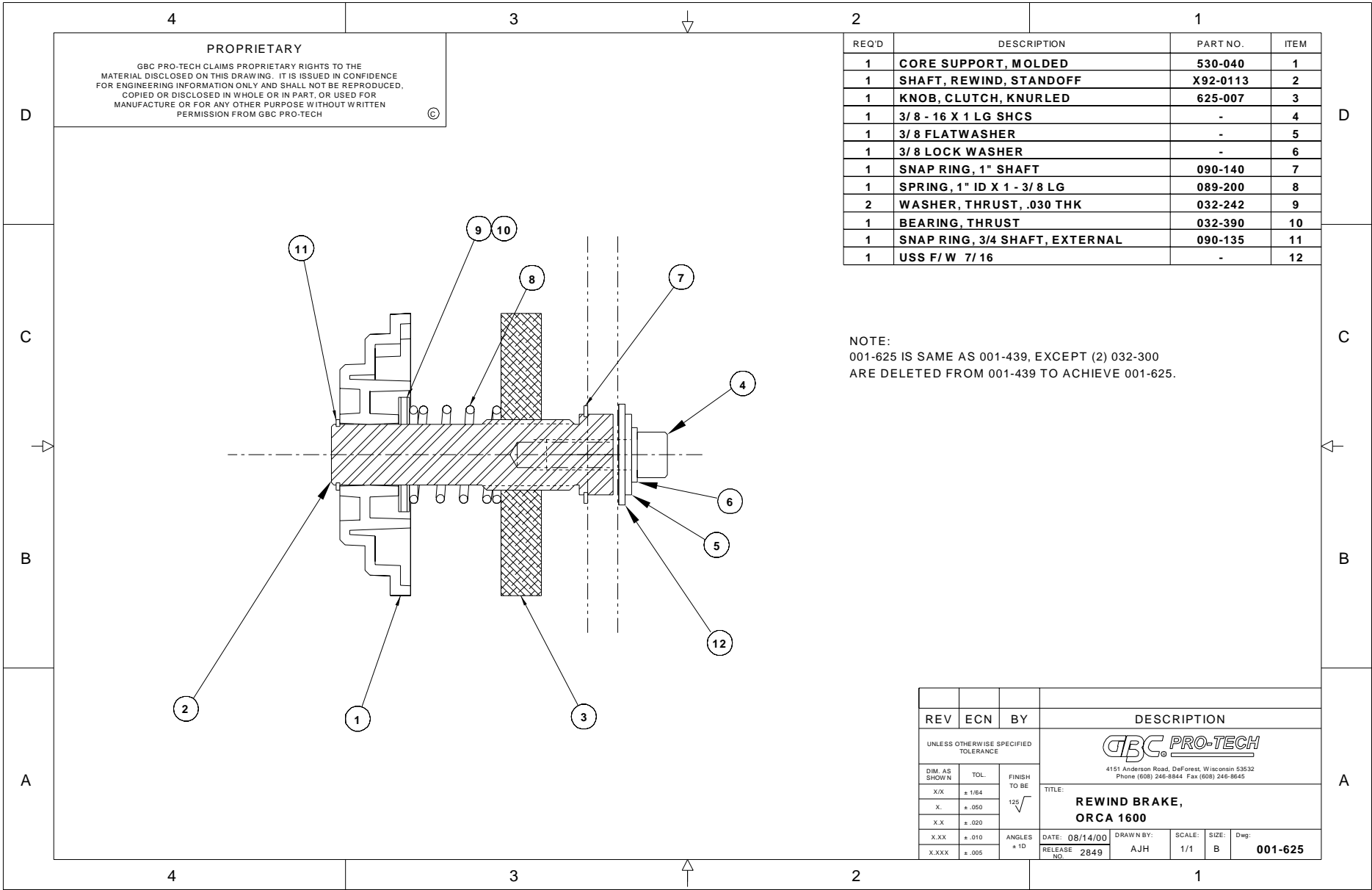
<small>This print is the property of GBC Films Group. The information thereon is meant to be confidential.</small>			
UNLESS OTHERWISE SPECIFIED TOLERANCE		GBC Films Group 4151 Anderson Road, DeForest, WI 53532	
FINISH TO BE	TOL.	DATE:	DRAWN BY:
XX ±.125		10/10/00	N/A
X ±.050			
XX ±.010			
XXX ±.008			
XXXX ±.005			
ANGLES L/D		DWG SCALE:	DWG NO.:
		N/A	001-601

QTY	DESCRIPTION	PART NO.	ITEM NO
12	ROLLER	068 - 013	1
6	PIN	095 - 106	2
2	CORE_CLIP	530 - 037	3
1	CORE	530 - 036	4
1	O-RING	480 - 006	5
1	SET SCEW, 1/2 - 13 X 1/2	---	6
1	O-RING	480 - 007	7

PROPRIETARY
 GBC PRO-TECH CLAIMS PROPRIETARY RIGHTS TO THE MATERIAL DISCLOSED ON THIS DRAWING. IT IS ISSUED IN CONFIDENCE FOR ENGINEERING INFORMATION ONLY AND SHALL NOT BE REPRODUCED, COPIED OR DISCLOSED IN WHOLE OR IN PART, OR USED FOR MANUFACTURE OR FOR ANY OTHER PURPOSE WITHOUT WRITTEN PERMISSION FROM GBC PRO-TECH.



UNLESS OTHERWISE SPECIFIED TOLERANCE			GBC Films Group 4151 Anderson Road, DeForest, WI 53532	
DM AS	TOL.	FRESH TO BE	TITLE : ASSEMBLY, CORE GRIP, PIVOT SIDE ORCA 1600	
XXX	±.04	100		
XX	±.015	100	DATE :	DRAWN BY :
XXX	±.020	100	10/10/00	N/A
XXXX	±.060	100	ANGLES	DWG SCALE :
				N/A
				DWG :
				001-602



PROPRIETARY
 GBC PRO-TECH CLAIMS PROPRIETARY RIGHTS TO THE MATERIAL DISCLOSED ON THIS DRAWING. IT IS ISSUED IN CONFIDENCE FOR ENGINEERING INFORMATION ONLY AND SHALL NOT BE REPRODUCED, COPIED OR DISCLOSED IN WHOLE OR IN PART, OR USED FOR MANUFACTURE OR FOR ANY OTHER PURPOSE WITHOUT WRITTEN PERMISSION FROM GBC PRO-TECH

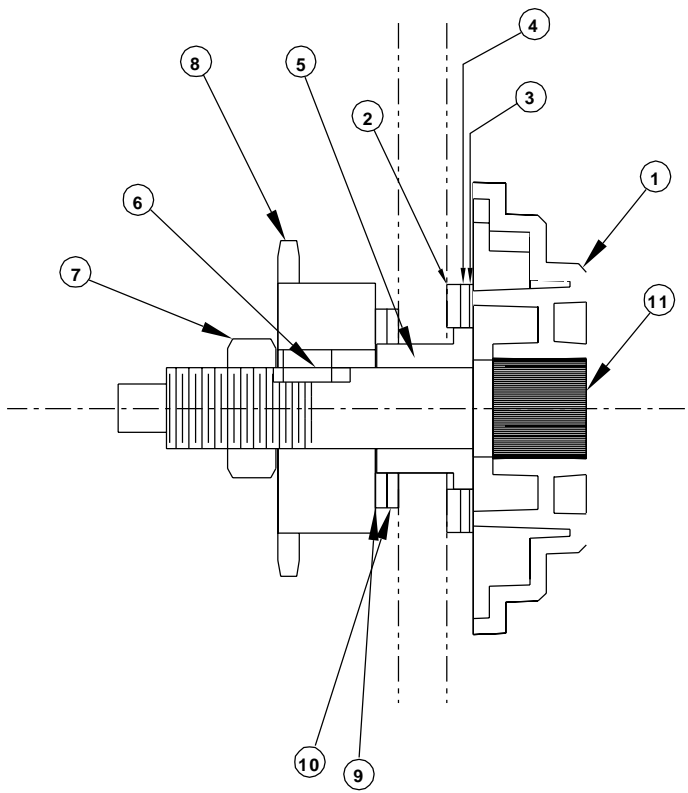
REQ'D	DESCRIPTION	PART NO.	ITEM
1	CORE SUPPORT, MOLDED	530-040	1
1	SHAFT, REWIND, STANDOFF	X92-0113	2
1	KNOB, CLUTCH, KNURLED	625-007	3
1	3/8 - 16 X 1 LG SHCS	-	4
1	3/8 FLATWASHER	-	5
1	3/8 LOCK WASHER	-	6
1	SNAP RING, 1" SHAFT	090-140	7
1	SPRING, 1" ID X 1 - 3/8 LG	089-200	8
2	WASHER, THRUST, .030 THK	032-242	9
1	BEARING, THRUST	032-390	10
1	SNAP RING, 3/4 SHAFT, EXTERNAL	090-135	11
1	USS F/W 7/16	-	12

NOTE:
 001-625 IS SAME AS 001-439, EXCEPT (2) 032-300 ARE DELETED FROM 001-439 TO ACHIEVE 001-625.

REV	ECN	BY	DESCRIPTION
UNLESS OTHERWISE SPECIFIED TOLERANCE			 4151 Anderson Road, DeForest, Wisconsin 53532 Phone (608) 246-8844 Fax (608) 246-8645
TITLE:			
REWIND BRAKE, ORCA 1600			
DATE: 08/14/00 DRAWN BY: SCALE: SIZE: Dwg: 001-625			
RELEASE NO: 2849			AJH 1/1 B

REQ'D	DESCRIPTION	PART NO.	ITEM
1	CORE SUPPORT, MOLDED	530 - 040	1
1	WASHER, THRUST, .090 THK	032 - 420	2
1	WASHER, THRUST, .030 THK	032 - 410	3
1	BEARING, THRUST	032 - 400	4
1	BUSHING	040 - 003	5
1	KEY, 1/4 X 1/4 X 3/8 LG	-	6
1	NYLOCK NUT, 5/8 - 11	-	7
1	SPROCKET, 35BS20 X 5/8	435 - 175	8
2	WASHER, THRUST, .090 THK	032 - 205	9
1	BEARING, THRUST	032 - 190	10
1	SHAFT, REWIND DRIVE	710 - 132	11

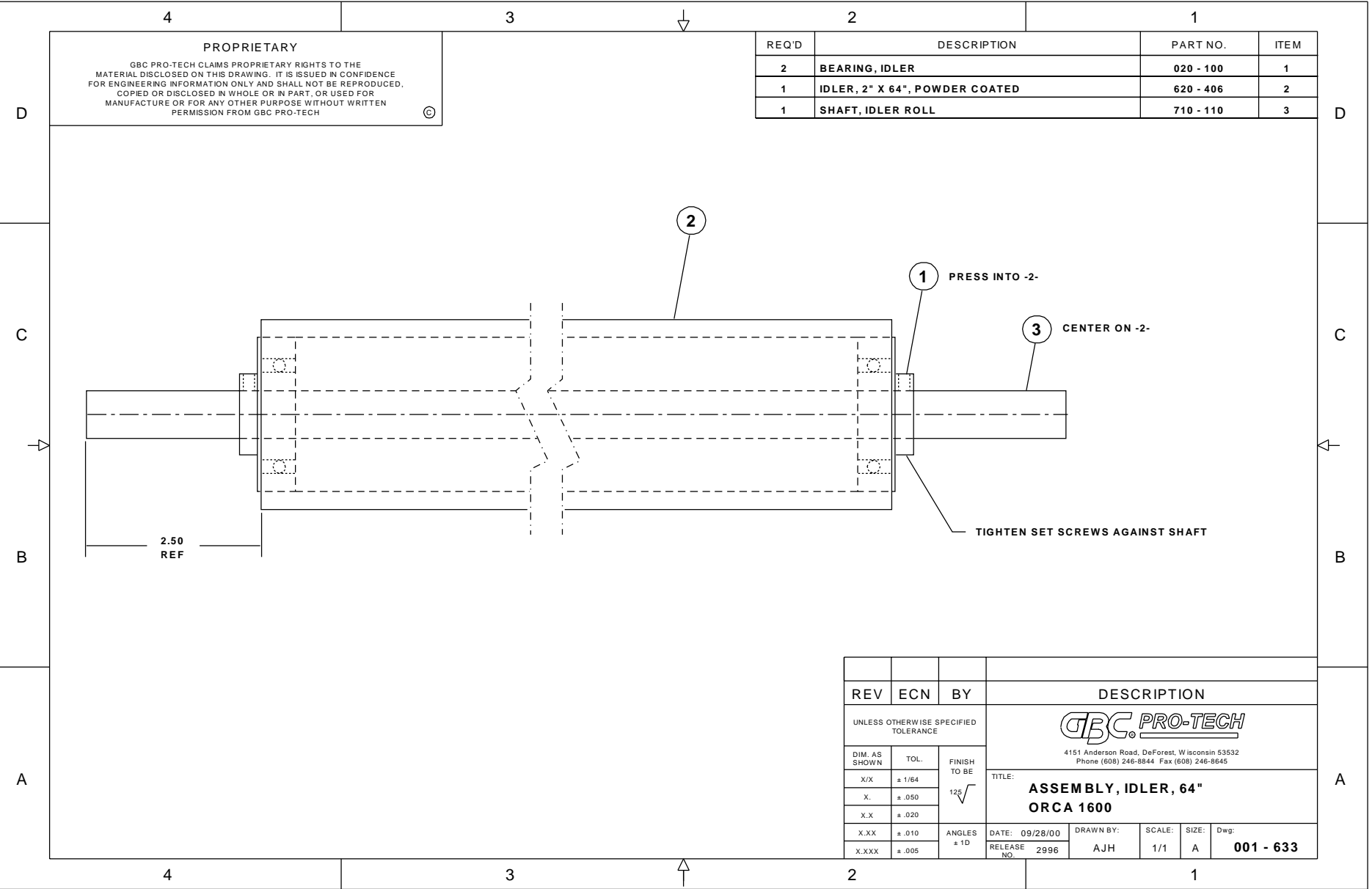
PROPRIETARY
 GBC PRO-TECH CLAIMS PROPRIETARY RIGHTS TO THE MATERIAL DISCLOSED ON THIS DRAWING. IT IS ISSUED IN CONFIDENCE FOR ENGINEERING INFORMATION ONLY AND SHALL NOT BE REPRODUCED, COPIED OR DISCLOSED IN WHOLE OR IN PART, OR USED FOR MANUFACTURE OR FOR ANY OTHER PURPOSE WITHOUT WRITTEN PERMISSION FROM GBC PRO-TECH



REV	ECN	BY	DESCRIPTION
UNLESS OTHERWISE SPECIFIED TOLERANCE			 4151 Anderson Road, DeForest, Wisconsin 53532 Phone (608) 246-8844 Fax (608) 246-8645
DIM. AS SHOWN	TOL.	FINISH TO BE	
X/X	± 1/64	125√	
X.	± .050		
X.X	± .020		
X.XX	± .010	ANGLES ± 1D	DATE: 08/14/00
X.XXX	± .005		RELEASE NO: 2850
		DRAWN BY: AJH	SCALE: 1/1
			SIZE: B
			Dwg: 001-626

REQ'D	DESCRIPTION	PART NO.	ITEM
2	BEARING, IDLER	020 - 100	1
1	IDLER, 2" X 64", POWDER COATED	620 - 406	2
1	SHAFT, IDLER ROLL	710 - 110	3


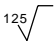
PROPRIETARY
 GBC PRO-TECH CLAIMS PROPRIETARY RIGHTS TO THE MATERIAL DISCLOSED ON THIS DRAWING. IT IS ISSUED IN CONFIDENCE FOR ENGINEERING INFORMATION ONLY AND SHALL NOT BE REPRODUCED, COPIED OR DISCLOSED IN WHOLE OR IN PART, OR USED FOR MANUFACTURE OR FOR ANY OTHER PURPOSE WITHOUT WRITTEN PERMISSION FROM GBC PRO-TECH

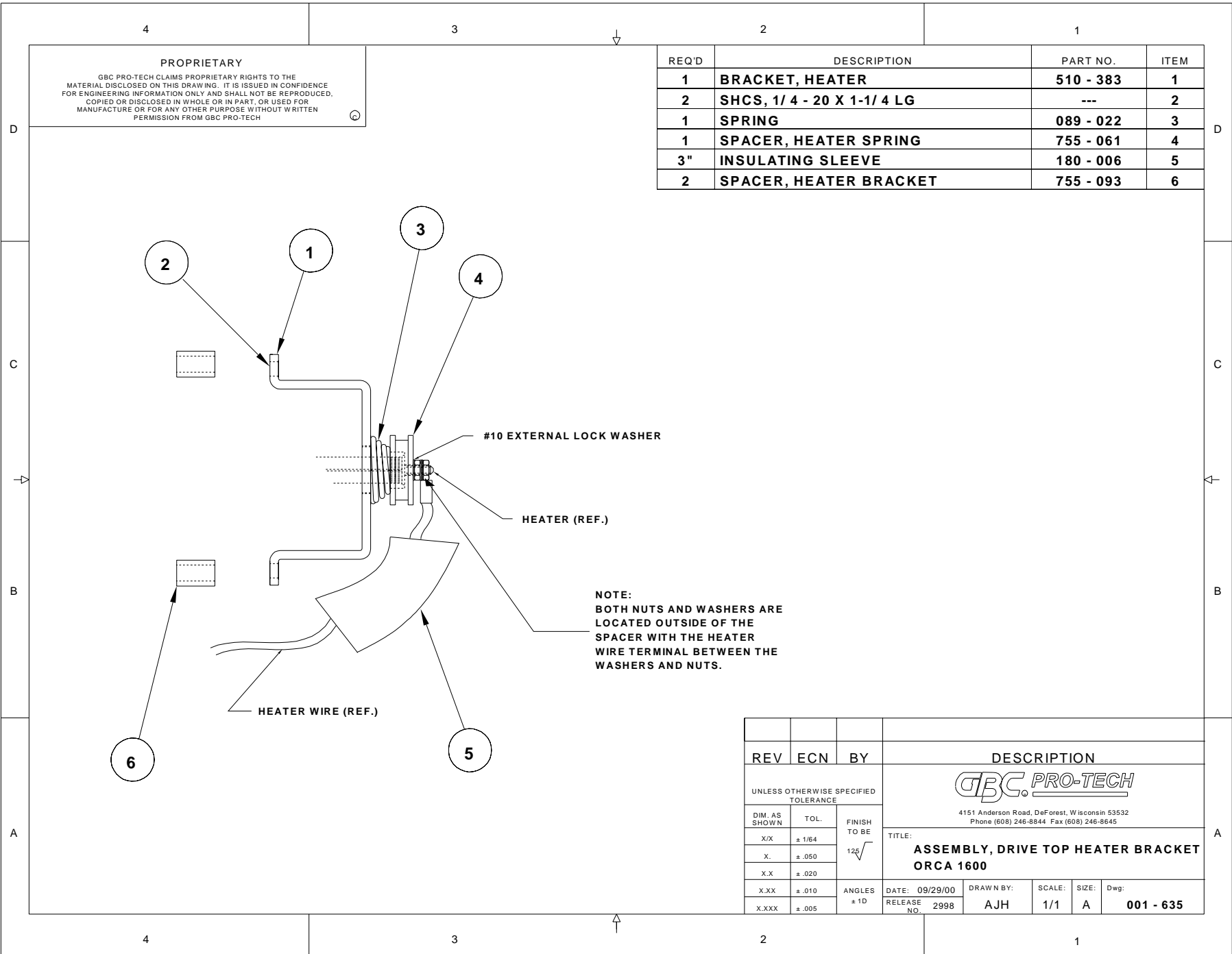


REV	ECN	BY	DESCRIPTION
UNLESS OTHERWISE SPECIFIED TOLERANCE			 4151 Anderson Road, DeForest, Wisconsin 53532 Phone (608) 246-8844 Fax (608) 246-8645
TITLE: ASSEMBLY, IDLER, 64" ORCA 1600			
DIM. AS SHOWN	TOL.	FINISH TO BE	DATE: 09/28/00
X/X	± 1/64	125√	DRAWN BY: AJH
X.	± .050		SCALE: 1/1
X.X	± .020	ANGLES ± 1D	SIZE: A
X.XX	± .010	RELEASE NO. 2996	Dwg: 001 - 633
X.XXX	± .005		

PROPRIETARY
 GBC PRO-TECH CLAIMS PROPRIETARY RIGHTS TO THE MATERIAL DISCLOSED ON THIS DRAWING. IT IS ISSUED IN CONFIDENCE FOR ENGINEERING INFORMATION ONLY AND SHALL NOT BE REPRODUCED, COPIED OR DISCLOSED IN WHOLE OR IN PART, OR USED FOR MANUFACTURE OR FOR ANY OTHER PURPOSE WITHOUT WRITTEN PERMISSION FROM GBC PRO-TECH

REQ'D	DESCRIPTION	PART NO.	ITEM
1	FUSE, SB, 3AG	186 - 200	1
1	OPERATIONS MANUAL	930 - 061	2
1	BOX	475 - 010	3
1	TOWEL	475 - 950	4
1	ZIPPY KNIFE	475 - 620	5
1	MASKING TAPE	475 - 000	6
1	RUBBER CEMENT PICKUP	930320	7
1	LEVEL PAD, 5/ 8	470 - 100	8
1	STRAIN RELIEF, MAIN POWER	175 - 201	9
1	WRENCH, 1/ 4 ALLEN	475 - 210	13
1	O - RING	480 - 005	14
1	3/ 4" - 10 HEX NUT	---	18
1	AIR HOSE WITH FITTINGS	360 - 000	19
1	FITTING, 1/ 4" COUPLING	330 - 000	20

REV	ECN	BY	DESCRIPTION				
UNLESS OTHERWISE SPECIFIED TOLERANCE			 4151 Anderson Road, DeForest, Wisconsin 53532 Phone (608) 246-8844 Fax (608) 246-8645				
DIM. AS SHOWN	TOL.	FINISH TO BE					TITLE:
X/X	± 1/64	125 	ASSEMBLY, ACCESSORY PACK ORCA 1600				
X.	± .050						
X.X	± .020	ANGLES ± 1D	DATE: 09/28/00	DRAWN BY: AJH	SCALE: 1/1	SIZE: A	Dwg: 001 - 634
X.XXX	± .005		RELEASE NO. 2997				

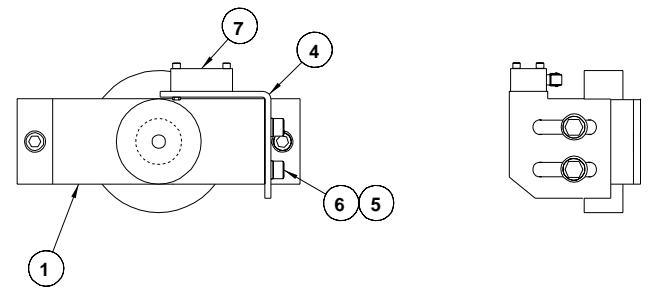
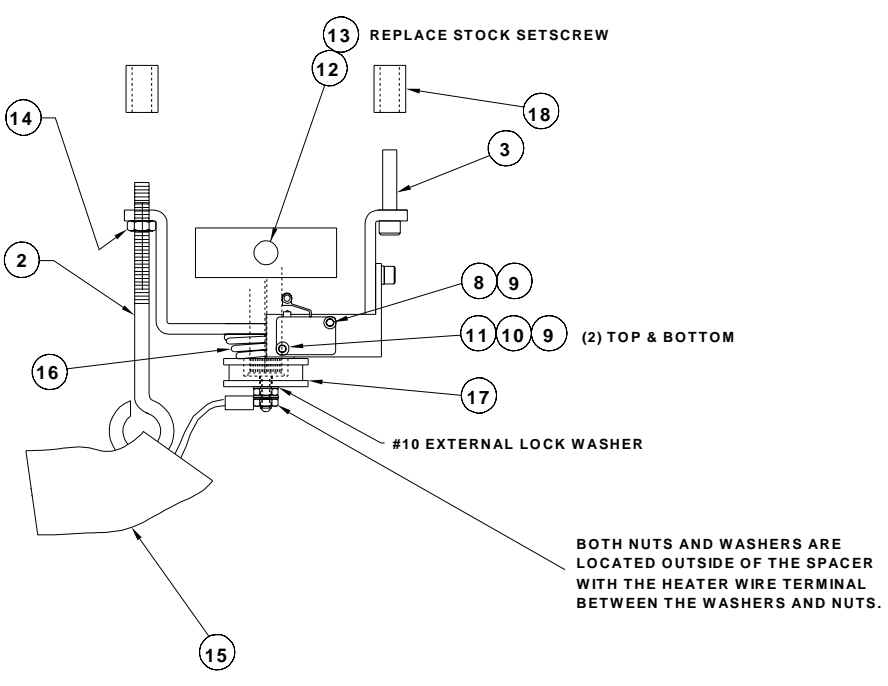


PROPRIETARY
 GBC PRO-TECH CLAIMS PROPRIETARY RIGHTS TO THE MATERIAL DISCLOSED ON THIS DRAWING. IT IS ISSUED IN CONFIDENCE FOR ENGINEERING INFORMATION ONLY AND SHALL NOT BE REPRODUCED, COPIED OR DISCLOSED IN WHOLE OR IN PART, OR USED FOR MANUFACTURE OR FOR ANY OTHER PURPOSE WITHOUT WRITTEN PERMISSION FROM GBC PRO-TECH

REQ'D	DESCRIPTION	PART NO.	ITEM
1	BRACKET, HEATER	510 - 383	1
2	SHCS, 1/ 4 - 20 X 1-1/ 4 LG	---	2
1	SPRING	089 - 022	3
1	SPACER, HEATER SPRING	755 - 061	4
3"	INSULATING SLEEVE	180 - 006	5
2	SPACER, HEATER BRACKET	755 - 093	6

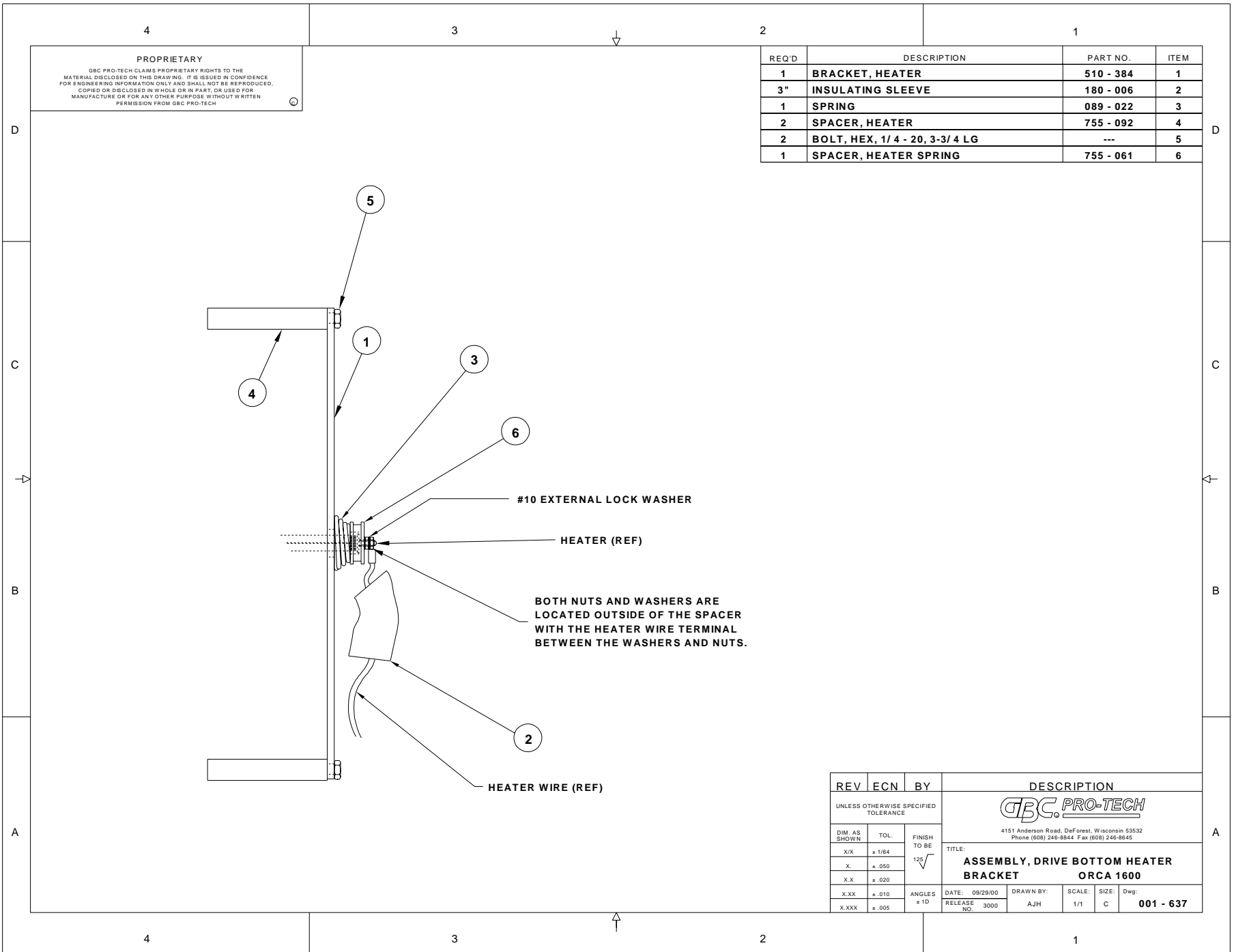
REV	ECN	BY	DESCRIPTION			
UNLESS OTHERWISE SPECIFIED TOLERANCE			 4151 Anderson Road, DeForest, Wisconsin 53532 Phone (608) 246-8844 Fax (608) 246-8645			
DIM. AS SHOWN	TOL.	FINISH TO BE	TITLE: ASSEMBLY, DRIVE TOP HEATER BRACKET ORCA 1600 DATE: 09/29/00 DRAWN BY: AJH SCALE: 1/1 SIZE: A Dwg: 001 - 635 RELEASE NO. 2998			
X/X	± 1/64	12 $\frac{1}{2}$ √				
X.	± .050					
X.X	± .020					
X.XX	± .010	ANGLES ± 1D				
X.XXX	± .005					

REQ'D	DESCRIPTION	PART NO.	ITEM
1	BRACKET, HEATER	510 - 383	1
1	EYE BOLT, 1/4 - 20 X 4"	---	2
1	SHCS, 1/4 - 20 X 1-1/4 LG	---	3
1	BRACKET, MOUNTING, SWITCH, OVERHEAT	510 - 149	4
2	SHCS, 10 - 32 X .38	---	5
2	WASHER, FLAT #10	---	6
1	SWITCH, BASIC, ROLLER LEVER	214 - 000	7
1	SHCS, #4 - 40 X .5	---	8
3	WASHER, FLAT, #4	---	9
1	SHCS, #4 - 40 X .62	---	10
1	NUT, HEX, #4 - 40	---	11
1	LOCK COLLAR	290 - 006	12
1	SETSCREW, 3/8 - 16 FLAT TIP	---	13
1	NUT, HEX, JAM, 1/4 - 20	---	14
3"	INSULATING SLEEVE	180 - 006	15
1	SPRING	089 - 022	16
1	SPACER, HEATER SPRING	755 - 061	17
2	SPACER, HEATER BRACKET	755 - 093	18



PROPRIETAR
 Y
 GBC PRO-TECH CLAIMS PROPRIETARY RIGHTS TO THE MATERIAL DISCLOSED ON THIS DRAWING. IT IS ISSUED IN CONFIDENCE FOR ENGINEERING INFORMATION ONLY AND SHALL NOT BE REPRODUCED, COPIED OR DISCLOSED IN WHOLE OR IN PART, OR USED FOR MANUFACTURE OR FOR ANY OTHER PURPOSE WITHOUT WRITTEN PERMISSION FROM GBC PRO-TECH

REV	ECN	BY	DESCRIPTION		
UNLESS OTHERWISE SPECIFIED TOLERANCE			GBC PRO-TECH 4151 Anderson Road, DeForest, Wisconsin 53532 Phone (608) 246-8844 Fax (608) 246-8645		
DIM AS SHOWN	TOL.	FINISH TO BE			
X/X	± 1/64	125			
X.	± .050				
X.X	± .020			TITLE: ASSEMBLY, ELECTRIC TOP HEATER BRACKET ORCA 1600	
X.XX	± .010	ANGLES ± 1D	DATE: 09/29/00	DRAWN BY: AJH	
X.XXX	± .005		RELEASE NO: 3001	SCALE: 1/1 SIZE: C Dwg: 001 - 636	



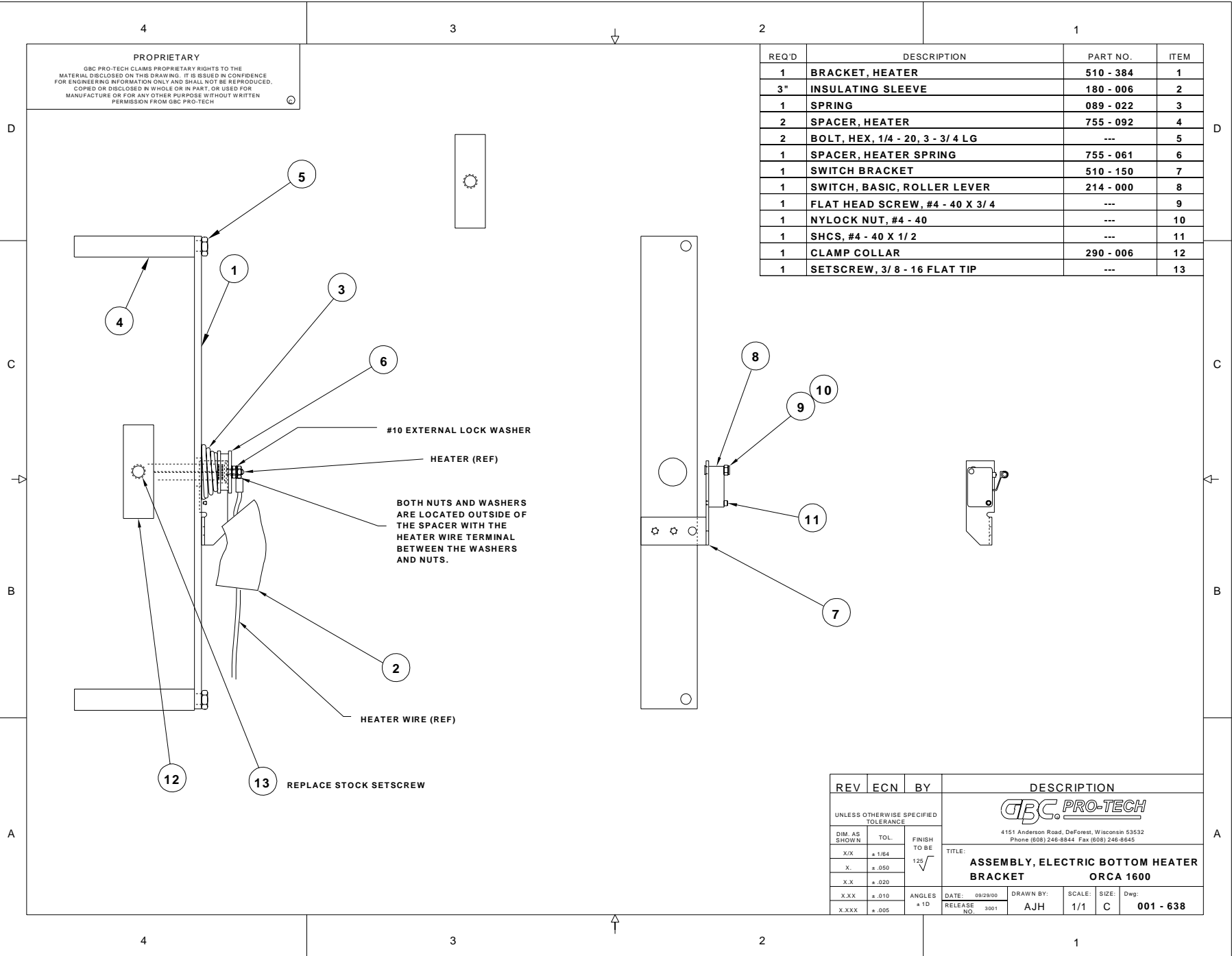
PROPRIETARY
 GBC PRO-TECH CLAIMS PROPRIETARY RIGHTS TO THE MATERIAL DISCLOSED ON THIS DRAWING. IT IS ISSUED IN CONFIDENCE FOR ENGINEERING INFORMATION ONLY AND SHALL NOT BE REPRODUCED, COPIED OR DISCLOSED IN WHOLE OR IN PART, OR USED FOR MANUFACTURE OR FOR ANY OTHER PURPOSE WITHOUT WRITTEN PERMISSION FROM GBC PRO-TECH

REQ'D	DESCRIPTION	PART NO.	ITEM
1	BRACKET, HEATER	510 - 384	1
3"	INSULATING SLEEVE	180 - 006	2
1	SPRING	089 - 022	3
2	SPACER, HEATER	755 - 092	4
2	BOLT, HEX, 1/4 - 20, 3-3/4 LG	---	5
1	SPACER, HEATER SPRING	755 - 061	6

REV	ECN	BY	DESCRIPTION
UNLESS OTHERWISE SPECIFIED TOLERANCE			 4151 Anderson Road, DeForest, Wisconsin 53532 Phone (608) 246-8844 Fax (608) 246-8645
DIM AS SHOWN	TOL.	FINISH TO BE	
X/X	± 1/64	125°	TITLE: ASSEMBLY, DRIVE BOTTOM HEATER BRACKET ORCA 1600
X.	± .050		
X.X	± .020	ANGLES ± 1D	DATE: 09/29/00 RELEASE NO: 3000 DRAWN BY: AJH SCALE: 1/1 SIZE: C Dwg: 001 - 637
X.XX	± .010		
X.XXX	± .005		

REQD	DESCRIPTION	PART NO.	ITEM
1	BRACKET, HEATER	510 - 384	1
3"	INSULATING SLEEVE	180 - 006	2
1	SPRING	089 - 022	3
2	SPACER, HEATER	755 - 092	4
2	BOLT, HEX, 1/4 - 20, 3 - 3/4 LG	---	5
1	SPACER, HEATER SPRING	755 - 061	6
1	SWITCH BRACKET	510 - 150	7
1	SWITCH, BASIC, ROLLER LEVER	214 - 000	8
1	FLAT HEAD SCREW, #4 - 40 X 3/4	---	9
1	NYLOCK NUT, #4 - 40	---	10
1	SHCS, #4 - 40 X 1/2	---	11
1	CLAMP COLLAR	290 - 006	12
1	SETSCREW, 3/8 - 16 FLAT TIP	---	13

PROPRIETARY
 GBC PRO-TECH CLAIMS PROPRIETARY RIGHTS TO THE MATERIAL DISCLOSED ON THIS DRAWING. IT IS ISSUED IN CONFIDENCE FOR ENGINEERING INFORMATION ONLY AND SHALL NOT BE REPRODUCED, COPIED OR DISCLOSED IN WHOLE OR IN PART, OR USED FOR MANUFACTURE OR FOR ANY OTHER PURPOSE WITHOUT WRITTEN PERMISSION FROM GBC PRO-TECH



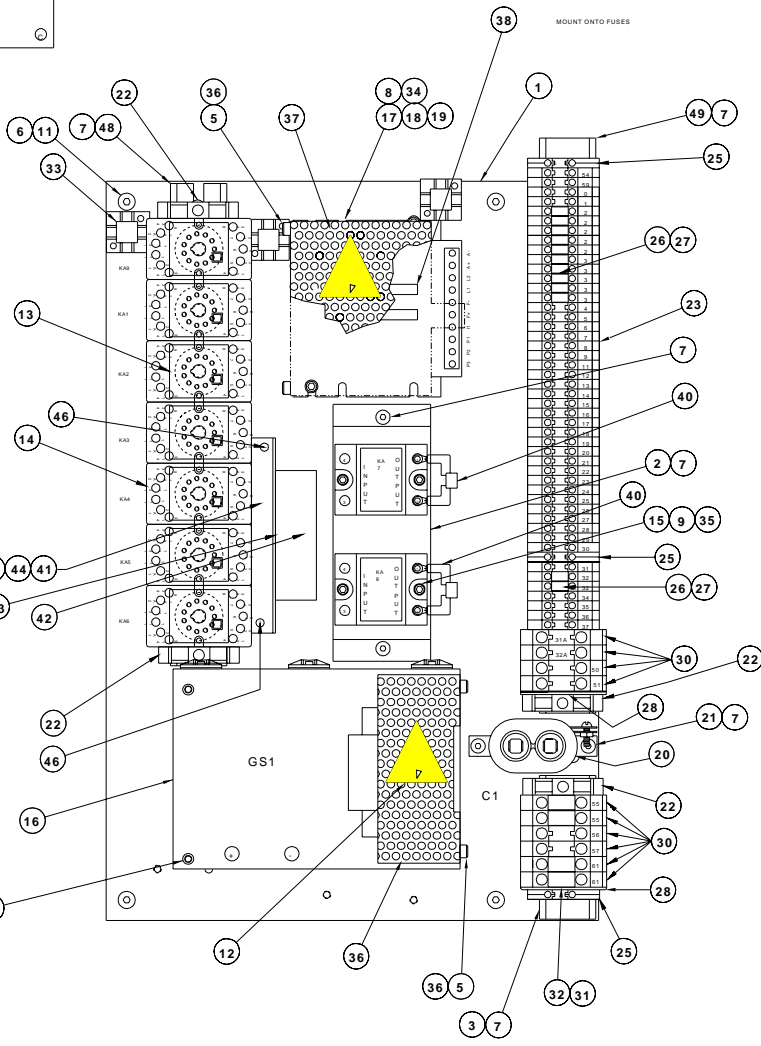
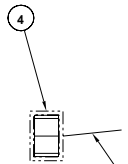
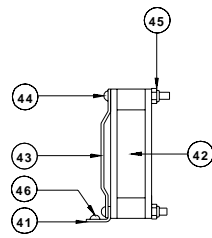
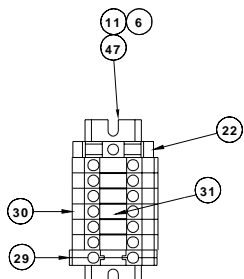
REV	ECN	BY	DESCRIPTION
UNLESS OTHERWISE SPECIFIED TOLERANCE			GBC PRO-TECH 4151 Anderson Road, DeForest, Wisconsin 53532 Phone (608) 246-8844 Fax (608) 246-8845 TITLE: ASSEMBLY, ELECTRIC BOTTOM HEATER BRACKET ORCA 1600 DATE: 09/29/00 DRAWN BY: AJH SCALE: 1/1 SIZE: C Dwg: 001 - 638 RELEASE NO. 3001
DIM. AS SHOWN	TOL.	FINISH TO BE	
X/X	± 1/64	125 ✓	
X.	± .050		
X.X	± .020		
X.XX	± .010	ANGLES ± 1D	
X.XXX	± .005		

REQ'D	DESCRIPTION	PART NO.	ITEM
1	PANEL	670 - 004	1
1	MODIFIED, HEATSINK	610 - 100	2
1	DIN RAIL	217 - 003	3
1	SWITCH, FWD/ REV	214 - 280	4
4	SHCS 10 - 32 X 5	---	5
6	1/4" EXTERNAL TOOTH STARWASHER	---	6
10	BHCS, 10 - 32 X .375	---	7
2	SHCS, 10 - 32 X .375	---	8
12	SHCS, 8 - 32 X .375	---	9
4	SPACER, THREADED, HEX, 8 - 32	120 - 002	10
6	BHCS, 1/4 - 20 X .375	---	11
2	DECAL, WARNING, HIGH VOLTAGE	450 - 035	12
7	RELAY, 24 VDC	207 - 006	13
7	BASE, RELAY	207 - 007	14
2	RELAY, SOLID STATE, 90 AMP, 480 VOLT	207 - 005	15
1	POWER SUPPLY, DC	245 - 200	16
1	CONTROLLER, MOTOR, KBLC - 240 DS	220 - 160	17
1	BOARD, BARRIER	220 - 110	18
1	RESISTOR, HP	220 - 130	19
1	CAPACITOR, FAN, 4 OHM, 370 VAC	185 - 001	20
1	BRACKET, CAPACITOR MOUNT	100 - 015	21
5	RAIL END	217 - 170	22
40	TERMINAL, BLUE, 4 MM	217 - 270	23
7	TERMINAL, 4 MM	217 - 120	24
3	TERMINAL, GROUND, 4 MM	217 - 140	25
12	BAR, JUMPER, 4 MM	217 - 240	26
12	COVER, JUMPER, 4 MM	217 - 250	27
2	END COVER, TERMINAL, 10 MM	217 - 215	28
1	TERMINAL, GROUND, 10 MM	217 - 235	29
16	TERMINAL, 10 MM	217 - 220	30
10	BAR, JUMPER, 10 MM	217 - 245	31
10	COVER, JUMPER, 10 MM	217 - 255	32
6	BASE, TIE	175 - 004	33
2	FUSE, 250 V, 20 AMP, CERAMIC	186 - 135	34
2	COVER, RELAY	207 - 003	35
4	NUT, 10 - 32 NYLOCK	---	36
1	GUARD, MOTOR CONTROLLER	585 - 011	37
2	GUARD, FUSE, MOTOR CONTROLLER	585 - 012	38
1	GUARD, POWER SUPPLY	585 - 010	39
2	ASSEMBLY, MOV FOR O-III SSR	001 - 342	40
1	BRACKET, FAN, HEATSINK	510 - 265	41
1	FAN, HEATSINK, 24 VDC	182 - 000	42
1	GUARD, FAN	182 - 012	43
4	PHMS 6 - 32 X 1.50	---	44
4	NUT, NYLOCK, 6 - 32 X 1.50	---	45
2	BHCS 10 - 32 X .25	---	46
1	DIN RAIL	217 - 005	47
1	DIN RAIL	217 - 208	48
1	DIN RAIL	217 - 205	49

REV	ECN	BY	DESCRIPTION
UNLESS OTHERWISE SPECIFIED TOLERANCE			GBC PRO-TECH 4151 Anderson Road, DeForest, Wisconsin 53532 Phone (808) 246-8844 Fax (808) 246-8845
DIM. AS SHOWN	TOL.	FINISH TO BE	
X.X	±.184	12	
X	±.092	12	
X.X	±.025		
X.XX	±.010	ANGLES	DATE: 11/8/00
X.XXX	±.005	RELEASE NO.	3031
DRAWN BY: AJH			SCALE: 1/1
SIZE: A			DRG NO: 001 - 640

NOTE:
 1. SIMILAR TO 001-115; CHANGES DIN RAILS TO ADD A RELAY AND TWO TERMINAL BLOCKS

PROPRIETARY
 GBC PRO-TECH CLAIMS PROPRIETARY RIGHTS TO THE MATERIAL DISCLOSED ON THIS DRAWING. IT IS ISSUED IN CONFIDENCE FOR ENGINEERING INFORMATION ONLY AND SHALL NOT BE REPRODUCED, COPIED OR DISCLOSED IN WHOLE OR IN PART, OR USED FOR MANUFACTURE OR FOR ANY OTHER PURPOSE WITHOUT WRITTEN PERMISSION FROM GBC PRO-TECH



This page intentionally left blank