



MERCURY Parts List



GBC IS AN ACCO BRANDS COMPANY

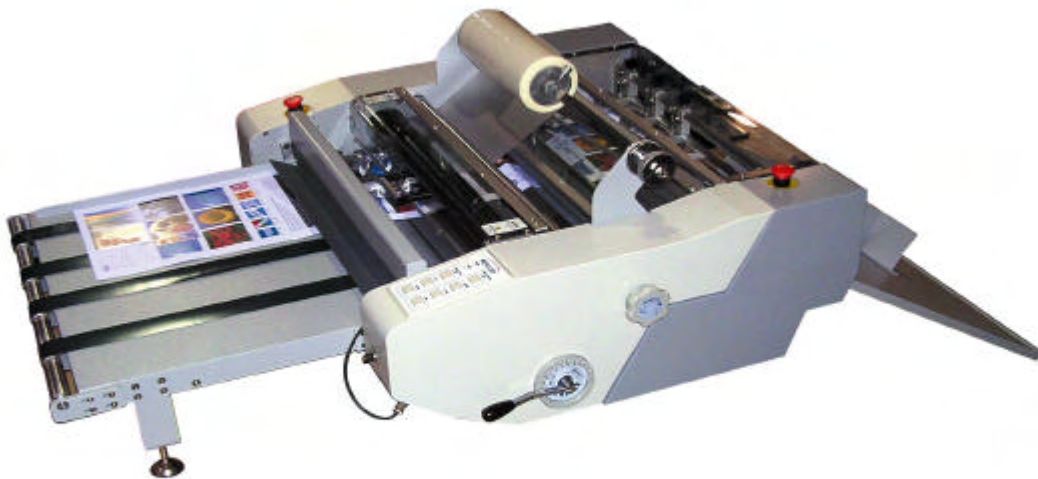
MERCURY

Parts Manual

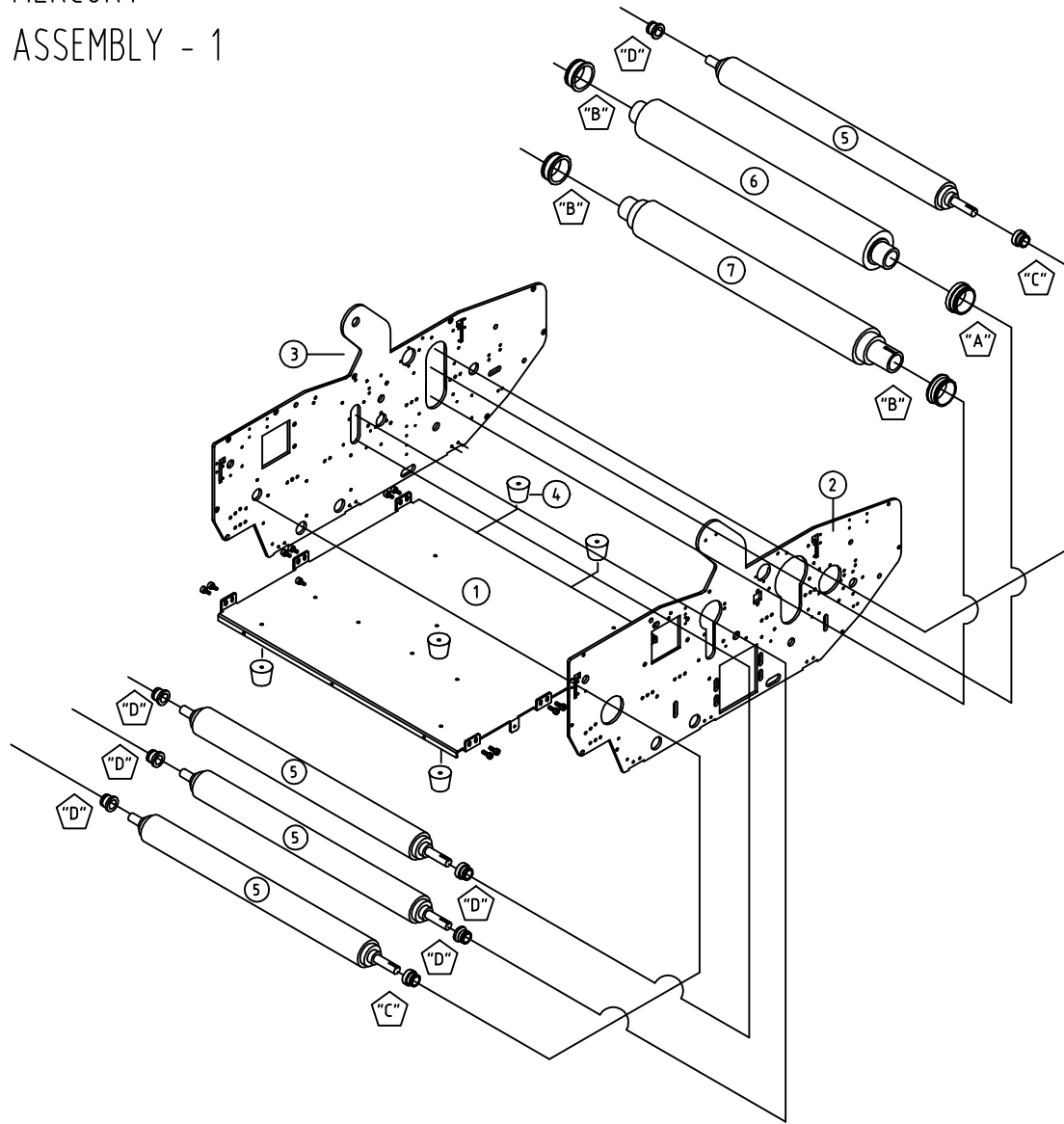
Machine Number: 3600076

Document Number: 930-111 Rev: - Rev. Date: 9-2-04
2004 GENERAL BINDING CORPORATION ALL RIGHTS RESERVED

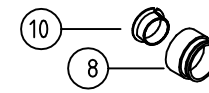
Do not duplicate without written permission



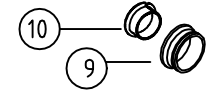
MERCURY ASSEMBLY - 1



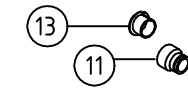
Item No.	Part No.	Part name	Spec	Quantity
1	601410603	BOTTOM PLATE	SPC 3T 496x601	1EA
2	630100612	SIDE PLATE (L)	SPC 5.0Tx822x430/P014	1EA
3	630100613	SIDE PLATE (R)	SPC 5.0Tx822x430/P022	1EA
4	703010104	RUBBER FOOT (SURELAM/ROLL)	SILICON (F40x45x50)	5EA
5	607050143	P/ROLLER-SILICON	F53x756	4EA
6	607050141	H/ROLLER (UP)-TEFLON	F75x731	1EA
7	607050142	H/ROLLER (LOW)-SILICON	F70x756	1EA
8	613020608	H/R SHAFT BRARING HOUSING (UP)	F44.2xF55x21	1EA
9	613020609	H/R SHAFT BRARING HOUSING (LOW)	F44.2xF55x21	3EA
10	701050276	DU BUSHING FRANGE	40x20	4EA
11	613020610	P/R SHAFT BEARING HOUSING (UP)	F17.2xF28x21.5	2EA
12	613020611	P/R SHAFT BEARING HOUSING (LOW)	F17.2xF28x21.5	6EA
13	701050247	DU BUSHING FRANGE	15x20	8EA



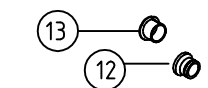
"A" H/R UP



"B" H/R LOW



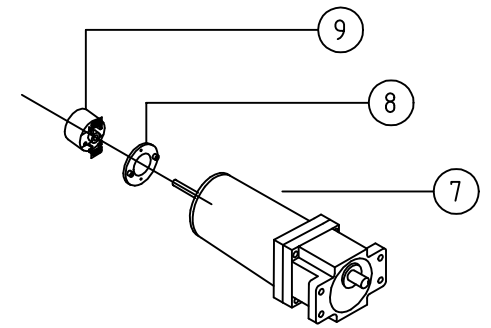
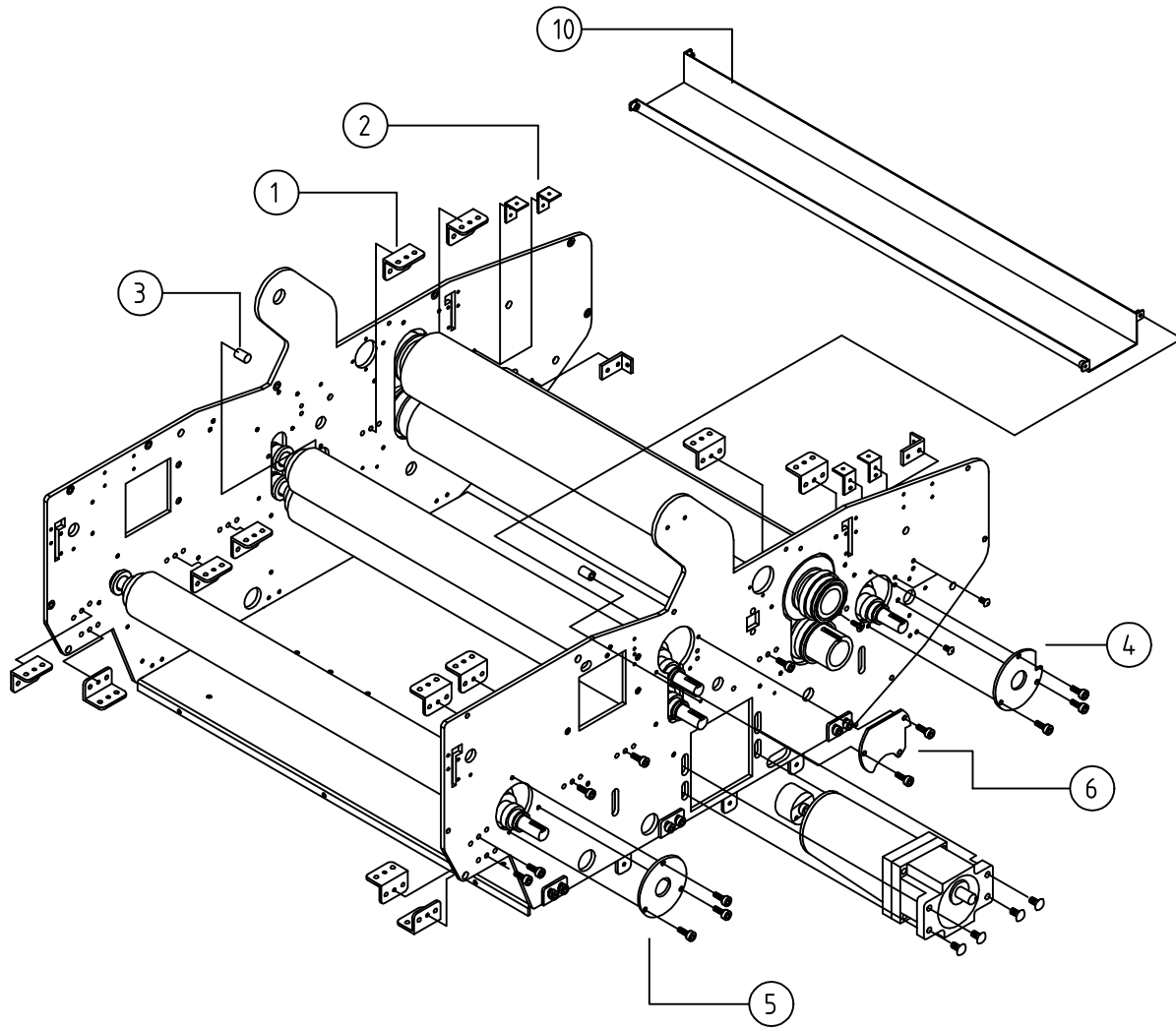
"C" P/R UP



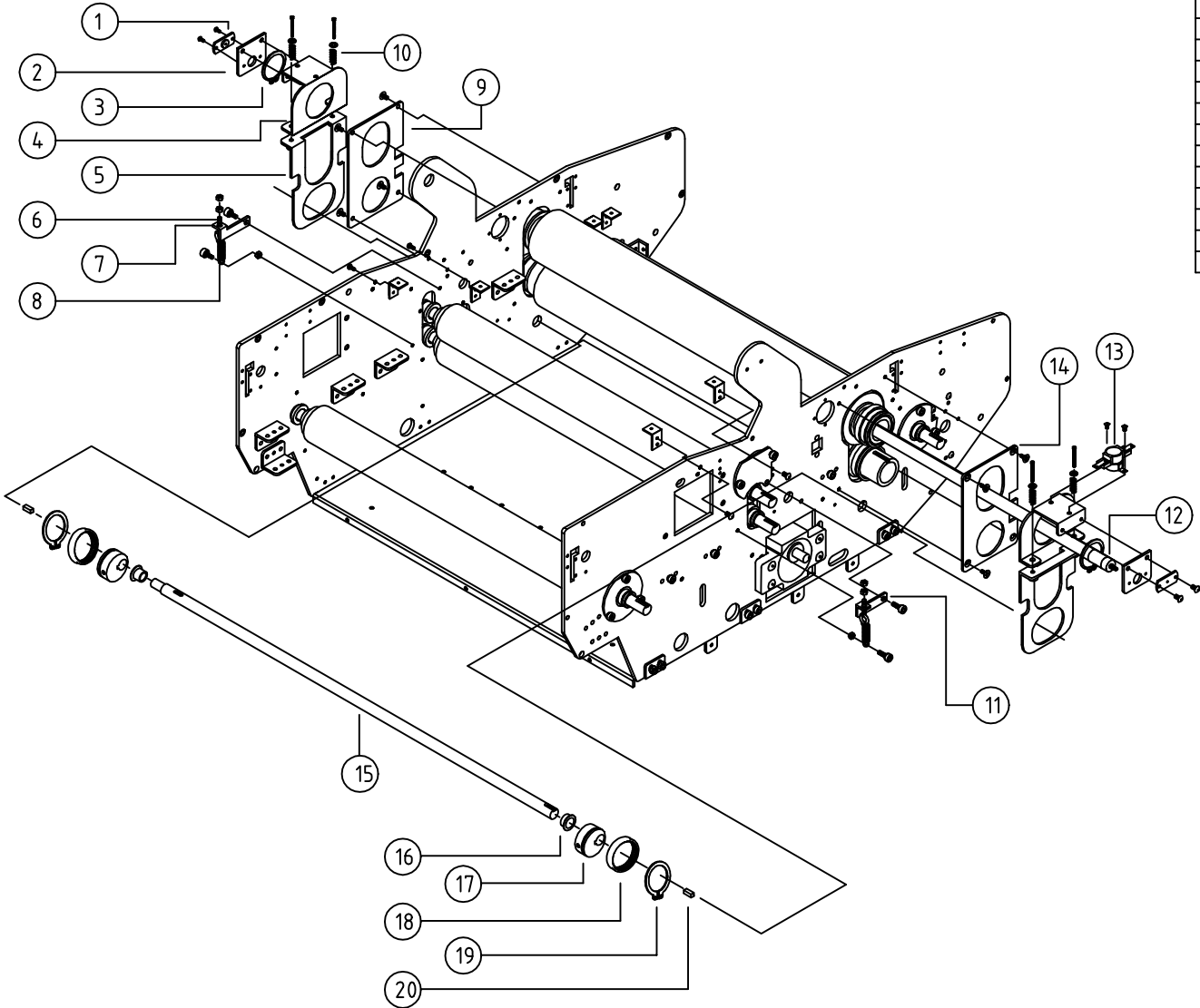
"D" P/R LOW

MERCURY ASSEMBLY - 2

Item No.	Part No.	Part name	Spec	Quantity
1	601410227	SUPPORT PLATE	SPC 3T 40x27x25	12EA
2	601211157	SURE BACK COVER SUPPORT	FE2.0T x17x4.3	6EA
3	613030541	GBC4265 SUPPORT PIN	SM45C F10x20	2EA
4	601410625	BEARING COVER -0	SPC 3T F71xF22.3	1EA
5	601410626	BEARING COVER -1	SPC 3T F71xF22.3	1EA </td
6	601410627	BEARING COVER -2	SPC 3T F75	1EA
7	635000026	DC GEARED MOTOR	DC120W/36V/3000RPM (A030 100-1)	1EA
8	601410229	ENCORDER FIX PLATE	SPC 3T F60x8	1EA
9	704200611	ROTARY ENCODER	E40H8-100-3-2 (100RPM)	1EA
10	630100610	MIDDEL GUIDE	EGI 1.0T 684x73/P470	1EA

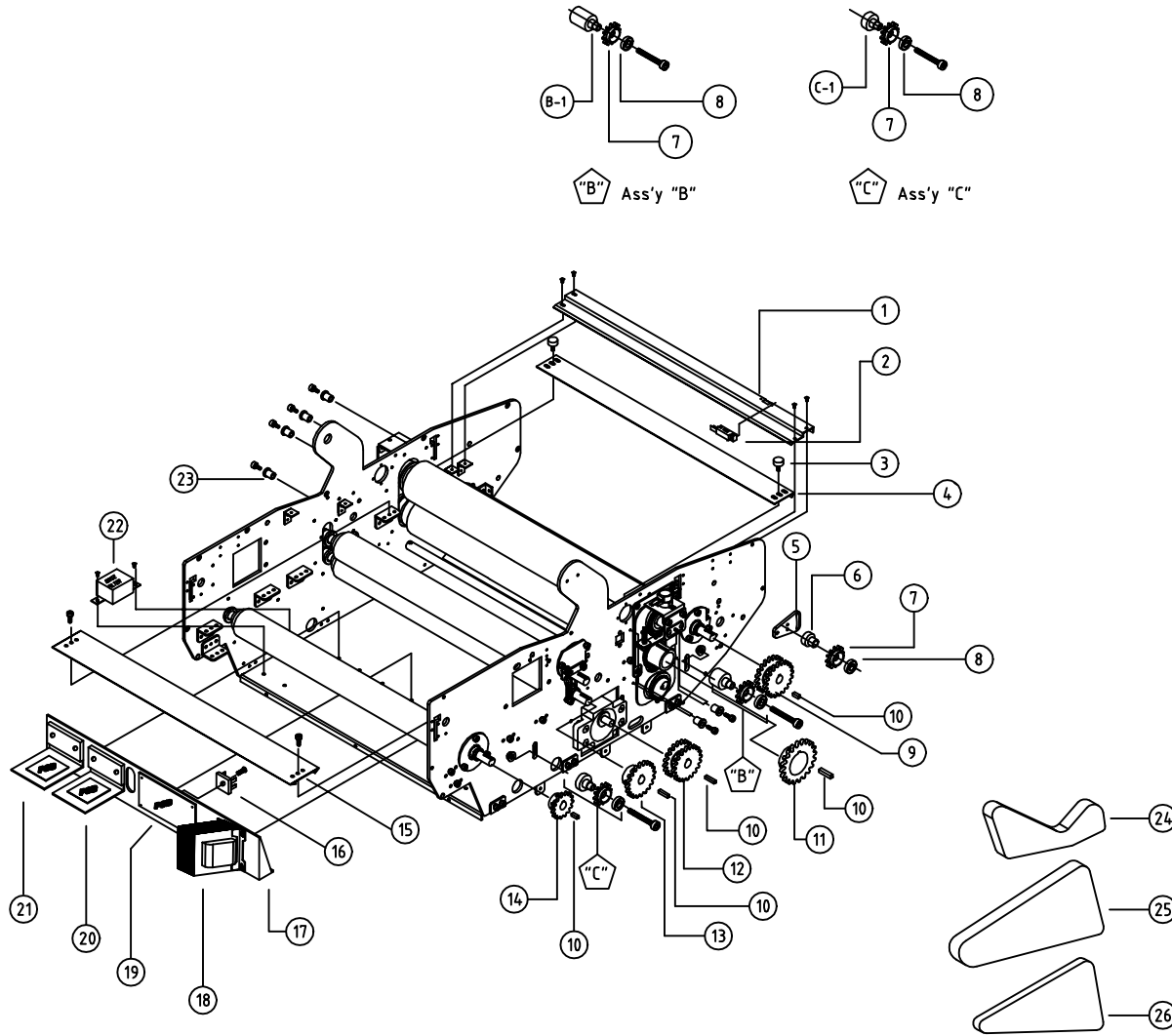


MERCURY ASSEMBLY - 3

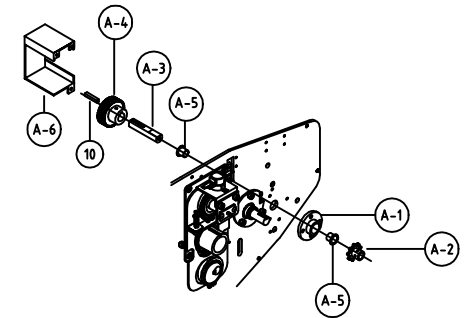


Item No.	Part No.	Part name	Spec	Quantity
1	703040211	HEATER TEFRON BUSH	F40xF14xFS.2x8	2EA
2	601410614	HEATER SUPPORT	SPC 3T 45x50	2EA
3	701090728	SPRING S RING	F50	4EA
4	601410618	HOT ROLLER HOOK	SPC 3T F50.3x100x68	2EA
5	601410617	ECCENTRIC PLATE	SPC 3T 100x139	2EA
6	613030538	P/R TENSION BOLT	M6.0x30EH	2EA
7	601310510	P/R TENSION LEVER (R)	SPC 3T 100x155	1EA
8	701090157	SPRING	2.5T x30mm	2EA
9	601410616	HOT ROLLER GUIDE (R)	FE3.0T 54x19	1EA
10	701090116	ROLLER SPRING	F2.3x26.5x12.6	4EA
11	601310509	P/R TENSION LEVER (L)	FE3.0T 54x19	1EA
12	706025082	INFRARED HEATER ASS'Y	200HM F20x851	1EA
13	704150111	BI-METAL THERMOSTAT	60T21 (250V/15A/120°C)	1EA
14	601410615	HOT ROLLER GUIDE (L)	FE3.0T 54x19	1EA
15	613020616	ECCENTRIC SHAFT	S45C F15x839	1EA
16	701050243	DU BUSHING FRANGE	15x10	2EA
17	613020612	ECCENTRIC CAM	S45C F40x16.5	2EA
18	701020222	DRAWN CAP NIDDEL BEARING	HK4012	2EA
19	810400075	SPRING S RING	40	2EA
20	613020524	KEY	S45C 5x5x20	2EA

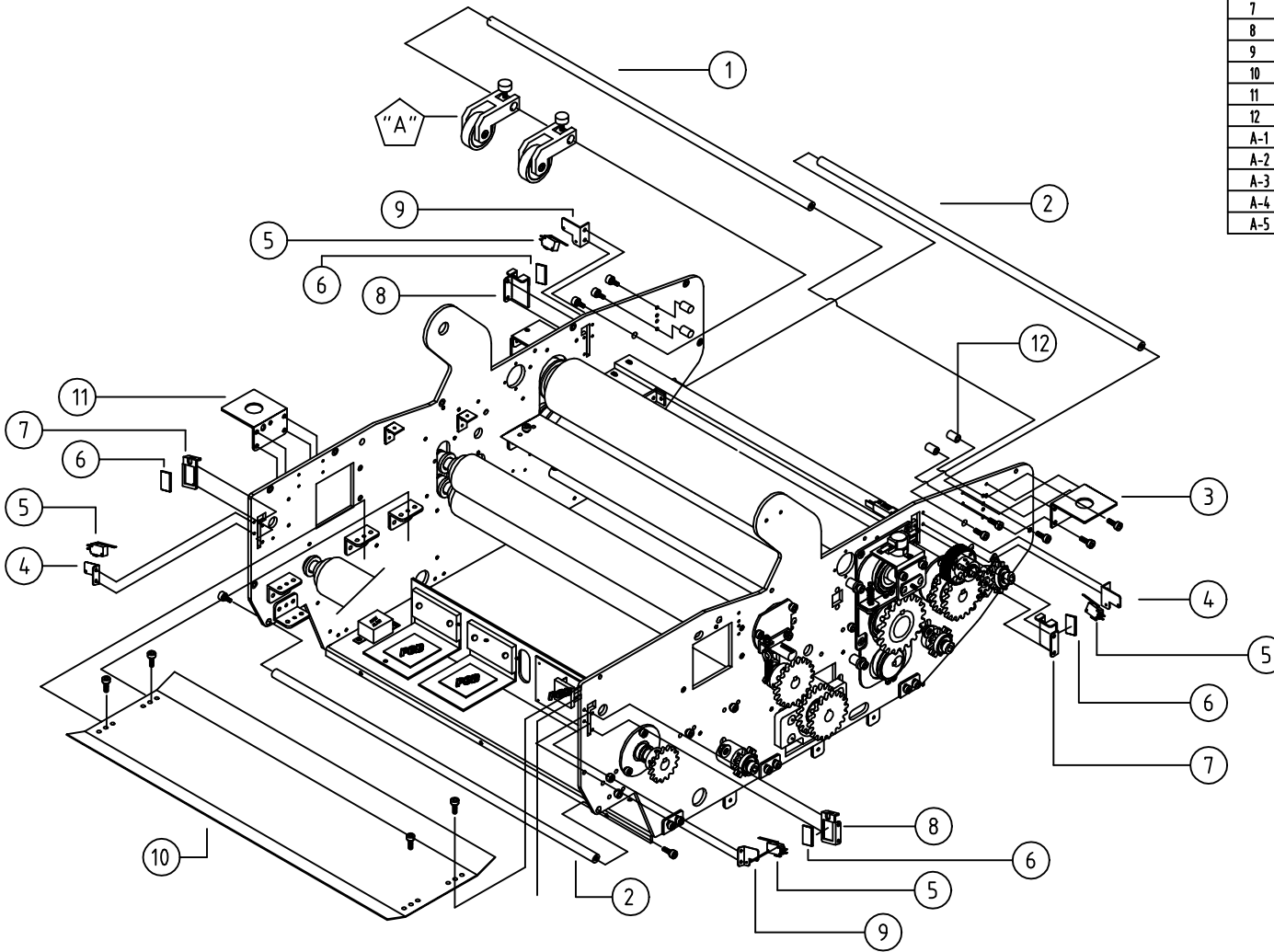
MERCURY ASSEMBLY - 4



Item No.	Part No.	Part name	Spec	Quantity
1	630100516	PAPER GUIDE PLATE - 1	SPC 15T 55.8x684/P301	1EA
2	704090810	PHOTO SENSOR	PS-R11L	1EA
3	703020353	PLASTIC KNOB BOLT	CK5 M5x10	2EA
4	601410634	PAPER GUIDE PLATE - 2	SPC 15T 512x684	1EA
5	630100607	IDLE SPROCKET PLATE	SPC 5T 18x62 / P650	1EA
6	632501686	IDLE SPROCKET PIN	S45C F17x12x21/H250	1EA
7	701080559	STEEL CHAIN GEAR (RS35H)	12TxF13	1EA
8	701010108	BALL BEARING	#6901	1EA
9	701080460	STEEL CHAIN+CHAIN GEAR (RS35H)	19T+20TxF15xKEY	1EA
10	613020524	KEY	S45C 5x5x20	6EA
11	701080561	STEEL CHAIN GEAR(RS35H)	25TxF40xKEY	1EA
12	701080459	STEEL CHAIN+CHAIN GEAR (RS35H)	20T+21TxF15xKEY	1EA
13	701080562	STEEL CHAIN GEAR(RS35H)	19TxF15xKEY	1EA
14	701080565	STEEL CHAIN GEAR(RS35H)	13TxF15xKEY	1EA
15	601410635	PAPER GUIDE PLATE - 3	SPC 15T 75x683	1EA
16	705030503	BRIDGE DIODE	PBT2506	1EA
17	630100605	PCB SUPPORT	SPC 3.0Tx520x100x35/P541	2EA
18	610011706	TRANSFORMER GM9661S	230V/36V-6.0A	1EA
19	638900289**	PCB ASS'Y MERCURY POWER SUPPLY	MERCURY PS REV 4.0	1EA
20	638900294	PCB ASS'Y JARUAR CUTTER MOTOR	JA700HB REV4.0	1EA
21	706011193	PCB ASS'Y GRAPHIC MASTER MOTOR	GM-MOT REV1.1	1EA
22	705031302	FERRITE EMI FILTER	ES1-F15/15A	1EA
23	613020631	PRESS GUIDE	S45C F14x8.5	8EA
24	701070251	ROLLER CHAIN	RS35H(20.SPCS)	1EA
25	701070249	ROLLER CHAIN	RS35H(37PCS)	1EA
26	701070205	ROLLER CHAIN	RS35H(44PCS)	1EA
A-1	632501685	IDLE PIN SUPPORT	S45C F47xF17.1x21/H510	1EA
A-2	701080560	STEEL CHAIN GEAR (RS35H)	9TxF15	1EA
A-3	632501684	IDLE PIN	S45C F15x80 / H431	1EA
A-4	701080653	STEEL SPUR GEAR	24TxF15	1EA
A-5	701050243	DU BUSHING FRANGE	15x10	2EA
A-6	630100611	GEAR COVER	SPC 15T x35x50x63/P980	1EA
B-1	613020645	IDLE SPROCKET SHAFT-1	S45C F30xF15x45.3	1EA
C-1	613020646	IDLE SPROCKET SHAFT-2	S45C F30xF15x25.5	1EA

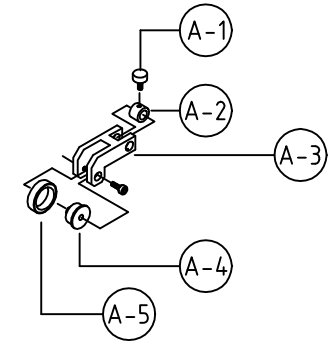


MERCURY ASSEMBLY - 5

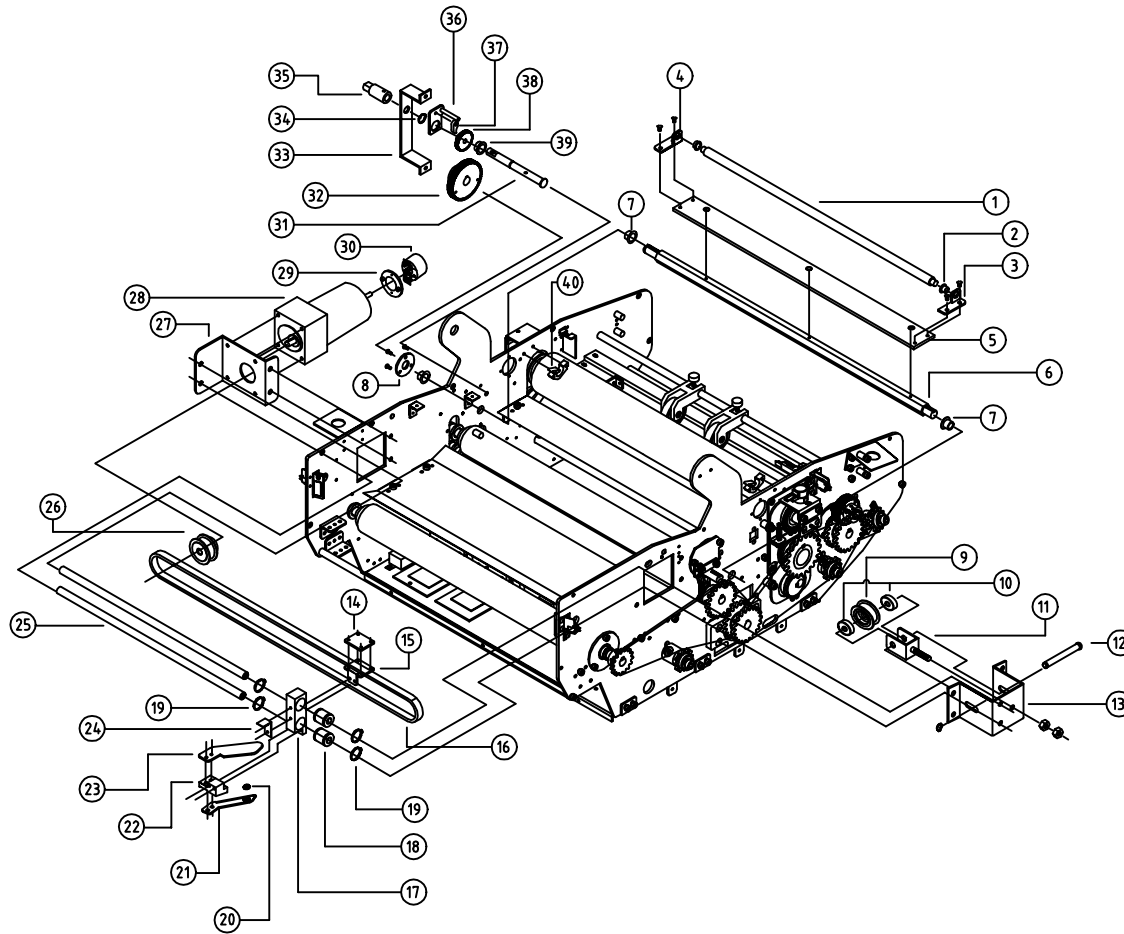


Item No.	Part No.	Part name	Spec	Quantity
1	613020619	FEEDING IDLE SHAFT	S45C F12x685	1EA
2	613020615	TABLE HANGER SHAFT	S45C F15x685	2EA
3	601410666	EMERGENCY SWITCH PLATE	SPC2.3T 60x38.5x60(EP-200)	1EA
4	601230555	LIMITS SWITCH BRACKET (L)	SPC1.5Tx32.3x30x14	2EA
5	704090411	MOTOR SWITCH (EAGLE)	250V/15A (VP-531A-3H)Z	4EA
6	604620101	MATAL MAGNET	3.0T x 20 x 30(3000GAUS)	4EA
7	630100608	MAGNETIC BRACKET (L)	SPC2.0T 28x48x12.5/P660	2EA
8	630100609	MAGNETIC BRACKET (R)	SPC2.0T 28x48x12.5/P660	2EA
9	601230556	LIMITS SWITCH BRACKET (R)	SPC1.5T x 32.3 x 30 x 14	2EA
10	601410610	CUTTING PLATE	SPC 1T 201x583	1EA
11	601410663	EMERGENCY SWITCH PLATE	SPC 2.3T 60x38.5x60 (EX8816)	1EA
12	613030541	GBC4265 SUPPORT PIN	SM45C F10x20	4EA
A-1	703020354	PLASTIC KNOB BOLT	CKS M5x15	2EA
A-2	613020620	IDLE BEARING STOPPER	S45C F19x13.8	2EA
A-3	613020623	ROLLER BODY	AL 30.5x20x73.5	2EA
A-4	613020622	ROLLER BODY BUSH	S45C F23x15	2EA
A-5	701010135	BALL BEARING	#6004ZZ	2EA

"A" IDLE ROLLER

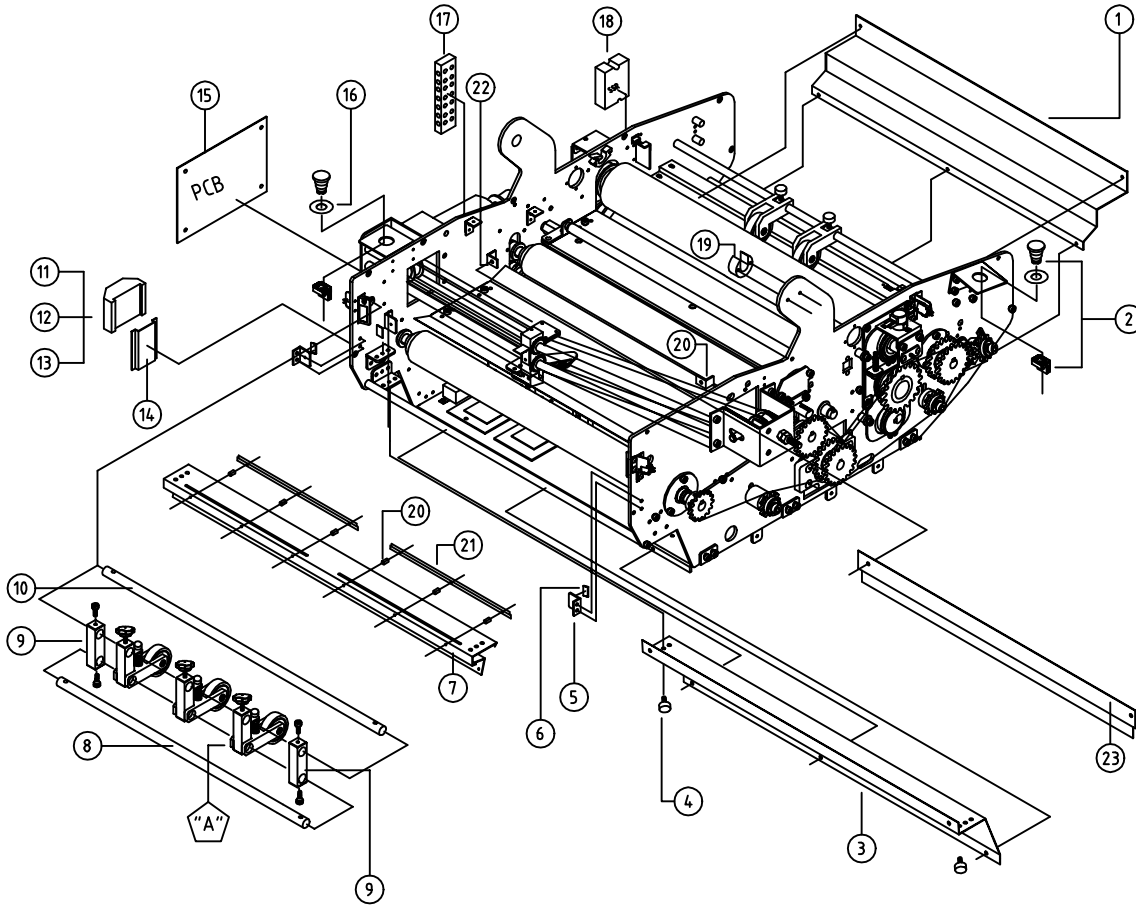


MERCURY ASSEMBLY - 6

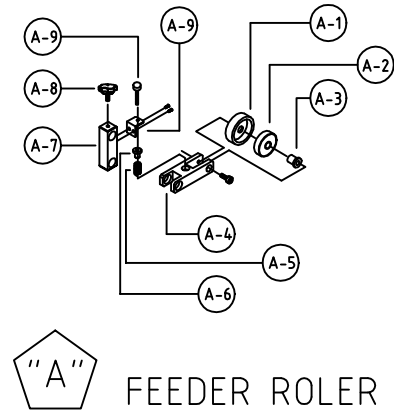


Item No.	Part No.	Part name	Spec	Quantity
1	613020621	DECURLING IDLE SHAFT	S45C F15x652	1EA
2	701050232	DU BUSHING FRANGE	10x6	2EA
3	601410645	DECURLING BAR SUPPORT (L)	SPC 3T 50x18x23	1EA
4	601410646	DECURLING BAR SUPPORT (R)	SPC 3T 50x18x23	1EA
5	613020618	DECURLING SHAFT PLATE	S45C ST 50x675	1EA
6	613020617	DECURLING SHAFT	S45C HEX19x735.5	1EA
7	701050243	DU BUSHING FRANGE	15x10	2EA
8	601410628	BEARING COVER - 3	SPC3T F40xF15.3	1EA
9	703070361	IDLE BELT PULLEY FOR CUTTER	XL 050x25TxF10	1E
10	701010115	BALL BEARING	#6000	2EA
11	601410654	PULLEY HOLDER PLATE	SPC3T 30x30x87	1EA
12	613020613	PULLEY PIN	S45C F15xF9.9x84	1EA
13	601410624	CUTTER PULLEY BRACKET	SPC 3T 83.4x70x76	1EA
14	601410651	TIMING BELT SUPPORT PLATE (UP)	SPC 2.3T 40x325	1EA
15	601410650	TIMING BELT SUPPORT PLATE (LOW)	SPC 3T 40x335x24	1EA
16	703070364	TIMING BELT	P5.08x1670Wx12.7(URETHAN)	1EA
17	613020606	CUTTER HOUSING	AL 20x27x83	1EA
18	701010126	UNIT BEARING	LM130U	2EA
19	701090714	SPRING S RING	22	4EA
20	810600029	MIRROR STICKEER	0.5T 27.5x16.1x22.3	1EA
21	632501537	BLADE	SKH 1.5T 89.4x38.8	1EA
22	632501538	SUTTER HOUSING CONNECTOR	AL 27x27x40/H351	1EA
23	630100519	CUTTER SAFETY PC	PC 3T 89.8x52.3	1EA
24	601410609	SENSOR DETECTOR PLATE	SPC 1T 20x21x40	1EA
25	613020614	CUTTER SHAFT	SUJ2 F13x876	2EA
26	703070362	MOTOR BELT PULLEY FOR CUTTOR	XL 050x25TxF26	1EA
27	601410623	MOTOR BRACKET	SPC 3T 90x102.8x66.1	1EA
28	609060115	DC GEARED MOTOR	DC30W 36V 2000RPM (SR030-36CH/61)	1EA
29	601410029	ENCORDER FIX PLATE	SPC 3T F60x8	1EA
30	704200611	ROTARY ENCODER	E40H8-100-3-2 (100RPM)	1EA
31	613020633	DECURLING SPRING SHAFT	S45C F16xF12x132	1EA
32	701080652	STEEL SPUR GEAR	#8TxF15	1EA
33	601410665	DECURLING GUIDIE PLATE	SPC 33T 164x48.4	1EA
34	701090731	SPRING S RING	F17	1EA
35	613020641	ADAPTOR	S45C F20x50	1EA
36	601410655	GEAR PLATE	SPC 3T 33x46.4x40 BOSS	1EA
37	601410224	JAGUAR DECURLING SUB ROTCH STOPPER	SPC 6T 23.3x10.3	1EA
38	701080651	SPUR GEAR	Z77xF12	1EA
39	701050293	DU BUSHING FRANGE	12x6	1EA
40	601250173	EX-II ROLLER COVER BLOCK	AL 101x25x31.95	2EA

MERCURY ASSEMBLY - 7

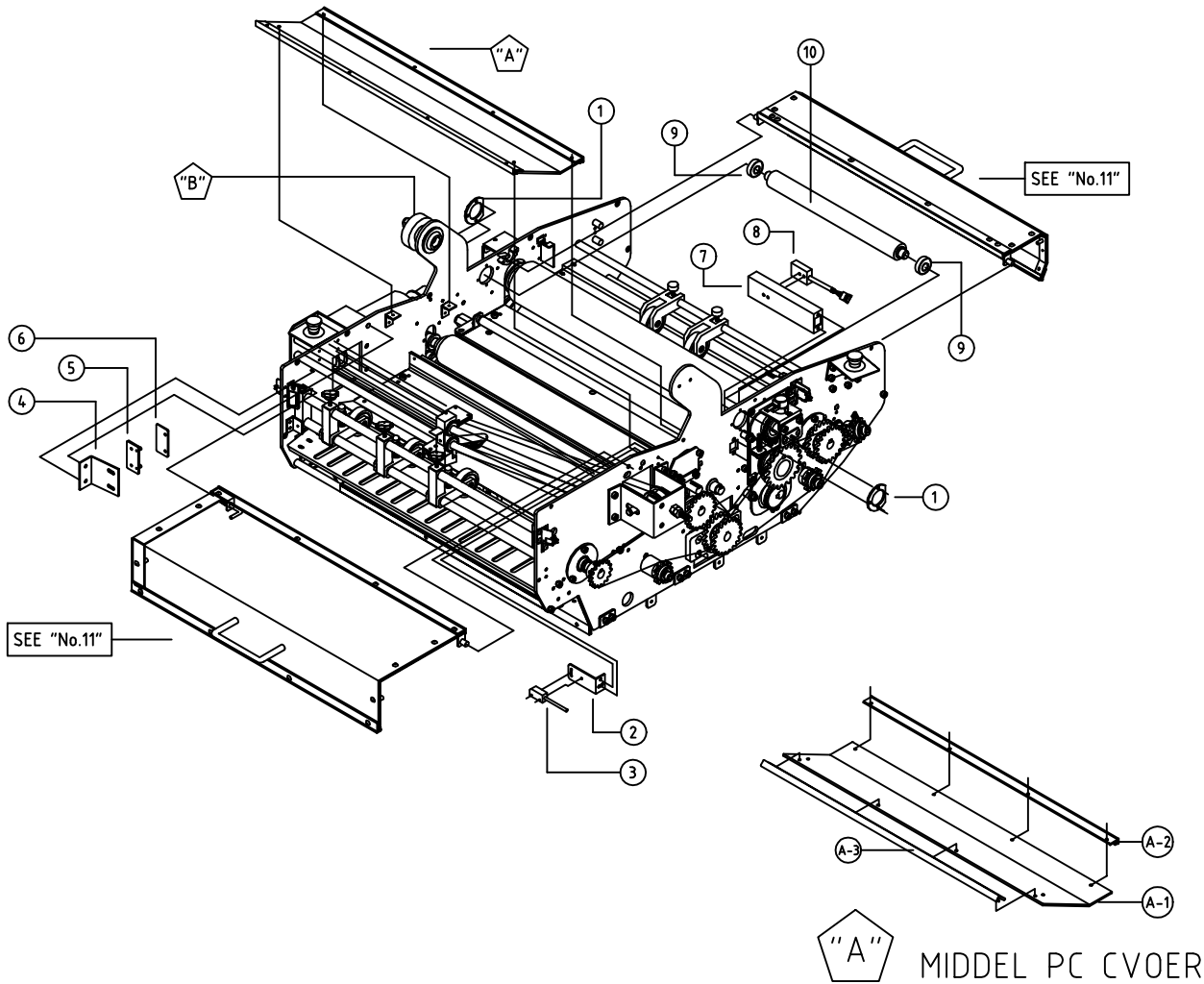


Item No.	Part No.	Part name	Spec	Quantity
1	601410644	FRONT COVER (LOW)	SPC 1T 683	1EA
2	704090253	EMERGENCY SWITCH	AR22V22R-02RIZB2-BS544)400V	2EA
3	630100606	REAR COVER (LOW)	SPC 1.0T 683x88.3x49.2	1EA
4	633300133	PLASTIC KNOB BOLT	C/KS M5x10	2EA
5	601410671	STOPPER	SPC 2.3+1T 26x22.5x13.5	4EA
6	604620102	MATAL MAGNET	3.0T x20x15 (2000GAUS)	4EA
7	630100616	REAR PLATE	SPC 1.5T 684x68.6x54.2/P072	1EA
8	613020625	IDLE ROLLER SHAFT (LOW)	S45C F15x683	1EA
9	613020626	IDLE ROLLER SUPPORT STOPPER	S45C 20x18x76	2EA
10	613020624	IDLE ROLLER SHAFT (UP)	S45C F15x696	1EA
11	704051031	TERMINAL BLOCK UKSN	T/B	4EA
12	704051032	TERMINAL BLOCK END COVER	D-UK 4/10	3EA
13	704051033	TERMINAL BLOCK STOPPER	E/UK	2EA
14	704051036	TERMINAL BLOCK BRIDGE BAR	FB- 10-6	1EA
15	706011721	ACB ASSY MAIN	MERCURY M	1EA
16	803040343	EMERGENCY STICKER (SURELAM)	PC0.4T F54xF28	2EA
17	704050395	PCB TERMINAL BLOCK	AZ 14	1EA
18	705090302	SOLID STATE RELAY	GLS25	1EA
19	703070113	U STOPPER	SB F36x15.5	1EA
20	632501695	ANTISTATIC BRUSH BOSS	S45C F6x9/H530	6EA
21	704200405	ANTISTATIC BRUSH (SONIC)	AL10T 15x15x34.9 (SUB FIBER)	2EA
22	601211157	SURE BACK COVER SUPPORT	FE2.0T x17x4.3	2EA
23	601410675	ANTISTATIC BRUSH (MERCURY)	AL5x33x28x680 (FRECH FIBER)	1EA
A-1	601410328	FEEDER ROLLER SILICON	S45C F46.5x14	3EA
A-2	701010115	BALL BEARING	#6000	3EA
A-3	613020456	FEEDER ROLLER BEARING PIN-2	SAC F12x16	3EA
A-4	613020643	FEEDER ROLLER BEARING BLOCK	AL 30x78x20	3EA
A-5	701090148	PRESSED COIL SPRING	1.0T F9x30	3EA
A-6	632501528	TENSION BUSH	S45C F15x48x20	3EA
A-7	601410329	J FEED ROLLER BEARING BLOCK HOLDER	AL 20x73x18	3EA
A-8	703070251	D/FEEDER KNOB BOLT	M6x20	3EA
A-9	613020493	JAGUAR BUSH BOLT	FE F12x35xM4	3EA
A-10	601410667	BEARING HOUSING BLOCK PLATE	SPC 3T 20x19x18	3EA

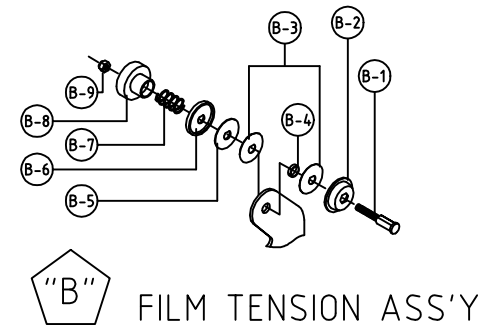


"A" FEEDER ROLLER

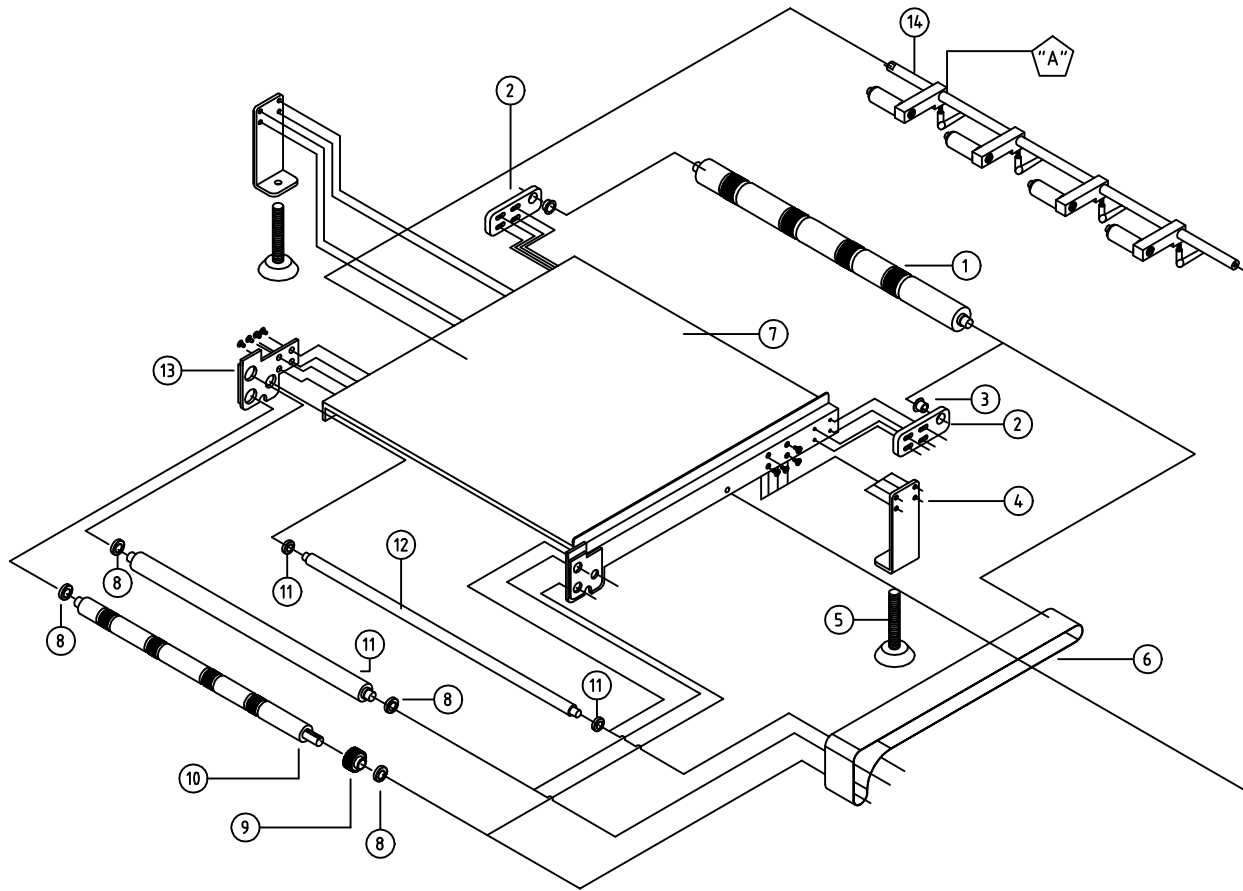
MERCURY ASSEMBLY - 8



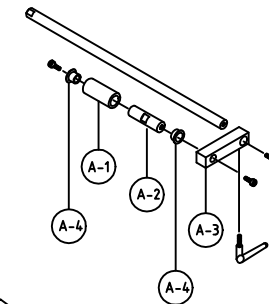
Item No.	Part No.	Part name	Spec	Quantity
1	601410629	BEARING COVER - 4	SPC 3T F48xF30	2EA
2	630100515	BLADE SENSOR BRACKET	SPC 2T 69x30x19 / A171	1EA
3	637400154	PHOTO SENSOR	PZM61	1EA
4	601410658	INT SENSOR SUPPOR BRACKET	SPC 2T 28.5x60x55	1EA
5	601410622	INT SENSOR BRACKET	SPC 3T 27x55	1EA
6	706011163	PCB ASS'Y 1620PQ INTERRUPTER	4PK-CR1620P1	1EA
7	601410636	TEMP SENSOR BAR	SPC 2.3T 20x40x155	1EA
8	705200201	INFRARED SENSOR ASS'Y	TPML-710	1EA
9	701010116	BALL BEARING	#6002ZZ	2EA
10	613020602	FILM IDLE ROLLER	S45C F30x704	1EA
A-1	630100604	MIDDLE PC COVER	PC 3.0Tx681/P452	1EA
A-2	604036340	PC COVER SUPPORT MID (LOW)	AL6063 681x21	1EA
A-3	633600605	PC COVER SUPPORT (UP)	AL6063 681x21	1EA
B-1	613030567	FILM SHAFT TENSION BOLT	F19x62xF15	1EA
B-2	601230711	SURELAM OUTER TENSION DISK	FE 3.0x62x28x19	1EA
B-3	703070114	F15 CLUTCH SKIN PAD	SKIN 2.0TxF55	2EA
B-4	701050183	DU BUSHING TUBE	15x04	1EA
B-5	703070112	HR2 INSIDE TENSION DISK	3.0TxF56	1EA
B-6	601211161	TENSION WHEEL CAP	FE2.0TxF62xF15	1EA
B-7	701090141	FILM PIPE SPRING	3.5TxF26x24mm	1EA
B-8	613030565	SURE FILM TENSION HANDLE	F60x35xF32	1EA
B-9	70110147	STOPPER NUT	M10	1EA



MERCURY ASSEMBLY - 10



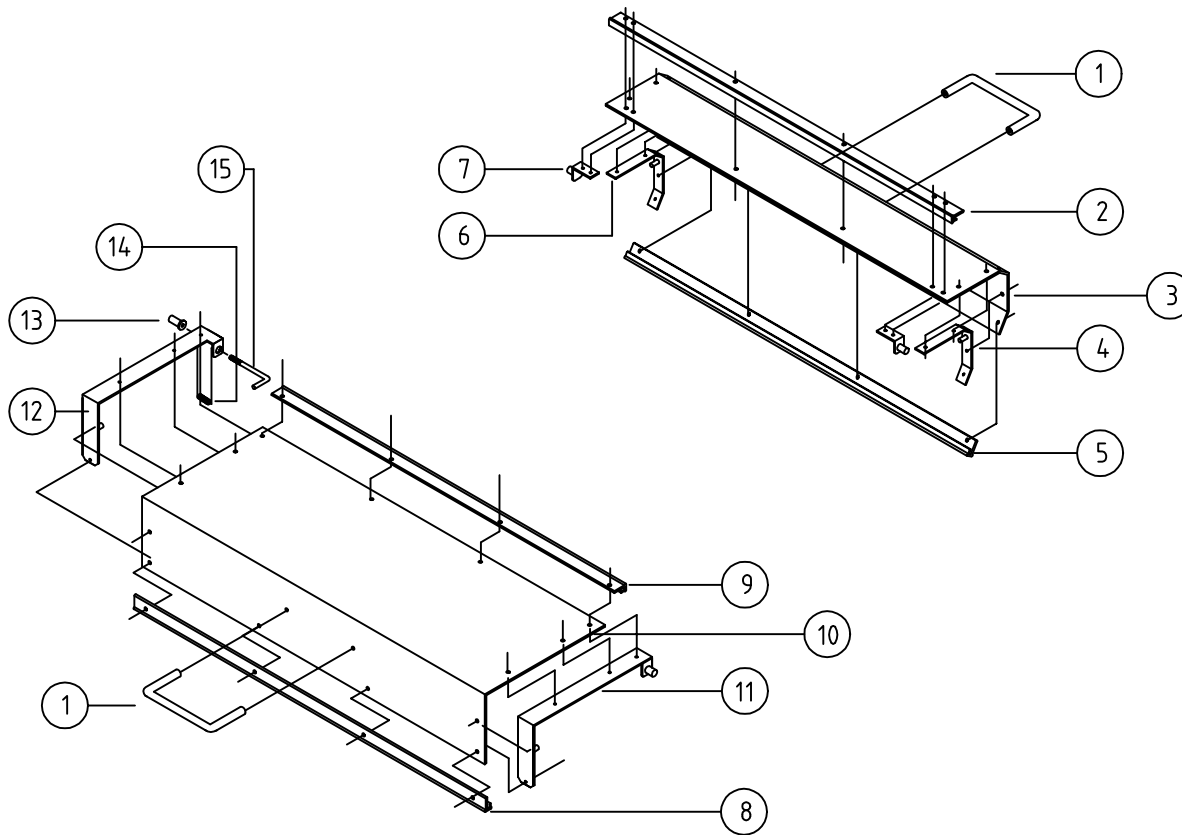
Item No.	Part No.	Part name	Spec	Quantity
1	613020638	TABLE SHAFT	S45C F30x681	1EA
2	601410669	TABLE TENSION BLOCK	SPC 10T 109x40	2EA
3	701050243	DU BUSHING FRANGE	15x10	2EA
4	601410608	STAND SUPPORT PLATE	SPC 6T 43x146	2EA
5	703070206	LEVELLING FOOT	F65xM12x100	2EA
6	703070363	CONVEYOR BELT	SG250 0.8T 50x1226 / S022	4EA
7	630100513	TABLE DIE SET	SPC 5T 577x566 / P042	1EA
8	701010105	BALL BEARING	#6802	4EA
9	701080654	STEEL SPUR GEAR	16TxF15	1EA
10	613020604	TABLE SHAFT (LOW)	S45C F28x673	1EA
11	613020603	TABLE SHAFT (UP)	S45C F30x673	1EA
12	613020644	TABLE IDLE ROLLER	S45C F15x673	1EA
13	601410630	TABLE SHAFT SUPPORT PLATE	SPC 5T+5T 88.25x110	1EA
14	632501539	TENSION GUIDE SHAFT	S45C F15x651 / H541	1EA
A-1	632501454	TENSION IDLE ROLLER	S45C F25xF17.1x55	4EA
A-2	632501540	TENSION IDLE SHAFT	S45C F15x57.5 / H471	4EA
A-3	632501541	IDLE ROLLER SUPPORT	S45C F86x22x20 / H461	4EA
A-4	701050276	DU BUSHING FRANGE	40x20	8EA



TENSION IDLE ROLLER

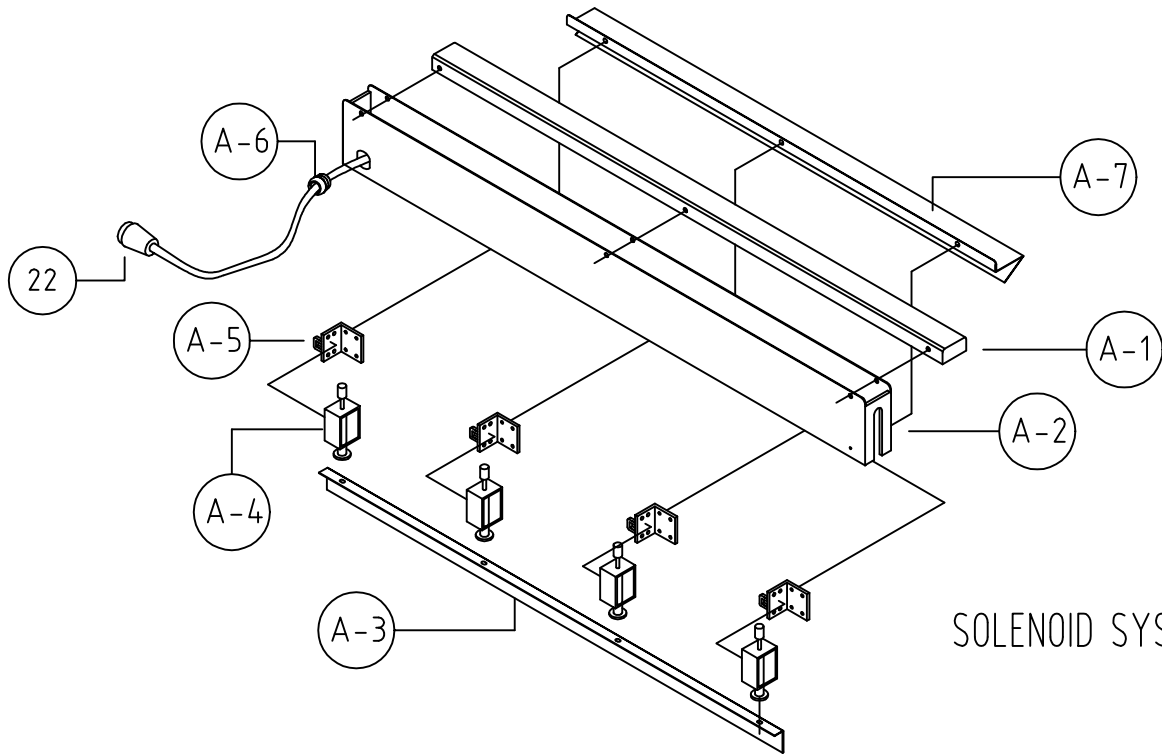
MERCURY ASSEMBLY - 11

Item No.	Part No.	Part name	Spec	Quantity
1	703070365	U-HANDELS	AL 110x30 (UN110)	2EA
2	604036338	PC COVER SUPPORT FRONT (UP)	AL 6063 681x21	1EA
3	601410648	FRONT PC COVER	SPC 1.0T 683x88.3x49.2	1EA
4	703020353	FRONT PC COVER GUIDE SUPPORT	SPC 2T 69.2x92.2x15	1EA
5	604036339	PC COVER SUPPORT FRONT (LOW)	AL 6063 681x21	1EA
6	601410674	FRONT COVER SUPPORT	SPC 2T 69.2x92.2x15	1EA
7	601410652	FRONT COVER SUPPORT PLATE (UP)	SPC 3T 15x27.5x31	2EA
8	604036337	PC COVER SUPPORT REAR (LOW)	AL 6063 681x21	1EA
9	604036336	PC COVER SUPPORT REAR (UP)	AL 6063 681x21	1EA
10	601410647	REAR PC COVER	PC3T 103x205x681	1EA
11	601410638	REAR PC SUPPORT PLATE (R)	SPC 2T 92.2x26x202	1EA
12	601410637	REAR PC SUPPORT PLATE (L)	SPC 2T 92.2x26x202	1EA
13	601410352	PC COVER HINGE	S45C F12x20	1EA
14	701090167	PRESSED COIL SPRING	1.2T x 35mm	1EA
15	613020406	PC COVER PIN	S45C F5x52x20	1EA



MERCURY ASSEMBLY - 12

Item No.	Part No.	Part name	Spec	Quantity
A-1	630100398	SOLENOID GUIDE COVER	SPC 3T×6T 31×16×684	1EA
A-2	630100621	SOLENOID GUIDE HOUSING	SPC1T×3T 682×78×34(MC50P062)	1EA
A-3	630100620	SUTTER	SUS 0.3TN 25×595	1EA
A-4	634100115	SOLENOID (MERCURY)	DC 12V / 0.25A	4EA
A-5	630100423	SOLENOID SUPPORT PLATE	SPC 3T 26×30×39	4EA
A-6	636400021	CORD STOPPER	7NR-32	1EA
A-7	630100622	SOLENOID GUIDE		1EA
A-8	636800062	SOCKET TYPE CONNECTOR		1EA



SOLENOID SYSTEM



General Binding Corporation
One GBC Plaza
Northbrook, IL 60062-4195
