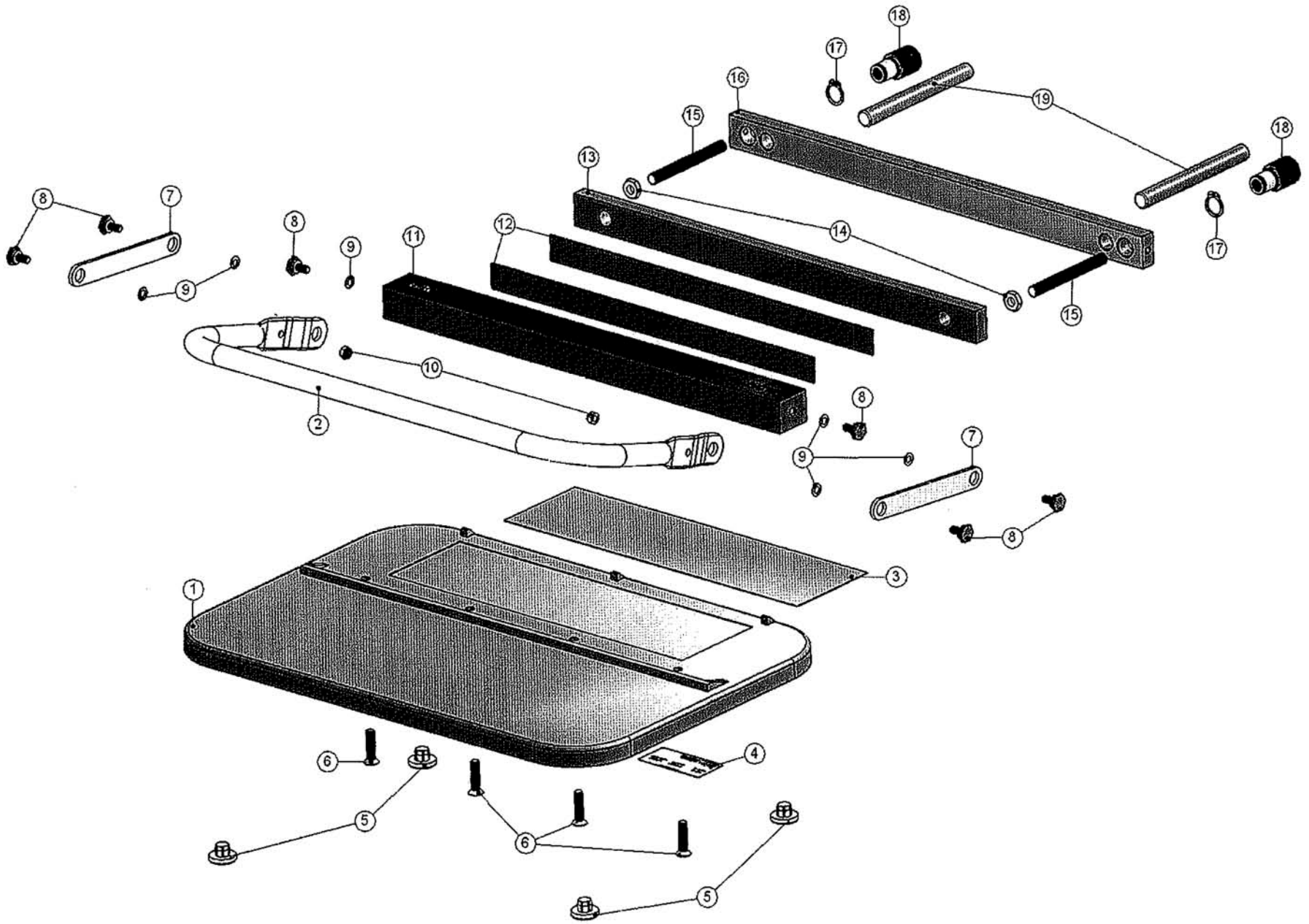




MC-12 Parts List



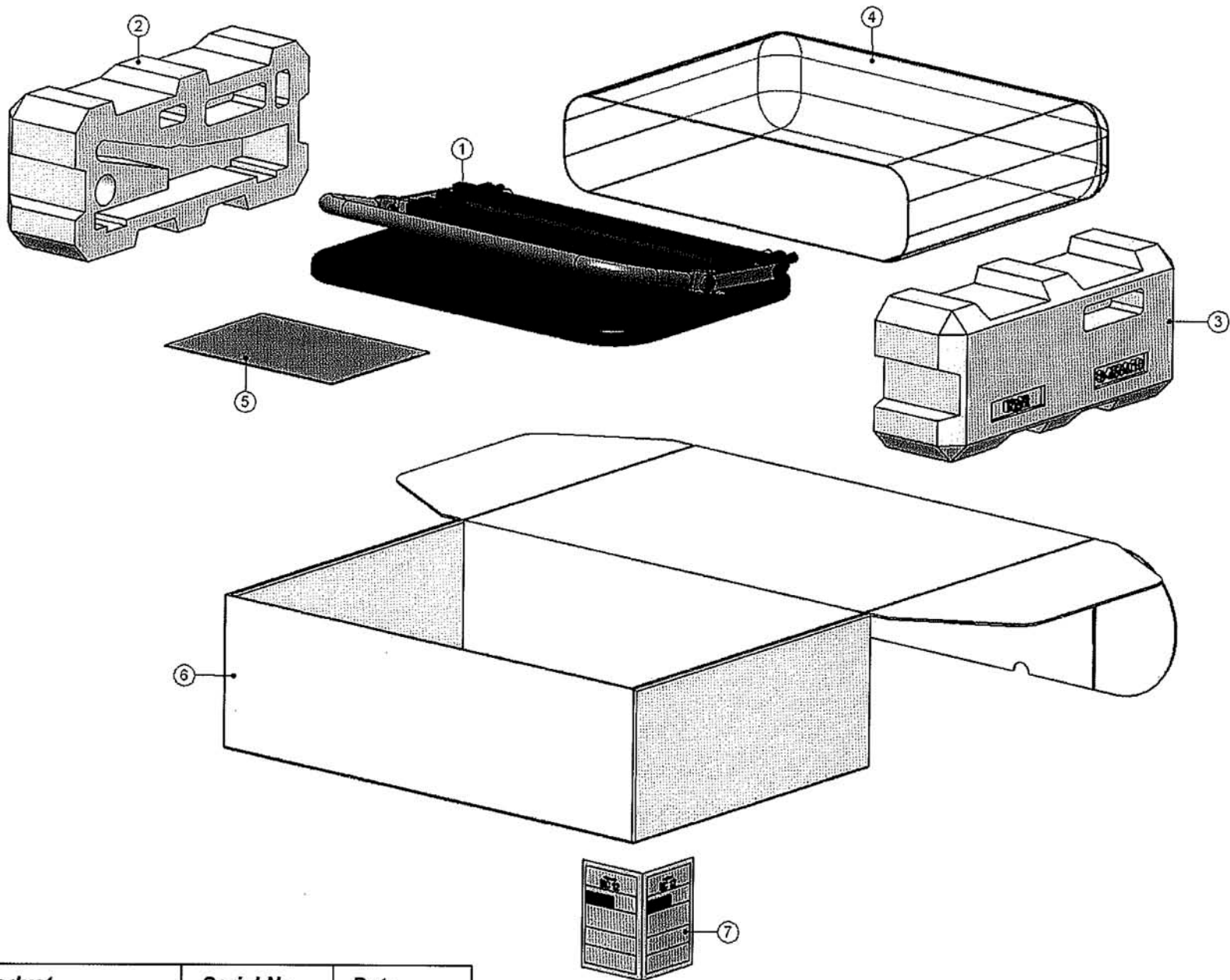
GBC IS AN ACCO BRANDS COMPANY



Page/of	Product	Serial No.	Date
4 / 7	MC-12	QEP0001-	May 2004

Pos.	Part No.	GBC Part No.	Description
1	2-4500.49	1723125	Base MC-12
2	2-4501	1723126	Handle MC-12
3	2-4509	1723127	MC-12 scale
4	2-4510	1723128	Type label MC-12
5	2-4507	1723129	Feet
6	9-9035	1723130	Countersunk torx he. screw BN 4851 (M6x25)
7	2-4505	1723131	Link
8	2-2010	1723132	Bearing screw
9	9-9328	1723133	Tension disc, light BN 803 (M5)
10	9-9219	1723134	Hexagon thin nut DIN 985 (0,8 D M5)
11	2-4502.70	1723135	Stationary block, painted
12	2-4512	1723136	Felt strip
13	2-4503.49	1723137	Ram, drilled
14	9-9201	1723138	Hexagon th nut DIN 439 B (0,5 D M8)
15	2-4511	1723139	Tapped pin
16	2-4504.49	1723140	Actuator bar, painted
17	9-9504	1723141	Retaining ring DIN 471 (A14)
18	2-4506	1723142	Adjusting knob
19	2-4508	1723143	Dowel pin

Product MC-12	Serial No. QEP0001-	Date May 2004	Page / of 5 / 7
------------------	------------------------	------------------	--------------------



<i>Page/of</i>	<i>Product</i>	<i>Serial No.</i>	<i>Date</i>
6 / 7	MC-12	QEP0001-	May 2004

<i>Pos.</i>	<i>Part No.</i>	<i>Notes</i>	<i>Description</i>
1	1770600	---	MC-12
2	8-4504	---	Foam end cap (left)
3	8-4504	---	Foam end cap (right)
4	8-8034	---	Dust bag
5	8-4501	---	Instruction manual
6	8-4500	---	White boxe MC-12
7	8-4502	---	UPC code MC-12

Product MC-12	Serial No. QEP0001-	Date May 2004	Page / of 7 / 7
------------------	------------------------	------------------	--------------------

FIGURE 1

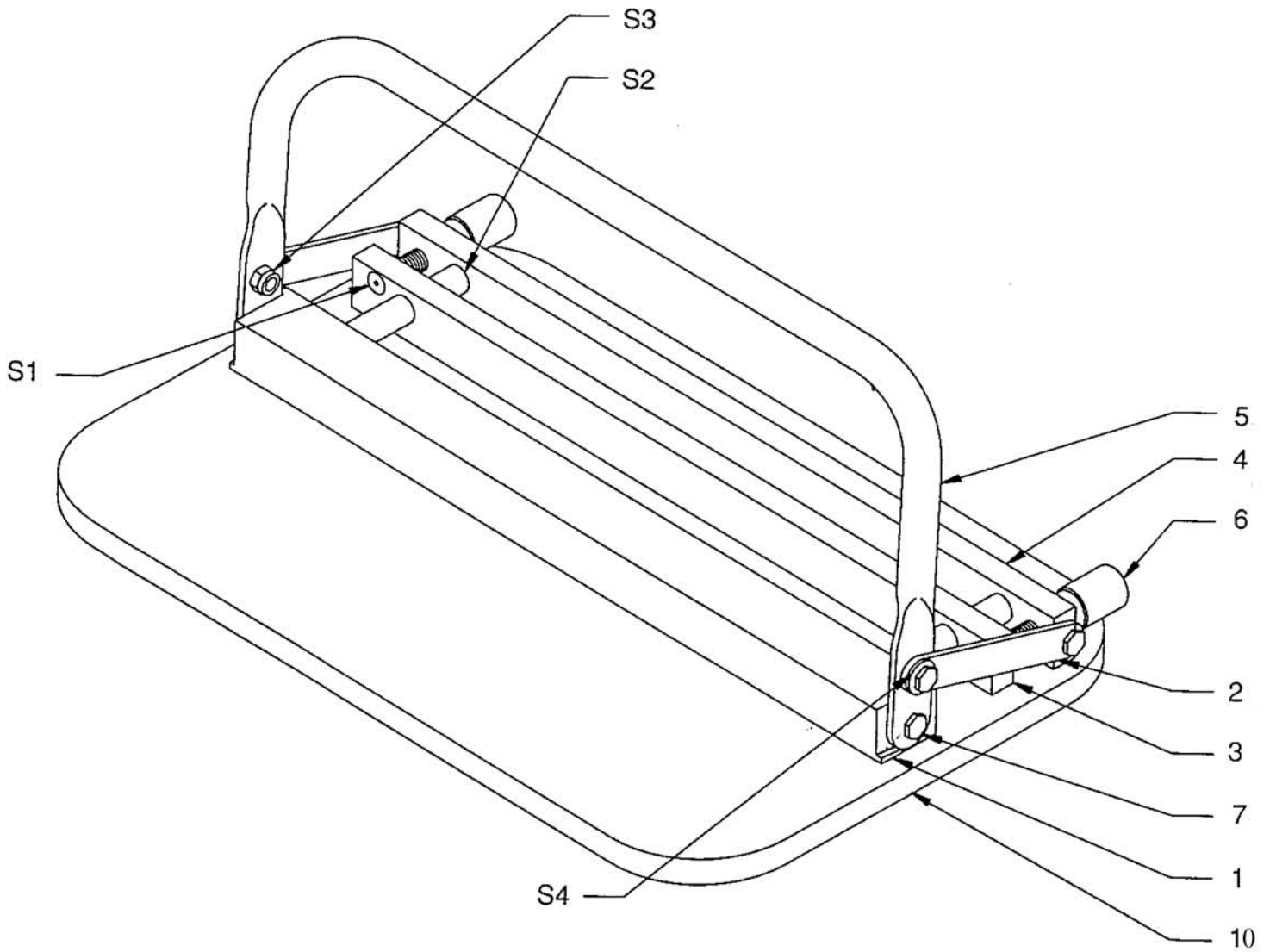


FIGURE 1 PARTS LIST

ITEM NO.	PART NO.	DESCRIPTION	QUANTITY REQUIRED
1	1450001	BLOCK, STATIONARY	1
2	1450002	LINK	2
3	1450003	RAM	1
4	1450004	ACTUATOR BAR	1
5	1450005	HANDLE	1
6	1450006	KNOB - ADJUSTING	2
7	7704818	SHOULDER SCREW - HEX	6
8	4800128	LABEL - MANUAL CLOSER	1 (NOT SHOWN)
9	4800129	LABEL - LOGO	1 (NOT SHOWN)
10	4800780	BASE	1
11	7501800	FEET - SELF ADHESIVE	4 (NOT SHOWN)

STANDARD PARTS LIST

S1	7502300	SHOULDER SCREW - 1/4 DIA X 3/8	2
S2	7502679	DOWEL PIN - 1/2 DIA X 4"	2
S3	7503047	LOCK NUT - ESNA 1/4-20	2
S4	7504123	WASHER - .622 OD X .317 ID X .06 THK	6
S5	7508645	FHCS - 1/4-20 X 3/4	4 (NOT SHOWN)

GBC MC12 Parts List

SERVICE PARTS

ITEM	GBC P/N	DESCRIPTION	QTY.
1	7300633	BLOCK, STATIONARY ASSEMBLY <i>see below for components</i>	1
2	7300603	LINK	2
3	7300632	RAM ASSEMBLY <i>see below for components</i>	1
5	7300606	BASE	1
6	7300607	LABEL - MANUAL CLOSER	1
7	7300608	HANDLE	1
9	6009029	LABEL - LOGO GBC	1
10	7704818	SHOULDER SCREW - HEX	6
14	1954506	FEET - SELF ADHESIVE	4
18	1925013	WASHER - .622 OD X .317 ID X .06 THK	6
19	1900612	FHCS - 1/4-20 X 3/4	4
20	1927410	LOCK NUT - ESNA 1/4-20	2

STEALTH GRAY (BLACK) COLOR SCHEME, SEE PART NUMBERS IN BACK OF BOOK (N.S.B.175A)

SUBASSEMBLY COMPONENTS

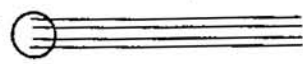
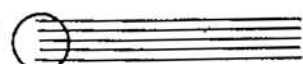
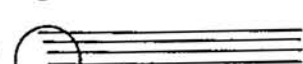
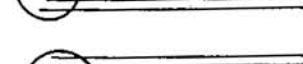
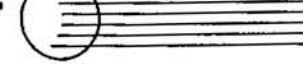
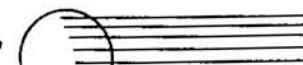
ITEM	GBC P/N	DESCRIPTION	QTY.
3	7300632	RAM ASSEMBLY <i>INCLUDES FOLLOWING PARTS</i>	1
R1	7300604	RAM	1
R2	7300605	ACTUATOR BAR	1
R3	7300609	KNOB - ADJUSTING	2
R4	1926311	CRVD SPRING WASHER	2
R5	1900806	SHOULDER SCREW - 1/4 DIA. X 3/8	2
R6	1960512	LOCTITE TL - 242	0.1

SUBASSEMBLY COMPONENTS






ITEM	GBC P/N	DESCRIPTION	QTY.
1	7300633	BLOCK, STATIONARY ASSEMBLY <i>INCLUDES FOLLOWING PARTS</i>	1
B1	7300602	BLOCK - STATIONARY	1
B2	1953902	DOWEL PIN 4 - 1/4 LG.	2

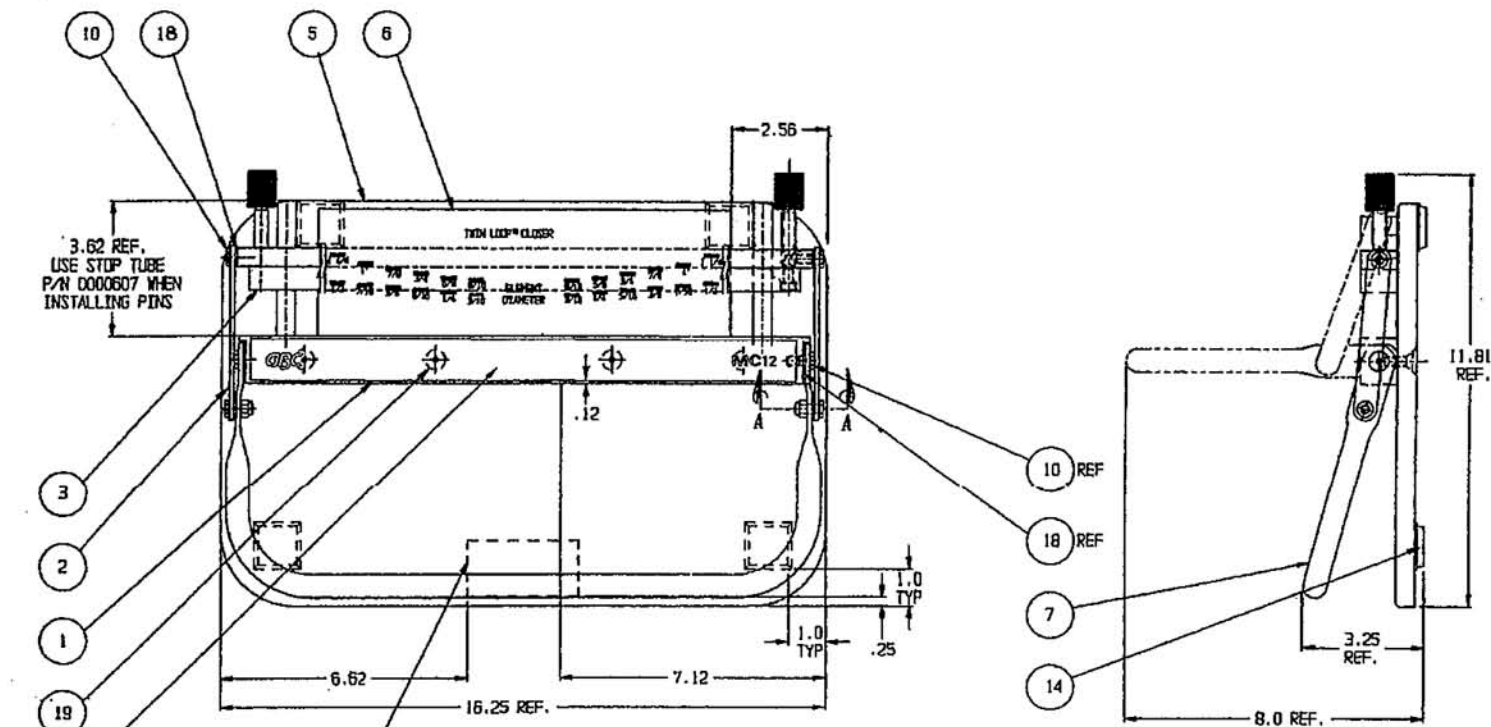
ELEMENT SIZE	BOOK THICKNESS
--------------	----------------

3 LOOPS PER INCH

1/4"		3/16" OR LESS
5/16"		1/4" OR LESS
3/8"		5/16" OR LESS
7/16"		3/8" OR LESS
1/2"		7/16" OR LESS
9/16"		1/2" OR LESS

2 LOOPS PER INCH

5/8"		9/16" OR LESS
3/4"		5/8" OR LESS
7/8"		3/4" OR LESS
1"		7/8" OR LESS
1-1/4"		1-1/8" OR LESS



PLACE SERIAL/ELECTRICAL LABEL ON FAR SIDE

SECTION A-A

ITEM	GBC P/N	PART DESCRIPTION	QTY.
20	1927410	LOCK NUT, ESNA 1/4 - 20 THREAD	2
19	1900612	FHCS, 1/4 - 20 x 3/4 LG.	4
18	1925013	WASHER, FLAT, .593 OD x .315 ID x .062 THK	6
16	1155000	MASTER LISTING NAMEPLATE - REFERENCE	1
15			
14	1954506	BUMPERS - SELF ADHSV, #95495K14 BLK, 1-1/4 SQ.	4
10	7704818	SHOULDER SCREW - HEX	6
9	7300627	LABEL MC - 12 LOGO	1
8			
7	7300608	HANDLE	1
6	7704814	BASE LABEL - MANUAL CLOSER	1
5	7300814	BASE - MANUAL CLOSER	1
4			
3	7300636	RAM ASS'Y	1
2	7300603	LINK	2
1	7300637	STATIONARY BLOCK ASS'Y	1
ITEM	GBC P/N	PART DESCRIPTION	QTY.