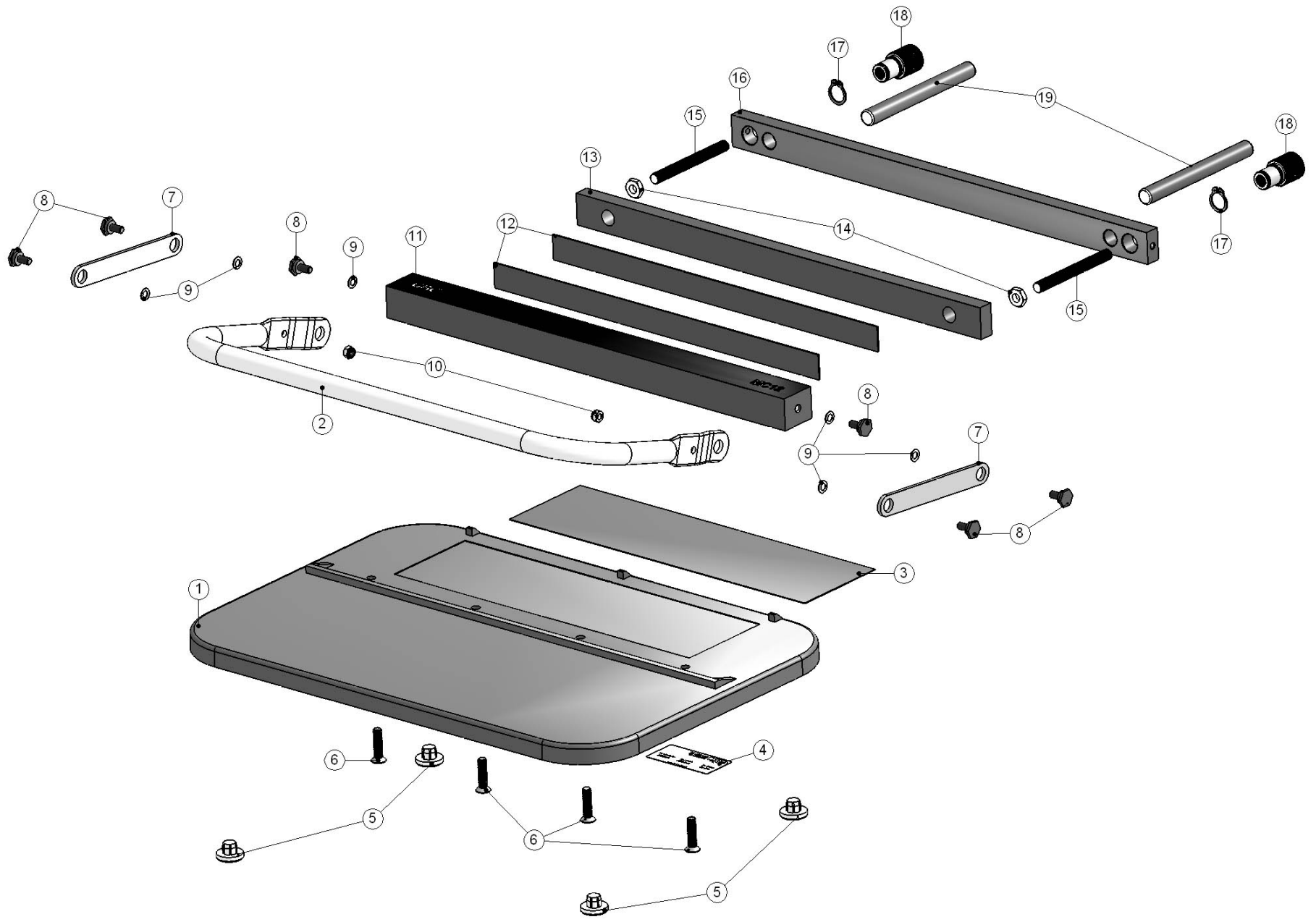




NEW MC-12 Parts List

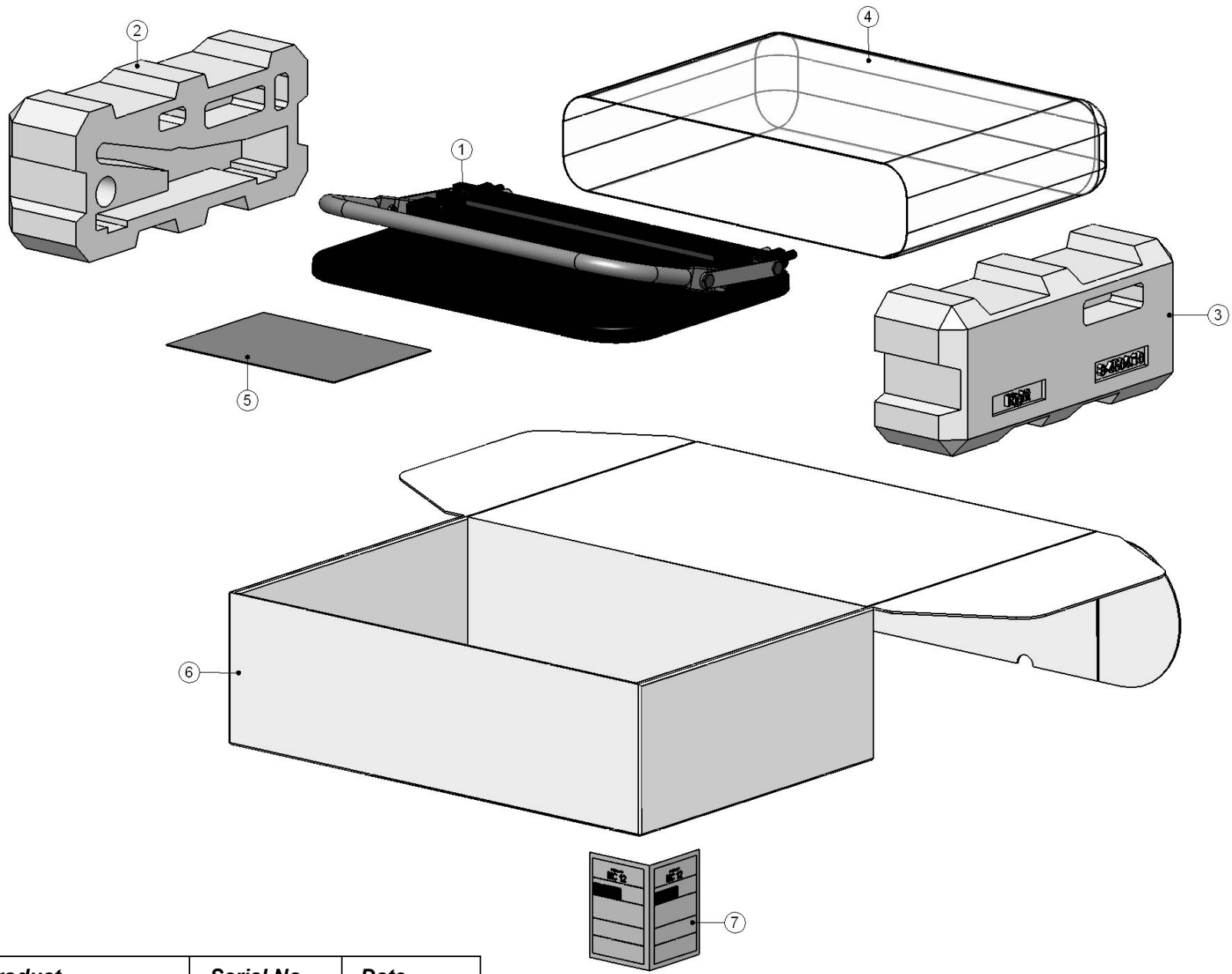


GBC IS AN ACCO BRANDS COMPANY



Page/of	Product	Serial No.	Date
4 / 7	MC-12	QEP0001-	May 2004

Pos.	Part No.	GBC Part No.	Description
1	2-4500.49	1723125	Base MC-12
2	2-4501	1723126	Handle MC-12
3	2-4509	1723127	MC-12 scale
4	2-4510	1723128	Type label MC-12
5	2-4507	1723129	Feet
6	9-9035	1723130	Countersunk torx he. screw BN 4851 (M6x25)
7	2-4505	1723131	Link
8	2-2010	1723132	Bearing screw
9	9-9328	1723133	Tension disc, light BN 803 (M5)
10	9-9219	1723134	Hexagon thin nut DIN 985 (0,8 D M5)
11	2-4502.70	1723135	Stationary block, painted
12	2-4512	1723136	Felt strip
13	2-4503.49	1723137	Ram, drilled
14	9-9201	1723138	Hexagon th nut DIN 439 B (0,5 D M8)
15	2-4511	1723139	Tapped pin
16	2-4504.49	1723140	Actuator bar, painted
17	9-9504	1723141	Retaining ring DIN 471 (A14)
18	2-4506	1723142	Adjusting knob
19	2-4508	1723143	Dowel pin



Page/of	Product	Serial No.	Date
6 / 7	MC-12	QEP0001-	May 2004

Pos.	Part No.	Notes	Description
1	1770600	----	MC-12
2	8-4504	----	Foam end cap (left)
3	8-4504	----	Foam end cap (right)
4	8-8034	----	Dust bag
5	8-4501	----	Instruction manual
6	8-4500	----	White boxe MC-12
7	8-4502	----	UPC code MC-12

Product MC-12	Serial No. QEP0001-	Date May 2004	Page / of 7 / 7
------------------	------------------------	------------------	--------------------