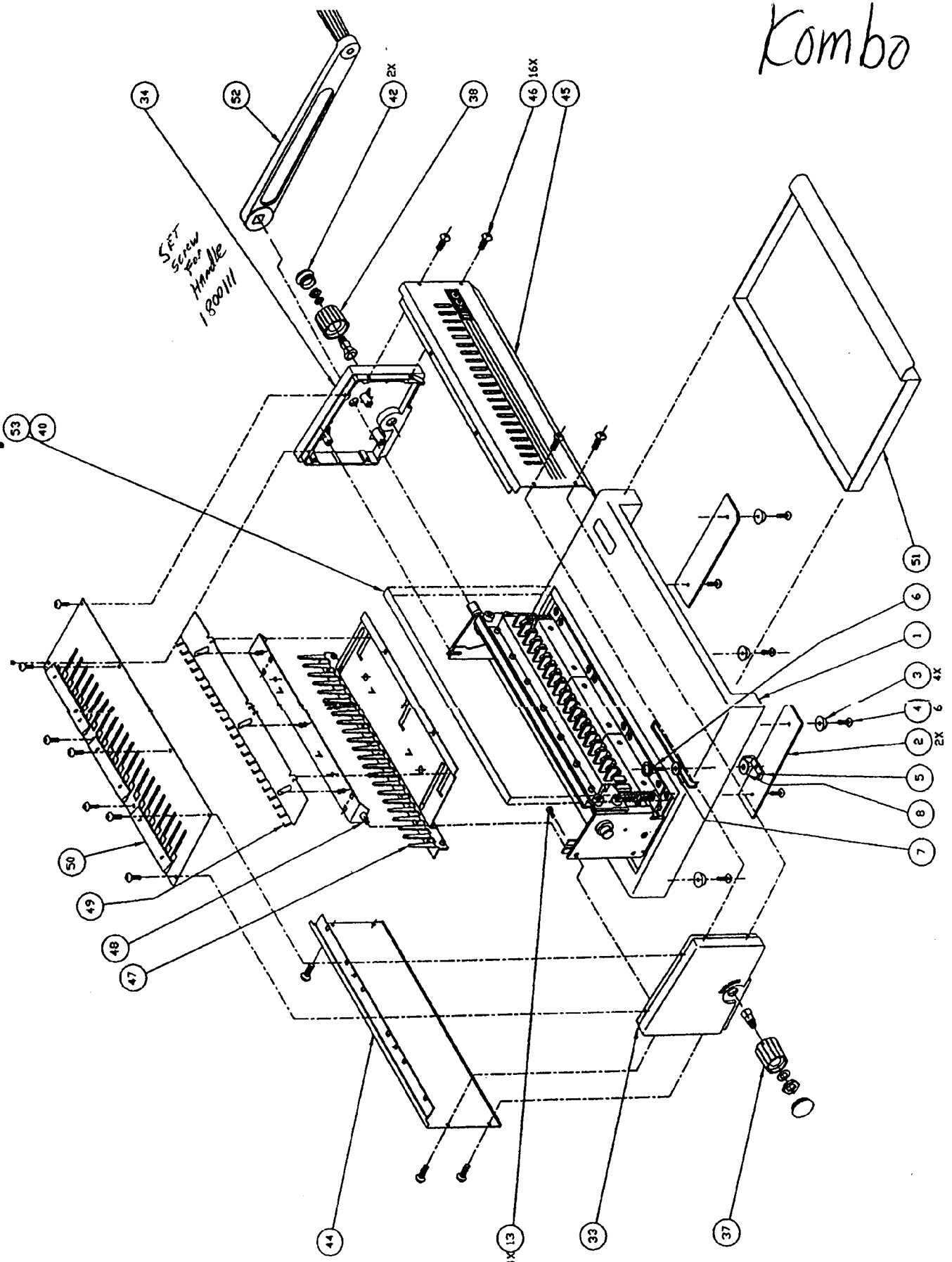
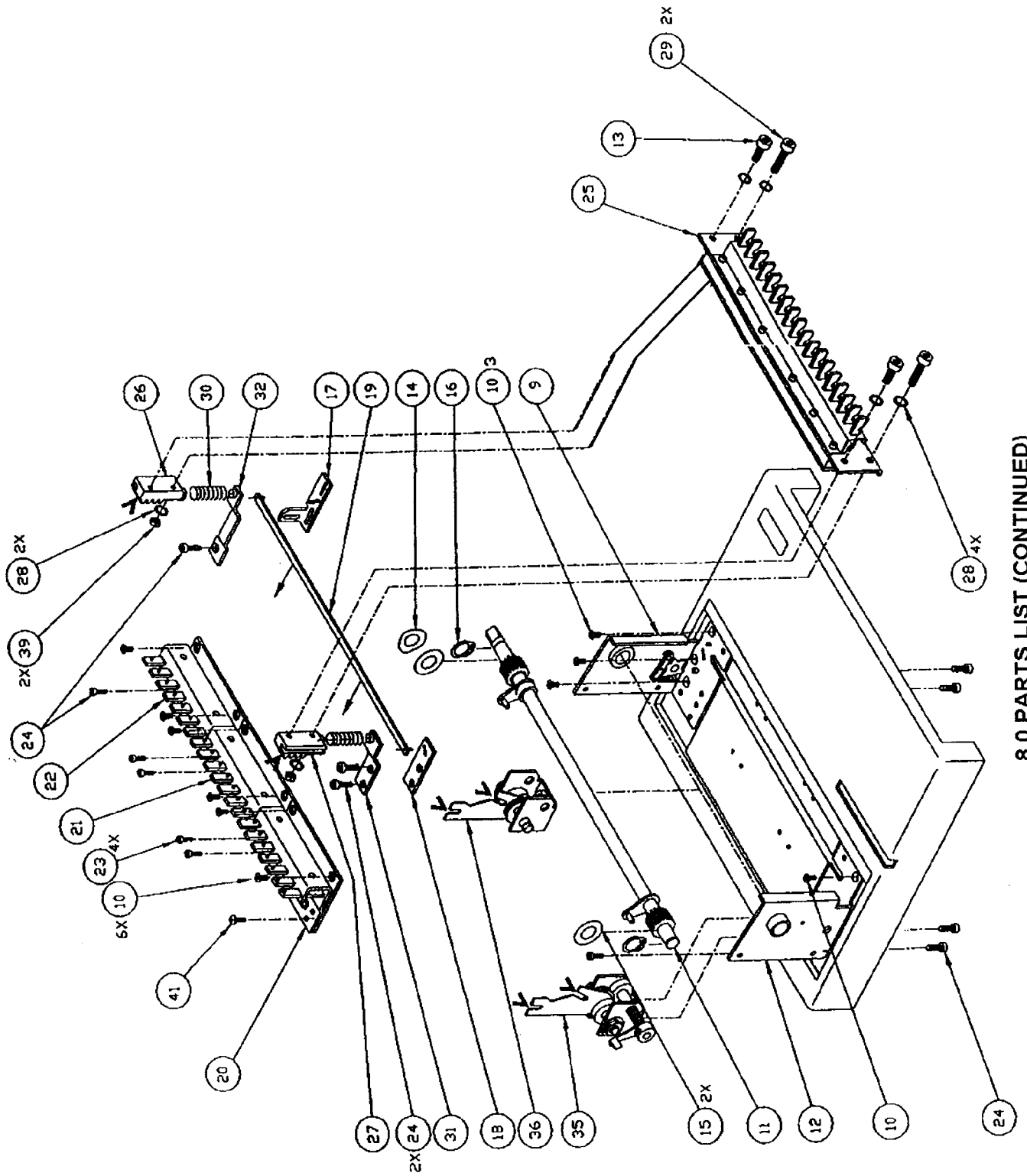


Komboa



8.0 PARTS LIST



8.0 PARTS LIST (CONTINUED)

8.0 PARTS LIST

| ITEM | GBC# | IBICO# | DESCRIPTION | QTY. |
|-------------|-------------|---------------|-----------------------------------|-------------|
| 1) | 7400602 | 2230043 | CHASSIS PB 21 | 1 |
| 2) | 7400520 | 2232031 | DRAWER GUIDE | 2 |
| 3) | 7400521 | 2218210 | RUBBER FOOT | 4 |
| 4) | 1907204 | | 8-32X1/2 SLTD. HEX SELF TAP SCREW | 6 |
| 5) | 7400522 | 2216032 | STOP,PAPER GUIDE | 1 |
| 6) | 7400523 | 2215910 | ADJUSTING SCREW | 1 |
| 7) | 7400524 | 2216110 | WASHER | 1 |
| 8) | 1800301 | 9930300 | WASHER M6 | 1 |
| 9) | 7400586 | 1111790 | BEARING BRACKET ASS. (RIGHT) | 1 |
| 10) | 1800105 | 9902400 | PHILIPS SCREW FLT HD M5X10 | 10 |
| 11) | 7400588 | 1132090 | AXLE COMPLETE | 1 |
| 12) | 7400587 | 1112390 | BEARING BRACKET ASS. (LEFT) | 1 |
| 13) | 1800133 | 9901000 | ALLEN SCREW M5X10 BURNISHED | 7 |
| 14) | 7400619 | 2234410 | SPRING WASHER | 1 |
| 15) | 1800306 | 9930900 | DISTANCE PLATE 14X26X0.5 | 2 |
| 16) | 1800455 | 9950400 | RETAINING RING A14 | 2 |
| 17) | 7400620 | 2215129 | PAPER STOP LEVER | 1 |
| 18) | 7400621 | 2215229 | PAPER STOP GUIDE | 1 |
| 19) | 7400622 | 1116390 | PAPER STOP RAIL CPL. | 1 |
| 20) | 7400589 | 1103490 | PUNCH BLOCK ASS. (LEFT) | 1 |
| 21) | 7400510 | 1103690 | PUNCH BLOCK ASS. (CENTER) | 1 |
| 22) | 7400590 | 1103790 | PUNCH BLOCK ASS. (RIGHT) | 1 |
| 23) | 1800103 | 9900300 | ALLEN SCREW M5X12 BURNISHED | 4 |
| 24) | 1800108 | 9900500 | ALLEN SCREW M5X16 BURNISHED | 8 |
| 25) | 7400591 | 1112790 | PRESSURE BEAM ASS. | 1 |
| 26) | 7400592 | 1116690 | TOOTHED RACK ASS. (RIGHT) | 1 |

8.0 PARTS LIST

| | | | | |
|-----|---------|---------|-----------------------------|----|
| 27) | 7400593 | 1116790 | TOOTHED RACK ASS. (LEFT) | 1 |
| 28) | 1800307 | 9940100 | SPRING LOCK WASHER M5 | 6 |
| 29) | 1800110 | 9901100 | ALLEN SCREW M5X20 BURNISHED | 2 |
| 30) | 7400634 | 2213610 | PRESSURE SPRING | 2 |
| 31) | 7400594 | 1116590 | SPRING HOLDER ASS. (LEFT) | 1 |
| 32) | 7400595 | 1116490 | SPRING HOLDER ASS. (RIGHT) | 1 |
| 33) | 7400638 | 2230843 | COVER PLATE LEFT | 1 |
| 34) | 7400639 | 2230943 | COVER PLATE(RIGHT) | 1 |
| 35) | 7400596 | 1132890 | HINGE ASS. (LEFT) | 1 |
| 36) | 7400597 | 1132990 | HINGE ASS. (RIGHT) | 1 |
| 37) | 7400651 | 2234500 | CONTROL KNOB | 1 |
| 38) | 7400652 | 2226000 | KNOB | 1 |
| 39) | 1800402 | 9920500 | NUT | 2 |
| 40) | 1960530 | | LOCTITE | 1 |
| 41) | 1800113 | 9911300 | SCREW | 1 |
| 42) | 7400653 | 2226100 | KNOB COVER | 2 |
| 43) | 1961503 | | LUBRIPLATE #130-AA | 1 |
| 44) | 7400598 | 1133590 | BACK COVER IBICO-GREY | 1 |
| 45) | 7400599 | 1133490 | FRONT COVER IBICO-GREY | 1 |
| 46) | 1800107 | 9903000 | THREAD CUTTING SCREW M3X8 | 16 |
| 47) | 7400505 | 1131090 | COMB ASS. | 1 |
| 48) | 7400656 | 1133029 | CARRIER CPL. | 1 |
| 49) | 7400542 | 2230320 | SLIDE | 1 |
| 50) | 7400659 | 1130190 | COVER PLATE ASS. | 1 |
| 51) | 7400661 | 2233710 | DRAWER | 1 |
| 52) | 7400600 | 1132290 | LEVER COMPLETE , GREY KOMBO | 1 |
| 53) | 7400667 | 0640051 | RULER, KOMBO SELF ADHESIVE | 1 |