



# **IMAGEMAKER 3000**

## **Parts List**



GBC IS AN ACCO BRANDS COMPANY

# FRONT VIEW

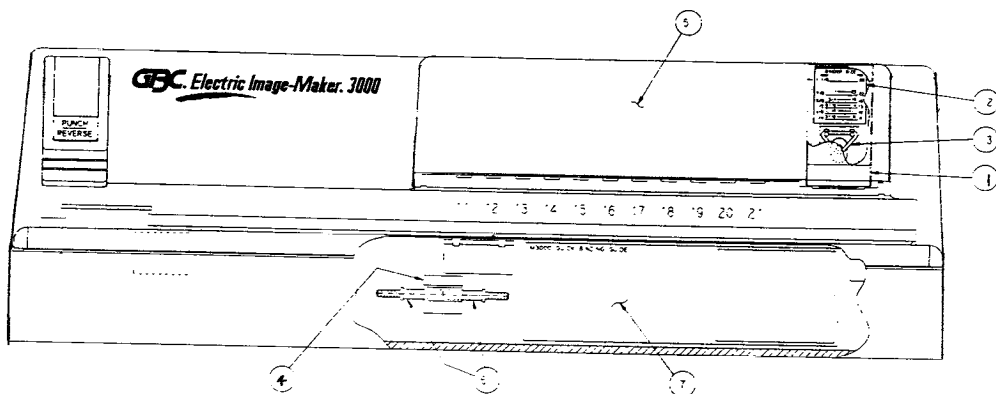


FIGURE 8.7

ITEM	PART NO.	DESCRIPTION	QUANTITY PER MACHINE MODEL		
			100 VOLT	115 VOLT	230 VOLT
1	7700440	SLIDE, BINDER SIZE	1	1	1
2	7700230	LABEL, BINDER INDEX	1	1	1
3	1152140	O-RING	1	1	1
4	1931046	CLAMP, CABLE (POST)	1	1	1
5	7700435	COVER, SELECTOR PIN	1	1	1
6	7700834	POST	2	2	2
7	7700436	INSTRUCTIONAL DECAL-IM3000	1	1	1

## LEFT SIDE VIEW

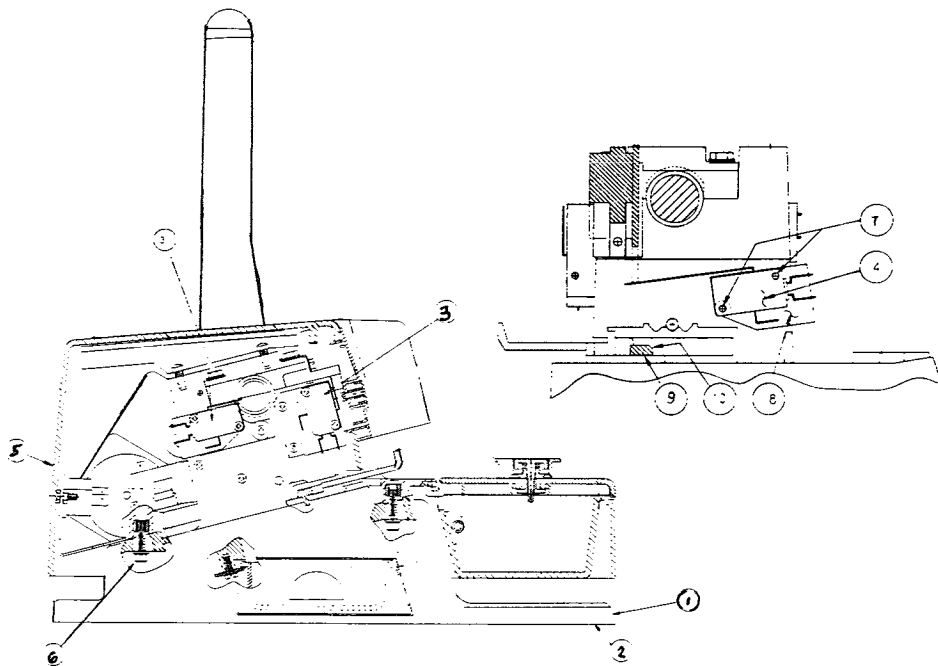


FIGURE 8.5

ITEM	PART NO.	DESCRIPTION	QUANTITY PER MACHINE MODEL		
			100 VOLT	115 VOLT	230 VOLT
			(JAPAN)		
1	7700061	BASE, DIE CAST	1	1	1
2	1136626	FOOT	4	4	4
3	7700632	SWITCH (PUNCH & DRIVESHAFT)	2	2	2
4	7700643	SWITCH (PRESS BAR)	1	1	1
5	7701045	TOP COVER ASSEMBLY	0	0	1
	7700443	TOP COVER ASSEMBLY	1	1	0
	-REF-	▪ HOUSING, MODIFIED	1	1	1
	-REF-	▪ GUIDE, THROAT	1	1	1
	7700231	▪ COVER, BIN	1	1	1
6	1911001	SCREW 10-32x3/4, SEMS	1	1	1
8	1122005	INSULATOR, SWITCH	4	4	4
9	1101994	SPRING RIBBON, BACK GAUGE	3	3	3
10	1152012	BAR, BACK GAUGE	1	1	1
			1	1	1

### RIGHT SIDE VIEW

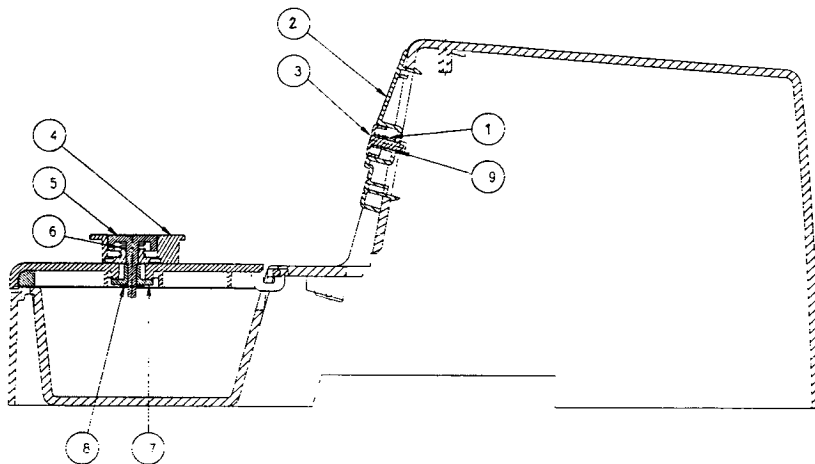


FIGURE 8.8

ITEM	PART NO.	DESCRIPTION	QUANTITY PER MACHINE MODEL		
			100 VOLT (JAPAN)	115 VOLT	230 VOLT
1	1152092	SPRING	1	1	1
2	7700437	BEZEL	1	1	1
3	7700441	ACTUATOR, PUNCH (PURPLE) ~	1	1	1
4	7700235	GUIDE, EDGE	1	1	1
5	7700236	BUTTON, EDGE GUIDE (PURPLE)	1	1	1
6	1152141	SPRING, EDGE GUIDE	1	1	1
7	7700248	DETENT, GUIDE	1	1	1
8	1932505	RING, RETAINING	1	1	1
9	1932507	RING, RETAINING-PUSH ON	1	1	1

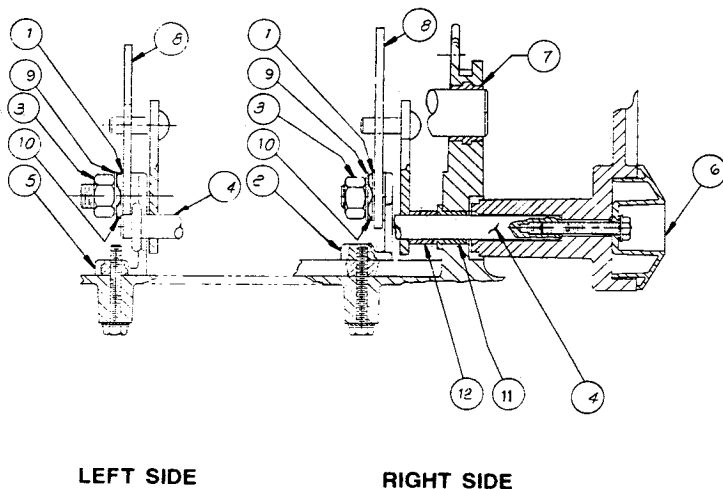


FIGURE 8.4

ITEM	PART NO.	DESCRIPTION	QUANTITY PER MACHINE MODEL		
			100 VOLT	115 VOLT	230 VOLT
1	1953519	BEARING, THRUST	2	2	2
2	7700448	BRACKET, R.H. PIVOT	1	1	1
3	1932301	LOCKNUT, 3/8-24	2	2	2
4	7700857	BINDING SHAFT WELD ASY	0	0	1
	7700438	SHAFT WELD ASSY, BINDING	1	1	0
5	7700447	BRACKET, L.H. PIVOT	1	1	1
6	7700240	CAP, HANDLE	1	1	0
	7700839	CAP, HANDLE	0	0	1
7	7700039	BEARING, DRIVESHAFT	2	2	2
8	1152049	YOKE, BINDING	2	2	2
9	1925113	WASHER, FLAT .385x3/4x.024"	2	2	2
10	1926507	WASHER, SPRING, 3/8" I.D.	2	2	2
11	1952009	BEARING, FLANGE-BRONZE	1	1	1
12	1952221	BEARING, BRONZE	1	1	1

## BOTTOM VIEW

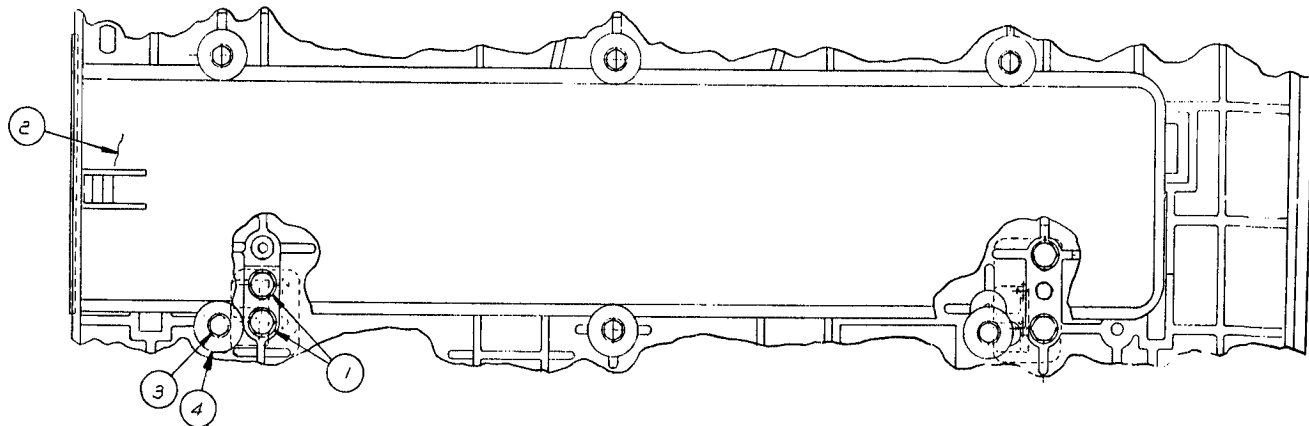


FIGURE 8.3

ITEM	PART NO.	DESCRIPTION	QUANTITY PER MACHINE MODEL		
			100 VOLT	115 VOLT	230 VOLT
			(JAPAN)		
1	1907400	SCREW, 10-32x1¼" HSH SEMS	4	4	4
2	7700041	CHIP TRAY	1	1	1
3	1907202	SCREW, 6-32x3/8" SHWH TAPPING	6	6	6
4	1925101	WASHER, FLAT NO. 6	6	6	6

FIGURE 8.2

ITEM	PART NO.	DESCRIPTION	QUANTITY PER MACHINE MODEL		
			100 VOLT	115 VOLT	230 VOLT
			(JAPAN)		
7	7700250	DIE ASSEMBLY	3	3	3
9	1900632	SCREW, 10-32x9/16" FLAT HD CAP	6	6	6
10	1926801	LOCK NUT, 6-32 KEPS	3	3	3
12	7700844	BEARING, SLIDE	2	2	2
14	7700249	PRESSURE BAR ASSY.	1	1	1
15	7700052	SELECTOR PIN GUIDE	1	1	1
16	7700044	PIN, SELECTOR	11	11	11
18	7700037	CAP, RIGHT BEARING	1	1	1
19	7700038	CAP, LEFT BEARING	1	1	1
20	1907103	SCREW, 10-32x1" HH TAP SEMS	5	5	5
21	1907102	SCREW, 10-32x11/16" HH TAP SEMS	2	2	2
22	1907203	SCREW, 8-32x3/4" SLTD HEX WASH HD T	2	2	2
23	1164991	DRIVESHAFT COMPLETE	1	1	1
27	1907404	SCREW, 10-32x3/4 SHFH SEMS	5	5	5
45	7700840	HANDLE	1	1	1
47	7700233	GRIP, HANDLE-UPPER	1	1	1
48	7700234	GRIP, HANDLE-LOWER	1	1	1
49	1901206	SCREW, 8-16x3/4" PH THRD ROLL	2	2	2
61	7700244	SLIDE ASSY, BACK GAUGE (PURPL)	1	1	1
67	7700430	MOUNT, MOTOR	1	1	1
68	1907322	SCREW, 8-32x $\frac{1}{2}$ " HSH SEMS	4	4	4
69	7701031	MOTOR W/BRAKE 230V	0	0	1
	7700431	MOTOR W/BRAKE	1	1	0
70	1156037	GEAR, SPUR PINION, 25 TOOTH	1	1	1
72	1852815	KEY, 1/8 X 1/8 X 3/4"	1	1	1
73	1900004	SETSCREW 10-32x $\frac{1}{4}$ "	1	1	1
75	7700439	CIRCUIT BOARD ASSY, P.C.	1	1	0
	7701030	CIRCUIT BOARD ASSY, P.C.	0	0	1
76	6205010	CAPACITOR (19 $\mu$ F)	1	1	0
	6205003	CAPACITOR 4 $\mu$ F (EUROPE/SWITZ)	0	0	1
	6205005	CAPICATOR (15 $\mu$ F)	0	1	0
	6205008	CAPACITOR 3.5 $\mu$ F (UK/AUSTRALIA)	0	0	1
82	1132289	CONNECTOR. POWER CORD	1	1	1
83	1907301	SCREW 6-32x3/8" HSH SEMS	2	2	2
84	7700450	PANEL, ELECTRICAL	1	1	1
98	1907403	SCREW, 10-32x1-3/8" HSH SEMS	1	1	1
113	1907802	SCREW, 8-32x $\frac{1}{2}$ " PAN HD THD CUT	1	1	1
114	1907701	SCREW, 8-32x3/8" FILL HD CUT	4	4	4

## BINDER ASSEMBLY

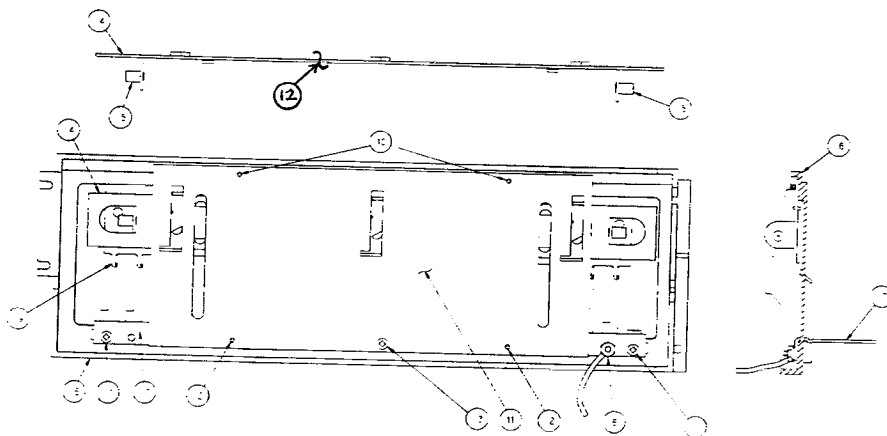


FIGURE 8.6

ITEM	PART NO.	DESCRIPTION	QUANTITY PER MACHINE MODEL		
			100 VOLT	115 VOLT	230 VOLT
			(JAPAN)		
1	1901202	SCREW, 6-18x $\frac{1}{4}$ " PH THRD ROLL	2	2	2
2	1907811	SCREW, 6-32x $\frac{1}{4}$ " PH CUTTING	2	2	2
3	1901204	SCREW, 6-18x5/16" PH THRD ROLL	1	1	1
4	1132389	BAR ASSEMBLY, SLIDE	1	1	1
5	1131165	SLIDE, DRIVE BUTTON	2	2	2
6	7700047	FRAME, BINDER	1	1	1
7	1152132	COMB	1	1	1
8	1911116	SCREW, 6-32x3/8" PAN HD SEMS	1	1	1
9	1101997	SLIDE, HOOK	1	1	1
10	1907805	SCREW, 6-32x1/4" PH CUTTING	2	2	2
11	7700245	PLATE, GUIDE	1	1	1

230V HANDLE CONFIGURATION

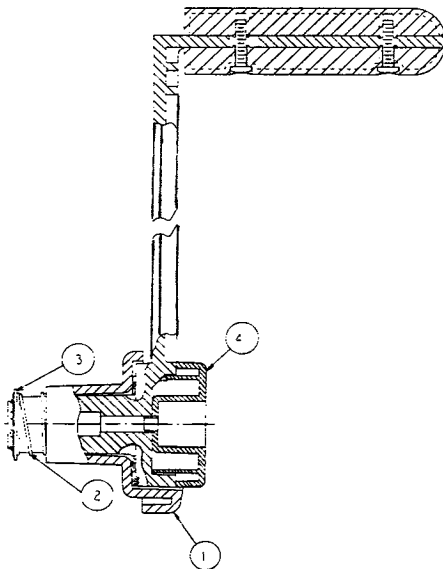
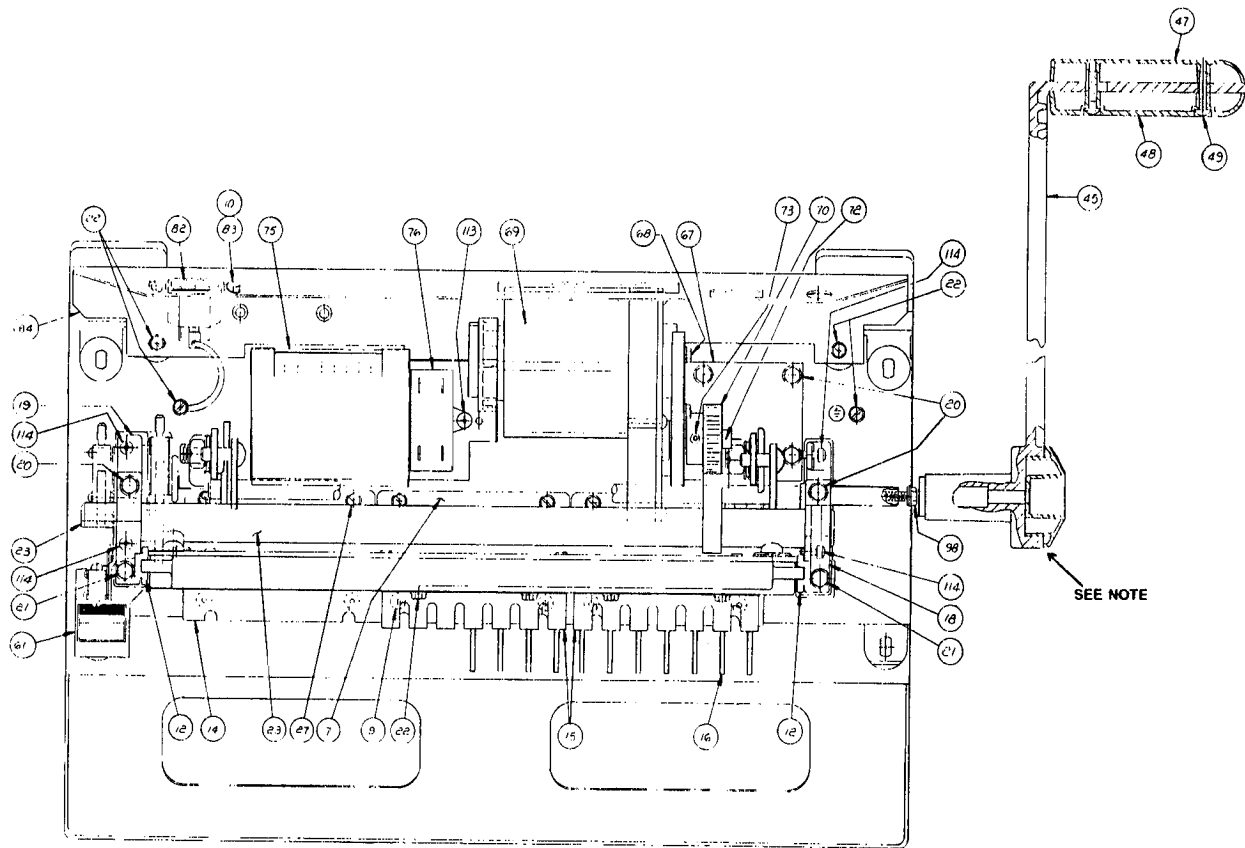


FIGURE 8.9

ITEM	PART NO.	DESCRIPTION	QUANTITY PER MACHINE MODEL		
			100 VOLT (JAPAN)	115 VOLT	230 VOLT
1	7701032	RING, SELECTOR (PURPLE)	0	0	1
2	7700841	SPRING, COMPRESSION	0	0	1
3	1925115	WASHER, FLAT 1-1/8x.760x.030	0	0	1
4	7700839	CAP HANDLE	0	0	1

FIGURE 8.2



NOTE: HANDLE ILLUSTRATION IS FOR THE 100V AND 115V UNITS.  
REFER TO FIGURE 8.9 FOR THE 230V HANDLE CONFIGURATION