

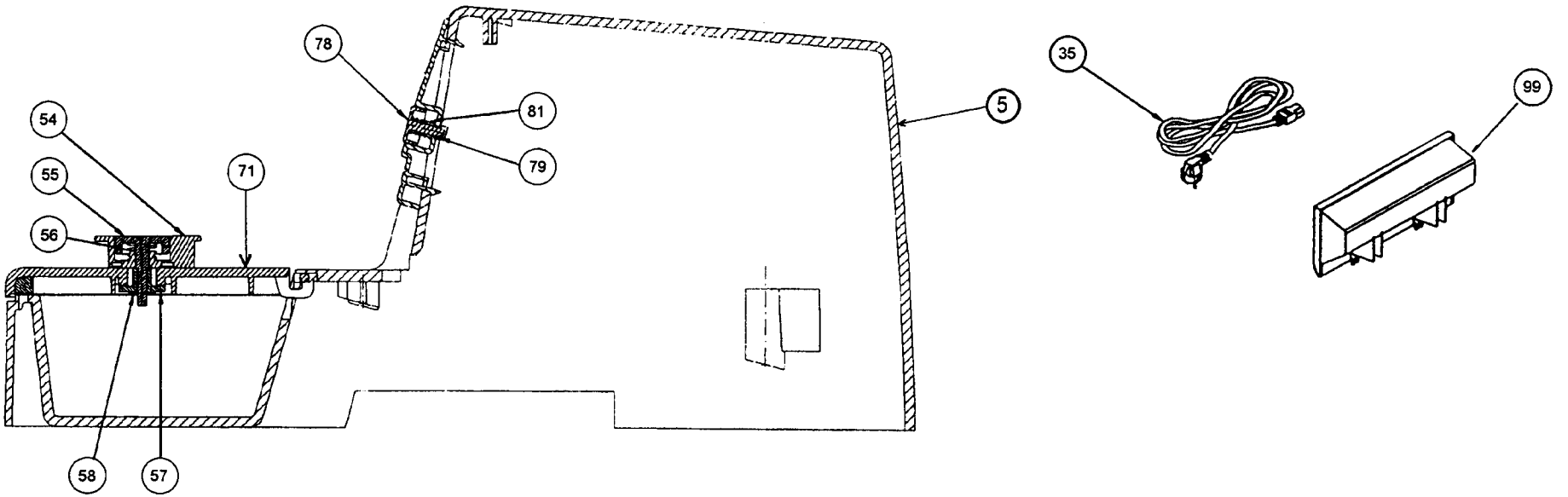


IMAGEMAKER 3000-2

Parts List



GBC IS AN ACCO BRANDS COMPANY



3

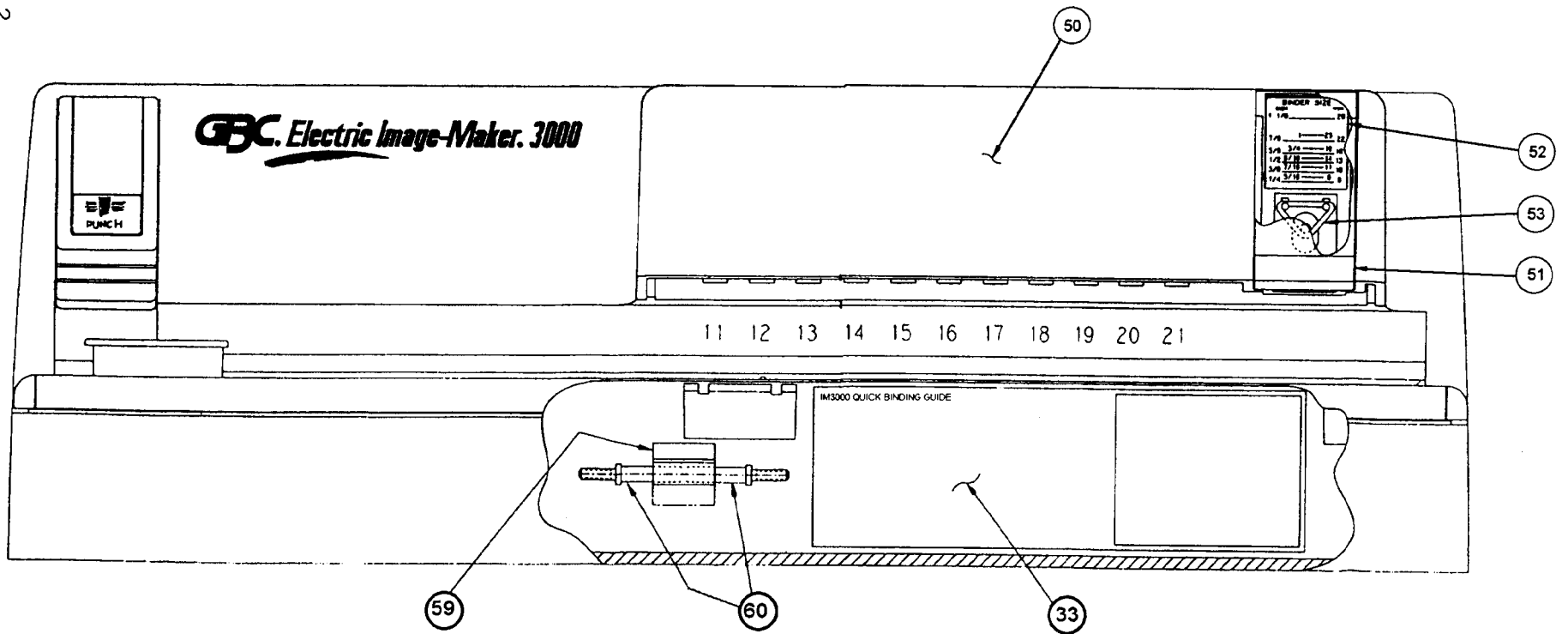


FIG. 2

GBC. Electric Image-Maker. 3000

BINDER SIZE

| | | |
|-------|-------|----|
| 1/4 | 1 | 22 |
| 3/8 | 3 1/2 | 28 |
| 1/2 | 4 1/2 | 34 |
| 3/4 | 5 1/2 | 40 |
| 1 | 6 1/2 | 46 |
| 1 1/4 | 7 1/2 | 52 |
| 1 3/4 | 8 1/2 | 58 |

11 12 13 14 15 16 17 18 19 20 21

IM3000 QUICK BINDING GUIDE

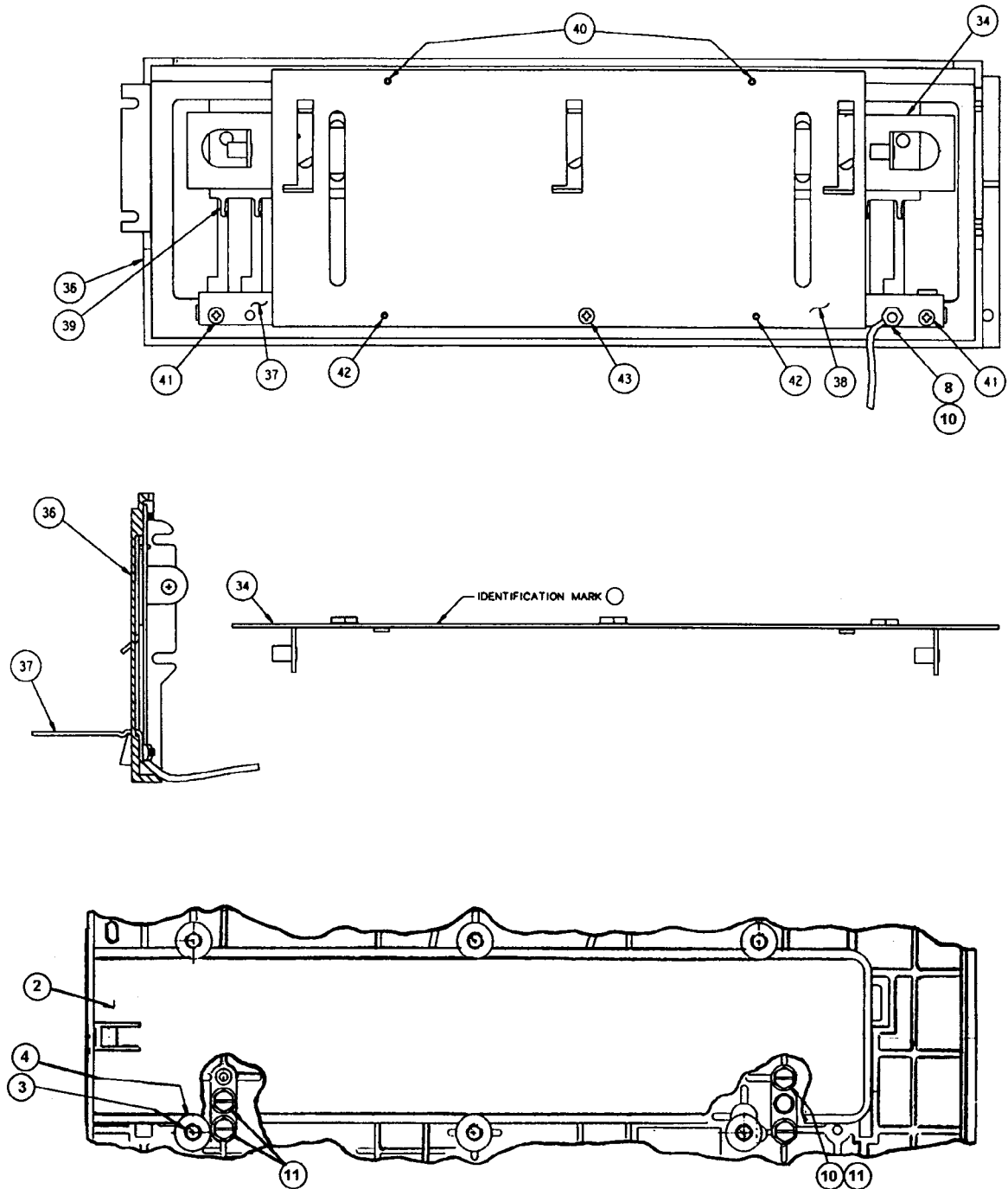


FIG. 3

FIG. 4

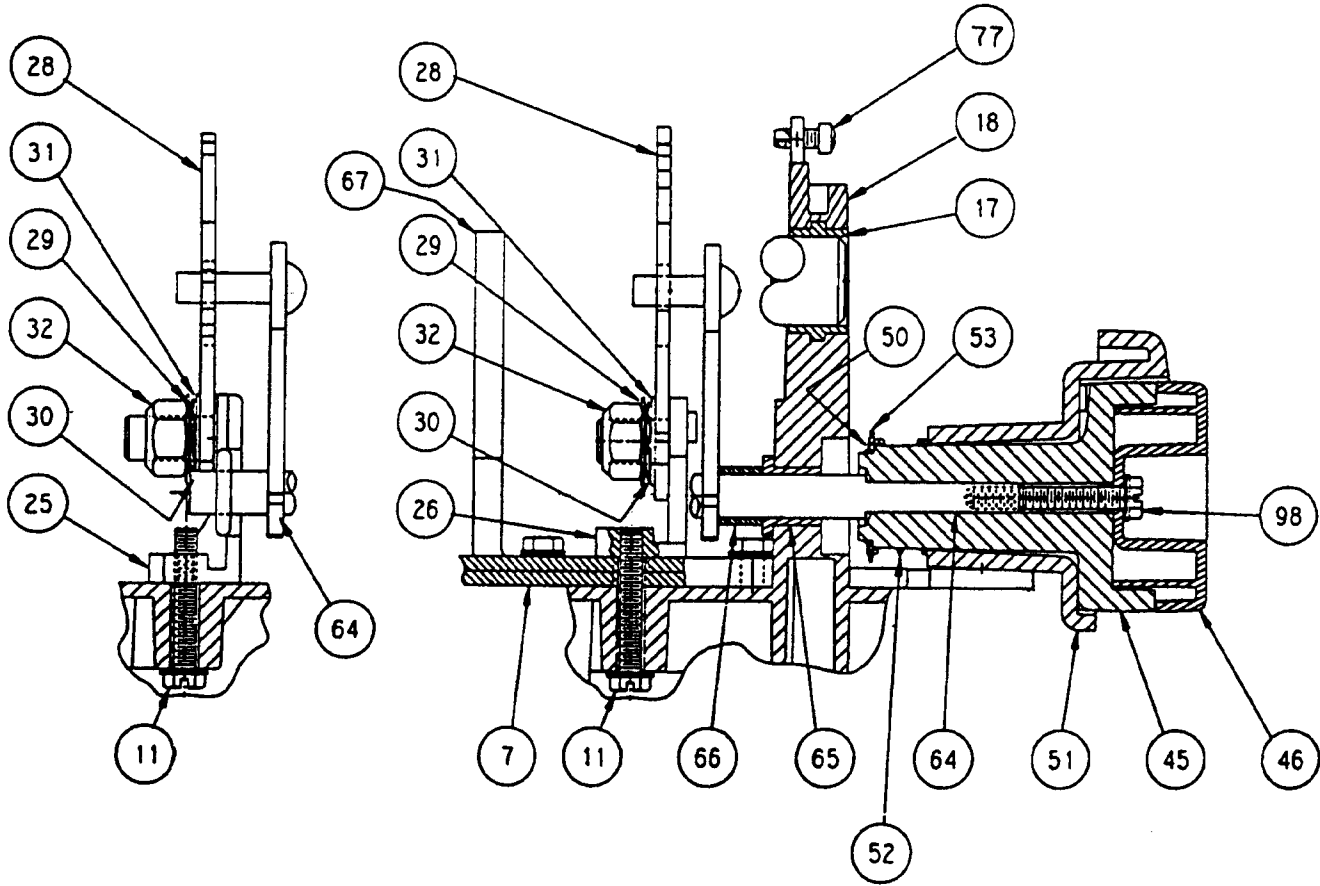
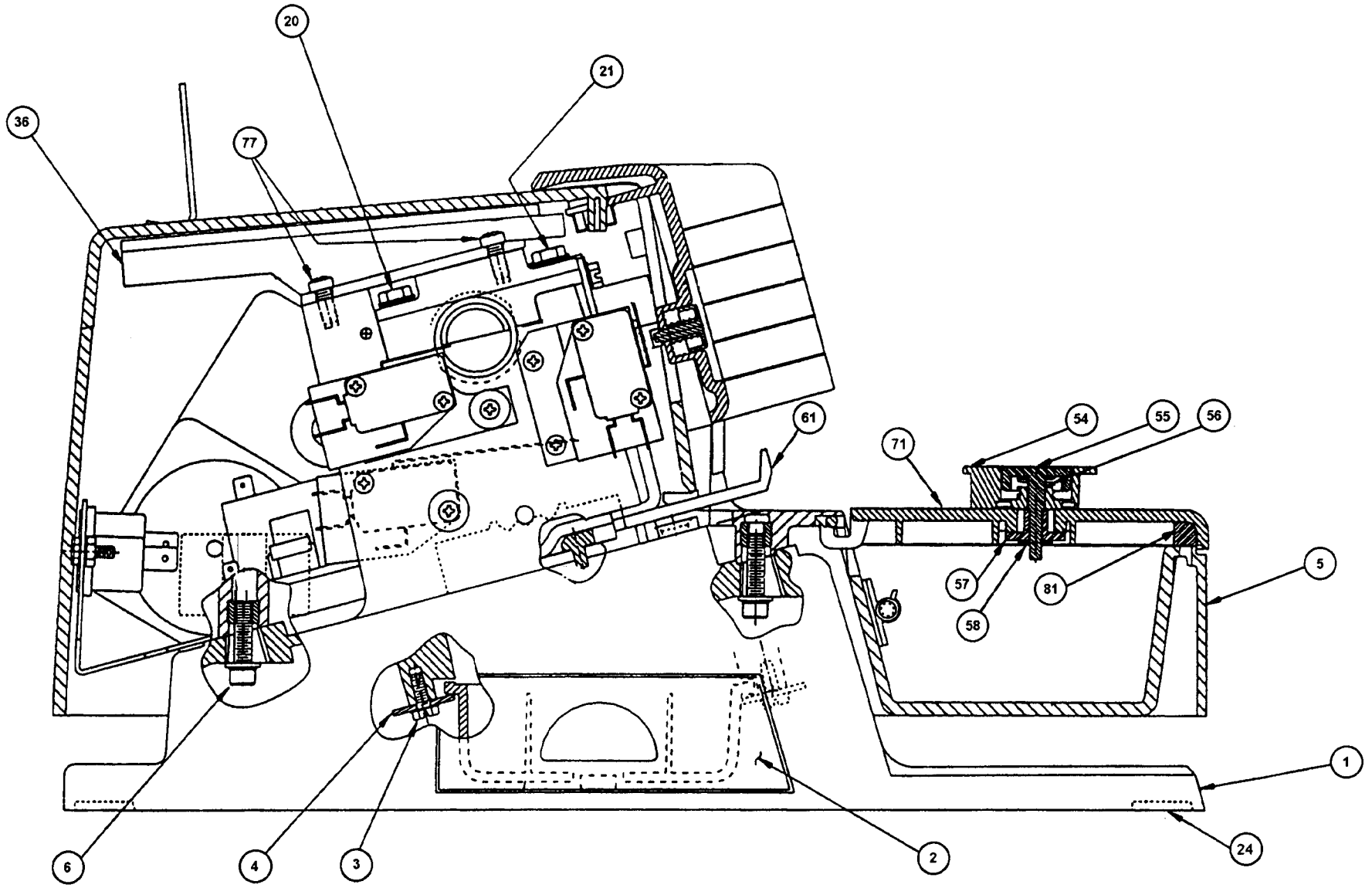
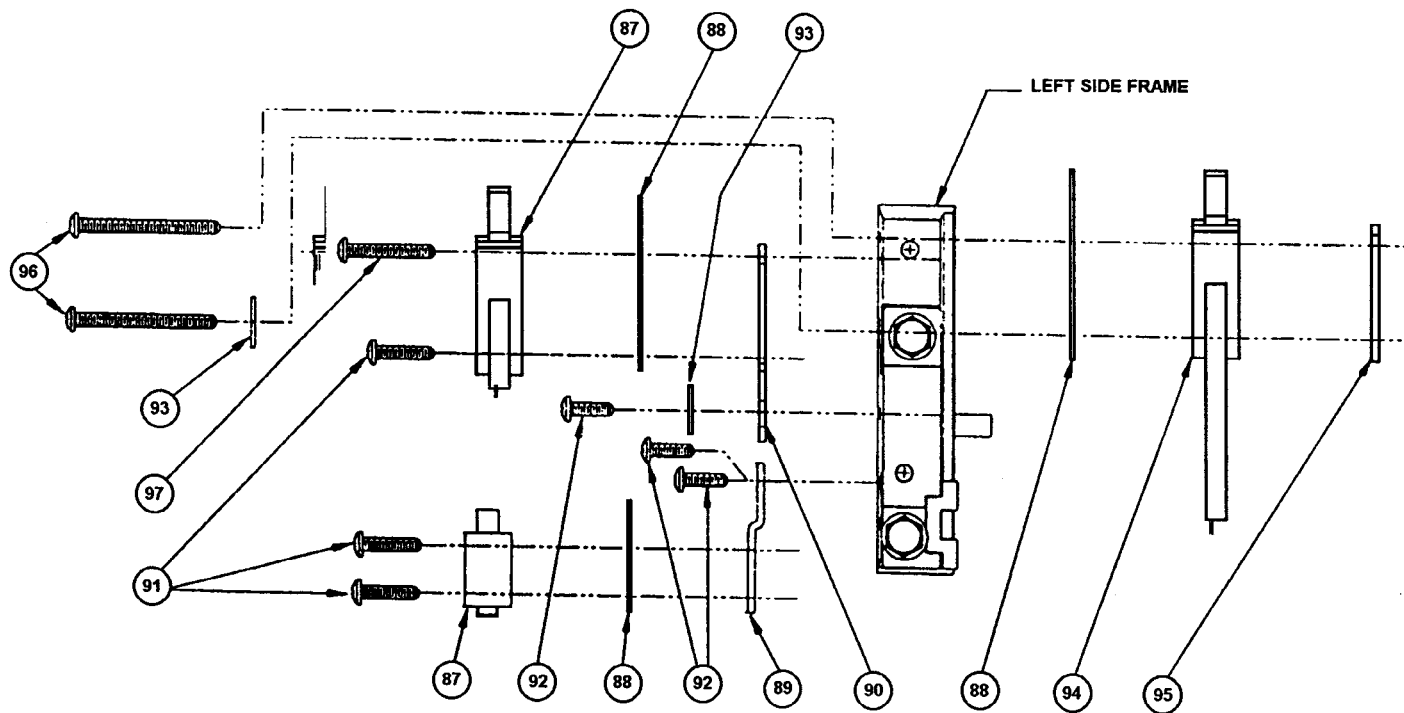
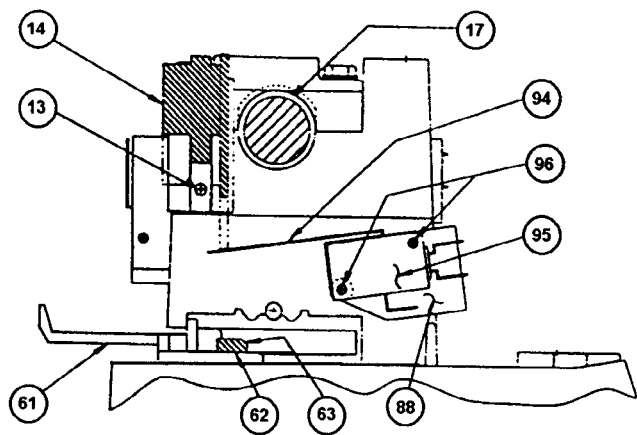


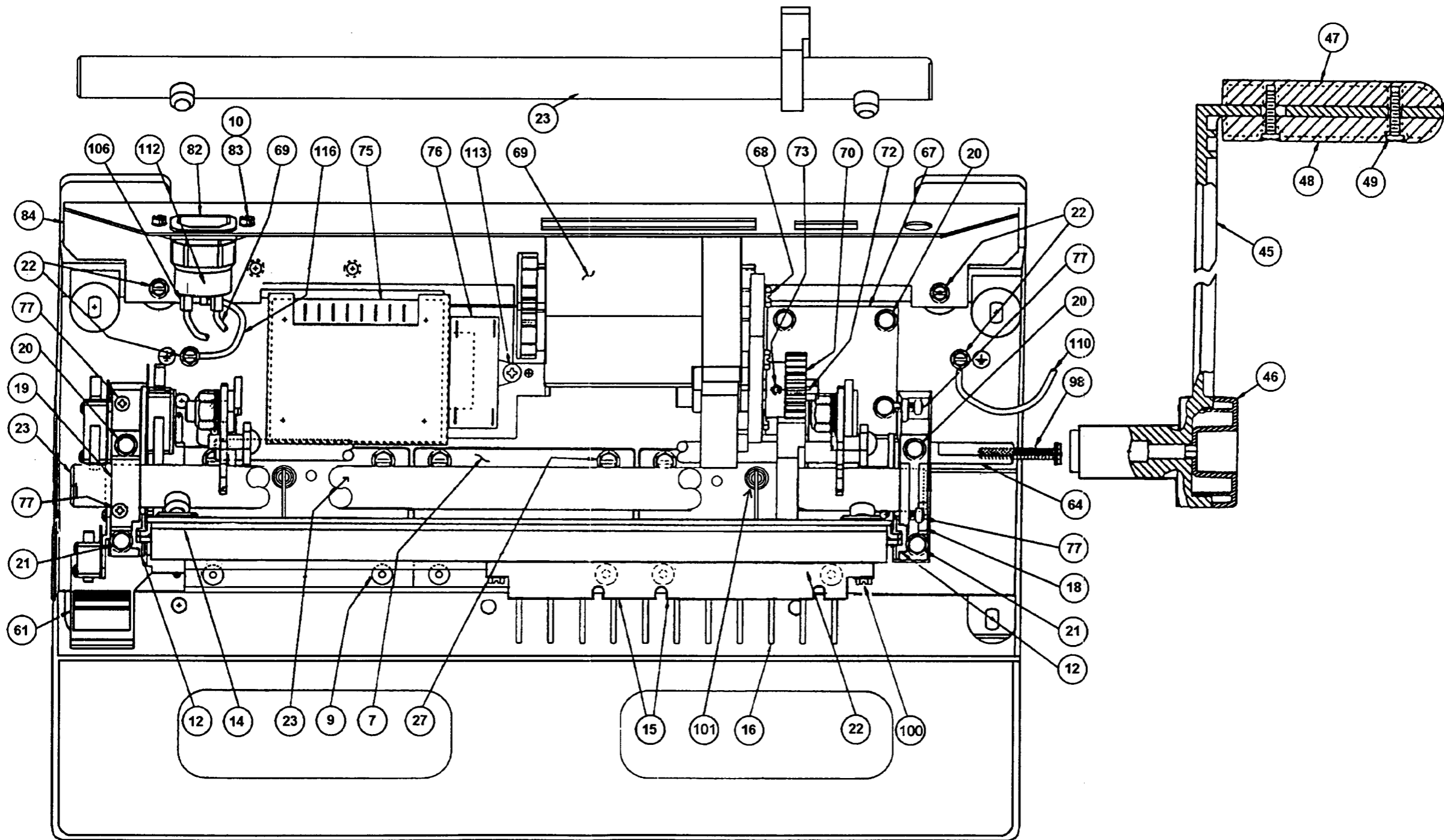
FIG. 5





EXPLODED TOP VIEW OF SWITCH ASSEMBLIES ON LEFT SIDE FRAME

FIG. 6



| ITEM | PART NO. | DESCRIPTION | QUANTITY 115 VOLT | QUANTITY 230 VOLT |
|------|----------|--|----------------------|----------------------|
| 1 | 7700061 | BASE, DIE CAST | 1 | 1 |
| 2 | 7700041 | CHIP TRAY | 1 | 1 |
| 3 | 1907202 | SCREW, 6-32x3/8 SLTD HEX SEMS TAP | 6 | 6 |
| 4 | 1925101 | WASHER, FLAT NO 6 | 6 | 6 |
| 5 | 7700443 | TOP COVER ASSY | 1 | 1 |
| 6 | 1911001 | SCREW, 10-32x3/4 MACH CREST CUP S | 4 | 4 |
| 7 | 7700250 | DIE ASSY | 3 | 3 |
| 8 | 1911116 | SCREW, 6-32x3/8 PAN HD SEMS | 1 | 1 |
| 9 | 1900632 | SCREW, 10-32x9/16 FLAT HD CAP | 6 | 6 |
| 10 | 1926801 | LOCK NUT, 6-32 | 3 | 3 |
| 11 | 1907400 | SCREW, 10-32x1 1/4 IND HEX SLT HD SEMS | 4 | 4 |
| 12 | 7700844 | SLIDE BEARING | 2 | 2 |
| 13 | 1911601 | SREW, 8-32x5/16 SEMS TAPPING | 2 | 2 |
| 14 | 7700249 | PRESSURE BAR ASSY | 1 | 1 |
| 15 | 1152010 | DETENT SPRING | 1 | 1 |
| 16 | 7700044 | SELECTOR PIN | 11 | 11 |
| 17 | 7700039 | BEARING, DRIVESHAFT | 2 | 2 |
| 18 | 7700037 | BEARING CAP, RIGHT | 1 | 1 |
| 19 | 7700038 | BEARING CAP, LEFT | 1 | 1 |
| 20 | 1907103 | SCREW, 10-32x1 HEX HD SEMS TAP | 5 | 5 |
| 21 | 1907102 | SCREW, 10-32x11/16 HEX HD SEMS TAP | 2 | 2 |
| 22 | 7700052 | GUIDE, SELECTOR PIN | 1 | 1 |
| 23 | 7700452 | DRIVE SHAFT ASSY | 1 | 1 |
| 24 | 1136626 | RUBBER FOOT | 4 | 4 |
| 25 | 7700447 | PIVOT BRACKET, L.H. | 1 | 1 |
| 26 | 7700448 | PIVOT BRACKET, R.H. | 1 | 1 |
| 27 | 1907404 | SCREW, 10-32x3/4 IND HEX SLT FLNG | 5 | 5 |
| 28 | 1152049 | YOKE, BINDING | 2 | 2 |
| 29 | 1925113 | WASHER, FLAT .385x3/4x.024" | 2 | 2 |
| 30 | 1926507 | WASHER, SPRING 3/8" I.D. | 2 | 2 |
| 31 | 1953519 | THRUST BEARING | 2 | 2 |
| 32 | 1932301 | LOCKNUT, 3/8-24 | 2 | 2 |
| 33 | 7700436 | INSTRUCTIONAL DECAL - GBC3000 | 1 | 1 |
| 34 | 1132389 | SLIDE BAR ASSY | 1 | 1 |
| 35 | 6200001 | POWER CORD 115V | 1 | |
| | 6200012 | POWER CORD EUROPE | | 1 |
| | 6200014 | POWER CORD UNITED KINGDOM | | 1 |
| | 6200015 | POWER CORD SWITZERLAND | | 1 |
| | 6200016 | POWER CORD AUSTRALIA | | 1 |
| 36 | 7700047 | BINDER FRAME | 1 | 1 |
| 37 | 1152132 | COMB | 1 | 1 |
| 38 | 7700245 | GUIDE PLATE | 1 | 1 |
| 39 | 1101997 | HOOK SLIDE | 1 | 1 |
| 40 | 1907805 | SCREW, 6-32x1/4 PAN HD TAPPING | 2 | 2 |
| 41 | 1901202 | SCREW, 6-18x1/4 THRD ROL PAN HD | 2 | 2 |
| 42 | 1907811 | SCREW, 6-32x1/2 PAN HD TAPPING | 2 | 2 |

| ITEM | PART NO. | DESCRIPTION | QUANTITY 115 VOLT | QUANTITY 230 VOLT |
|------|----------|--------------------------------------|----------------------|----------------------|
| 43 | 1901204 | SCREW, 6-18x5/16 THRD ROL PAN HD | 1 | 1 |
| 45 | 7700840 | HANDLE | 1 | 1 |
| 46 | 7700240 | CAP, HANDLE | 1 | 1 |
| 47 | 7700233 | UPPER HANDLE GRIP | 1 | 1 |
| 48 | 7700234 | LOWER HANDLE GRIP | 1 | 1 |
| 49 | 1901206 | SCREW, 8-16x3/4 THRD ROLL PAN HD | 2 | 2 |
| 50 | 7700435 | SELECTOR PIN COVER | 1 | 1 |
| 51 | 7700440 | BINDER SIZE SLIDE | 1 | 1 |
| 52 | 7700230 | BINDER SIZE LABEL | 1 | 1 |
| 53 | 1152140 | O - RING | 1 | 1 |
| 54 | 7700235 | EDGE GUIDE | 1 | 1 |
| 55 | 7700637 | BUTTON, EDGE GUIDE (GREEN) | 1 | 1 |
| 56 | 1152141 | SPRING, EDGE GUIDE | 1 | 1 |
| 57 | 7700248 | GUIDE DETENT | 1 | 1 |
| 58 | 1932505 | RETAINING RING | 1 | 1 |
| 59 | 1931046 | CABLE CLAMP (POST) | 1 | 1 |
| 60 | 7700834 | POST | 2 | 2 |
| 61 | 7700640 | SLIDE, BACK GAUGE CNTL (GRN) | 1 | 1 |
| 62 | 1101994 | BACK GAUGE RIBBON SPRING | 1 | 1 |
| 63 | 1152012 | BACK GAUGE BAR (DIECAST) | 1 | 1 |
| 64 | 7700857 | BINDING SHAFT WELD ASSY | 1 | 1 |
| 65 | 1952009 | FLANGE BEARING, BRONZE | 1 | 1 |
| 66 | 1952221 | BEARING, BRONZE | 1 | 1 |
| 67 | 7700430 | MOTOR MOUNG | 1 | 1 |
| 68 | 1907322 | SCREW, 8-32x1/2 IND HEX SLTD HD SEMS | 4 | 4 |
| 69 | 7700431 | A.C. GEARMOTOR W/BRAKE & LEAD ASSY | 1 | |
| | 7701031 | A.C. GEARMOTOR W/BRAKE & LEAD ASSY | | 1 |
| 70 | 1156037 | GEAR SPUR PINION, 25 TOOTH | 1 | 1 |
| 71 | 7700231 | SUPPLY BIN COVER | 1 | 1 |
| 72 | 1852815 | KEY, 1/8 X 1/8 X 3/4 | 1 | 1 |
| 73 | 1900026 | SET SCREW, 10-32 x 3/8" | 1 | 1 |
| 75 | 7700633 | P.C. BOARD ASSY | 1 | |
| | 1951003 | PC BOARD SUPPORT (NOT SHOWN) | 4 | |
| | 7700432 | PC BOARD SHIELD (NOT SHOWN) | 1 | |
| | 7700730 | P.C. BOARD ASSY | | 1 |
| | 1951003 | PC BOARD SUPPORT (NOT SHOWN) | | 4 |
| | 7700432 | PC BOARD SHIELD (NOT SHOWN) | | 1 |
| 76 | 6205005 | CAPACITOR (15uf) | 1 | |
| | 6205003 | CAPACITOR (4uf) EUROPE & SWITZERLAN | | 1 |
| | 6205008 | CAPACITOR (3.5uf) UK & AUSTRALIA | | 1 |
| 77 | 1907701 | SCREW, 8-32x3/8 FILL HD TAPPING | 4 | 4 |
| 78 | 7700833 | PUNCH ACTUATOR | 1 | 1 |
| 79 | 1932507 | RETAINING RING | 1 | 1 |
| 81 | 6178013 | SPRING | 1 | 1 |
| 82 | 1132289 | CONNECTOR, POWER CORD | 1 | 1 |
| 83 | 1907301 | SCREW, 6-32x3/8 IND HEX SLT HD SEMS | 2 | 2 |
| 84 | 7701047 | ELECTRICAL PANEL | 1 | 1 |
| 87 | 7700632 | SWITCH (PUNCH & DRIVE SHAFT) | 2 | 2 |
| 88 | 1122005 | INSULATOR, SWITCH | 3 | 3 |

| ITEM | PART NO. | DESCRIPTION | QUANTITY 115 VOLT | QUANTITY 230 VOLT |
|------|----------|--------------------------------------|----------------------|----------------------|
| 89 | 7700642 | BRACKET, PUNCH SWITCH | 1 | 1 |
| 90 | 7700634 | BRACKET, SWITCH ADJUSTMENT | 1 | 1 |
| 91 | 1902821 | SCREW, 4-40x1/2 PAN HD MACH | 3 | 3 |
| 92 | 1907812 | SCREW, 4-40x1/4 PAN HD TAPPING | 3 | 3 |
| 93 | 1925129 | WASHER, NO. 4 FLAT | 2 | 2 |
| 94 | 7700643 | SWITCH (PRESSURE BAR) | 1 | 1 |
| 95 | 1128310 | NUT PLATE | 1 | 1 |
| 96 | 1902870 | SCREW 4-40x1-3/16" PAN HD MACH | 2 | 2 |
| 97 | 1907828 | SCREW, 4-40x3/4 PAN HD TAPPING | 1 | 1 |
| 98 | 1907403 | SCREW, 10-32x1-3/8 IND HEX SLT HD S | 1 | 1 |
| 99 | 7700836 | TRAY, BINDING SUPPLY | 1 | 1 |
| 100 | 1912002 | SCREW 8-32 X 3/4 SLT HEX WSH HD SEMS | 2 | 2 |
| 101 | 7700042 | SPRING, CUP | 2 | 2 |