



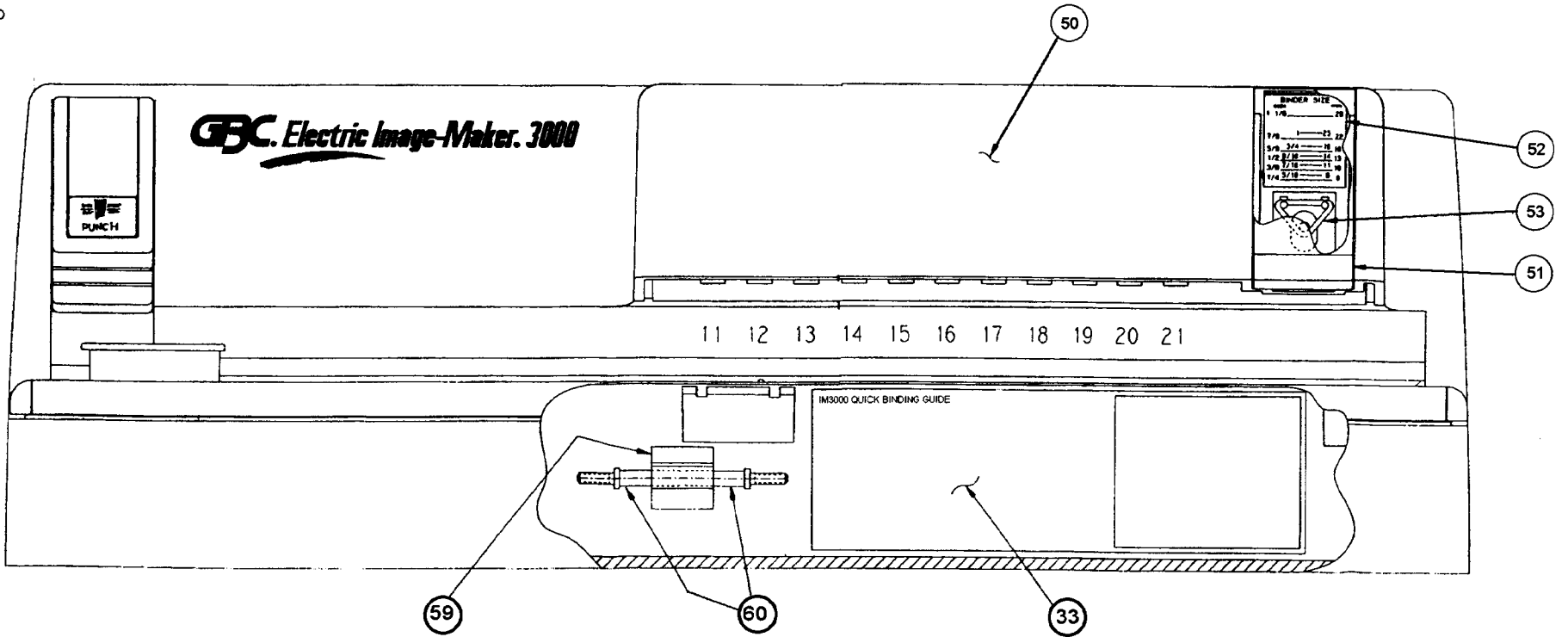
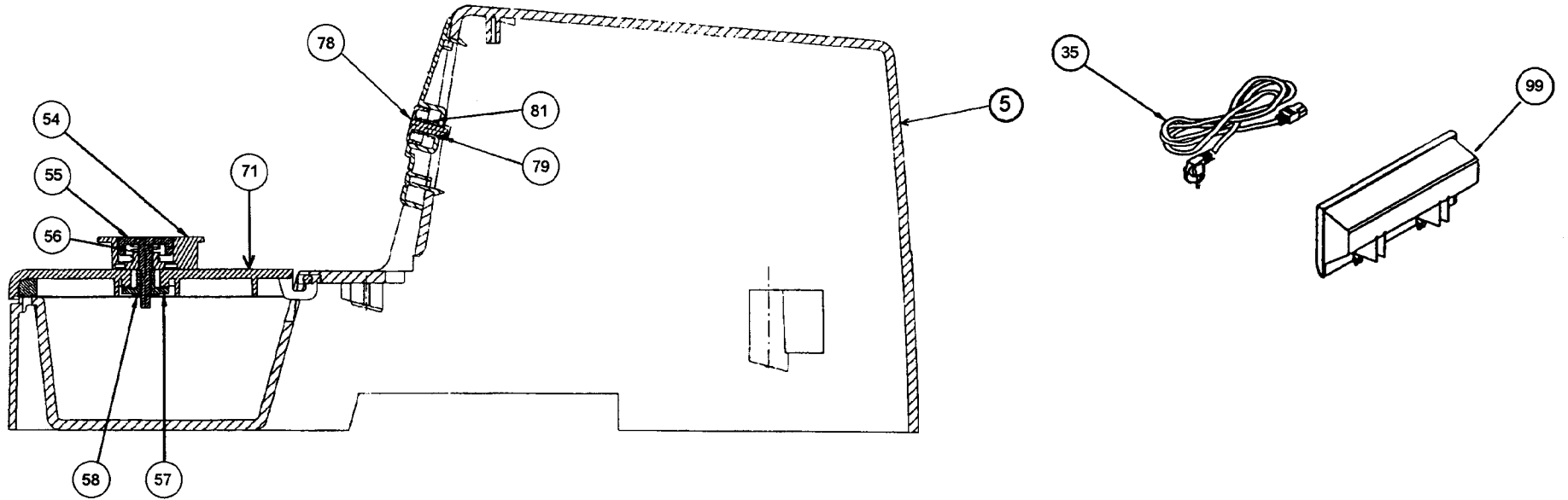
IMAGEMAKER 3000-1

Parts List



GBC IS AN ACCO BRANDS COMPANY

FIG. 2



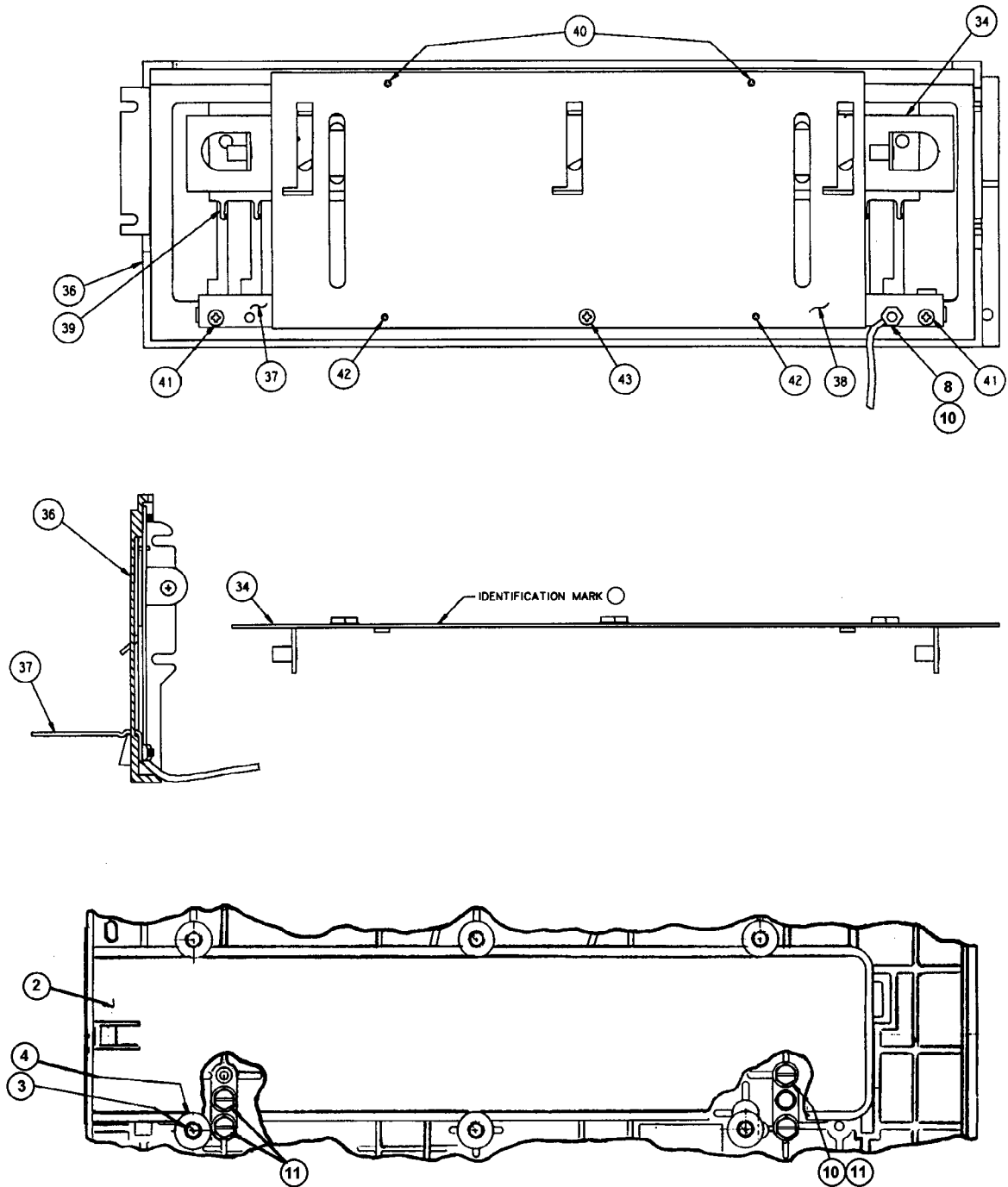


FIG. 3

FIG. 4

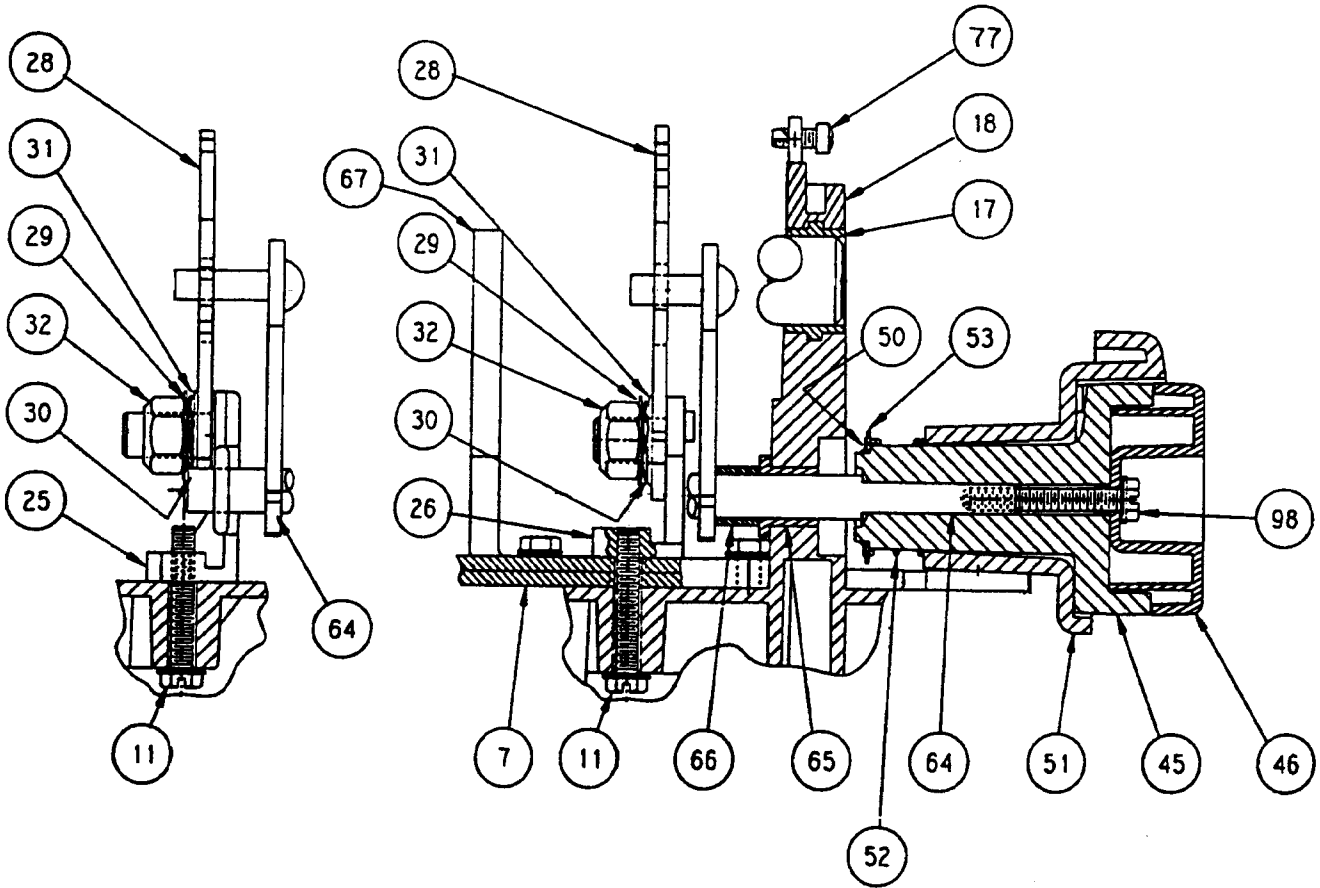
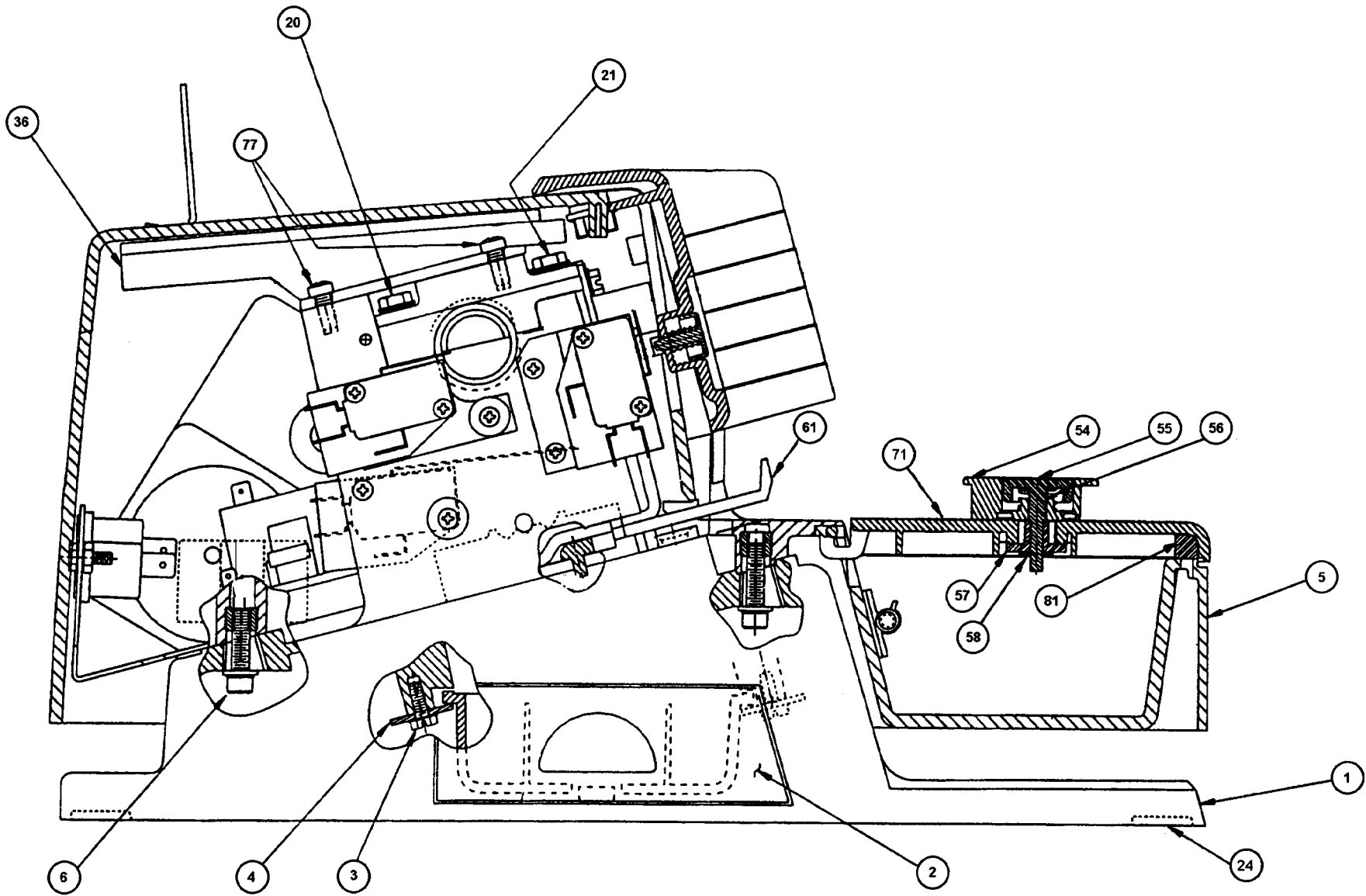
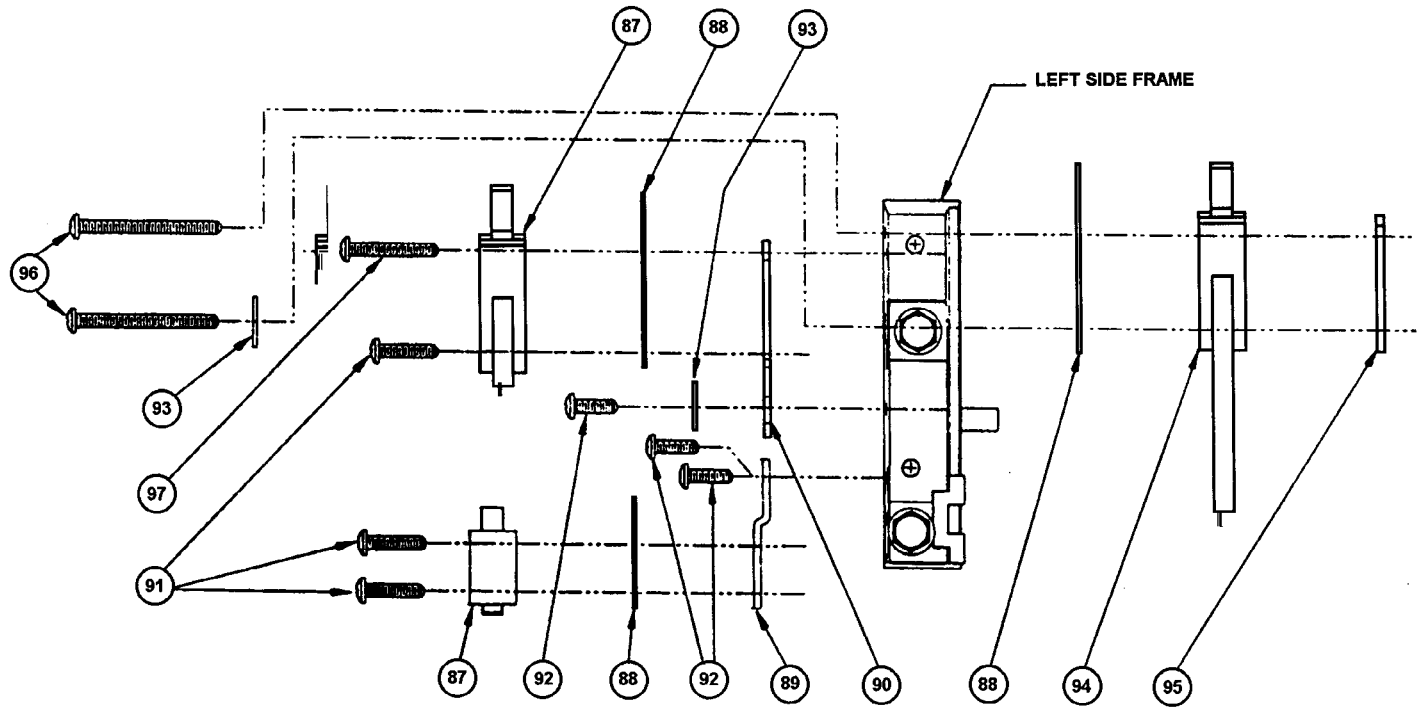
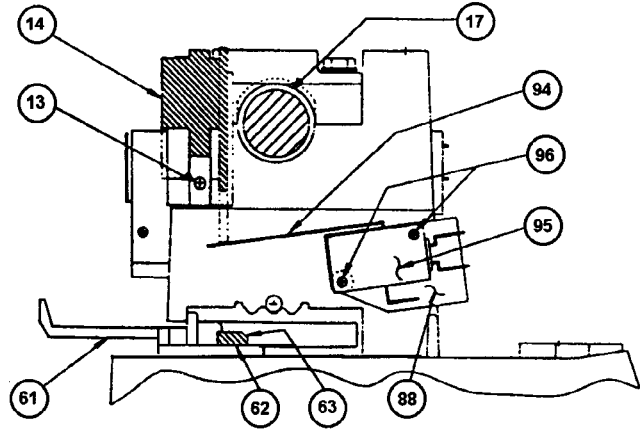


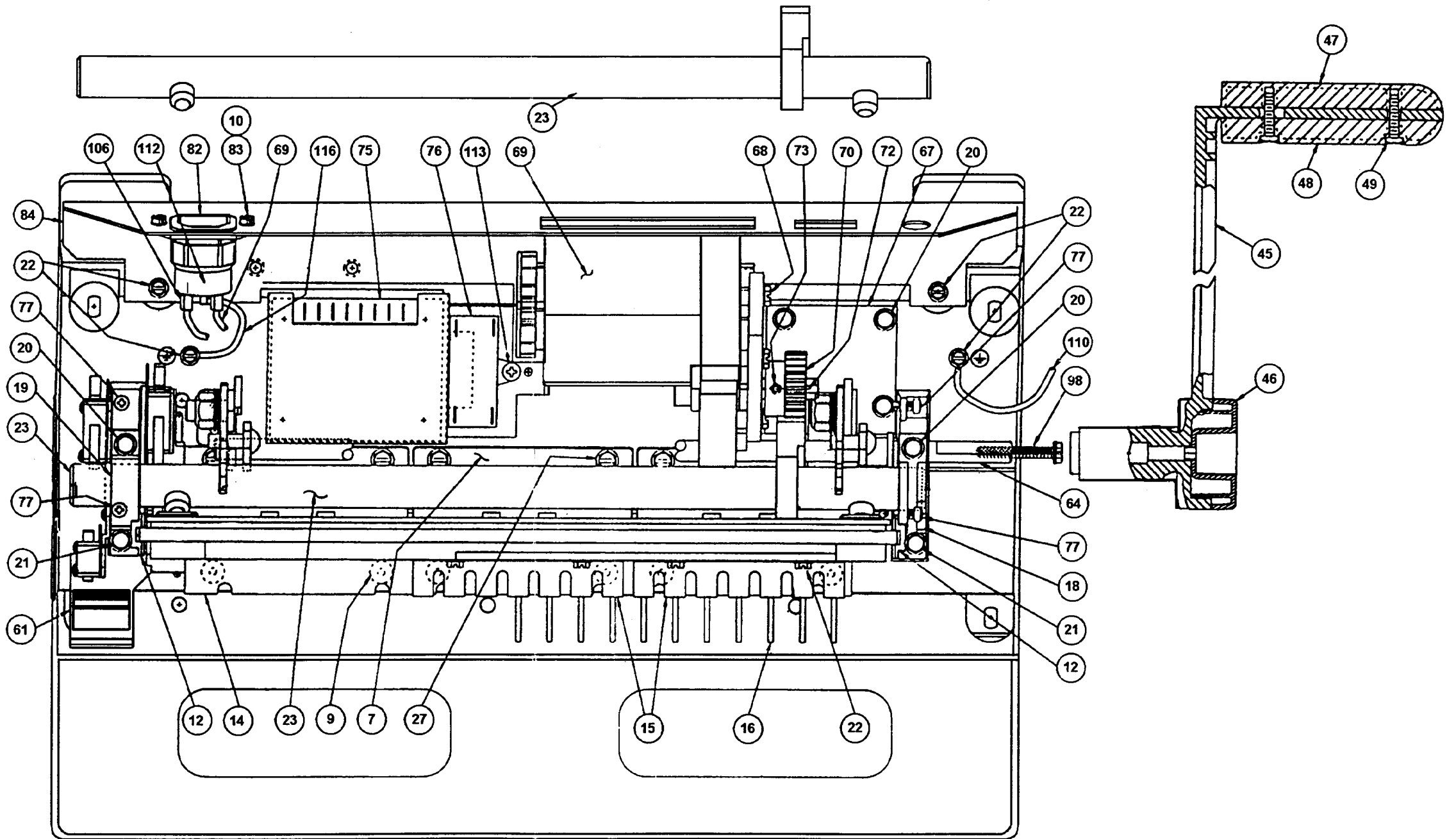
FIG. 5





EXPLODED TOP VIEW OF SWITCH ASSEMBLIES ON LEFT SIDE FRAME

FIG. 6



ITEM	PART NO.	DESCRIPTION	QUANTITY 115 VOLT	QUANTITY 230 VOLT
43	1901204	SCREW, 6-18x5/16 THRD ROL PAN HD	1	1
45	7700840	HANDLE	1	1
46	7700240	CAP, HANDLE	1	1
47	7700233	UPPER HANDLE GRIP	1	1
48	7700234	LOWER HANDLE GRIP	1	1
49	1901206	SCREW, 8-16x3/4 THRD ROLL PAN HD	2	2
50	7700435	SELECTOR PIN COVER	1	1
51	7700440	BINDER SIZE SLIDE	1	1
52	7700230	BINDER SIZE LABEL	1	1
53	1152140	O - RING	1	1
54	7700235	EDGE GUIDE	1	1
55	7700637	BUTTON, EDGE GUIDE (GREEN)	1	1
56	1152141	SPRING, EDGE GUIDE	1	1
57	7700248	GUIDE DETENT	1	1
58	1932505	RETAINING RING	1	1
59	1931046	CABLE CLAMP (POST)	1	1
60	7700834	POST	2	2
61	7700640	SLIDE, BACK GAUGE CNTL (GRN)	1	1
62	1101994	BACK GAUGE RIBBON SPRING	1	1
63	1152012	BACK GAUGE BAR (DIECAST)	1	1
64	7700857	BINDING SHAFT WELD ASSY	1	1
65	1952009	FLANGE BEARING, BRONZE	1	1
66	1952221	BEARING, BRONZE	1	1
67	7700430	MOTOR MOUNG	1	1
68	1907322	SCREW, 8-32x1/2 IND HEX SLTD HD SEMS	4	4
69	7700431	A.C. GEARMOTOR W/BRAKE & LEAD ASSY	1	
	7701031	A.C. GEARMOTOR W/BRAKE & LEAD ASSY		1
70	1156037	GEAR SPUR PINION, 25 TOOTH	1	1
71	7700231	SUPPLY BIN COVER	1	1
72	1852815	KEY, 1/8 X 1/8 X 3/4	1	1
73	1900026	SET SCREW, 10-32 x 3/8"	1	1
75	7700633	P.C. BOARD ASSY	1	
	1951003	PC BOARD SUPPORT (NOT SHOWN)	4	
	7700432	PC BOARD SHIELD (NOT SHOWN)	1	
	7700730	P.C. BOARD ASSY		1
	1951003	PC BOARD SUPPORT (NOT SHOWN)		4
	7700432	PC BOARD SHIELD (NOT SHOWN)		1
76	6205005	CAPACITOR (15uf)	1	
	6205003	CAPACITOR (4uf) EUROPE & SWITZERLAN		1
	6205008	CAPACITOR (3.5uf) UK & AUSTRALIA		1
77	1907701	SCREW, 8-32x3/8 FILL HD TAPPING	4	4
78	7700833	PUNCH ACTUATOR	1	1
79	1932507	RETAINING RING	1	1
81	6178013	SPRING	1	1
82	1132289	CONNECTOR, POWER CORD	1	1
83	1907301	SCREW, 6-32x3/8 IND HEX SLT HD SEMS	2	2
84	7701047	ELECTRICAL PANEL	1	1
87	7700632	SWITCH (PUNCH & DRIVE SHAFT)	2	2
88	1122005	INSULATOR, SWITCH	3	3

ITEM	PART NO.	DESCRIPTION	QUANTITY 115 VOLT	QUANTITY 230 VOLT
89	7700642	BRACKET, PUNCH SWITCH	1	1
90	7700634	BRACKET, SWITCH ADJUSTMENT	1	1
91	1902821	SCREW, 4-40x1/2 PAN HD MACH	3	3
92	1907812	SCREW, 4-40x1/4 PAN HD TAPPING	3	3
93	1925129	WASHER, NO. 4 FLAT	2	2
94	7700643	SWITCH (PRESSURE BAR)	1	1
95	1128310	NUT PLATE	1	1
96	1902870	SCREW 4-40x1-3/16" PAN HD MACH	2	2
97	1907828	SCREW, 4-40x3/4 PAN HD TAPPING	1	1
98	1907403	SCREW, 10-32x1-3/8 IND HEX SLT HD S	1	1
99	7700836	TRAY, BINDING SUPPLY	1	1