

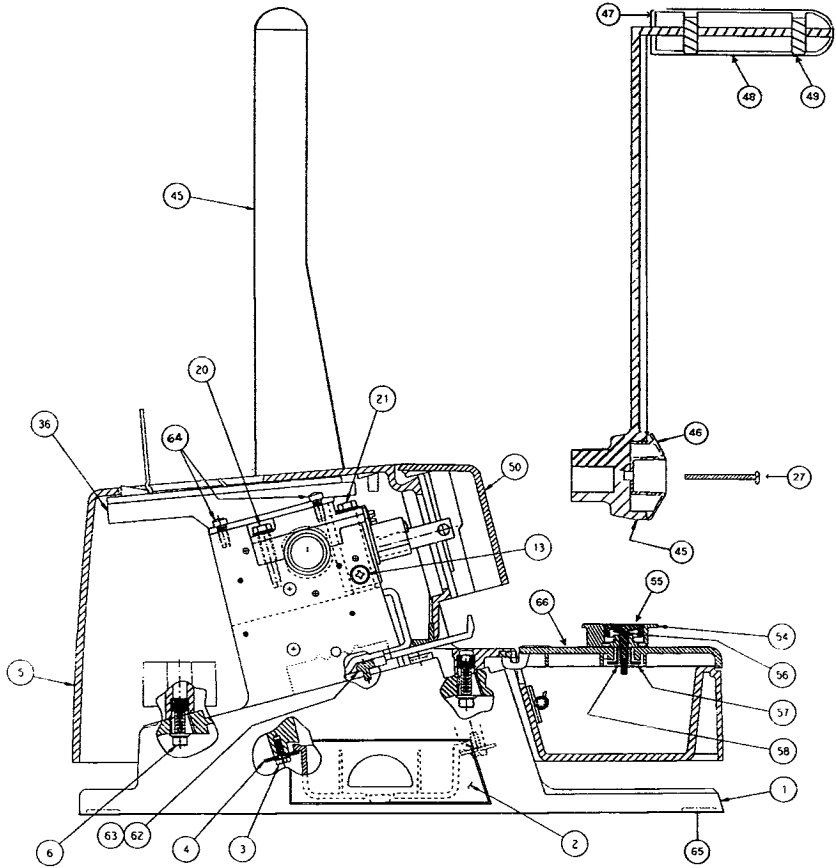


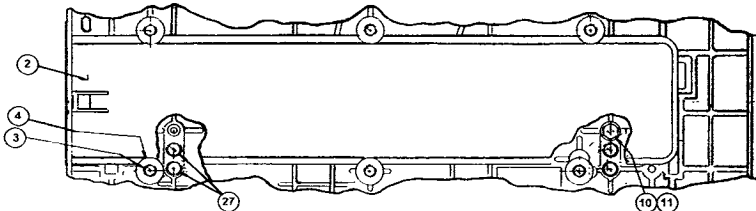
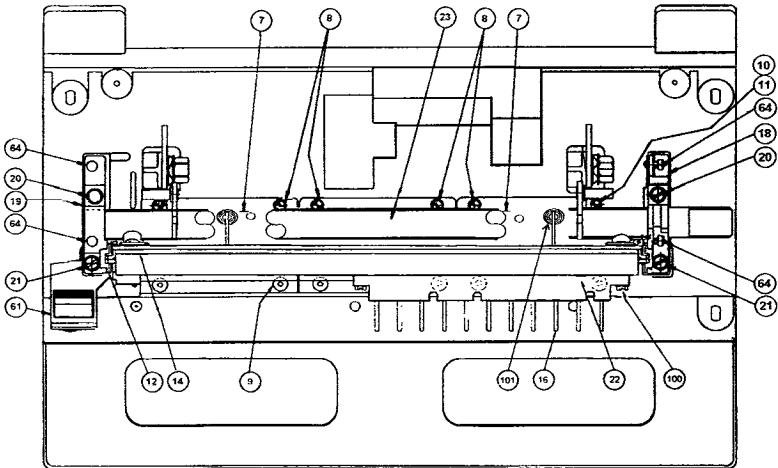
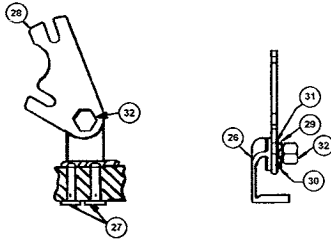
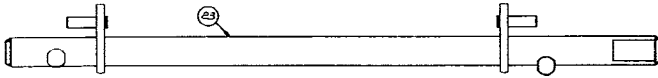
# **IMAGEMAKER 2000-2**

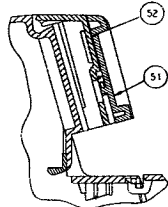
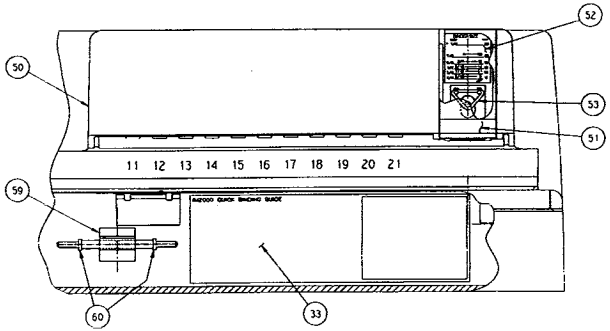
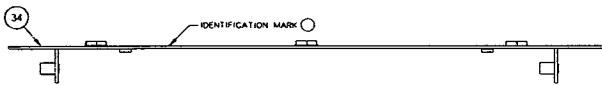
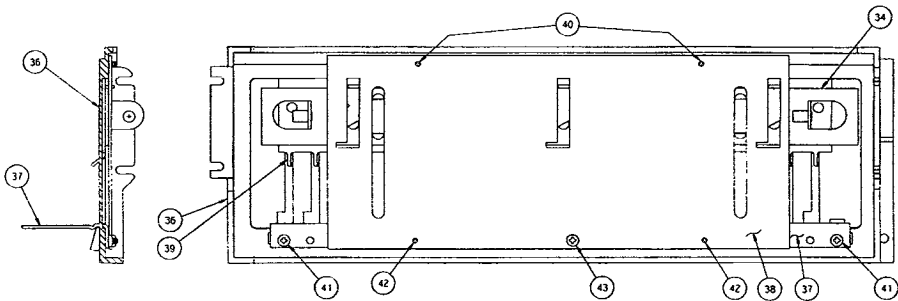
## **Parts List**



GBC IS AN ACCO BRANDS COMPANY







ITEM	PART NO.	DESCRIPTION	QUANTITY	
			IM1000-1	IM2000-2
1	7700061	BASE, DIE CAST	1	1
2	7700041	CHIP TRAY	1	1
3	1907202	SCREW, 6-32x3/8 SLTD HEX SEMS TAP	6	6
4	1925101	WASHER, FLAT NO 6	6	6
5	7700048	UPPER HOUSING ASSY		1
	7700242	UPPER HOUSING ASSY	1	
6	1911001	SCREW, 10-32x3/4 MACH CREST CUP S	4	4
7	7700250	DIE ASSY	3	3
	7700057	DIE ASSY	3	3
8	1907404	SCREW 10-32 X 3/4 IND HEX SLTD HD W/SEMS	5	5
9	1900632	SCREW, 10-32x9/16 FLAT HD CAP	6	6
10	1926822	LOCK NUT, 10-32	1	1
11	1907400	SCREW, 10-32x1 1/4 IND HEX SLT HD SEMS	1	1
12	7700844	SLIDE BEARING	2	2
13	1911601	SCREW, 8-32x5/16 SEMS TAPPING	2	2
14	7700249	PRESSURE BAR ASSY	1	1
15	1152010	DETENT SPRING	1	1
16	7700044	SELECTOR PIN		11
	7700045	SELECTOR PIN	2	
17	7700039	BEARING, DRIVE SHAFT	2	2
18	7700037	BEARING CAP, RIGHT	1	1
19	7700038	BEARING CAP, LEFT	1	1
20	1907103	SCREW, 10-32x11/16 HEX HD SEMS TAP	2	2
21	1907102	SCREW, 10-32x11/16 HEX HD SEMS TAP	2	2
22	7700052	GUIDE, SELECTOR PIN	1	1
23	7700050	DRIVE SHAFT ASSY	1	1
26	1152030	ACTUATOR BRACKET	2	2
27	1907406	SCREW, 10-32x1 IND HEX SLT FLNG	5	5
28	1103412	DOUBLE YOKE BLANK	2	2
29	1925113	WASHER, FLAT .385x3/4x.024"	2	2
30	1926507	WASHER, SPRING 3/8" I.D.	2	2
31	1953519	THRUST BEARING	2	2
32	1932301	LOCK NUT, 3/8-24	2	2
33	7700246	INSTRUCTIONAL DECAL - IM2000		1
34	1132390	SLIDE BAR ASSY	1	1
35	1131165	SLIDE DRIVE BUTTON	2	2
36	7700047	BINDER FRAME	1	1
37	1152132	COMB	1	1
38	7700245	GUIDE PLATE	1	1
39	1101997	HOOK SLIDE	1	1
40	1907805	SCREW, 6-32x1/4 PAN HD TAPPING	2	2
41	1901202	SCREW, 6-18x1/4 THRD ROL PAN HD	2	2
42	1907803	SCREW, 6-32x3/8 PAN HD TAPPING	2	2
43	1901204	SCREW, 6-18x5/16 THRD ROL PAN HD	1	1
45	7700237	HANDLE	1	1
46	7700240	CAP, HANDLE	1	1
47	7700233	UPPER HANDLE GRIP	1	1

ITEM	PART NO.	DESCRIPTION	QUANTITY	
			IM1000-1	IM2000-2
48	7700234	LOWER HANDLE GRIP	1	1
49	1901206	SCREW, 8-16x3/4 THRD ROLL PAN HD	2	2
50	7700241	SELECTOR PIN COVER		1
51	1152108	BINDER SIZE SLIDE		1
52	7700230	BINDER SIZE LABEL		1
53	1152140	O - RING		1
54	7700235	EDGE GUIDE		1
	7700035	EDGE GUIDE DECAL (IM1000 ONLY)	1	
55	7700236	BUTTON, EDGE GUIDE		1
56	1152141	SPRING, EDGE GUIDE		1
57	7700248	GUIDE DETENT		1
58	1932505	RETAINING RING		1
59	1931046	CABLE CLAMP (POST)		1
60	7700834	POST		2
61	7700244	BACK GAUGE CONTROL SLIDE ASSY		1
62	1101994	BACK GAUGE RIBBON SPRING		1
63	1152012	BACK GAUGE BAR		1
64	1907701	SCREW 8-32 X 3/8 FIL HD THD CUT		4
65	1136626	RUBBER FOOT	4	4
66	7700231	BIN COVER		1
100	1912002	SCREW 8-32 X 3/4 SLT HEX WSH HD SEMS	2	2
101	7700042	SPRING, CUP	2	2