



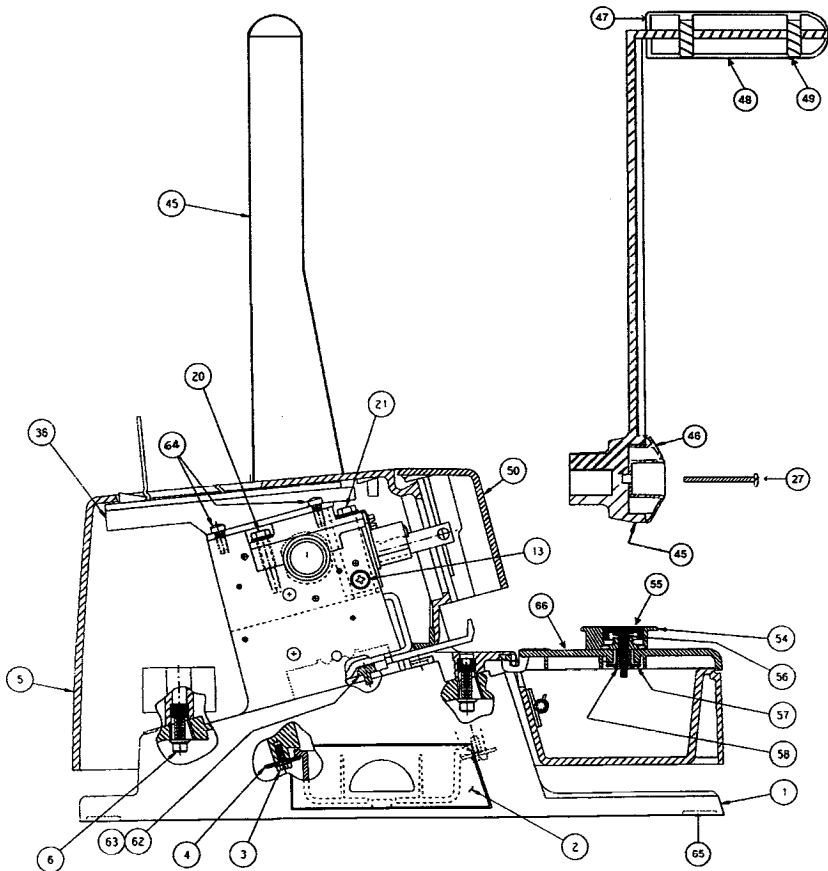
# **IMAGEMAKER 2000-1**

## **Parts List**

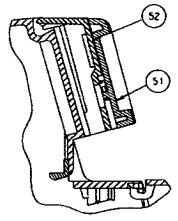
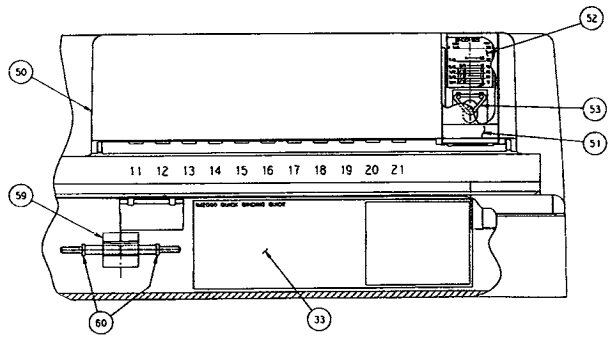
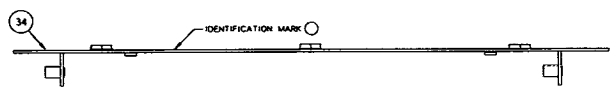
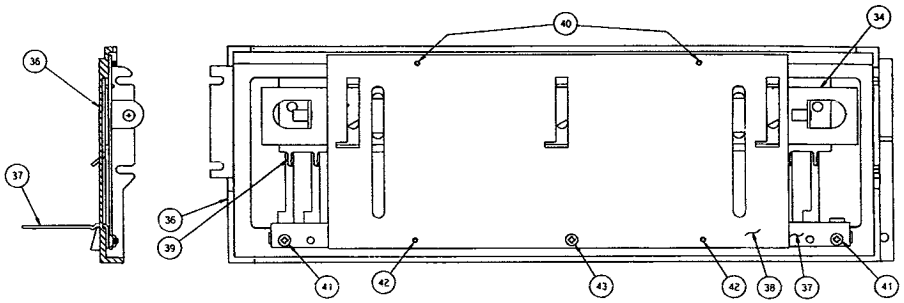


GBC IS AN ACCO BRANDS COMPANY

IM2000-1







ITEM NUMBER	PART NUMBER	DESCRIPTION	QUANTITY	
			IM1000	IM2000-1
1	7700061	BASE, DIE CAST	1	1
2	7700041	CHIP TRAY	1	1
3	1907202	SCREW 6-32 X 3/8" SLTD. HEX WASH HD TAP	6	6
4	1925101	FLATWASHER #6	6	6
5	7700048	UPPER HOUSING ASSY	1	
	7700242	UPPER HOUSING ASSY		1
6	1911001	SCREW 10-32 X 1/4 MACH CREST CUP SEMS	4	4
7	1152027	DIE ASSY	3	3
	1929201	ROLL PIN, FIXED BACK GAUGE (IM1000-1 ONLY)	6	
8	1907404	SCREW 10-32 X 1/4 IND HEX SLTD HD W/SEMS	5	5
9	1900632	SCREW 10-32 X 9/16 FLAT HD CAP	6	6
10	1926822	LOCKNUT 10-32 SERRATED FLANGE	1	1
11	1907400	SCREW 10-32 X 1 1/4 IND HEX SLT HD W/SEMS	1	1
12	7700844	SLIDE BEARING	2	2
13	1911601	SCREW 8-32 X 5/16 THD ROLL PAN HD	2	2
14	7700644	PRESSURE BAR ASSY	1	1
15	1152010	DETENT SPRING	2	2
16	1152138	SELECTOR PIN		11
	7700832	SELECTOR PIN SHORT (INTERNAL)	9	
	7700036	SELECTOR PIN W/CAP	2	
17	7700039	BEARING DRIVESHAFT	2	2
18	7700037	BEARING CAP RIGHT	1	1
19	7700038	BEARING CAP LEFT	1	1
20	1907103	SCREW 10-32 X 1 HEX HD SEMS TAP	2	2
21	1907102	SCREW 10-32 X 11/16 HEX HD SEMS TAP	2	2
22	1907201	SCREW 8-32 X 3/8 SLTD HEX WASH HD TAP	4	4
23	1152779	DRIVE SHAFT ASSY	1	1
24	1131110	GROVE PIN	2	2
25	1131171	BINDING ACTUATOR PIN	2	2
26	1152030	ACTUATOR BRACKET	2	2
27	1907406	SCREW 10-32 X 1 IND HEX SLT FLNG HD W/SEMS	5	5
28	1103412	DOUBLE YOKE BLANK	2	2
29	1925113	WASHER FLAT .385 X 1/4 X .024	2	2
30	1926507	WASHER SPRING 3/8 ID	2	2
31	1953519	THRUST BEARING	2	2
32	1932301	LOCKNUT 3/8-24	2	2
33	7700246	INSTRUCTIONAL DECAL IM2000		1
34	1132390	SLIDE BAR	1	1
35	1131165	SLIDE DRIVE BUTTON	2	2
36	7700047	BINDER FRAME	1	1
37	1152132	COMB	1	1
38	7700245	GUIDE PLATE	1	1
39	1101997	HOOK SLIDE	1	1
40	1907805	SCREW 6-32 X 1/4 PAN HD THD CUT	2	2
41	1901202	SCREW 6-18 X 1/4 THD ROL PAN HD	2	2
42	1907803	SCREW 6-32 X 3/8 J PAN HD THD CUT	2	2
43	1901204	SCREW 6-18 X 5/16 THD ROL PAN HD	2	2
45	7700237	HANDLE	1	1
46	7700240	CAP	1	1

ITEM NUMBER	PART NUMBER	DESCRIPTION	QUANTITY	
			IM1000	IM2000-1
47	7700233	UPPER HAND GRIP	1	1
48	7700234	LOWER HAND GRIP	1	1
49	1901206	SCREW 8-16 X ¾ THD ROL PAN HD	2	2
50	7700241	SELECTOR PIN COVER		1
51	1152108	BINDER SIZE SLIDE		1
52	7700230	BINDER SIZE LABEL		1
53	1152140	O - RING		1
54	7700235	EDGE GUIDE		1
	7700035	EDGE GUIDE DECAL (IM1000 ONLY)	1	
55	7700236	BUTTON EDGE GUIDE		1
56	1152141	SPRING EDGE GUIDE		1
57	7700248	GUIDE DETENT		1
58	1932505	RETAINING RING		1
59	1931046	CABLE CLAMP		1
60	7700834	POST		2
61	7700244	BACKGAGE CONTROL SLIDE ASSY		1
62	1101994	BACKGAGE RIBBON SPRING		1
63	1152012	BACKGAGE BAR		1
64	1907701	SCREW 8-32 X 3/8 FIL HD THD CUT		4
65	1136626	FOOT RUBBER	4	4
66	7700231	BIN COVER		1