



# **IMAGEMAKER 2000**

## **Parts List**



GBC IS AN ACCO BRANDS COMPANY

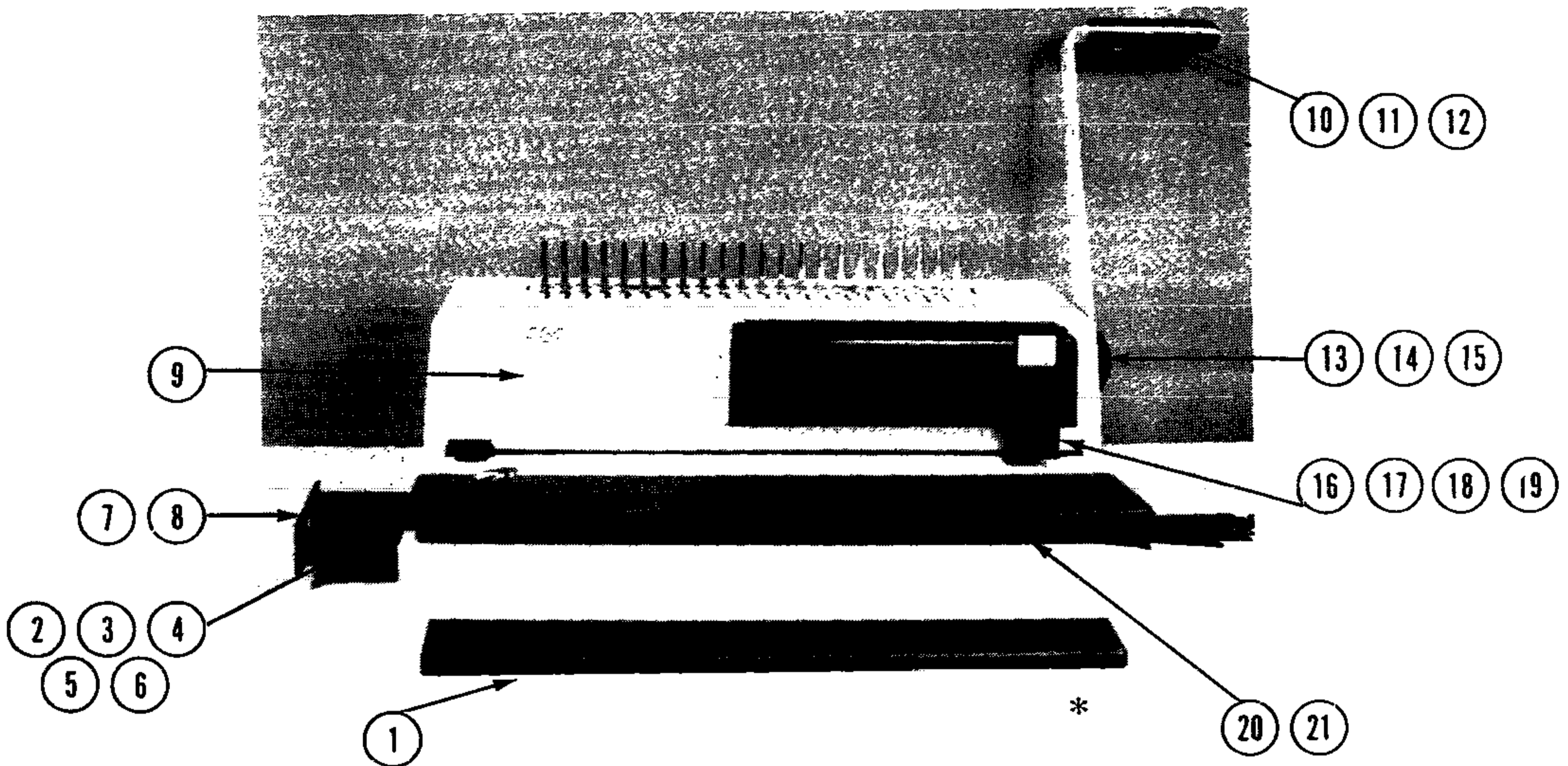
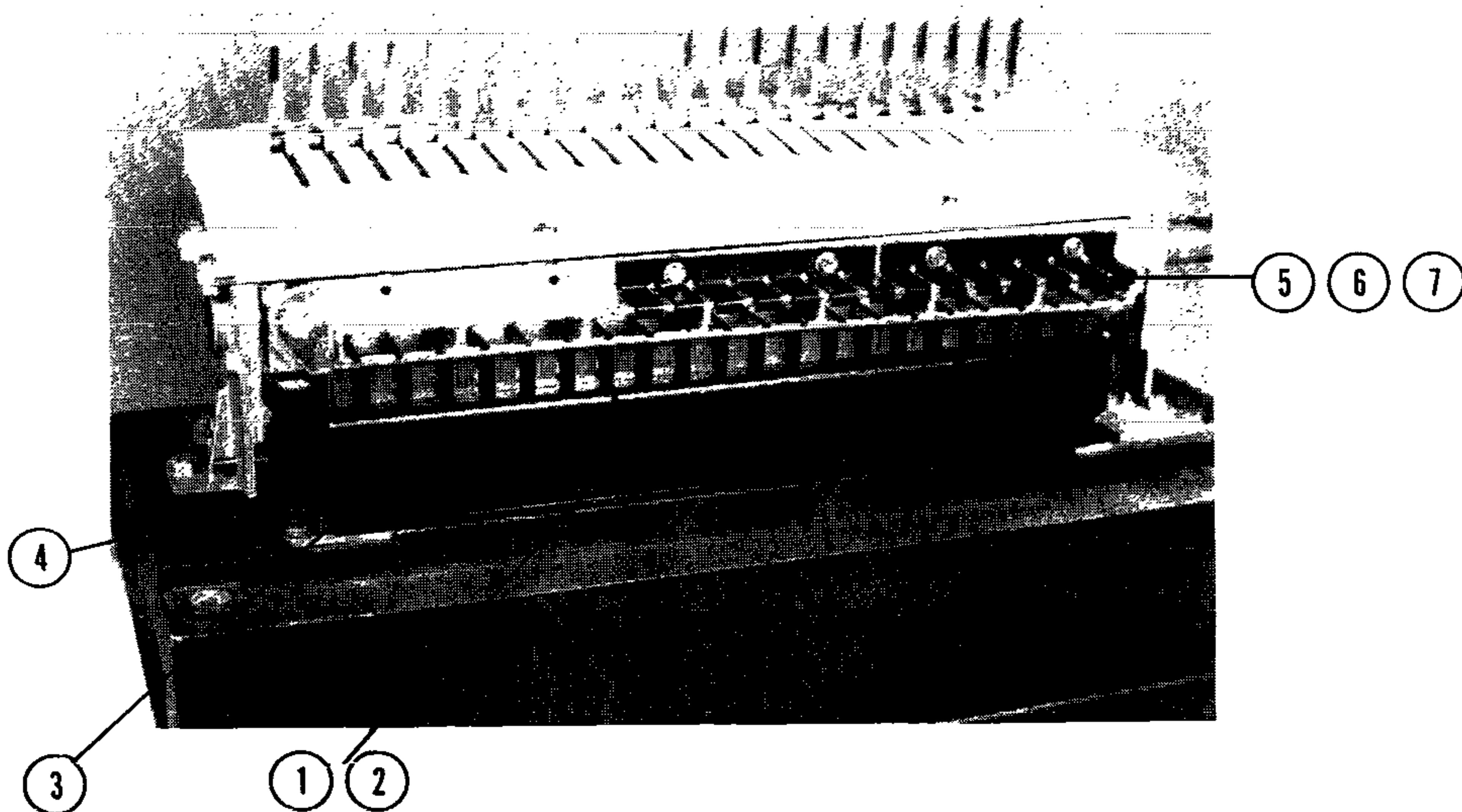


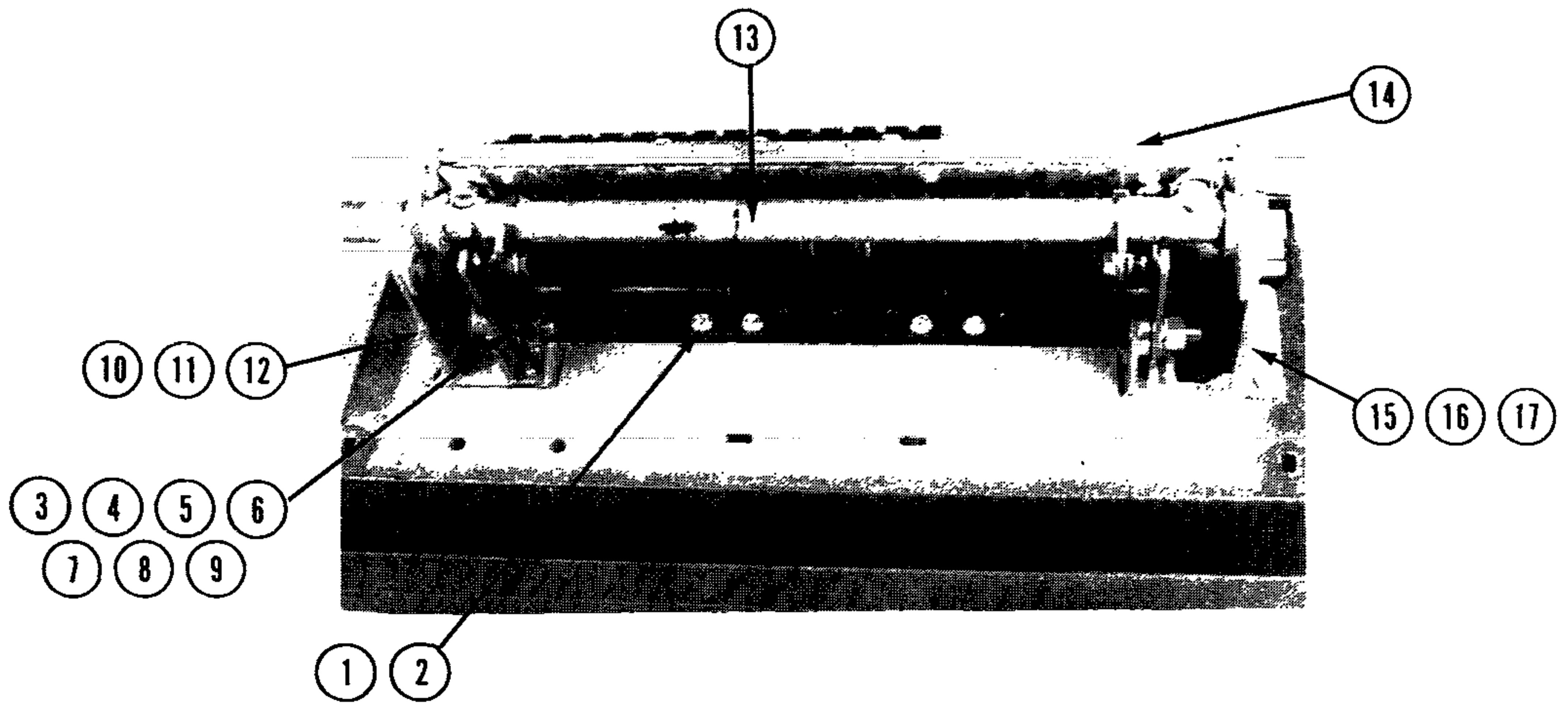
FIGURE 8.1

ITEM	PART	DESCRIPTION	QUA
1	1152131	BASE (OBS SEE NSB 137A)	1
2	1152104	EDGE GUIDE	1
3	1152127	EDGE GUIDE BUTTON	1
4	7700248	EDGE GUIDE DETENT	1
5	1152141	EDGE GUIDE SPRING	1
6	1928903	SPEED NUT	1
7	1152122	CHIP TRAY	1
8	1136612	CHIP TRAY GUIDE	1
9	7700242	UPPER HOUSING ASSY	1
9	1911000	SCREW, CAP, SEMS, 8-32 X 1/2"	4
10	7700233	UPPER GRIP	1
11	7700234	LOWER GRIP	1
12	1901201	SCREW	2
13	1152777	HANDLE	1
14	1900571	SCREW, HEX, 10-32 X 1"	1
15	1152120	CAP	1
16	1152107	SELECTOR PIN COVER	1
17	1152108	BINDER SIZE SLIDE	1
18	1152139	BINDER INDEX LABEL	1
19	1152140	BINDER INDEX SPRING	1
20	1152103	SUPPLY BIN COVER	1
21	7700246	INSTRUCTION DECAL, DOMESTIC	1
21	1152153	INSTRUCTION DECAL, HOLLAND	1
21	1152154	INSTRUCTION DECAL, FRANCE	1
21	1152155	INSTRUCTION DECAL, GERMAN	1
21	1152156	INSTRUCTION DECAL, ITALY	1
*	1136626	RUBBER FOOT (NOT SHOWN)	4



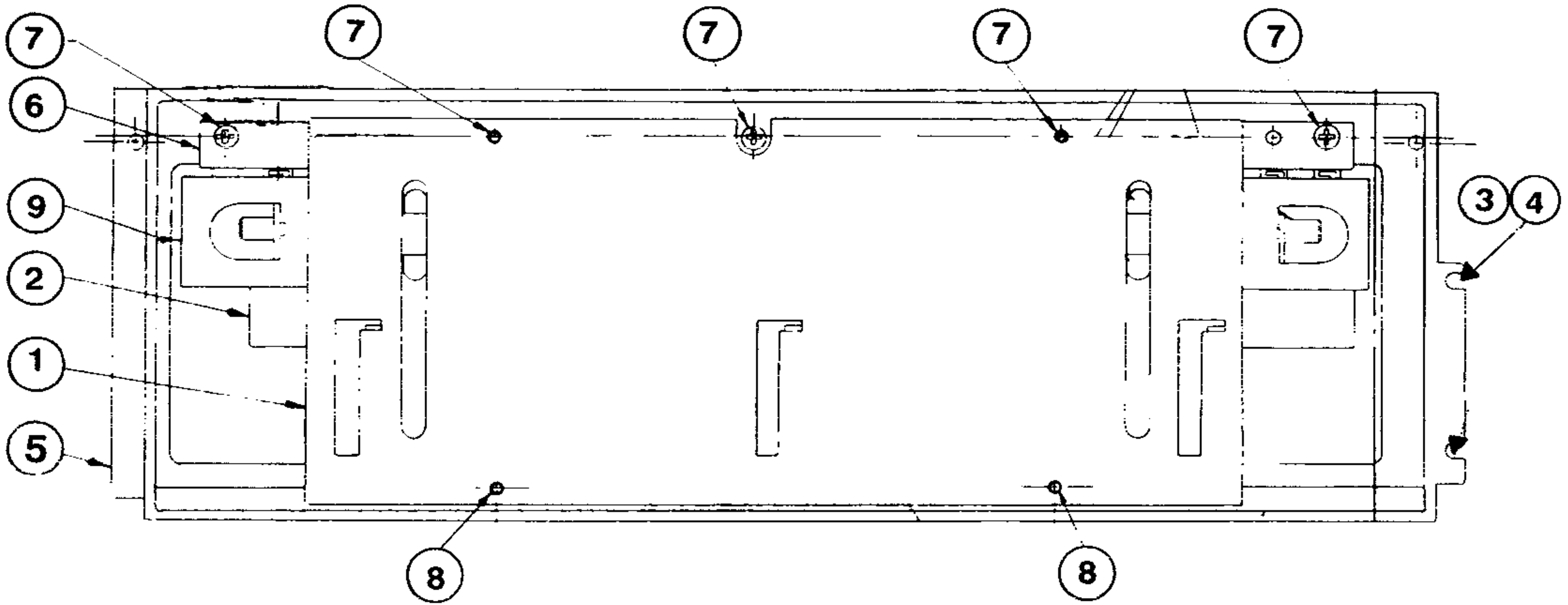
**FIGURE 8.2**

ITEM	PART	DESCRIPTION	QUA
1	1900624	SCREW,FLAT HEAD, 10-32 X 1-5/8" .....	6
2	1926802	WHIZ NUT, 10-32 .....	6
3	1152027	DIE SECTION (STANDARD) .....	3
4	1152178	BACK GAUGE ADJUSTER .....	1
4	1152147	BACK GAUGE INDEX LABEL .....	1
5	1152020	SELECTOR PIN .....	11
6	1152010	SELECTOR PIN SPRING (DETENT) .....	2
7	1907201	SCREW .....	4



**FIGURE 8.3**

ITEM	PART	DESCRIPTION	QUA
1	1907402	HEX, 10-32 X 1-1/2" .....	6
2	1926822	WHIZ NUT, 10-32 .....	6
3	1152030	BRACKET (RIGHT AND LEFT) .....	2
4	1103412	DOUBLE YOKE.....	2
5	1925113	3/8" FLAT WASHER .....	2
6	1926507	WAVY WASHER .....	2
7	1953519	THRUST BEARING WASHER .....	2
8	1926709	3/8-24 HEX NUT .....	2
9	1907400	SCREW FLANGE HEAD 10-32 x 1-1/4" .....	4
10	1154204	MOUNTING BRACKET, RIGHT .....	1
11	1951925	SCREW, HEX HEAD 1/4-20 X 1-1/4" .....	2
12	1926823	WHIZ NUT 1/4-20.....	2
13	1152779	DRIVE SHAFT.....	1
14	7700644	PRESSURE BAR .....	1
15	1154200	MOUNTING BRACKET, LEFT .....	1
16	1951925	SCREW, HEX HEAD, 1/4-20 .....	2
17	1926823	WHIZ NUT, 1/4-20 .....	2



**FIGURE 8.4**

ITEM	PART	DESCRIPTION	QUA
1	7700245	GUIDE PLATE .....	1
2	1101997	HOOK SLIDE.....	1
* 3	1907322	SCREW, SLOTTED HEX, 8-32 X 1/2" .....	2
* 4	1926802	NUT, HEX KEPS .....	2
5	7700047	BINDER FRAME (TOP COVER) .....	1
6	1152132	COMB.....	1
7	1907805	SCREW, 6-32 X 1/4" .....	5
8	1907201	SCREW FLANGE HEAD HEX 8-32 X 3/8" .....	2
9	1119751	SLIDE BAR ASSY .....	1

\*NOT SHOWN