



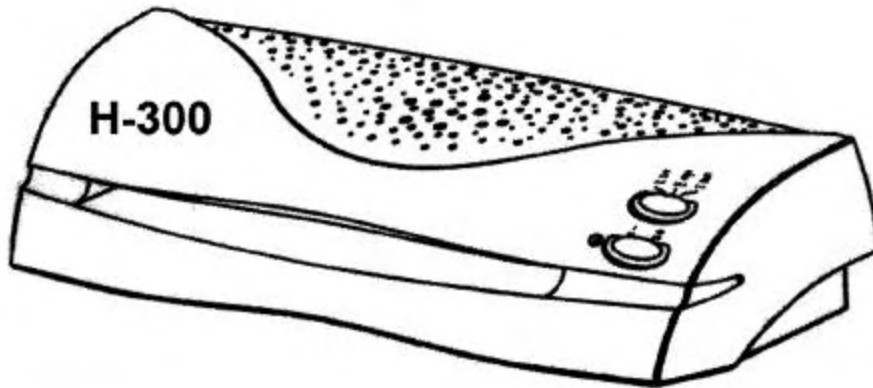
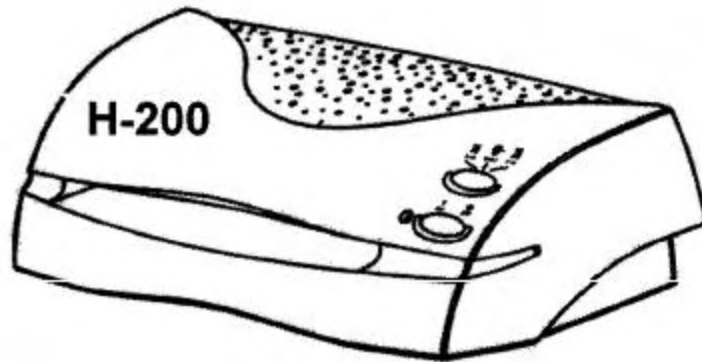
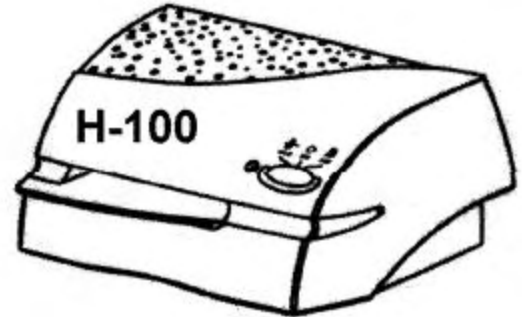
HEATSEAL H100, H200, H300 Parts List



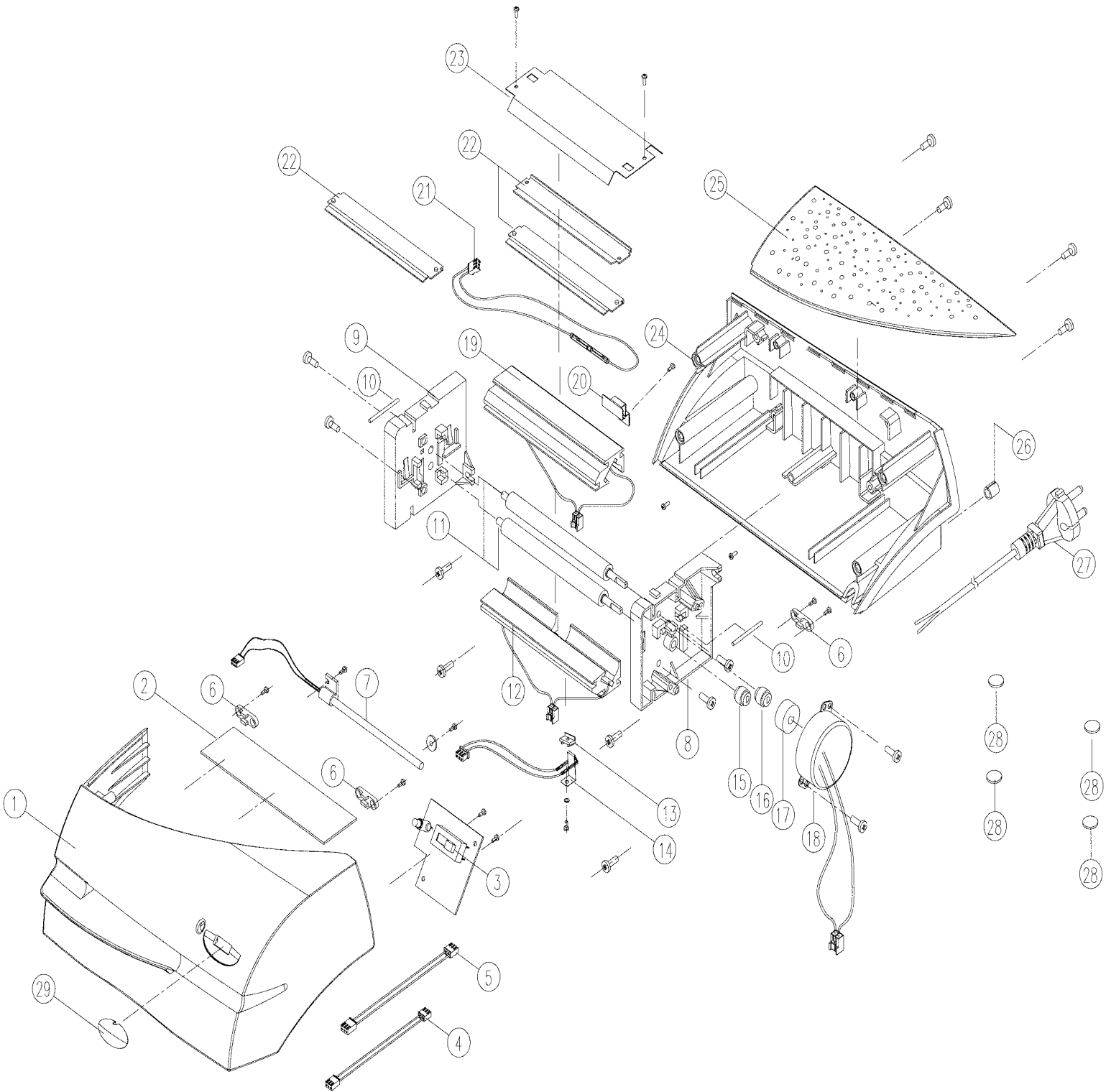
GBC IS AN ACCO BRANDS COMPANY



HEATSEAL PARTS LIST



H-100 PARTS LIST



**H-100
PARTS LIST**

ITEM	PART NUMBER	DESCRIPTION	QTY
1	24300013C	Front Housing	1
2	2A35008C	Main PCB 120V	1
2	2A35001C	Main PCB 230V	1
3	2A35002C	Control PCB	1
4	24700032C	PCB Connecting Wire (AC Link)	1
5	24700033C	PCB Connecting Wire (SWC)	1
6	23600006	Wire Retainer	3
7	2A35017C	LLG Assembly	1
8	24300016C	Right Side Plate	1
9	24300017C	Left Side Plate	1
10	26500003C	Roller Tension Spring	2
11	24400004C	Roller	2
12	2A35010C	Lower Heat Platen Ass'y 120V	1
12	2A35006C	Lower Heat Platen Ass'y 230V	1
13	26300012C	Pad	1
14	2A35007C	NTC Fixture	1
15	26700055	Roller Gear 12 T	1
16	26700054	Roller Gear 12 T	1
17	24300003C	Motor Gear 21 T	1
18	24700014C	Motor 120V	1
18	24700029C	Motor 230V	1
19	2A35009C	Upper Heat Platen Ass'y 120V	1
19	2A35005C	Upper Heat Platen Ass'y 230V	1
20	24500025C	Fuse Fixture	1

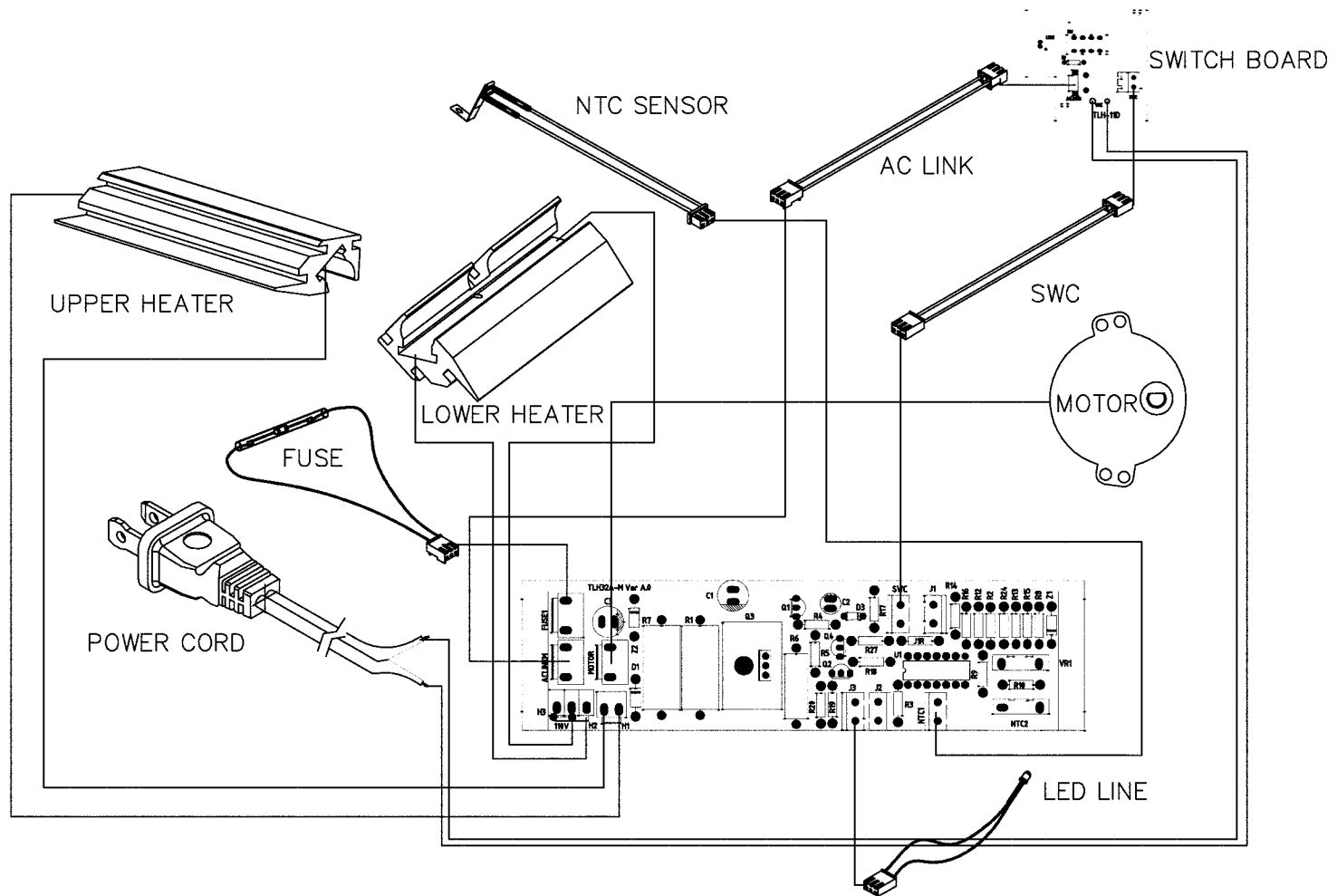
**H-100
PARTS LIST**

P	ART NUMBER	DESCRIPTION	QTY
21	24700053C	Thermal Fuse 120 V	2
21	24700053C	Thermal Fuse 230V	1
22	24500019C	Exit Plate 120V	2
22	24500019C	Exit Plate 230V	3
23	24500020C	Heat Shield	1
24	24300014C	Rear Housing	1
25	24300015C	Top Vent Cover	1
26	26400002C	Power Cord Retainer 120V	1
26	26400003C	Power Cord Retainer 230V	1
27	24100012C	Power Cord, US	1
27	24100032C	Power Cord, Euro	1
27	24100016C	Power Cord, UK	1
27	24100022C	Power Cord, Australia	1
28	26400005C	Rubber Foot	4
29	26300015C	Function Switch Cap	1
30	2A35014C	Starter Kit, 120V	1
30	2A35015C	Starter Kit, 230V	1
31	26200032C	Instruction Manual, 120V	1
31	26200033C	Instruction Manual, 230V	1
32	24200048C	Bubble Bag	1
33	24200033C	Machine Box, 120V	1

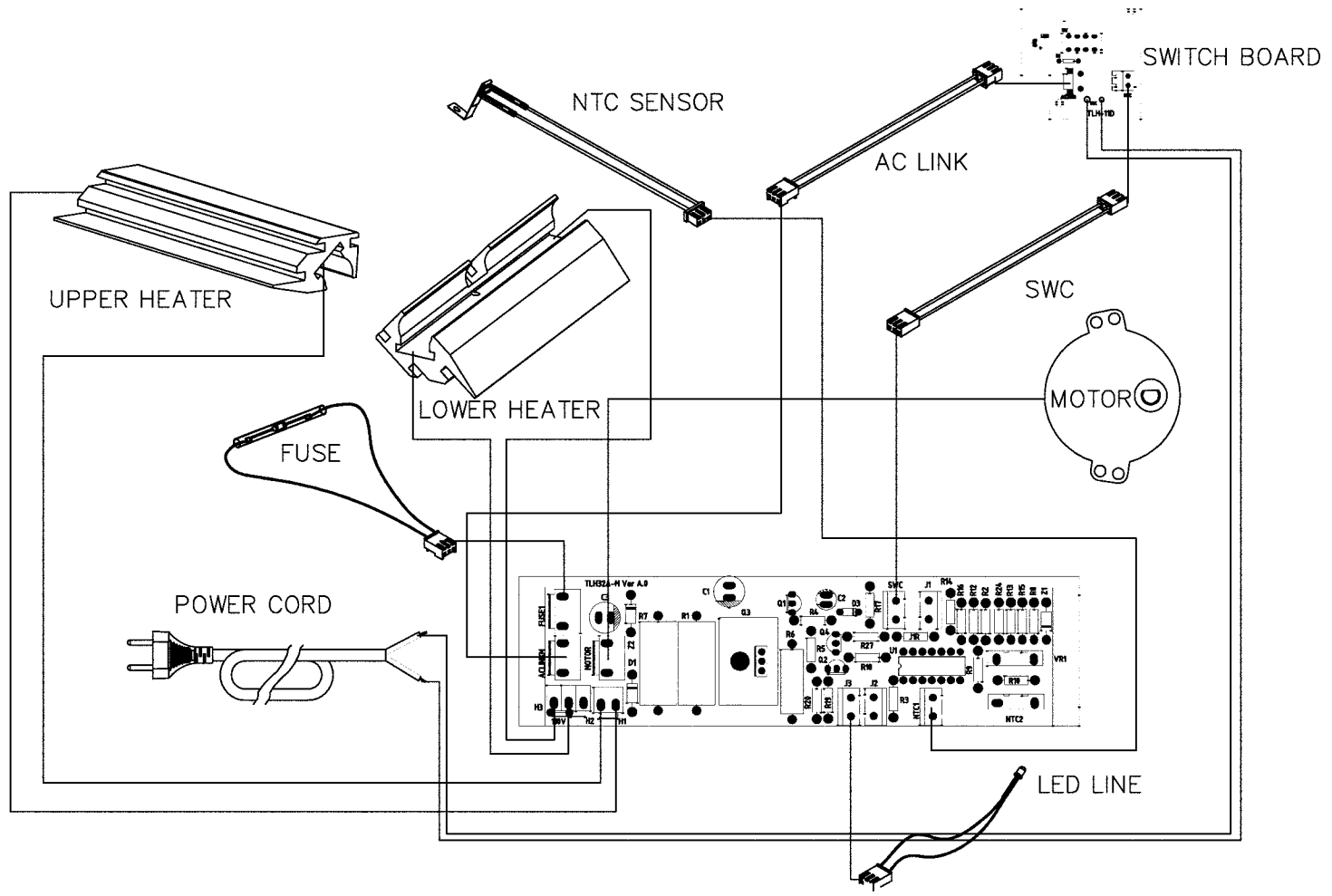
**H-100
PARTS LIST**

33	24200034C	Machine Box, 230V	1
34	24200042C	Master Box	1
35	26200111C	Starburst Label, 120V	1

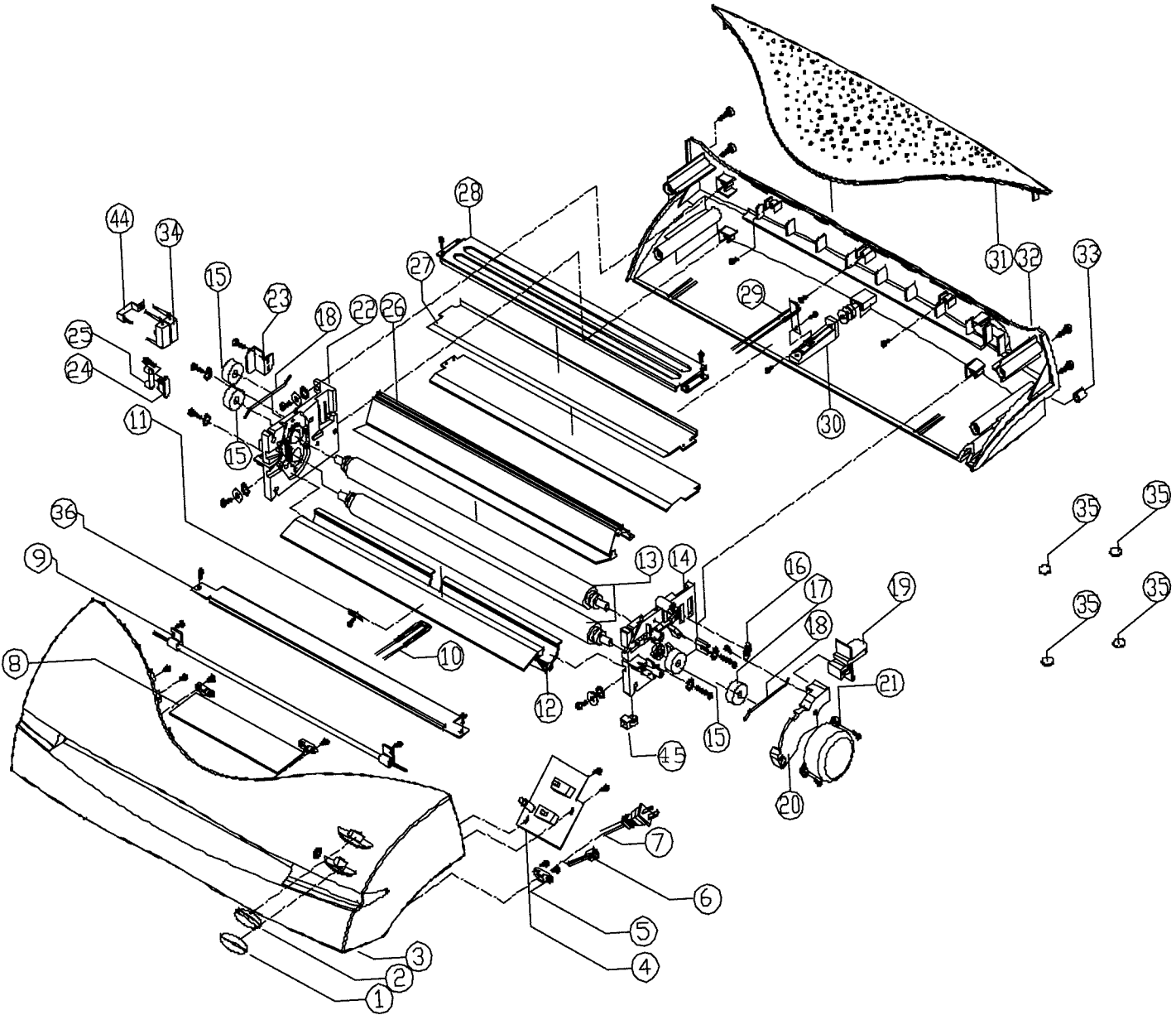
H-100 WIRING DIAGRAM 120V



H-100 WIRING DIAGRAM 230V



H-200
PARTS LIST



**H-200
PARTS LIST**

ITEM	PART NUMBER	DESCRIPTION	QTY
1	26300010C	On/Off Switch Cap	1
2	26300011C	Function Switch Cap	1
3	24300030C	Front Housing DS 95P	1
4	2A36006C	Control PCB, 120V	1
4	2A36016C	Control PCB, 230V	1
5		26300006 WIRERETAINER	
6	24700101	PCB Connecting Wire	1
7	24100013C	Power Cord ,US	1
7	24100030C	Power Cord, Euro	1
7	24100015C	Power Cord ,Swiss	1
7	24100017C	Power Cord ,UK	1
7	24100023C	Power Cord, Australia	1
8	2A360003C	Main PCB 120V	1
8	2A360027C	Main PCB 230V	1
9	2A36017C	LLG Ass'y DS 95P	1
10	2A36004C	NTC	1
11	24500015	NTC Fixture	1
12	2A36031C	Lower Heat Platen Ass'y, 120V	1
12	2A36002C	Lower Heat Platen Ass'y, 230V	1
13	24400001C	Roller, DS 95P	2
14	24300067C	RH Side Plate	1
15	26700056	Roller Gear 18T	3
16	26500004C	Release Button Spring	1
17	24300003C	Motor Gear, 21T	1
18	26500008C	Roller Spring 1.8	2

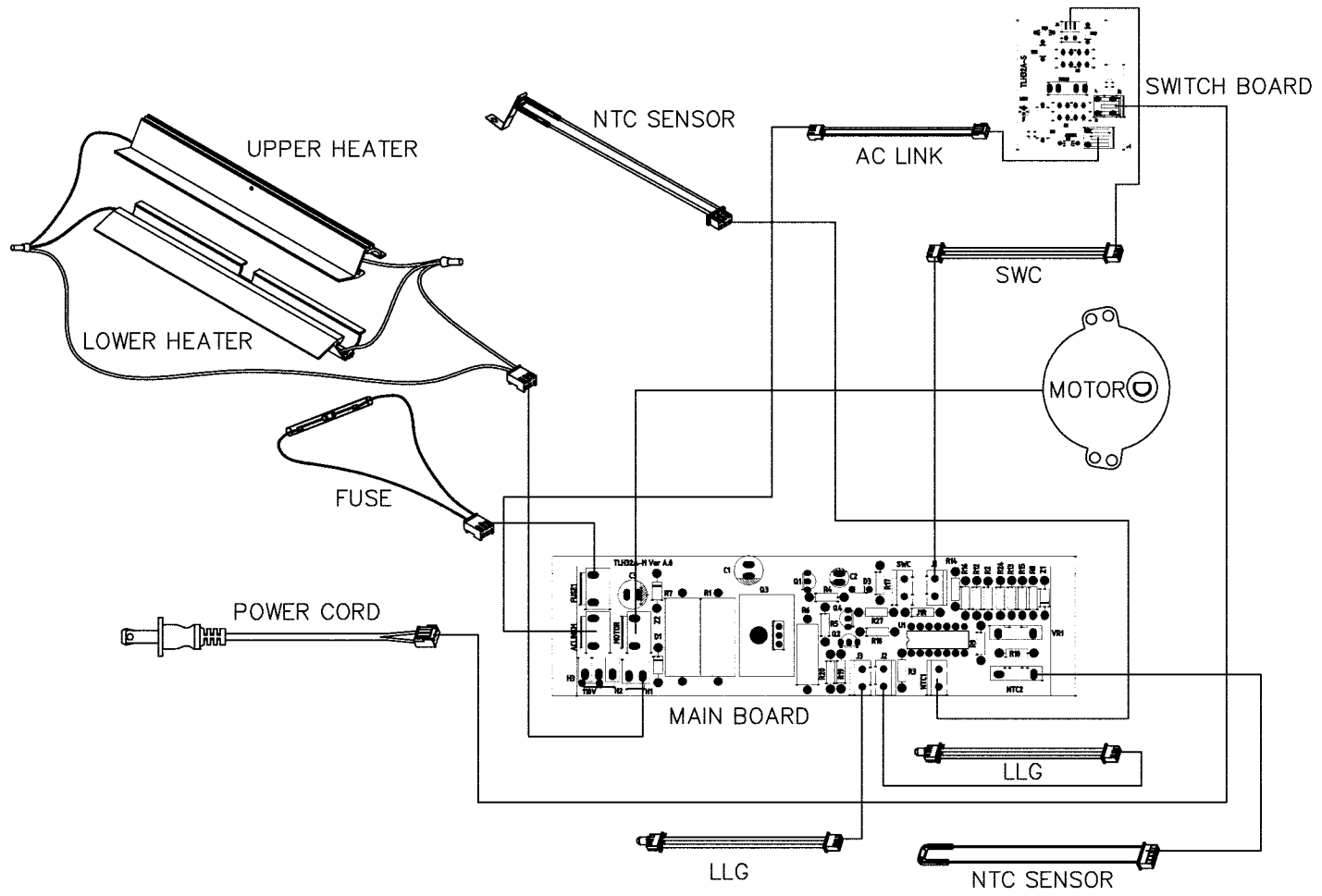
**H-200
PARTS LIST**

ITEM	PART NUMBER	DESCRIPTION	QTY
19	26300004C	Release Button	1
20	26300008C	Clutch	1
21	24700176	Motor, 120V	1
21	24700070C	Motor, 230V	1
22	24300063C	LH Side Plate	1
23	26500001C	Fixture Plate, Gear	1
24	24500009C	Thermal Fuse Fixture	2
25	24700046C	Thermal Fuse UL	2
25	24700018C	Thermal Fuse CE	1
26	2A36030C	Upper Heater Ass'y, DS 95P, 120V	1
26	2A36001C	Upper Heater Ass'y, DS 95P, 230V	1
27	24500060C	Exit Plate DS 95P	2
28	24500008C	Heat Shield DS 95P	1
29	2A37035C	NTC Heat Control	1
30	2670030C	NTC Fixture	1
31	24300029C	Top Vent Cover DS 95P	1
32	24300031C	Rear Housing DS 95P	1
33	26400002C	Fixture Ring, 120V	1
33	26400003C	Fixture Ring, 230V	1
34	24700060C	Resistor, 120V	2
34	24700059C	Resistor, 230V	2
35	26400005C	Rubber Foot	4
36	24500035C	Front Plate, DS 95P	1
37	2A36012C	Starter Kit, 120V	1

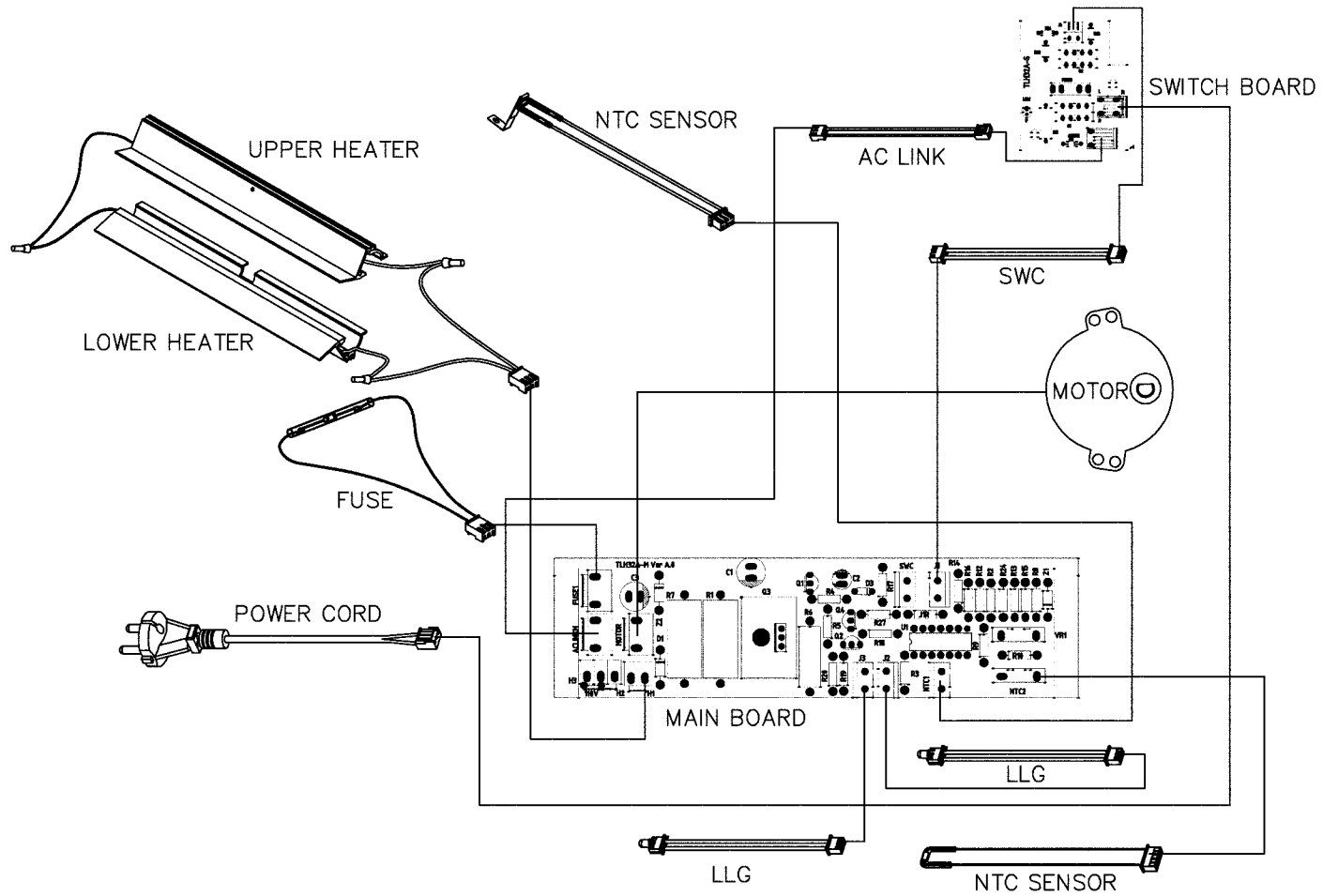
**H-200
PARTS LIST**

ITEM	PART NUMBER	DESCRIPTION	QTY
37	2A36013C	Starter Kit, 120V	1
38	26200032C	Instruction Manual, 120V	1
38	26200033C	Instruction Manual, 230V	1
39	24200050C	Bubble Bag	1
40	24200036C	Machine Box, 120V	1
40	24200037C	Machine Box, 230V	1
41	24200044C	Master Box	1
42	26200111C	Starburst Label, 120V	1
44	26400010C	Resistor Fixture	1
45	24600008C	Rubber Fixture	4

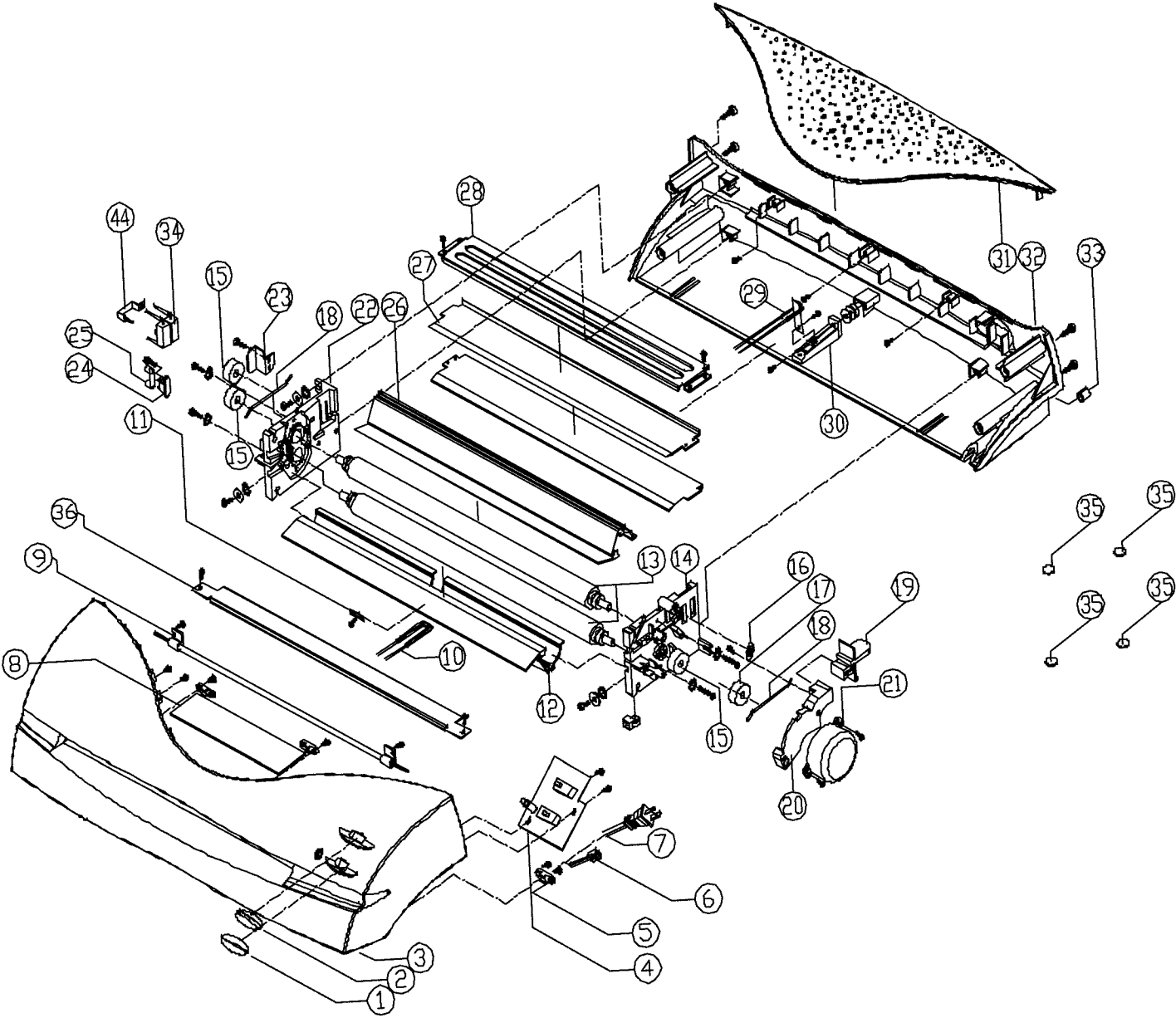
H-200 WIRING DIAGRAM 120V



H-200 WIRING DIAGRAM 230V



H-300
PARTS LIST



**H-300
PARTS LIST**

ITEM	PART NUMBER	DESCRIPTION	QTY
1	26300005C	On/Off Switch Cap	1
2	26300006C	Function Switch Cap	1
3	24300025C	Front Housing DS125P	1
4	2A37022C	Control PCB 120V	1
4	2A37005C	Control PCB 230V	1
5	26300006	Wire Retainer	1
6	24700101	PCB Connecting Wire	1
7	24100013C	Power Cord, US	1
7	24100030C	Power Cord, Euro	1
7	24100017C	Power Cord, UK	1
7	24100023C	Power Cord, Australia	1
7	24100015C	Power Cord, Swiss	1
8	2A37001C	Main PCB 120V	1
8	2A37004C	Main PCB 230V	1
9	2A37019C	LLG Ass'y DS 125P	1
10	24700050C	NTC	1
11	24500015	NTC Fixture	1
12	2A37025C	Lower Heat Platen Ass'y 120V	1
12	2A37003C	Lower Heat Platen Ass'y 230V	1
13	24400008C	Roller DS 125P	2
14	24300066C	Right Side Plate	1
15	24300003C	Roller Gear 21T	3
16	26500004C	Release Button Spring	1
17	26700056	Motor Gear 18T 120V	1

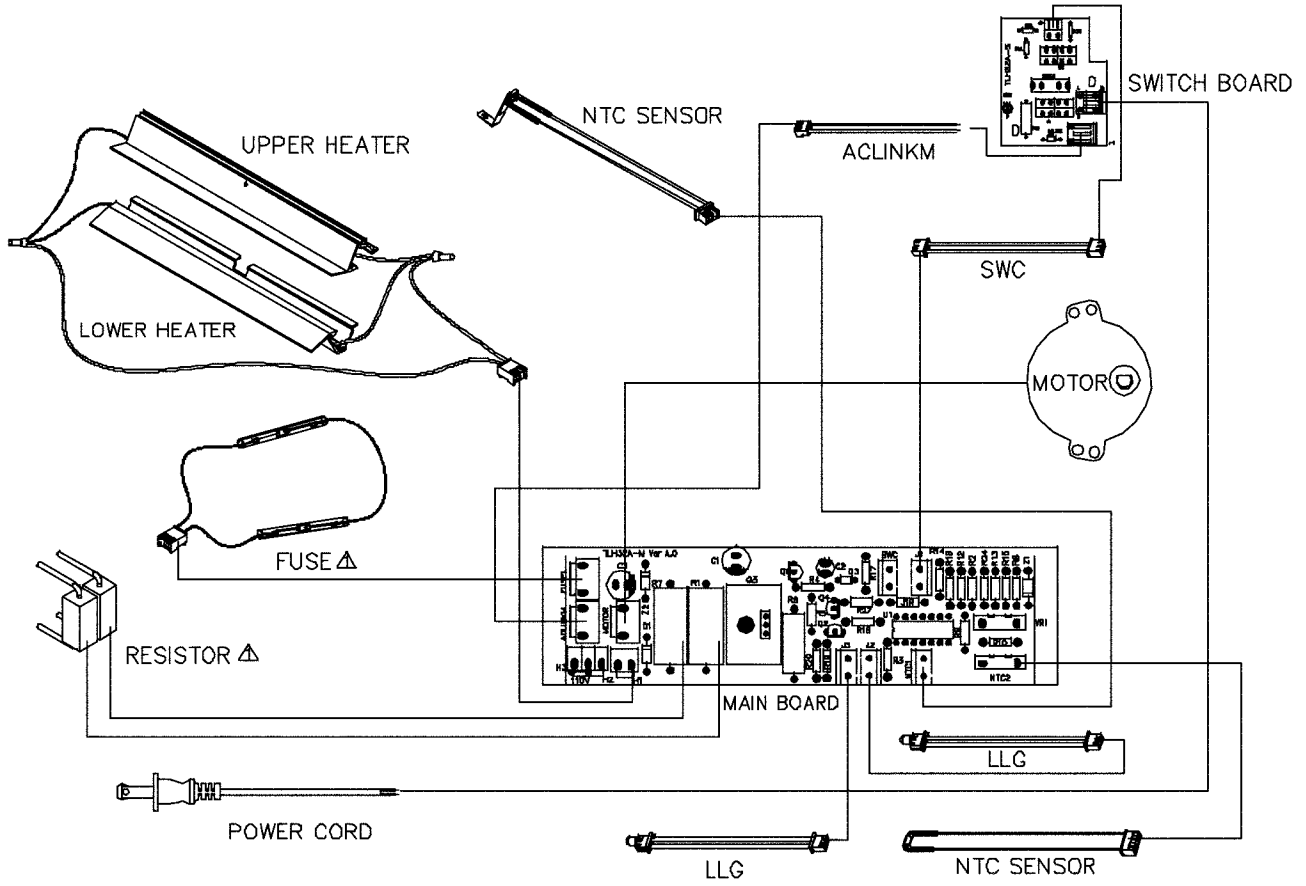
**H-300
PARTS LIST**

ITEM	PART NUMBER	DESCRIPTION	QTY
18	26500008C	Roller Spring 1.8	2
19	26300004C	Release Button	1
20	26300008C	Clutch	1
21	24700176C	Motor 120V	1
21	24700001C	Motor 230V	1
22	24300022C	Left Side Plate	1
23	26500001C	Fixture Plate (gear)	1
24	24500009C	Fuse Fixture	2
25	24700018C	Thermal Fuse 230v	1
25	24700046C	Thermal Fuse 120v	2
26	2A37024C	Upper Heater Ass'y DS125P 120V	1
26	2A37002C	Upper Heater Ass'y DS 125P 230V	1
27	24500033C	Exit Plate DS 125P UL	2
27	24500061C	Exit Plate DS 125P CE	2
28	24500034C	Heat Shield DS125P	1
29	2A37035C	NTC Heat Control	1
30	26300030C	NTC Fixture	1
31	24300024C	Top Vent Cover	1
32	24300026C	Rear Housing DS 125P	1
33	26400002C	Fixture Ring 120V	1
33	26400003C	Fixture Ring 230V	1

**H-300
PARTS LIST**

ITEM	PART NUMBER	DESCRIPTION	QTY
34	24700058C	Resistor 120V	2
34	24700057C	Resistor 230V	2
35	26400005C	Rubber Foot	4
36	24500032C	Feed Plate	1
37	2A37013C	Starter Kit 120V	1
37	2A37014C	Starter Kit 230V	1
38	26200032C	Instruction Manual 120V	1
38	26200033C	Instruction Manual 230V	1
39	24200013C	Box Insert (left)	1
39	24200053C	Box Insert (right)	1
40	24200038C	Machine Box, 120V	1
40	24200039C	Machine Box, 230V	1
41	24200045C	Master Box	1
42	26200111C	Starburst Label, 120V	1
44	26500010C	Resistor Fixture	1

H-300 WIRING DIAGRAM 120V



H-300 WIRING DIAGRAM 230V

