

Engineer Note

Version A.5

H110



TEX YEAR INDUSTRIES INC.

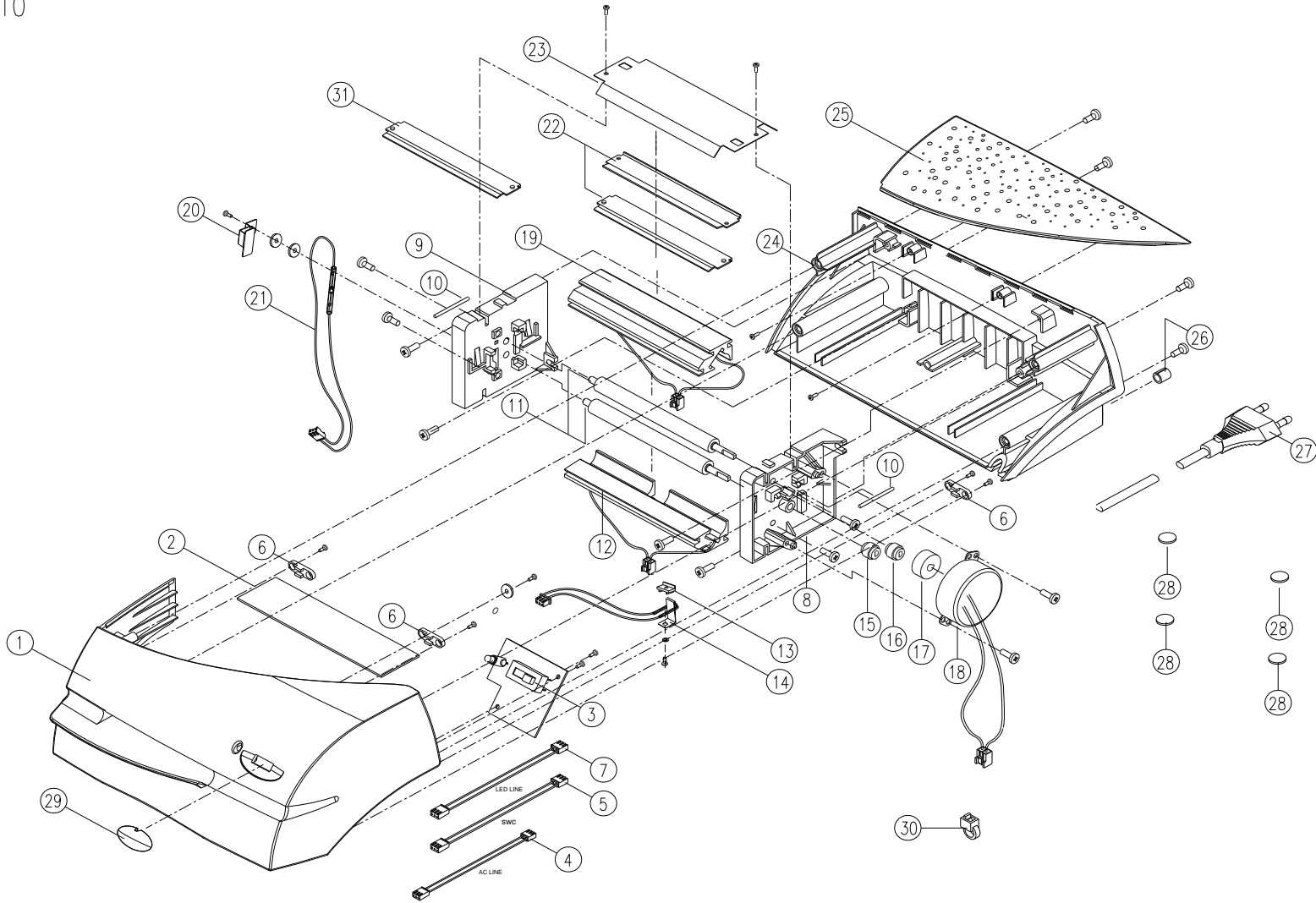
2008/03/04

H110
PARTS LIST

2008/03/04
Version A.5

| No. | DESCRIPTION | PART NUM. | COST | QTY |
|-----|------------------------------|-----------|------|------|
| 1 | FRONT HOUSING | 24300071C | 2.5 | 1 |
| 2 | MAIN PCB 120V | 2A35031C | 3 | 1 |
| 3 | CONTROL PCB | 2A35030C | 1.1 | 1 |
| 4 | PCB CONNECTING WIRE(AC LINK) | 24700032C | 0.1 | 1 |
| 5 | PCB CONNECTING WIRE(SWC) | 24700033C | 0.1 | 1 |
| 6 | WIRE RETAINER | 26300006 | 0.02 | 3 |
| 7 | PCB CONNECTING WIRE(LED) | 24700623C | 0.1 | 1 |
| 8 | RIGHT SIDE PLATE | 24300016C | 0.5 | 1 |
| 9 | LEFT SIDE PLATE | 24300017C | 0.5 | 1 |
| 10 | ROLLER TENSION SPRING | 26500003C | 0.1 | 2 |
| 11 | ROLLER | 24400004C | 1.2 | 2 |
| 12 | LOWER HEAT PLATEN ASS'Y 120V | 2A35034C | 2.55 | 1 |
| 13 | PAD | 26300012C | 0.1 | 1 |
| 14 | NTC (ROLLER) | 24700120C | 0.8 | 1 |
| 15 | ROLLER GEAR 12T | 24700319C | 0.1 | 1 |
| 16 | ROLLER GEAR 12T | 24700329C | 0.1 | 1 |
| 17 | MOTOR GEAR 21T | 24700326C | 0.1 | 1 |
| 18 | MOTOR 120V | 24700014C | 2 | 1 |
| 19 | UPPER HEAT PLATEN ASS'Y | 2A35033C | 1.65 | 1 |
| 20 | FUSE FIXTURE | 24500066C | 0.1 | 2 |
| 21 | THHERMAL FUSE 120V | 24700660C | 0.6 | 1 |
| 22 | EXIT PLATE | 24500084C | 0.35 | 2 |
| 23 | HEAT SHIELD | 24500020C | 0.35 | 1 |
| 24 | REAR HOUSING | 24300014C | 2 | 1 |
| 25 | TOP VENT COVER | 24300015C | 0.7 | 1 |
| 26 | FIXTURE RING 120V | 26400002C | 0.1 | 1 |
| 27 | POWER CORD,US | 24100137C | 2.5 | 1 |
| 28 | PUBBER FOOT | 26400005C | 0.01 | 4 |
| 29 | FUNCTION SWITCH CAP | 26300015C | 0.23 | 1 |
| 30 | CABLE TIE | 26700008C | - - | 5 |
| 31 | Starter Kit(with flysheet) | 2A35014C | 0.91 | 1 |
| 32 | Instruction Manual | 26200208C | 0.66 | 1 |
| 33 | Bubble bag | 24200048C | 0.04 | 1 |
| 34 | Machine Box | 24200119C | 1.3 | 1 |
| 35 | Master Box | 24200042C | 0.8 | 0.25 |
| 36 | Starburst label | 26200111C | 0.05 | 1 |

H110



W210-01A 1.0



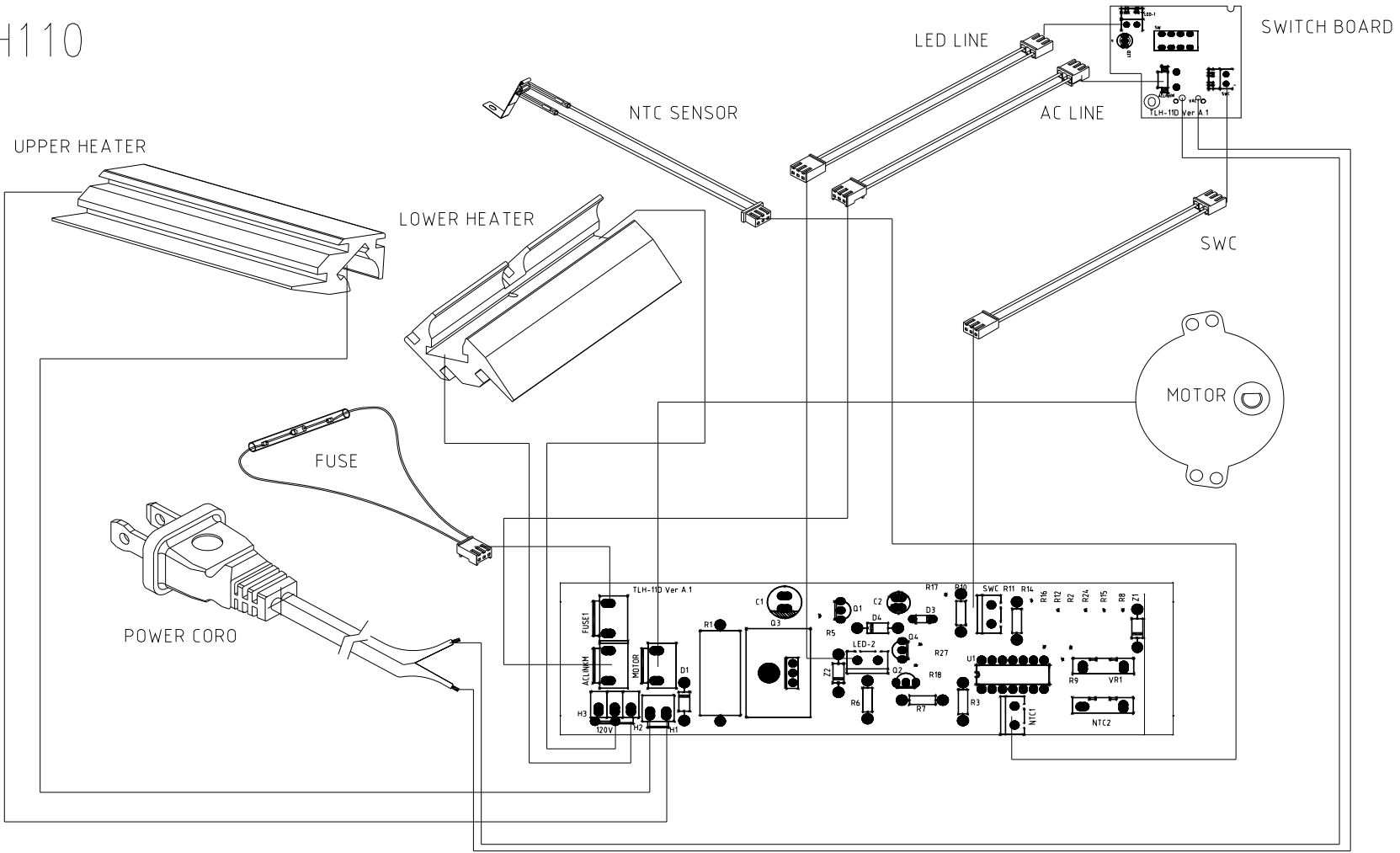
TEX YEAR INDUSTRIES INC.

| REV. | DESCRIPTION | CHANGE BY | APPD. BY | MODEL | H110 | TITLE | Extended Drawing | DWG. NO. | H110 |
|------|-------------|-----------|----------|------------|------|----------|------------------|----------|------|
| | | | | DRAWND BY | Mei | SIZE | | MATERIAL | N/A |
| | | | | DESIGND BY | | APPD. BY | | VERSION | A.5 |



SCALE N/A UNIT N/A

H110



W210-01A 1.0

| | | | | | | | | | | | | | | |
|--|--------------------------|-------|-----|------|------|-------------|-----------|----------|------------|------|----------|----------------------|----------|------|
| | TEX YEAR INDUSTRIES INC. | | | | REV. | DESCRIPTION | CHANGE BY | APPD. BY | MODEL | H110 | TITLE | Electrical Schematic | DWG. NO. | H110 |
| | | SCALE | N/A | UNIT | N/A | | | | DRAWND BY | Mei | SIZE | | MATERIAL | N/A |
| | | | | | | | | | DESIGND BY | | APPD. BY | | VERSION | A.3 |