

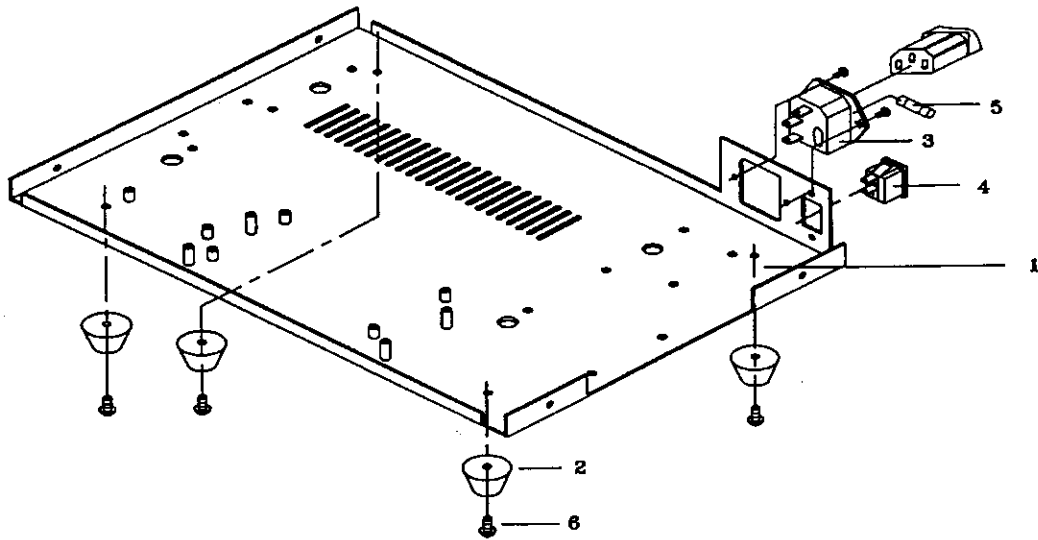


GBC 13 PRO Parts List



GBC IS AN ACCO BRANDS COMPANY

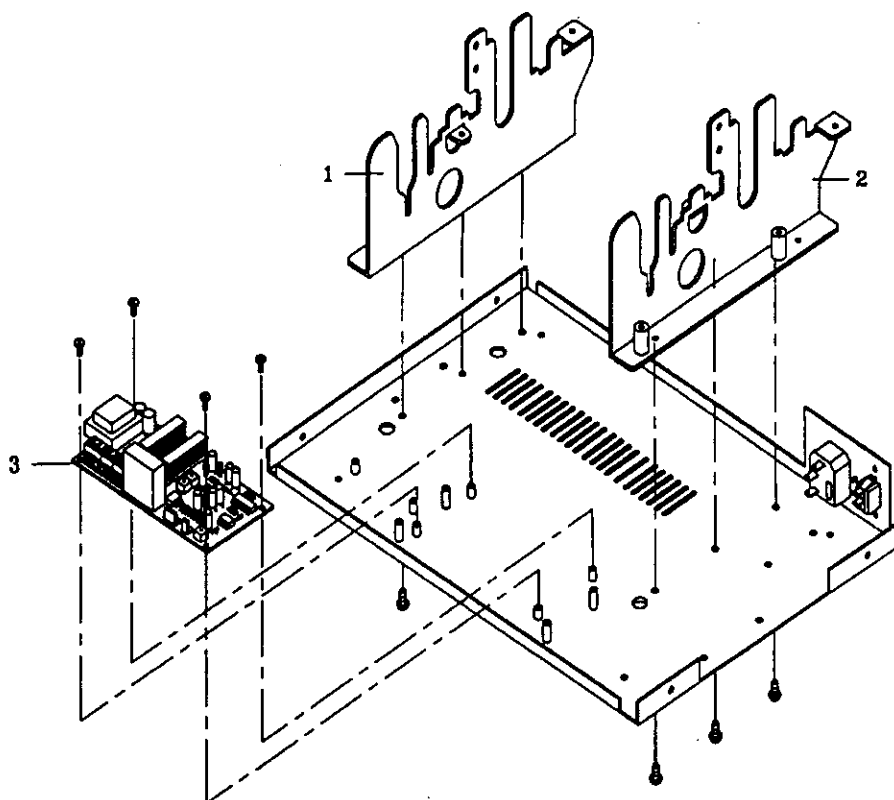
8.0 Parts
Figure 8.1



ITEM NO.	PART NO.	DESCRIPTION	QTY.
1	601170201	BOTTOM PLATE	1
2	703010102	RUBBER FOOT	4
3	704110103	INLET SOCKET (FUSE HOLDER)	1
4	704090111	POWER SWITCH	1
5	704031014	FUSE, 10 amp (120V)	1
5	704130118	FUSE, 4amp (230V/240V)	1

8.0 PARTS

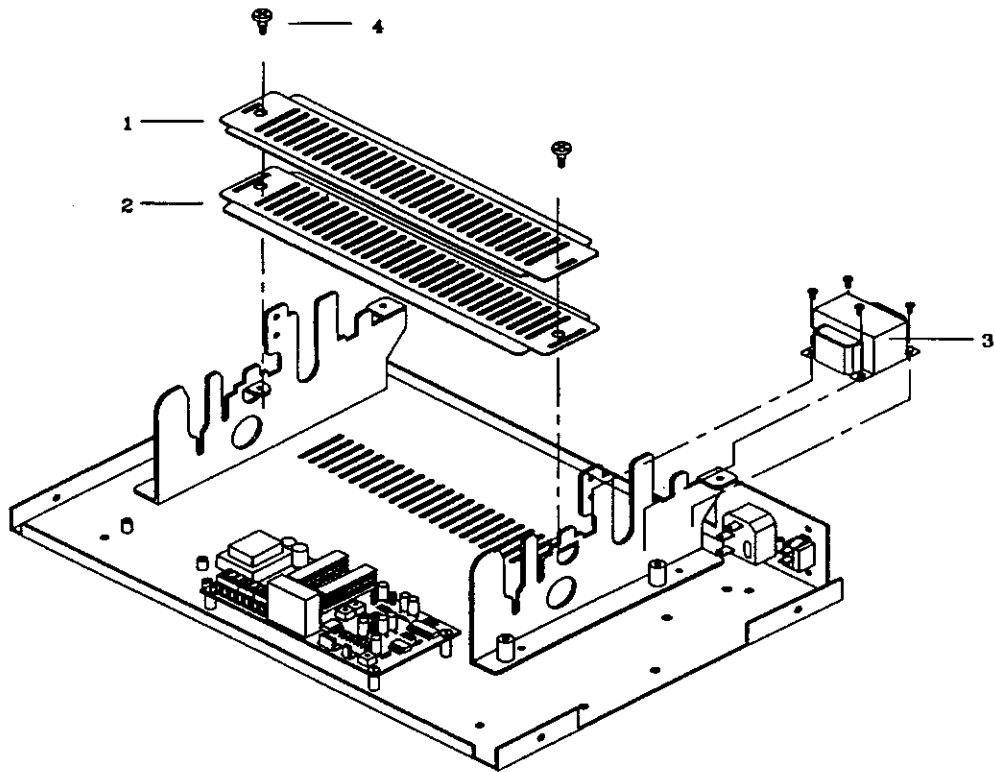
Figure 8.2



ITEM NO.	PART NO.	DESCRIPTION	QTY.
1	601170202	SIDE PLATE (LH)	1
2	601170203	SIDE PLATE (RH)	1
3	706011603	MAIN PCB	1

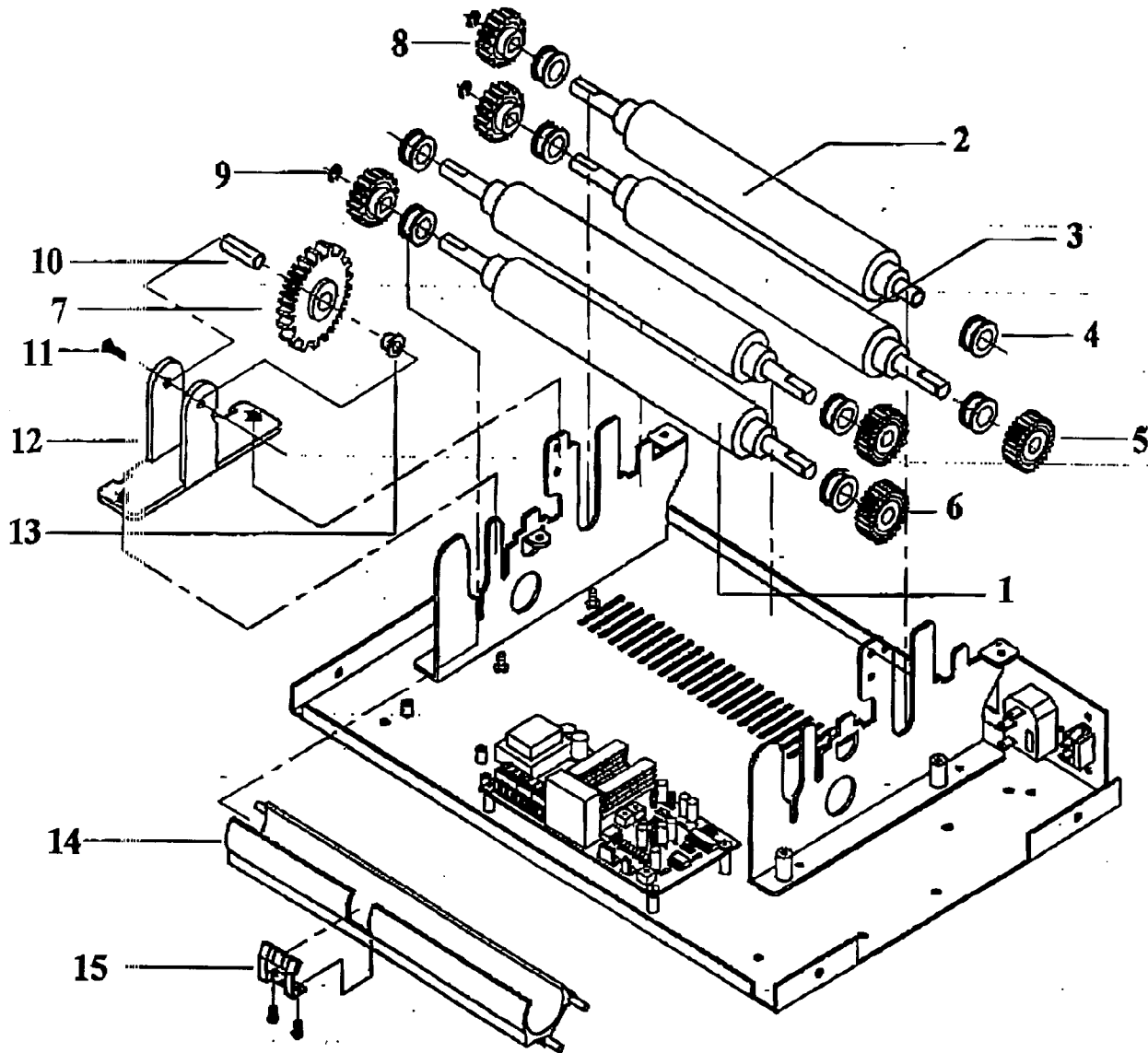
8.0 PARTS

Figure 8.3



ITEM NO.	PART NO.	DESCRIPTION	QTY.
1	601150165	FILM GUIDE SCREEN (R)	1
2	601150166	FILM GUIDE SCREEN (L)	1
3	610010903	TRANSFORMER (230V/240V)	1
3	610010902	TRANSFORMER (120V)	1
4	701108126	SHOULDER SCREW	2

8.0 PARTS
Figure 8.4

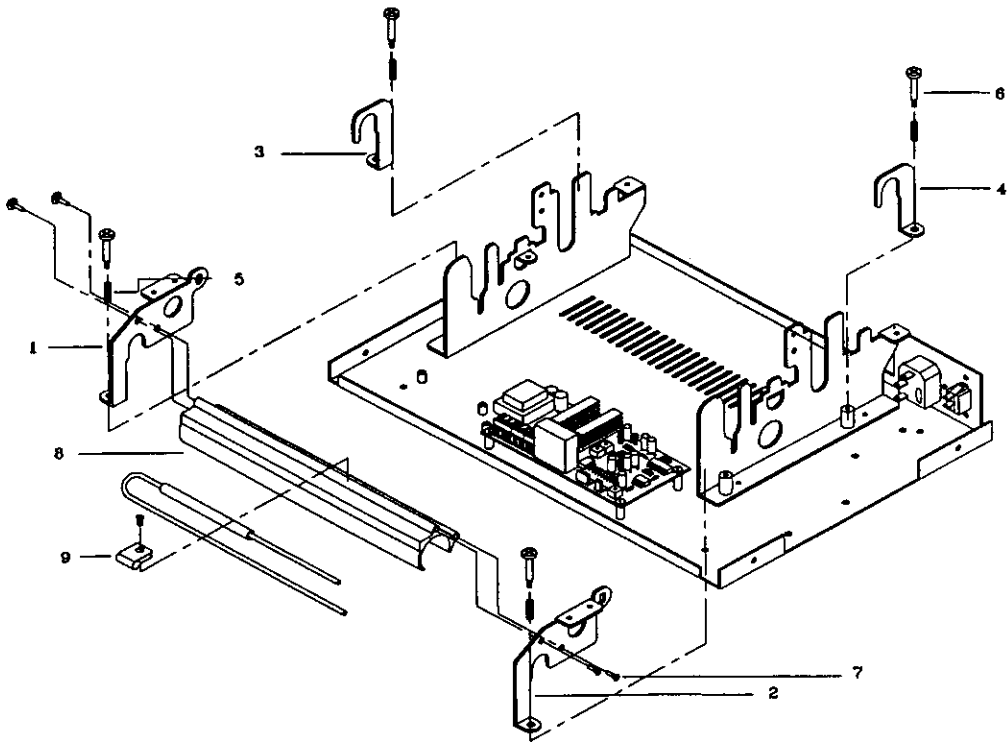


8.0 PARTS
Figure 8.4

ITEM NO.	PART NO.	DESCRIPTION	QTY.
1	607010246	FRONT ROLLER	2
2	607010148	REAR ROLLER (Upper)	1
3	607010138	REAR ROLLER (Lower)	1
4	6130401	ROLLER BUSHING	8
5	701080159	SPUR GEAR (15T*8)	1
6	701080120	SPUR GEAR (12T*8)	2
7	703020141	SPUR GEAR (53T *9.4)	1
8	703020111	SPUR GEAR (25T *8)	3
9	701090605	E-RING	4
10	6130451	GEAR BUSHING	1
11	701100316	ROUND HEAD SCREW	1
12	601150109	IDLER GEAR SUPPORT	1
13	701060207	OIL LESS BEARING FLANGE	1
14	706021211	HEATER HOUSING ASS'Y (Lower)	1
15	705200123	SENSOR ASSEMBLY	1

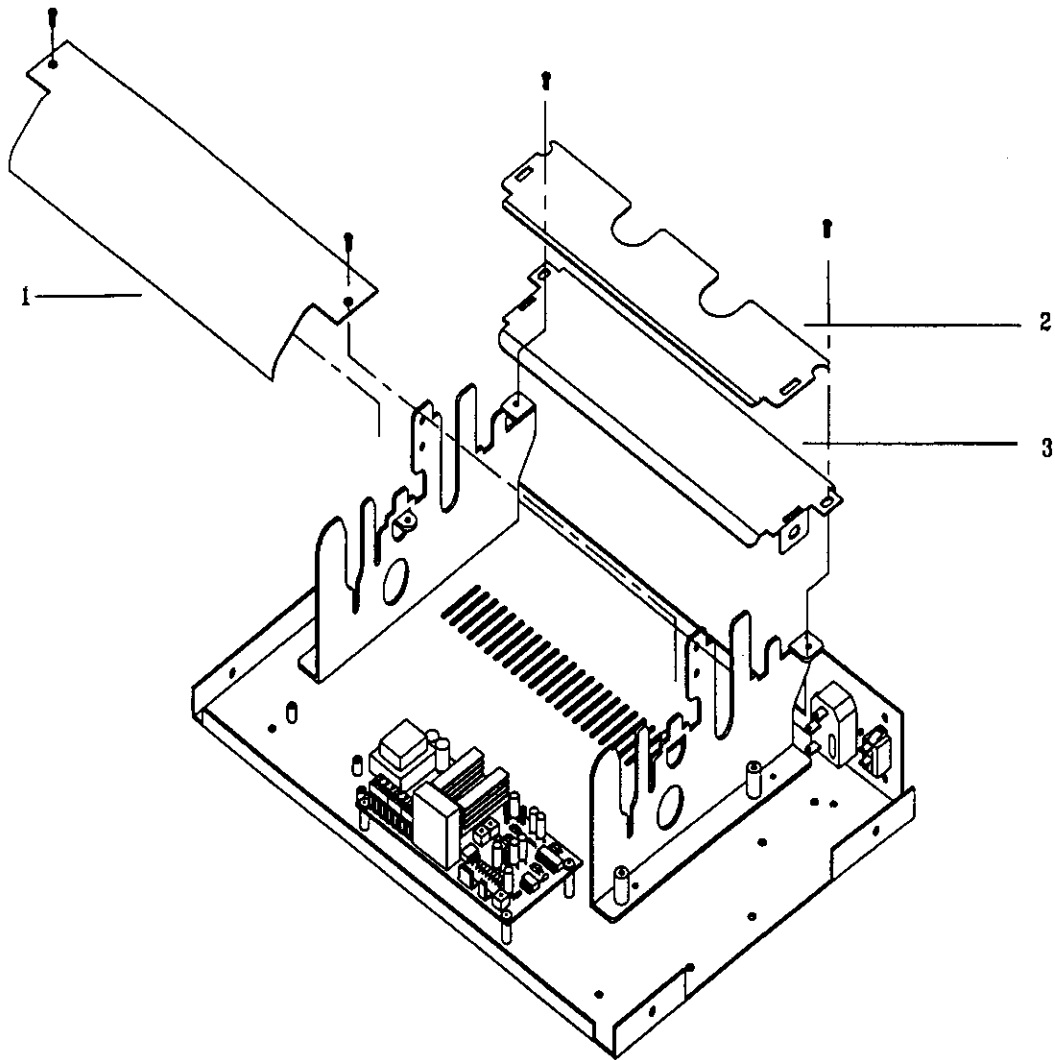
8.0 PARTS

Figure 8.5



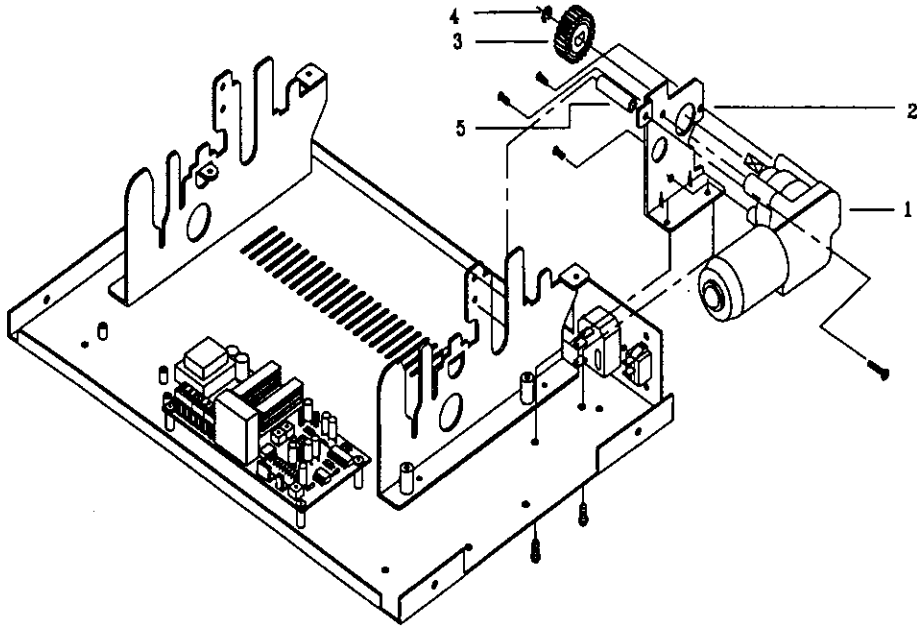
ITEM NO.	PART NO.	DESCRIPTION	QTY.
1	601170204	FRONT ROLLER HOOK (LH)	1
2	601170205	FRONT ROLLER HOOK (RH)	1
3	6012003	REAR ROLLER HOOK (LH)	1
4	6012004	REAR ROLLER HOOK (RH)	1
5	701090105	ROLLER SPRING	4
6	701108123	M/S SHOULDER HEAD M4.OFH	4
7	701108128	M/S SHOULDER HEAD M4 ORH	6
8	706021201	UPPER HEATER ASS'Y	1
9	704163672	TCO,120v	1
9	704163673	TCO,230v	1

8.0 Parts
Figure 8.6



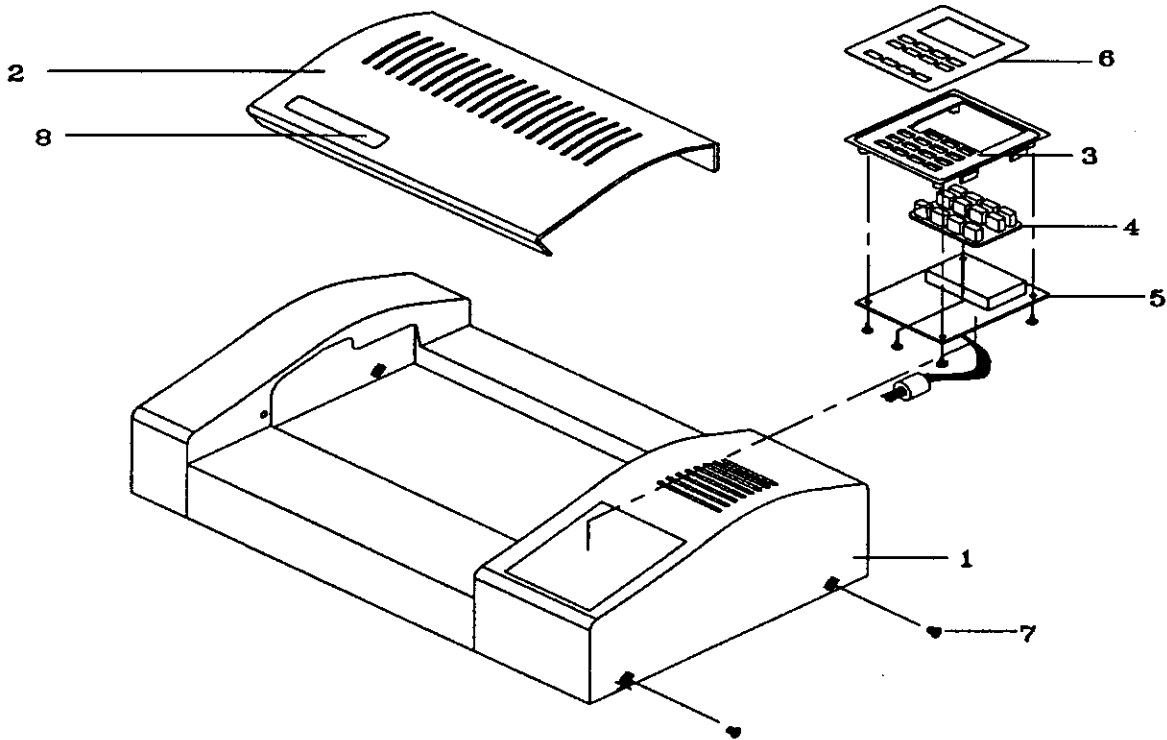
ITEM NO.	PART NO.	DESCRIPTION	QTY.
1	601170206	HEAT INSULATION PLATE	1
2	601150173	EXIT PLATE	1
3	601150107	REAR PLATE	1

8.0 Parts
 8.0 Parts
 Figure 8.7



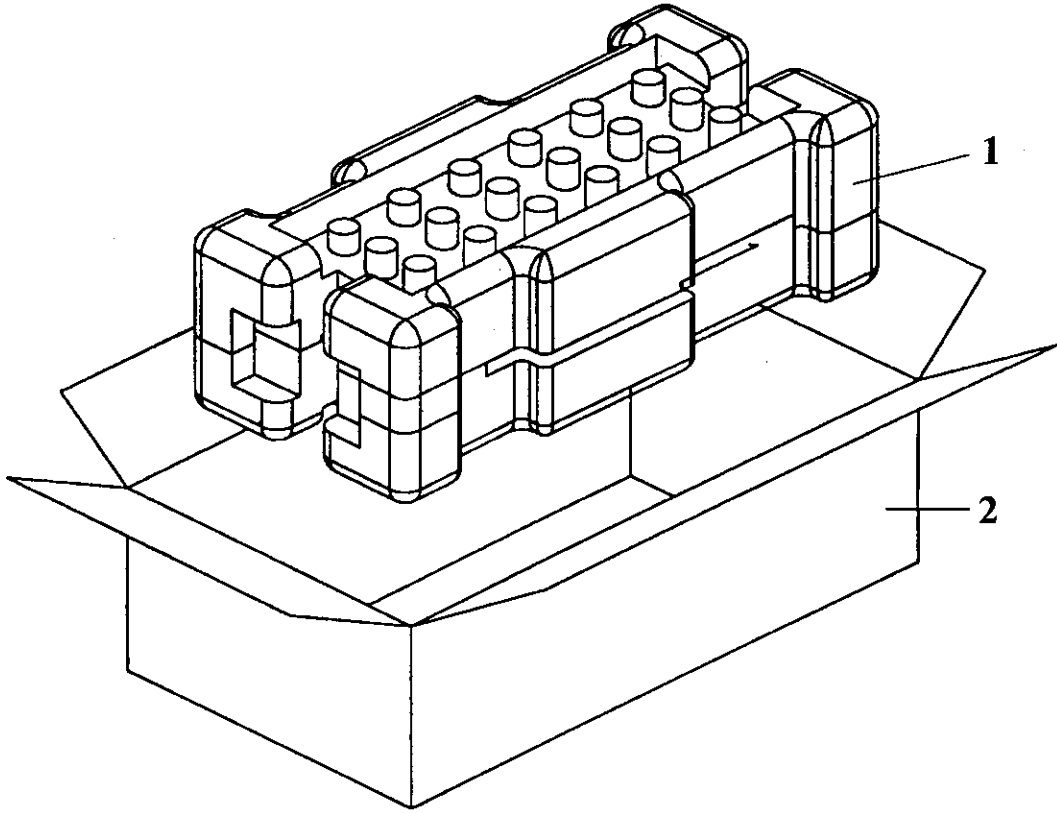
ITEM NO.	PART NO.	DESCRIPTION	QTY.
1	6090204	DC GEARED MOTOR	1
2	601150108	MOTOR BRACKET	1
3	701080142	MOTOR GEAR (10T*10)	1
4	701090606	E-RING	1
5	6130453	MOTOR BRACKET BOSS	1
6	701100324	M/S ROUND HEAD M4.0RH	1

8.0 Parts
Figure 8.8



ITEM NO.	PART NO.	DESCRIPTION	QTY.
1	601170101	UPPER HOUSING	1
2	601170102	TOP COVER	1
3	703020208	SWITCH PLATE	1
4	704090333	KEY PAD	1
5	706011611	CONTROL PCB	1
6	802102505	SWITCH PLATE STICKER	1
7	701102006	T/S ROUND HEAD M4.0TH	4
8	802040309	NAME PLATE, GBC 13 PRO	1
9	804020313	MAGNETIC LAMINATION GUIDE (not shown)	1

8.0 Parts
Figure 8.9



ITEM NO.	PART NO.	DESCRIPTION	QTY.
1	801042901	GBC 13 Pro Styrofoam	1
2	801011401	GBC 13 Pro Box	1