



# **GBC 4500 Parts List**

1701553 GBC 4500 Lam Guide



GBC IS AN ACCO BRANDS COMPANY

## **8.0 PARTS**

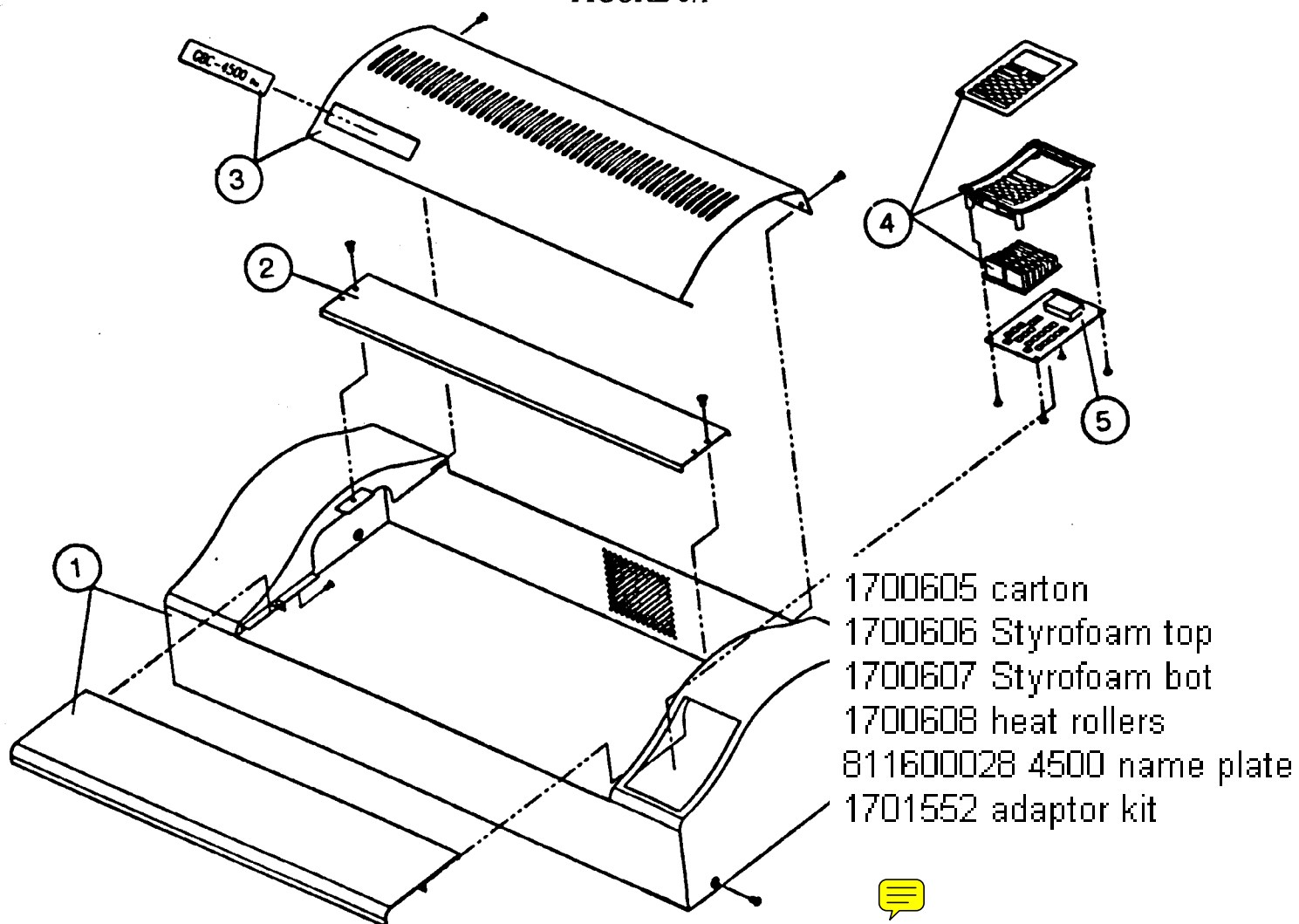
All parts in each illustration are keyed with an index number for reference to the respective part number, part name, and quantity in the parts list.

When ordering service parts, always include the following information:

1. Machine Model Number
2. Machine Assembly Number
3. Machine Serial Number
4. Part Number
5. Part Name
6. Quantity Required

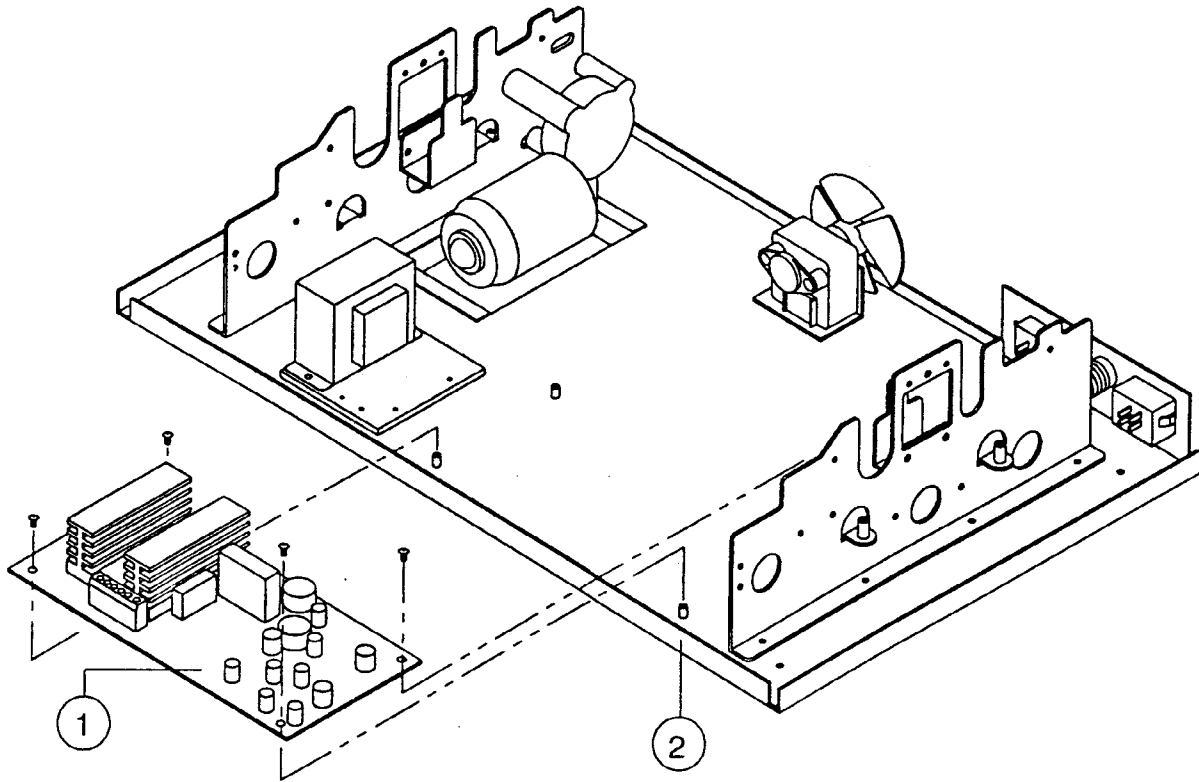
**NOTE:** The Northbrook Service Department does not stock all hardware; standard hardware should be procured locally.

8.0 PARTS  
FIGURE 8.1



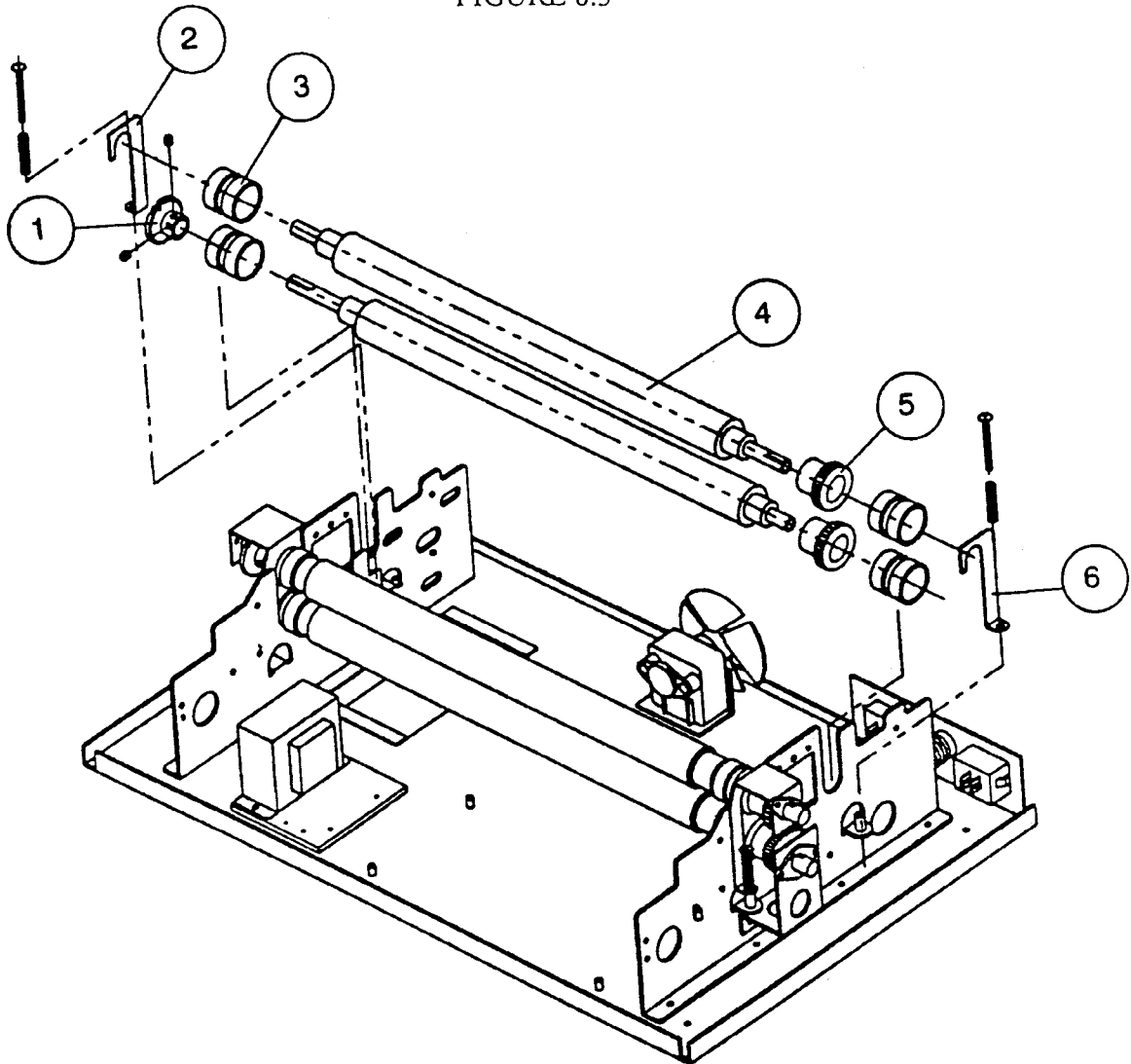
ITEM NO.	PART NO.	DESCRIPTION	QTY.
1	1700552	UPPER HOUSING ASS'Y	1
2	1700554	CENTER HEAT SHIELD	1
3	1700553	TOP COVER / LOGO ASS'Y	1
4	1700577	CONTROL PANEL ASS'Y	1
5	1700578	CONTROL PANEL P.C. BOARD	1
*	1700606	CARTON	1
*	1700607	STYROFOAM INSERT, TOP	1
*	1700608	STYROFOAM INSERT, BOTTOM	1

8.0 PARTS  
FIGURE 8.2



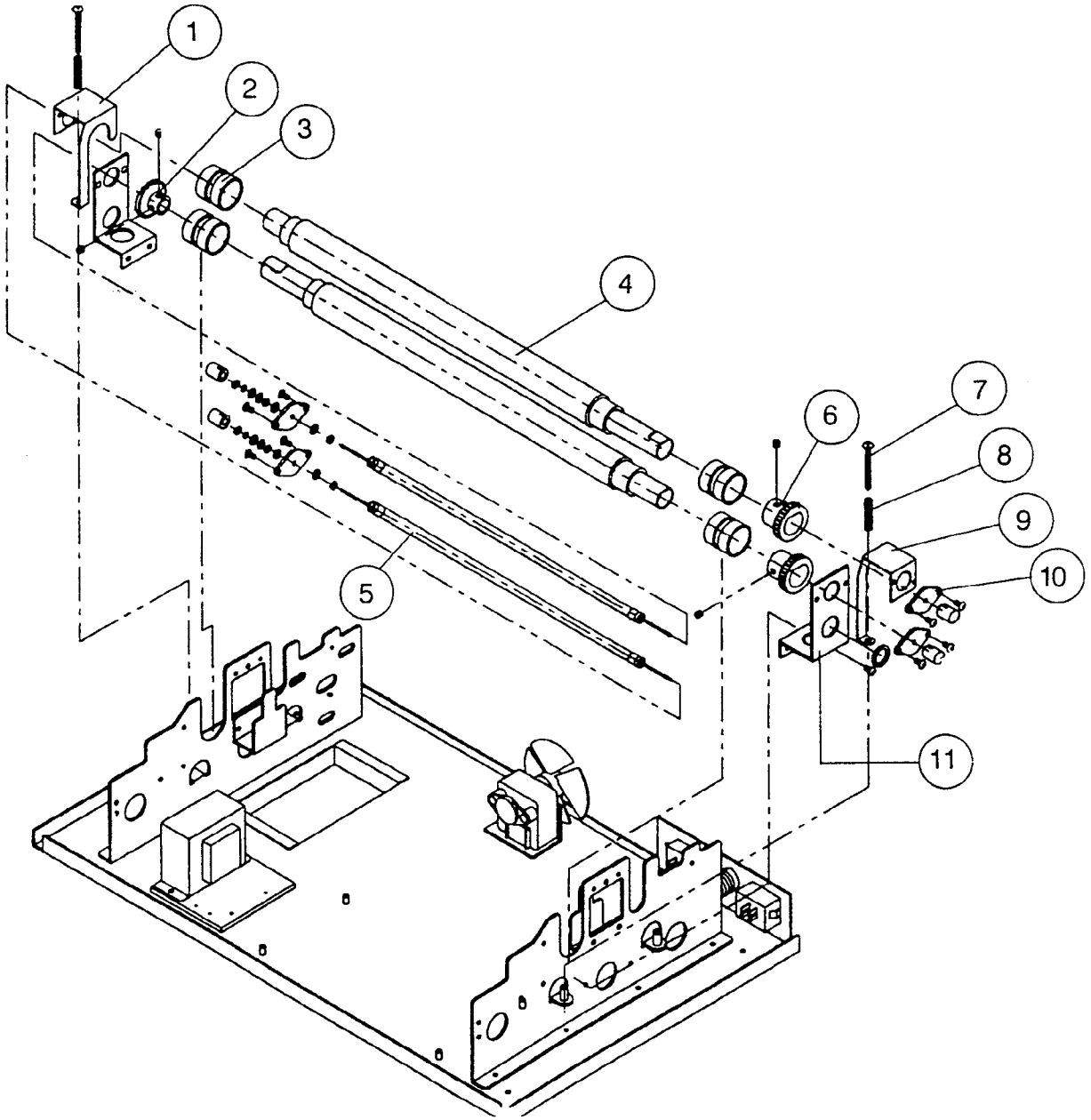
ITEM NO.	PART NO.	DESCRIPTION	QTY.
1	1700505	MAIN PC BOARD ASSY (115V)	1
1	1700506	MAIN PC BOARD ASSY (230 V)	1
2	1700555	BASE	1

8.0 PARTS  
FIGURE 8.3



ITEM NO.	PART NO.	DESCRIPTION	QTY.
1	1700592	SPROCKET, NIP ROLLER	1
2	1700591	ROLLER HOOK, LEFT	1
3	1700556	BUSHING, REAR	4
4	1700617	NIP ROLLER	2
5	1700379	ROLLER GEAR, REAR	2
6	1700590	ROLLER HOOK, RIGHT	1

8.0 PARTS  
FIGURE 8.4



**8.0 PARTS**  
**FIGURE 8.4**

<b>ITEM NO.</b>	<b>PART NO.</b>	<b>DESCRIPTION</b>	<b>QTY.</b>
1	1700594	HOOK, HEAT ROLLER, LEFT	1
2	1700593	SPROCKET, HEAT ROLLER	1
3	1700378	BUSHING, FRONT ROLLER	2
4	1700608	HEAT ROLLERS	
5	1700597	INFRARED HEATER ASS'Y	2
6	1700596	GEAR, HEAT ROLLER	2
7	1700580	SHOULDER BOLT	4
8	1700385	SPRING, ROLLER	4
9	1700595	HOOK, HEAT ROLLER, RIGHT	1
10	1700598	SHOCK ABSORBER	4
11	1700609	BRACKET, HEAT ROLLER	2

8.0 PARTS  
FIGURE 8.5

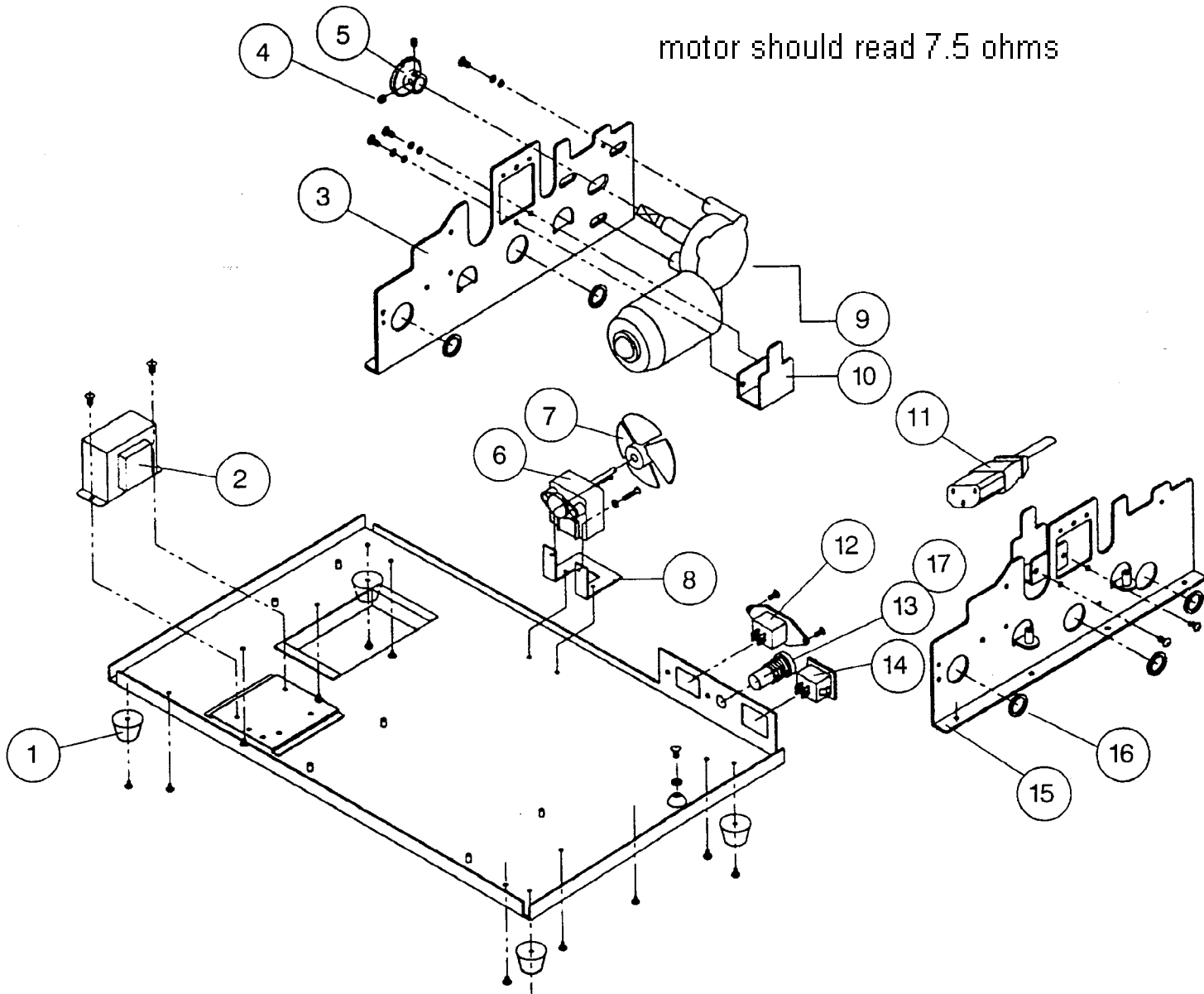
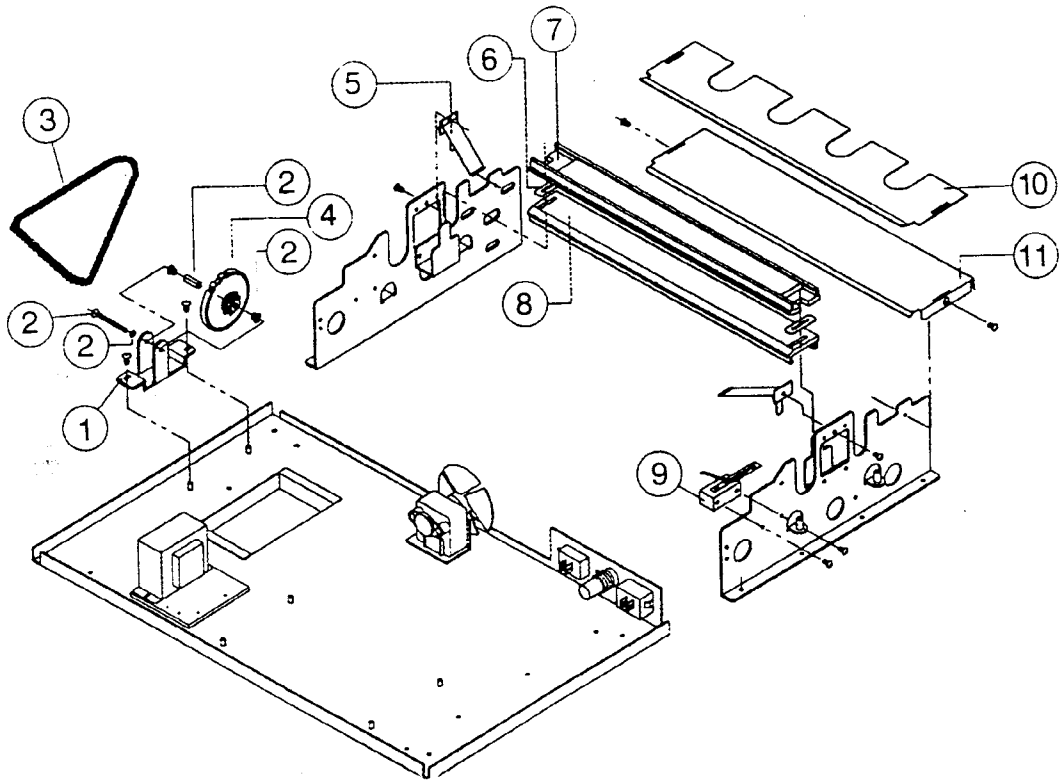


FIGURE 8.5

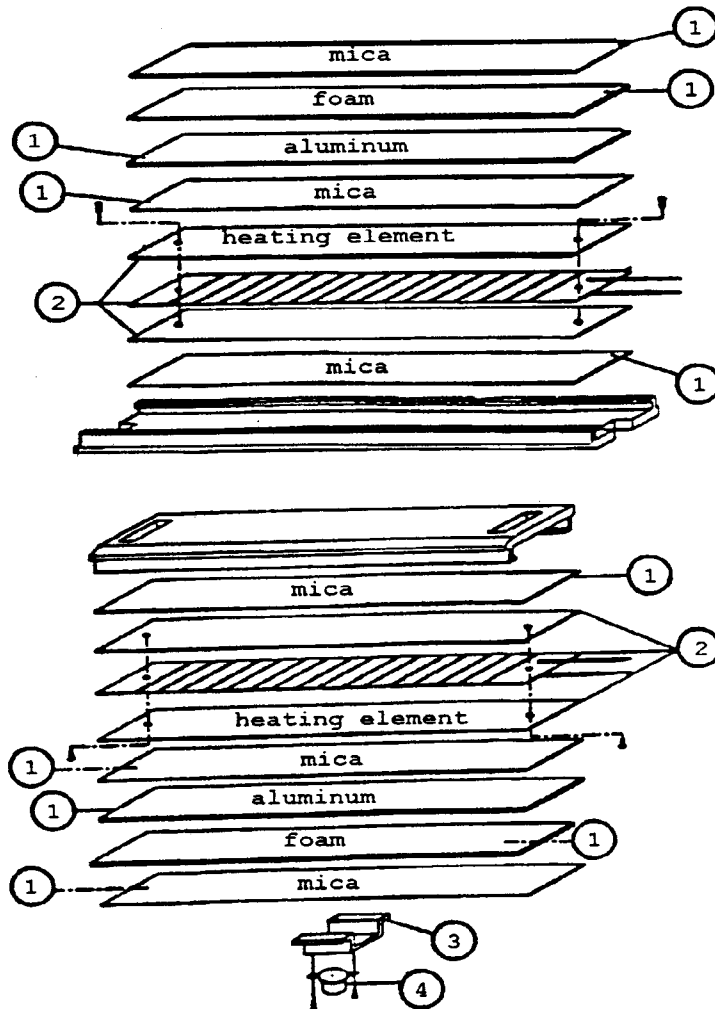
ITEM NO.	PART NO.	DESCRIPTION	QTY.
1	1700354	RUBBER FOOT	4
2	<del>1700502</del> 610010206	TRANSFORMER (115V)	1
2	1700522	TRANSFORMER (230V)	1
3	1700586	SIDE FRAME, LEFT	1
4	1700589	SET SCREW	8
5	1700588	SPUR GEAR, MOTOR	1
6	1700503	FAN MOTOR (115V)	1
6	1700523	FAN MOTOR (230V)	1
7	1700581	FAN	1
8	1700579	BRACKET, FAN	1
	motor is 609020200	D.C. MOTOR, DRIVE	1
10	1700394	MOUNT, LOWER PLATEN	2
11	1700307	POWER CORD, US	1
11	1700317	POWER CORD, JAPAN	1
11	1700327	POWER CORD, EUROPE	1
11	1700337	POWER CORD, U.K.	1
11	1700347	POWER CORD, AUSTRALIA	1
12	1700582	RECEPTACLE	1
13	1700583	FUSEHOLDER	1
14	1700584	POWER SWITCH	1
15	1700585	SIDE FRAME, RIGHT	1
16	1700587	RUBBER BUSHING	7
17	1700504	1104289 FUSE 15 AMP (115V)	1
17	1700524	FUSE 10 AMP (230V)	1

8.0 PARTS  
FIGURE 8.6



ITEM NO.	PART NO.	DESCRIPTION	QTY.
1	1700559	BRACKET, SPROCKET	1
2	1700575	SPROCKET HARDWARE ASS'Y	1
3	1700572	CHAIN	1
4	1700574	SPROCKET	1
5	1700571	TENSION SPRING	2
6	1700563	SPACER	2
7	1700570	UPPER HEATER PLATEN	1
8	1700569	LOWER HEATER PLATEN	1
9	1700576	HEAT SENSOR ASS'Y	1
10	1700558	EXIT PLATE	1
11	1700557	REAR TABLE	1

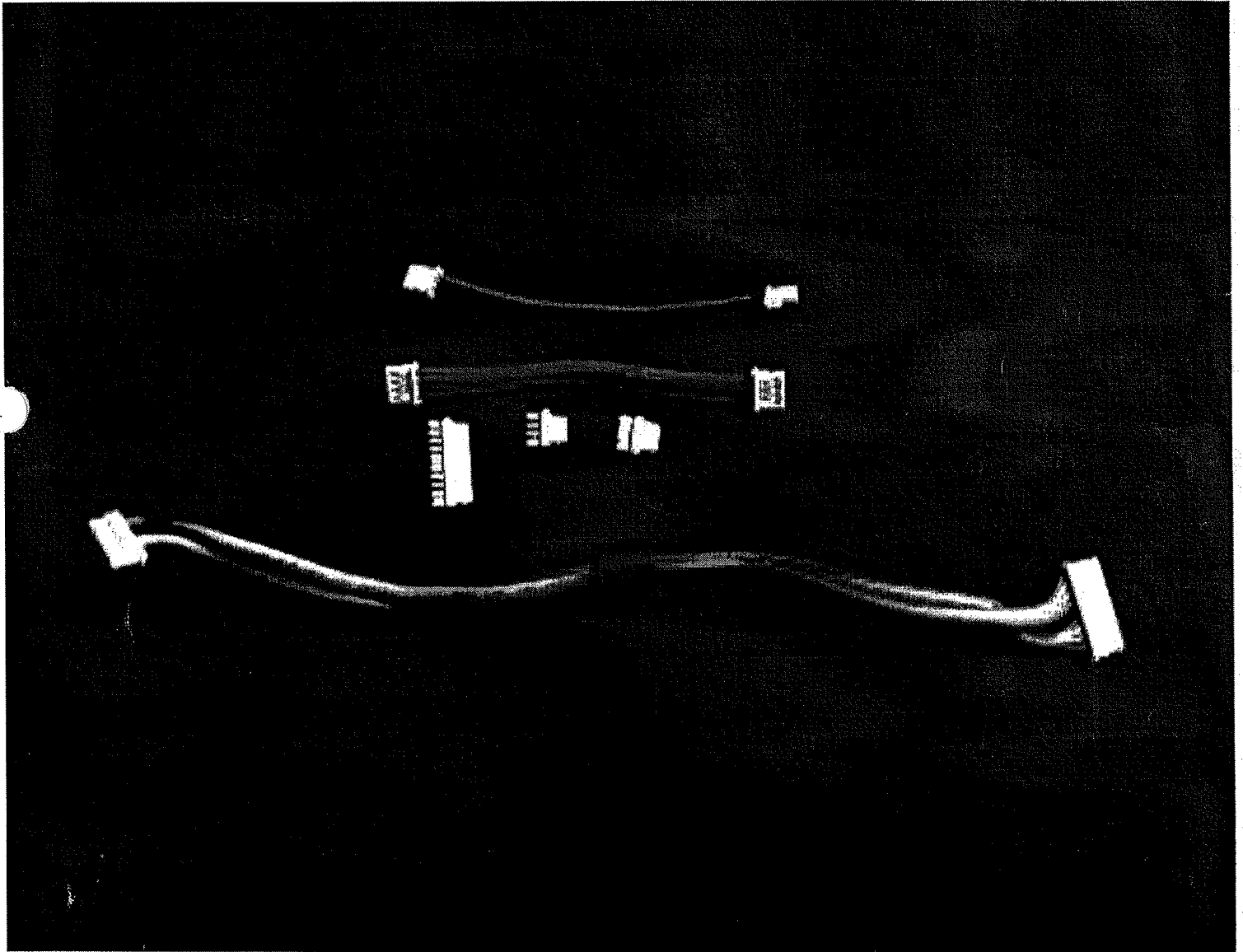
8.0 PARTS  
FIGURE 8.7



ITEM NO.	PART NO.	DESCRIPTION	QTY.
1	1700601	INSULATOR SET FOR MICA HEATERS	1
2	1700602	MICA HEATER SET	1
3	1700603	BRKT, TEMP LIMITING THERMOSTAT	1
4	1700604	TEMP LIMITING THERMOSTAT	1

GBC 3500 & 4500  
PCB ADAPTOR KIT

(P/N 1701552)



NOTE: This kit is Required when Replacing the main PCB in a GBC 3500 with the old PCB connectors. The 4500 uses the same ribbon cable.