

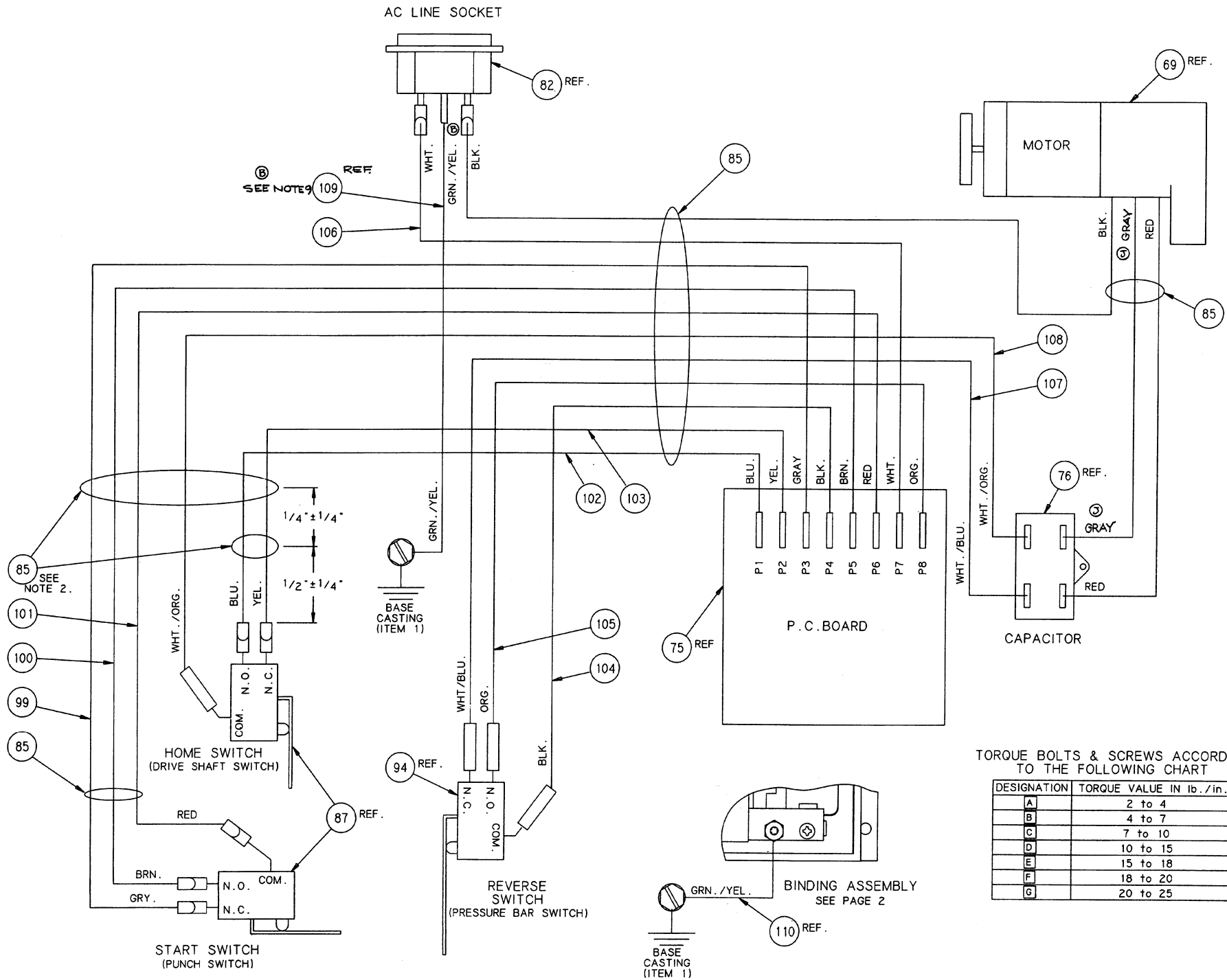


GBC 4000 Parts List



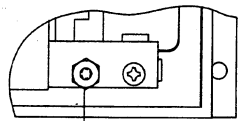
GBC IS AN ACCO BRANDS COMPANY

GBC 4000



TORQUE BOLTS & SCREWS ACCORDING TO THE FOLLOWING CHART

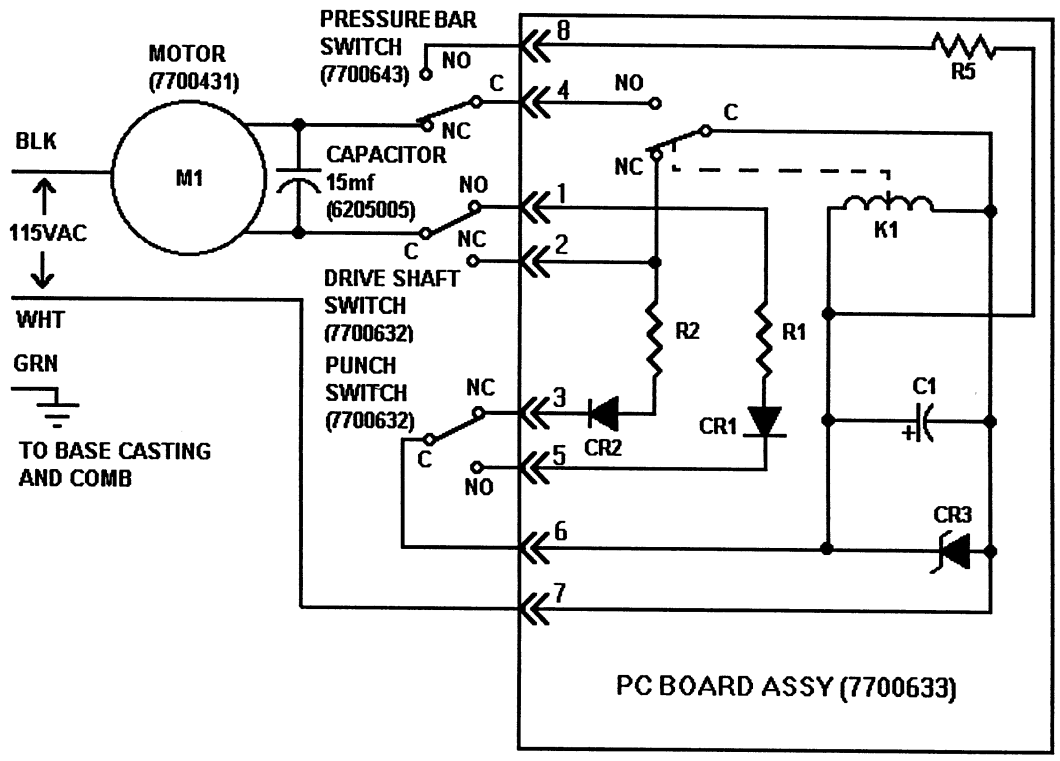
DESIGNATION	TORQUE VALUE IN lb./in.
A	2 to 4
B	4 to 7
C	7 to 10
D	10 to 15
E	15 to 18
F	18 to 20
G	20 to 25



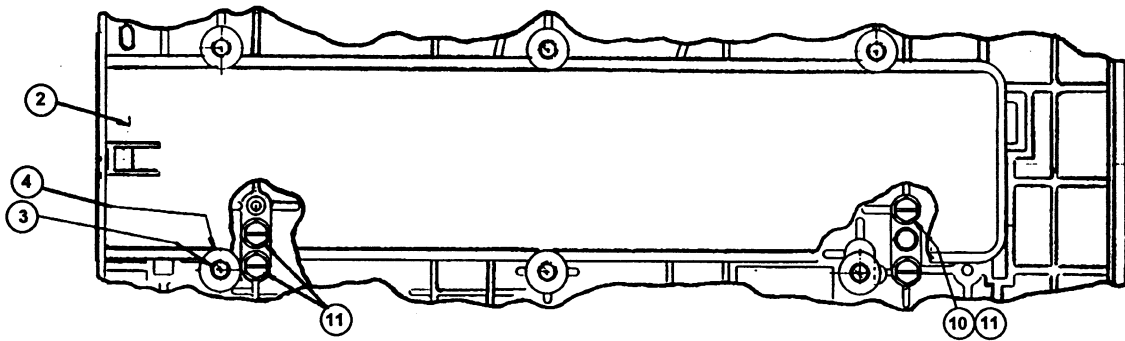
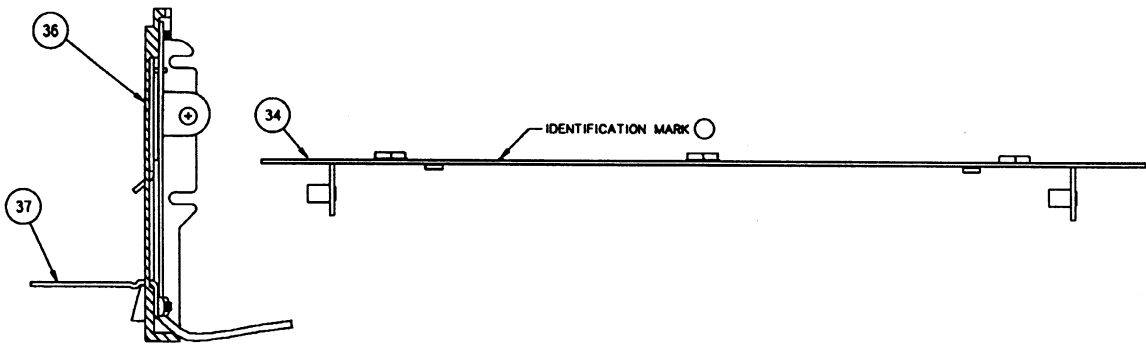
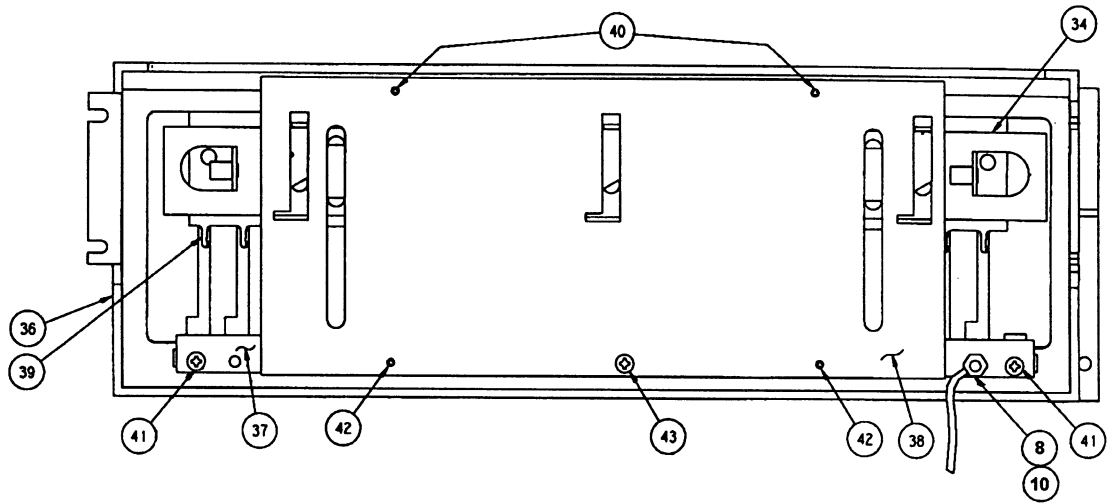
BINDING ASSEMBLY
SEE PAGE 2

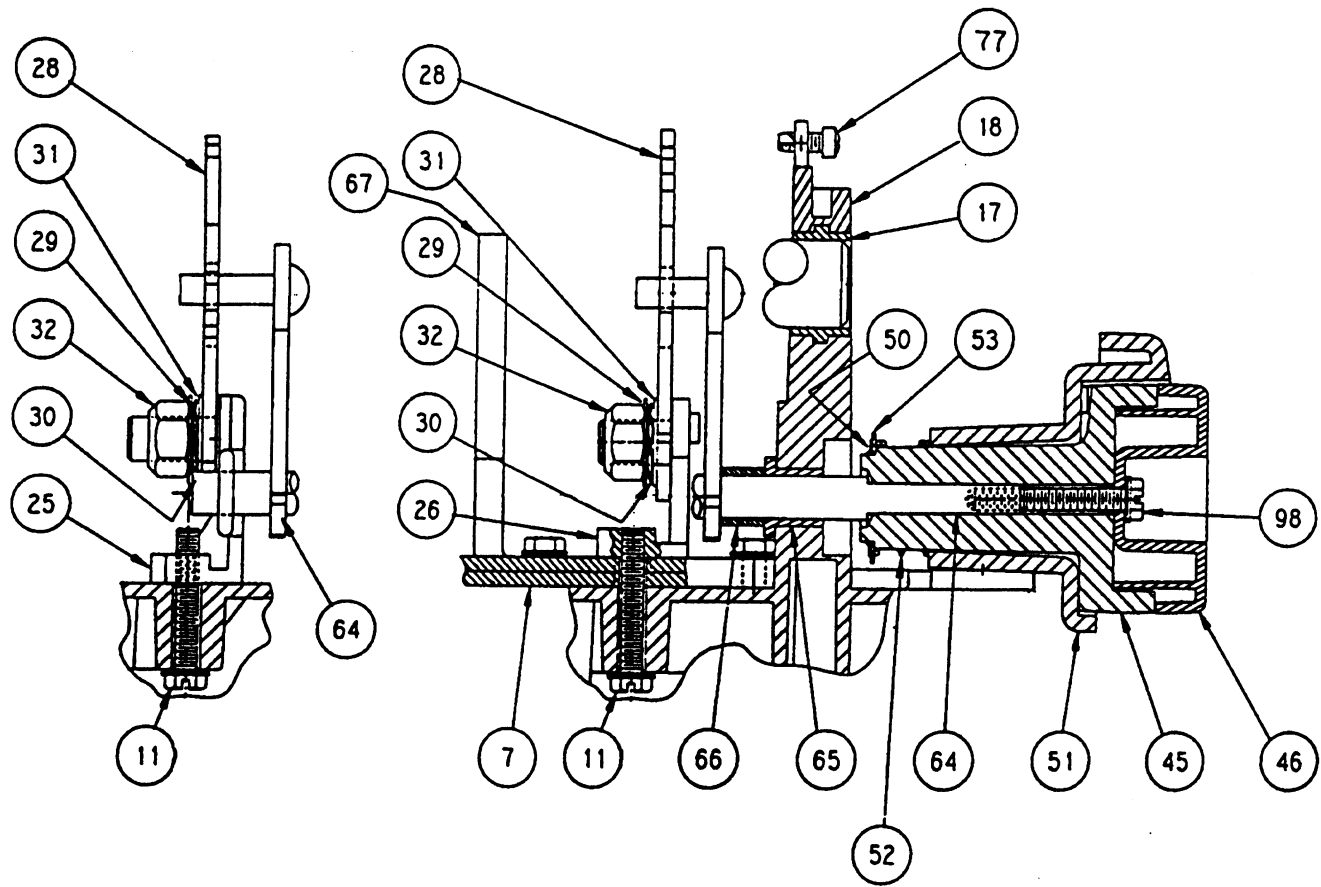


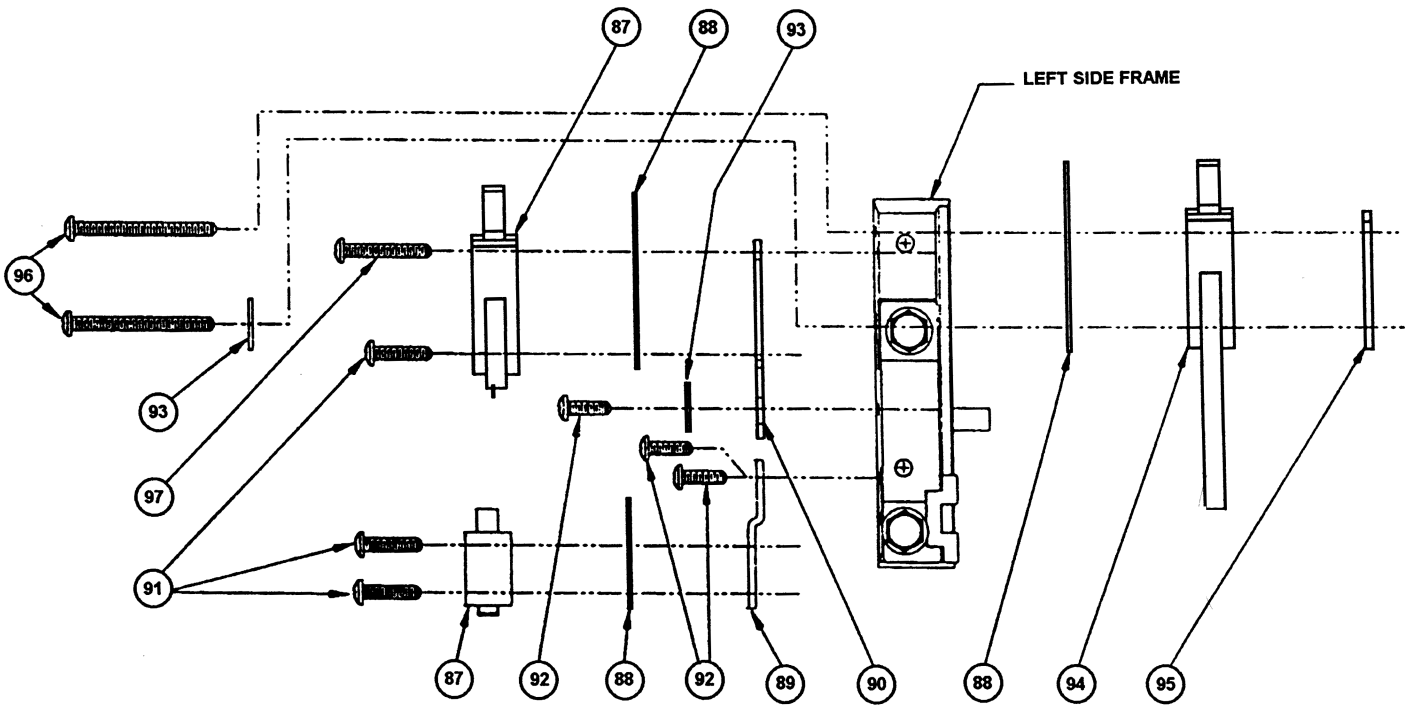
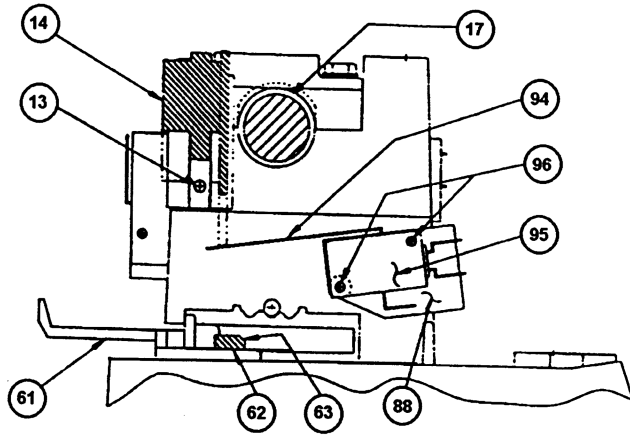
BASE CASTING (ITEM 1)



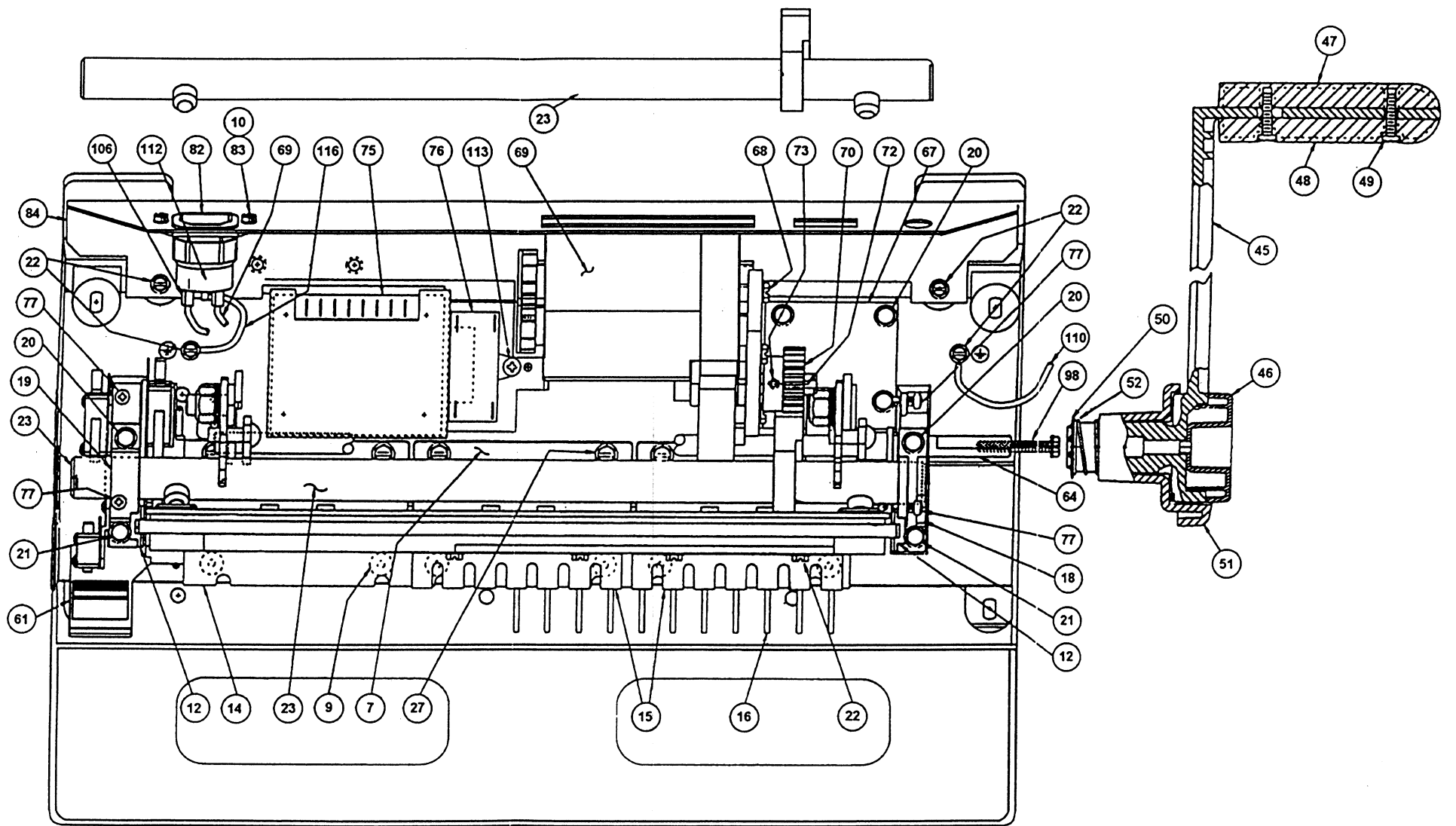
GBC 4000 (7700601)







Exploded Top view of Switch Assemblies on Left Side Frame



ITEM	PART NO.	DESCRIPTION	QUANTITY 115 VOLT	QUANTITY 230 VOLT
1	7700061	BASE, DIE CAST	1	1
2	7700041	CHIP TRAY	1	1
3	1907202	SCREW, 6-32x3/8 SLTD HEX SEMS TAP	6	6
4	1925101	WASHER, FLAT NO 6	6	6
5	7700639	TOP COVER ASSY (SEE FIG 8.2)	1	1
	1165003	TOP COVER MODIFIED (REF NSB 126A)	1	1
6	1911001	SCREW, 10-32x3/4 MACH CREST CUP S	4	4
7	1152027	DIE ASSY	3	3
8	1911116	SCREW, 6-32x3/8 PAN HD SEMS	1	1
9	1900632	SCREW, 10-32x9/16 FLAT HD CAP	6	6
10	1926801	LOCK NUT, 6-32	3	3
11	1907400	SCREW, 10-32x1 1/4 IND HEX SLT HD SEMS	4	4
12	7700844	SLIDE BEARING	2	2
13	1911601	SREW, 8-32x5/16 SEMS TAPPING	2	2
14	7700644	PRESSURE BAR ASSY	1	1
15	1152010	DETENT SPRING	1	1
16	1152138	SELECTOR PIN	11	11
17	7700039	BEARING, DRIVESHAFT	2	2
18	7700037	BEARING CAP, RIGHT	1	1
19	7700038	BEARING CAP, LEFT	1	1
20	1907103	SCREW, 10-32x1 HEX HD SEMS TAP	5	5
21	1907102	SCREW, 10-32x11/16 HEX HD SEMS TAP	2	2
22	1907201	SCREW, 8-32x 3/8 SLTD HEX WASH HD TA	2	2
23	7700444	DRIVE SHAFT ASSY	1	1
24	1136626	RUBBER FOOT	4	4
25	7700447	PIVOT BRACKET, L.H.	1	1
26	7700448	PIVOT BRACKET, R.H.	1	1
27	1907404	SCREW, 10-32x3/4 IND HEX SLT FLNG	5	5
28	1152049	YOKE, BINDING	2	2
29	1925113	WASHER, FLAT .385x3/4x.024"	2	2
30	1926507	WASHER, SPRING 3/8" I.D.	2	2
31	1953519	THRUST BEARING	2	2
32	1932301	LOCKNUT, 3/8-24	2	2
33	7700641	INSTRUCTIONAL DECAL - GBC4000	1	1
34	1132389	SLIDE BAR ASSY	1	1
35	6200001	POWER CORD 115V	1	
	6200012	POWER CORD EUROPE		1
	6200014	POWER CORD UNITED KINGDOM		1
	6200015	POWER CORD SWITZERLAND		1
	6200016	POWER CORD AUSTRALIA		1
36	7700047	BINDER FRAME	1	1
37	1152132	COMB	1	1
38	7700245	GUIDE PLATE	1	1
39	1101997	HOOK SLIDE	1	1
40	1907805	SCREW, 6-32x1/4 PAN HD TAPPING	2	2
41	1901202	SCREW, 6-18x1/4 THRD ROL PAN HD	2	2
42	1907811	SCREW, 6-32x1/2 PAN HD TAPPING	2	2
43	1901204	SCREW, 6-18x5/16 THRD ROL PAN HD	1	1

ITEM	PART NO.	DESCRIPTION	QUANTITY 115 VOLT	QUANTITY 230 VOLT
45	7700840	HANDLE	1	1
46	7700839	CAP, HANDLE	1	1
47	7700233	UPPER HANDLE GRIP	1	1
48	7700234	LOWER HANDLE GRIP	1	1
49	1901206	SCREW, 8-16x3/4 THRD ROLL PAN HD	2	2
50	1932503	RETAINING RING, HANDLE	1	1
51	7700838	SELECTOR RING, BINDING STOP	1	1
52	7700841	SPRING, SELECTOR RING	1	1
53	1925115	WASHER, FLAT 1-1/8x.760x.030"	1	1
54	7700235	EDGE GUIDE	1	1
55	7700637	BUTTON, EDGE GUIDE (GREEN)	1	1
56	1152141	SPRING, EDGE GUIDE	1	1
57	7700248	GUIDE DETENT	1	1
58	1932505	RETAINING RING	1	1
59	1931046	CABLE CLAMP (POST)	1	1
60	7700834	POST	2	2
61	7700640	SLIDE, BACK GAUGE CNTL (GRN)	1	1
62	1101994	BACK GAUGE RIBBON SPRING	1	1
63	1152012	BACK GAUGE BAR (DIECAST)	1	1
64	7700857	BINDING SHAFT WELD ASSY	1	1
65	1952009	FLANGE BEARING, BRONZE	1	1
66	1952221	BEARING, BRONZE	1	1
67	7700430	MOTOR MOUNG	1	1
68	1907322	SCREW, 8-32x1/2 IND HEX SLTD HD SEMS	4	4
69	7700431	A.C. GEARMOTOR W/BRAKE & LEAD ASSY	1	
	7701031	A.C. GEARMOTOR W/BRAKE & LEAD ASSY		1
70	1156037	GEAR SPUR PINION, 25 TOOTH	1	1
71	7700231	SUPPLY BIN COVER	1	1
72	1852815	KEY, 1/8 X 1/8 X 3/4	1	1
73	1900026	SET SCREW, 10-32 x 3/8"	1	1
74	7700230	BINDER SIZE LABEL	1	1
75	7700633	P.C. BOARD ASSY	1	
	1951003	PC BOARD SUPPORT (NOT SHOWN)	4	
	7700432	PC BOARD SHIELD (NOT SHOWN)	1	
	7700730	P.C. BOARD ASSY		1
	1951003	PC BOARD SUPPORT (NOT SHOWN)		4
	7700432	PC BOARD SHIELD (NOT SHOWN)		1
76	6205005	CAPACITOR (15uf)	1	
	6205003	CAPACITOR (4uf) EUROPE & SWITZERLAN		1
	6205008	CAPACITOR (3.5uf) UK & AUSTRALIA		1
77	1907701	SCREW, 8-32x3/8 FILL HD TAPPING	4	4
78	7700833	PUNCH ACTUATOR	1	1
79	1932507	RETAINING RING	1	1
80	7700630	FACIA BEZEL	1	1
81	1152140	O - RING	1	1
82	1132289	CONNECTOR, POWER CORD	1	1
83	1907301	SCREW, 6-32x3/8 IND HEX SLT HD SEMS	2	2

ITEM	PART NO.	DESCRIPTION	QUANTITY 115 VOLT	QUANTITY 230 VOLT
84	7701074	ELECTRICAL PANEL	1	1
85	7700440	BINDER SIZE SLIDE	1	1
86	7700631	ACCESS DOOR	1	1
87	7700632	SWITCH (PUNCH & DRIVE SHAFT)	2	2
88	1122005	INSULATOR, SWITCH	3	3
89	7700642	BRACKET, PUNCH SWITCH	1	1
90	7700634	BRACKET, SWITCH ADJUSTMENT	1	1
91	1902821	SCREW, 4-40x1/2 PAN HD MACH	3	3
92	1907812	SCREW, 4-40x1/4 PAN HD TAPPING	3	3
93	1925129	WASHER, NO. 4 FLAT	2	2
94	7700643	SWITCH (PRESSURE BAR)	1	1
95	1128310	NUT PLATE	1	1
96	1902870	SCREW 4-40x1-3/16" PAN HD MACH	2	2
97	1907828	SCREW, 4-40x3/4 PAN HD TAPPING	1	1
98	1907403	SCREW, 10-32x1-3/8 IND HEX SLT HD S	1	1
99	7700836	TRAY, BINDING SUPPLY	1	1
102	6178013	SPRING	1	1

* Per ECO 9281 Upper Housing Assy can be ordered complete. Use Part No.# 7700646