



GBC 3500 Parts List

1701554 GBC 3500 Lamination guide
1961525 HI-TEMP GREASE JET LUBE
AP5



GBC IS AN ACCO BRANDS COMPANY

8.0 PARTS

All parts in each illustration are keyed with an index number for reference to the respective part number, part name, and quantity in the parts list.

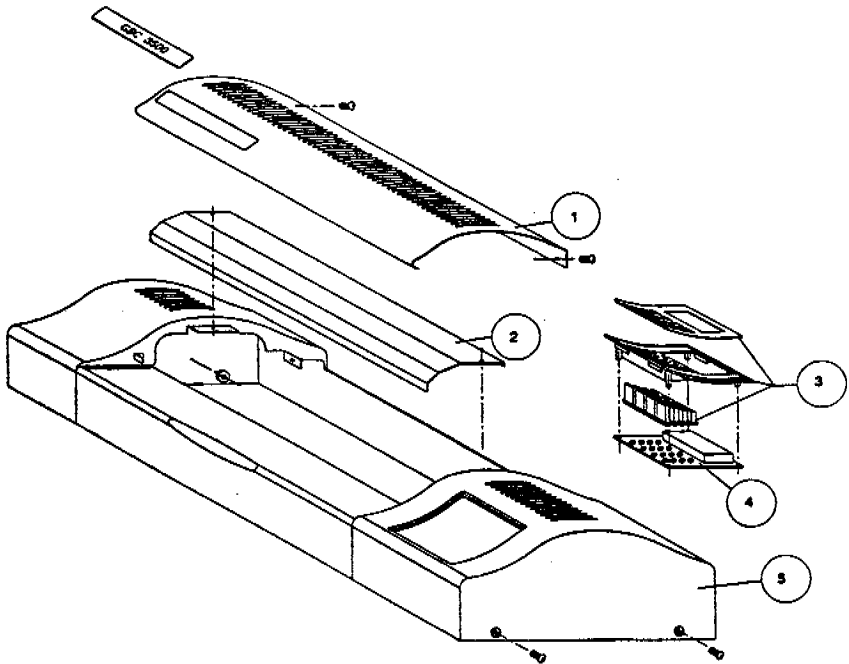
When ordering service parts, always include the following information:

- 1. Machine Model Number**
- 2. Machine Assembly Number**
- 3. Machine Serial Number**
- 4. Part Number**
- 5. Part Name**
- 6. Quantity Required**

Note: The Northbrook Service Parts Department does not stock all hardware; to avoid delay, standard hardware should be procured locally.

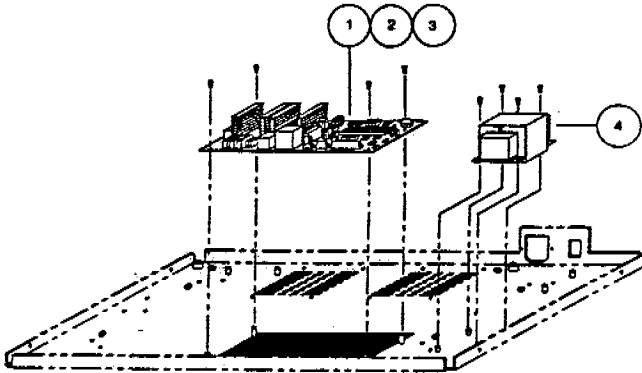
3500 PRO SERIES

PARTS LIST



ITEM NO.	PART NO.	DESCRIPTION	QTY.
1	1700362	COVER, REMOVABLE	1
2	1700363	CENTER HEAT SHIELD	1
3	1700355	CONTROL PANEL ASS'Y	1
4	1700304	PC BOARD, CONTROL PANEL	1
5	1700360	UPPER HOUSING ASS'Y	1

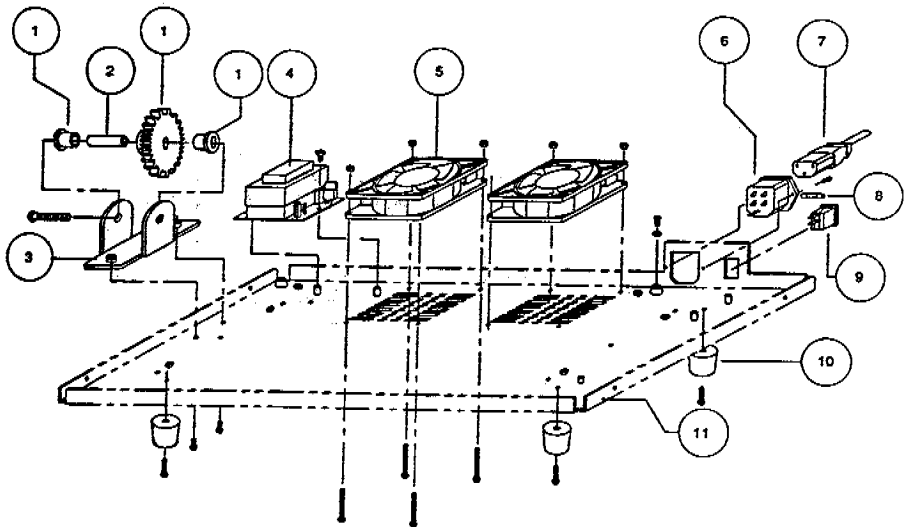
8.0 PARTS
FIGURE 8.2



ITEM NO.	PART NO.	DESCRIPTION	QTY.
1	1700305	PC BOARD, MAIN (115V)	1
1	1700325	PC BOARD, MAIN (230V)	1
2	1700336	FAN RELAY	1
3	1700348	MOTOR REVERSE RELAY	1
4	1700306	TRANSFORMER, MOTOR (115V)	1
4	1700326	TRANSFORMER, MOTOR (230V)	1

1701552 PCB adaptor kit

8.0 PARTS
FIGURE 8.3

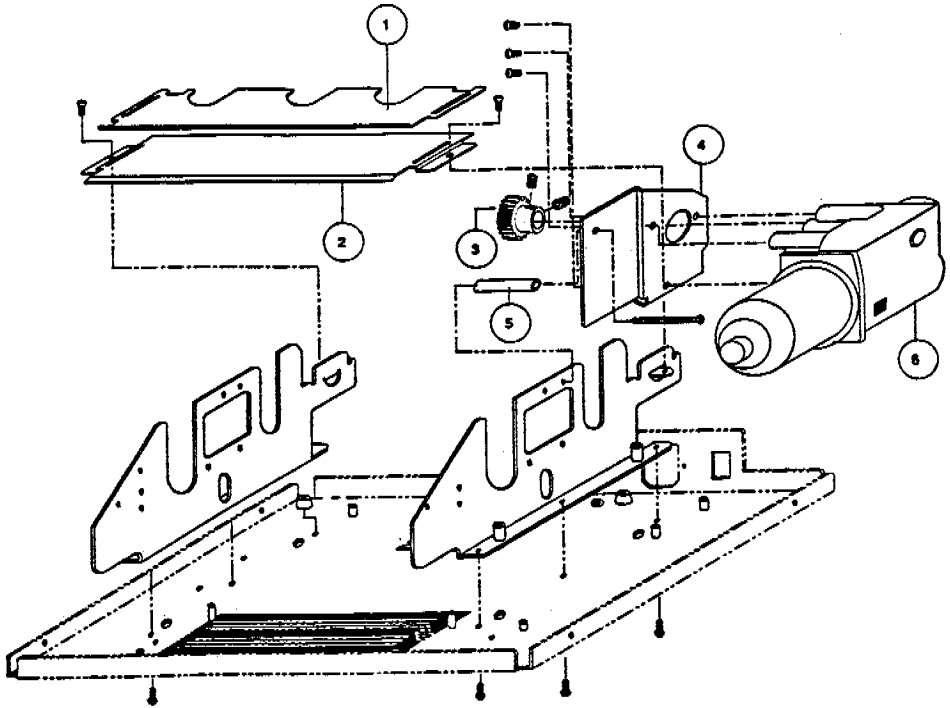


8.0 PARTS
FIGURE 8.3

ITEM NO.	PART NO.	DESCRIPTION	QTY.
1	1700391	SPUR GEAR, IDLER	1
2	1700356	SUPPORT PIN, IDLER GEAR/ SPACER	1
3	1700376	BRACKET, IDLER GEAR	1
4	1700308	TRANSFORMER, FAN (115V)	1
4	1700328	TRANSFORMER, FAN (230V)	1
5	1700349	FAN	2
6	1700358	INLET SOCKET /FUSE HOLDER w/LABEL	1
7	1700307	POWER CORD, US	1
7	1700317	POWER CORD, JAPAN	1
7	1700327	POWER CORD, EUROPE	1
7	1700337	POWER CORD, UK	1
7	1700347	POWER CORD, AUSTRALIA	1
7	1700357	POWER CORD, SWISS	1
8	1700309	FUSE, 115V (10 AMP)	1
8	1700329	FUSE, 230V (6.3 AMP)	1
9	1700359	ROCKER SWITCH, POWER	1
10	1700354	RUBBER FEET	4
11	1700365	BASE	1

704130126 Fuse 10 Amp slo blo
 Rocker switch replacement
 704090111 EAGLES FAN SWITCH

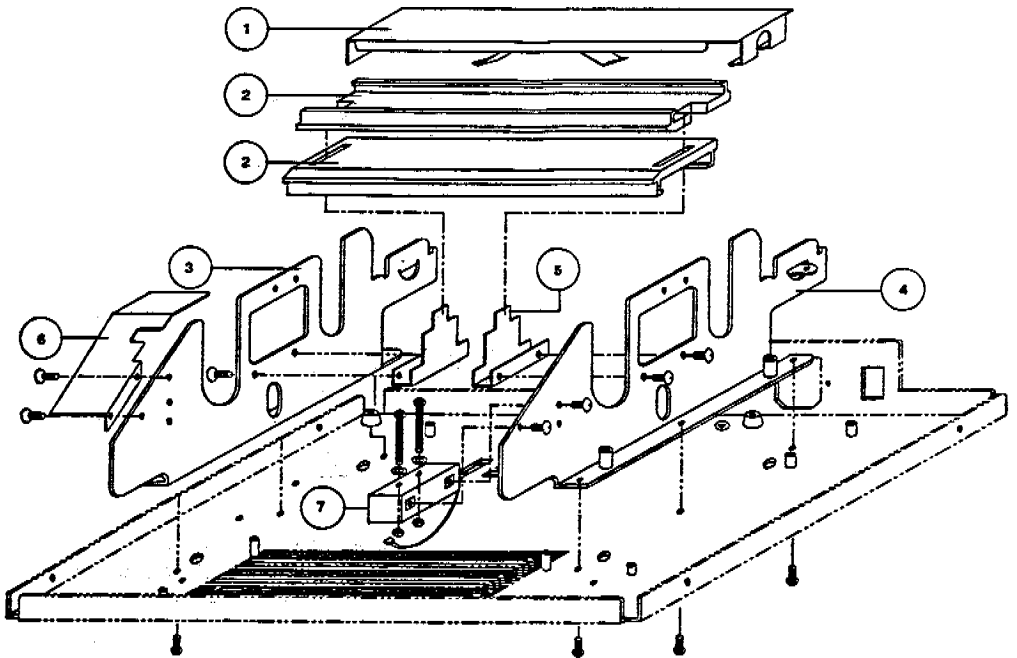
**8.0 PARTS
FIGURE 8.4**



ITEM NO.	PART NO.	DESCRIPTION	QTY.
1	1700366	EXIT PLATE	1
2	1700364	REAR TABLE	1
3	1700388	SPUR GEAR, MOTOR	1
4	1700373	BRACKET, MOTOR	1
5	1700356	SPACER/ SUPPORT PIN, IDLER GEAR	1
6	1700386	MOTOR, DC GEAR	1

Motor should be ten ohms

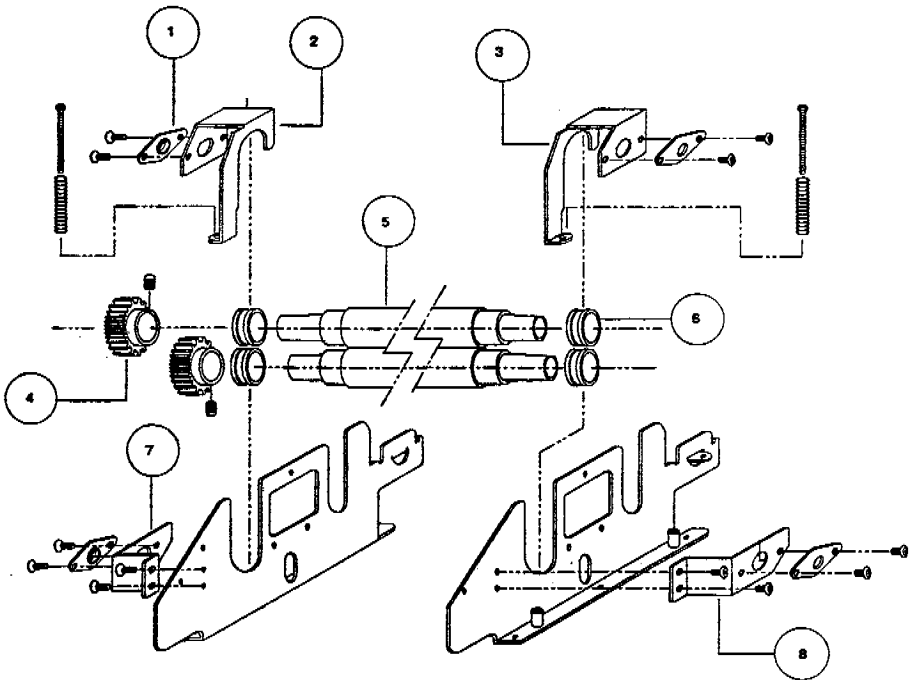
8.0 PARTS
FIGURE 8.5



ITEM NO.	PART NO.	DESCRIPTION	QTY.
1	1700399	THERMAL INSULATION PLATE	1
2	17500395	HEATER PLATEN, ALUMINUM	2
3	1700383	SIDE PLATE, LEFT	1
4	1700384	SIDE PLATE, RIGHT	1
5	1700394	MOUNT, LOWER PLATEN	2
6	1700375	HEAT SHIELD, LEFT	1
7	1700398	SENSOR ASS'Y	1

Heater platen 1700395

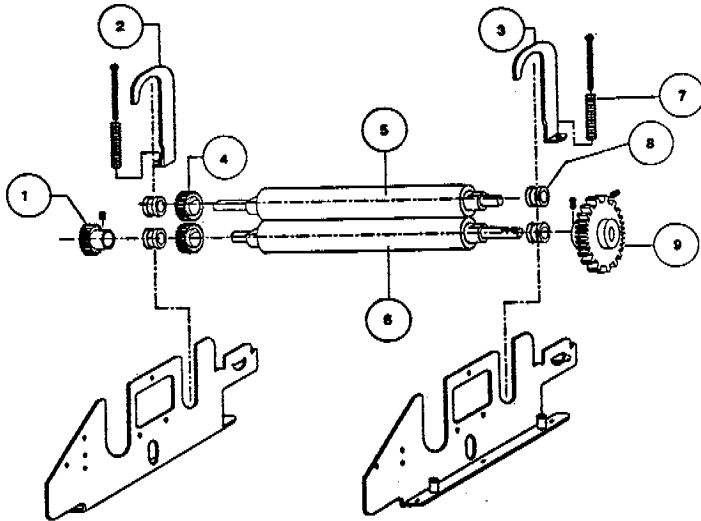
8.0 PARTS
FIGURE 8.6



ITEM NO.	PART NO.	DESCRIPTION	QTY.
1	1700377	SHOCK ABSORBER, INFRARED HEATER	4
2	1700367	ROLLER HOOK, LEFT, FRONT	1
3	1700368	ROLLER HOOK, RIGHT, FRONT	1
4	1700387	SPUR GEAR, LEFT, FRONT, STEEL	2
5	1700382	HEATED ROLLER	2
6	1700378	BUSHING ASS'Y, ROLLER, FRONT	4
7	1700371	BRKT., LEFT, HEAT ROLLER	1
8	1700372	BRKT., RIGHT, HEAT ROLLER	1

Blue front

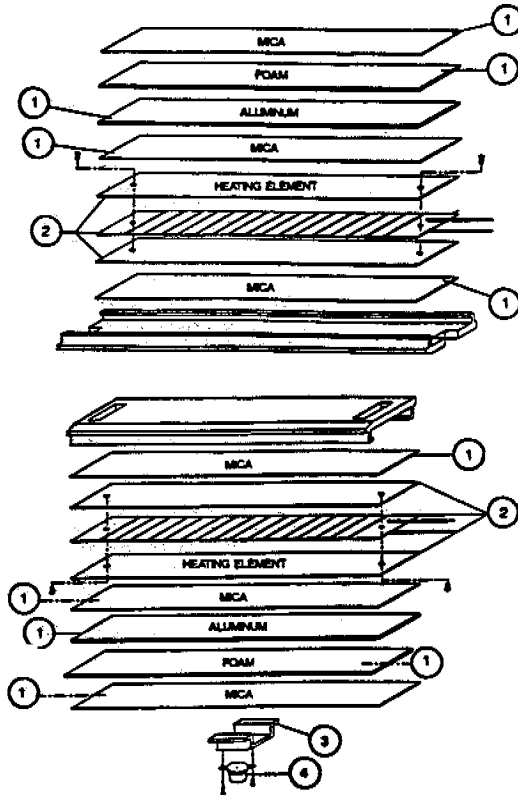
8.0 PARTS
FIGURE 8.7



ITEM NO.	PART NO.	DESCRIPTION	QTY.
1	1700390	SPUR GEAR , REAR ROLLER, METAL	1
2	1700370	ROLLER HOOK, LEFT, REAR	1
3	1700369	ROLLER HOOK, RIGHT,REAR	1
4	1700389	SPUR GEAR, PLASTIC	2
5	1700380	NIP ROLLER, UPPER	1
6	1700381	NIP ROLLER, LOWER	1
7	1700385	ROLLER SPRING	4
8	1700379	BUSHING ASS'Y, ROLLER, REAR	4
9	1700392	SPUR GEAR, LARGE, STEEL	1

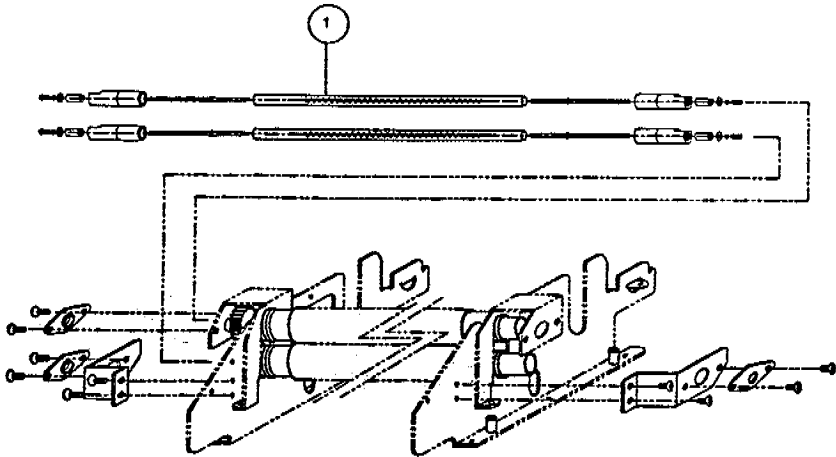
Spur gear is steel
Nip rollers on rear

8.0 PARTS
FIGURE 8.8



ITEM NO.	PART NO.	DESCRIPTION	QTY.
1	1700316	INSULATOR SET FOR MICA HEATERS	2
2	1700396	MICA HEATER ASS'Y	2
3	1700346	BRKT., TEMPERATURE LIMITING THERMOSTAT	1
4	1700393	TEMPERATURE LIMITING THERMOSTAT	1

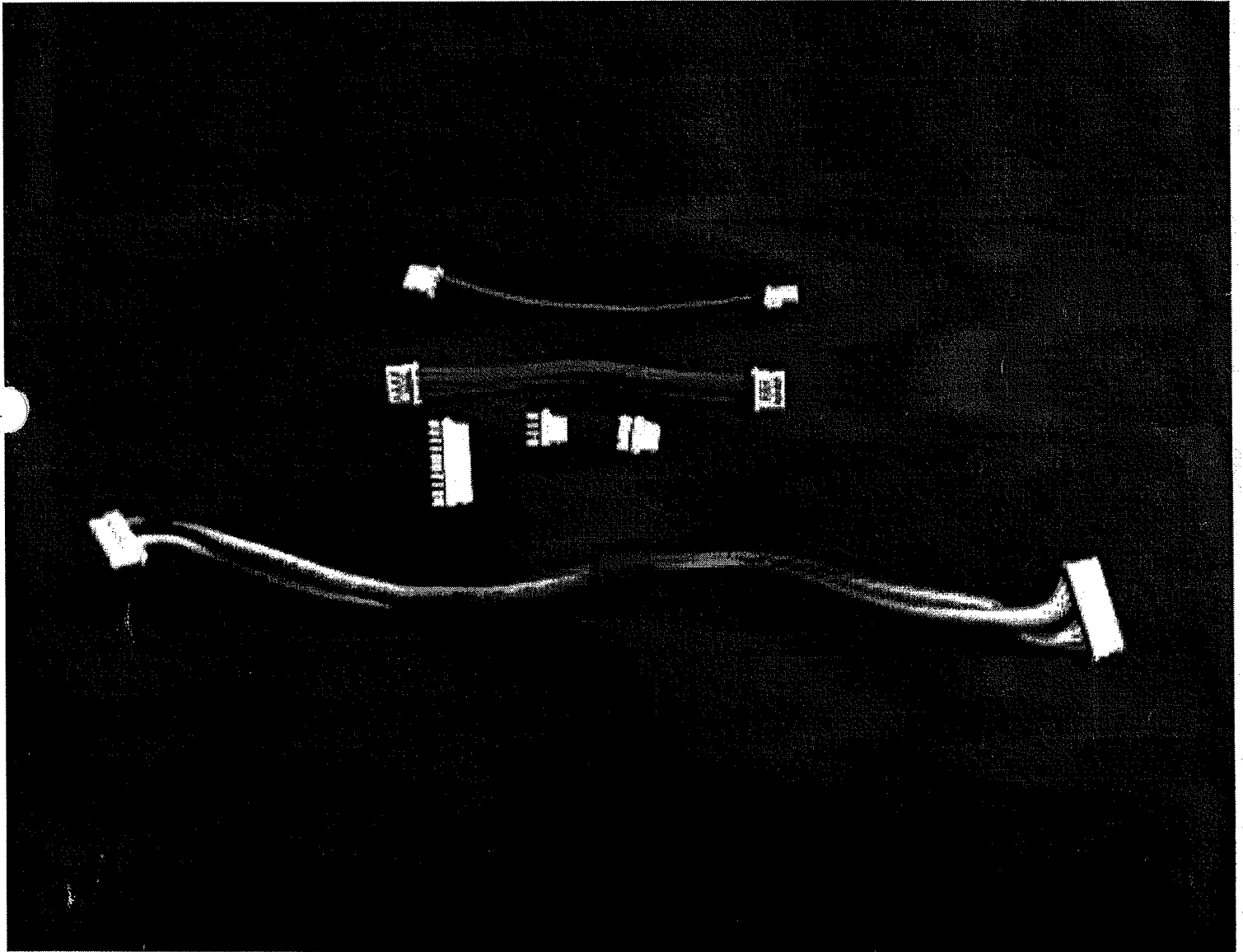
8.0 PARTS
FIGURE 8.9



ITEM NO.	PART NO.	DESCRIPTION	QTY.
1	1700397	INFRARED HEATER ASS'Y	2

GBC 3500 & 4500
PCB ADAPTOR KIT

(P/N 1701552)



NOTE: This kit is Required when Replacing the main PCB in a GBC 3500 with the old PCB connectors. The 4500 uses the same ribbon cable.