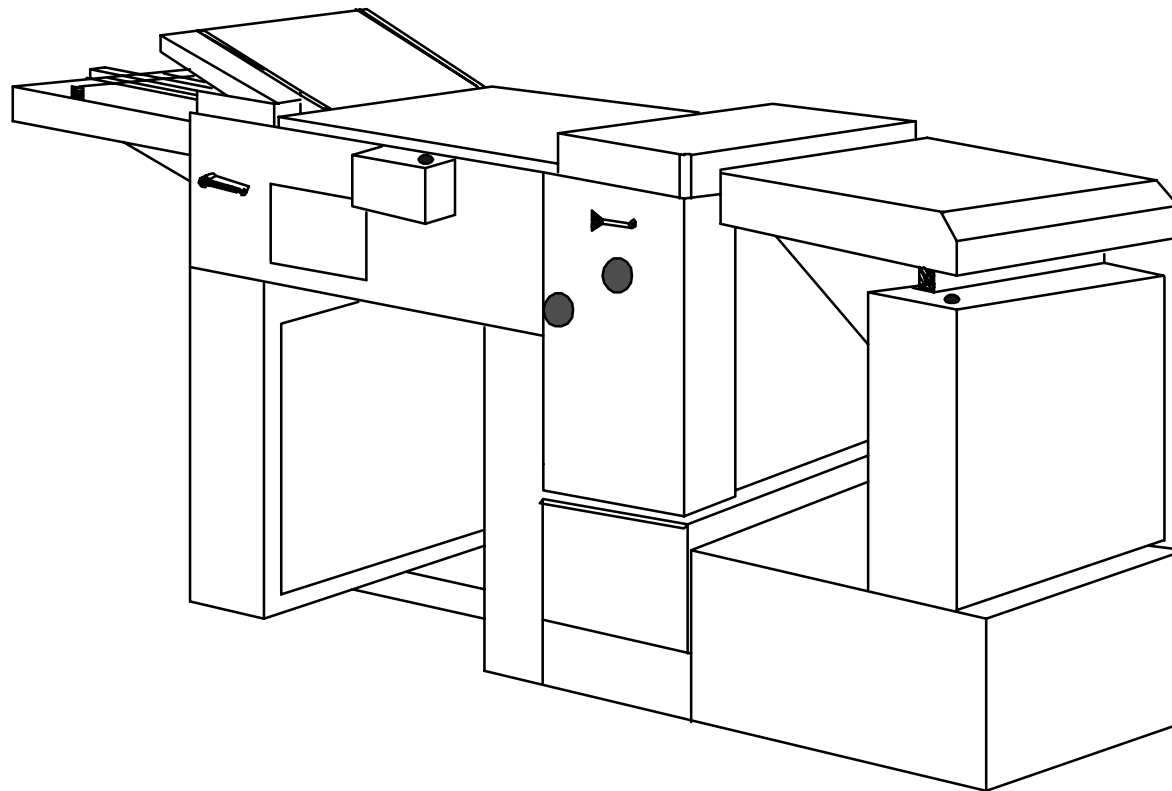

GBC Fusion Punch Offset Stacker Parts Manual



***Revision: Internal Release
March 26, 2001
9:00 PM
J Daniels
Part number: 1722680***

***GBC National Service
500 Bond Street
Lincolnshire, IL 60069
Ph: (800) 790 - 7787
Fax: (800) 314 - 5585***



NOTE: Certain components in this product are susceptible to damage from electrostatic discharge. Observe all ESD procedures to avoid component damage.

NOTICE

All service documentation is supplied to external customers for informational purposes only. Service documentation is intended for use by certified, product trained service personnel only. GBC does not warrant or represent that such documentation is complete. GBC does not represent or warrant that it will notify or provide to such customer any future changes to this documentation. Service by the customer of equipment, or modules, components, or parts of such equipment may void any otherwise applicable GBC warranties. If Customer services such equipment, modules, components, or parts thereof, Customer releases GBC from any and all liability for actions by the Customer, and Customer agrees to indemnify, defend, and hold GBC harmless from any third party claims which arise directly or indirectly from such service.

Prepared by:
GBC

© 2001 by GBC Corporation. All rights reserved.
GBC products mentioned in this publication are registered trademarks of the GBC Corporation.

Section Contents

PL 2.2 A Offset Stacker Control Panel Assy.	2
PL 3.2 A Single Stacker Electronic Assy.	4
PL 3.2 B Dual Stacker Electronic Assy.	6
PL 3.2 C 3rd Party Stacker Electronic Assy.	8
PL 5.1 A Offset Stacker Assy.	10
PL 5.1 B Offset Stacker Assy.	12
PL 5.1 C Offset Stacker Assy.	14
PL 5.1 D Offset Stacker Assy.	16
PL 5.1 E Offset Stacker Assy.	18
Common Hardware List	20
Part Number Index	21
Addenda (Kits, Upgrades, Retrofits, Etc...)	24
Speed Up Kits	24
Upgrades	24
Software Upgrades	24

Introduction

This document has been written as an Addendum to the GBC Fusion Punch Service Manual, which has not yet been released. This is a Preliminary Section 5 of the GBC Fusion Punch Service Manual.

Overview

The Parts Lists section provides exploded view illustrations of all spared subsystem components and a listing of the corresponding part numbers. The illustrations show the relationships between parts.

Organization of this Section

The following elements make up the Parts List section:

Parts Lists (PL)

Each item number in the part numbers listing corresponds to an item number in the illustration. All the parts in a given subsystem of the machine will be located in the same illustration or in a series of associated illustrations.

Exploded View Illustrations

An item that is called out on an illustration has a corresponding listing within this section.

Components are given item numbers that correspond to the part number listings. All common hardware are call out by letters.

Common Hardware List

All common hardware used in the system is listed in numerical order. This list also includes total quantity of each item used in the system.

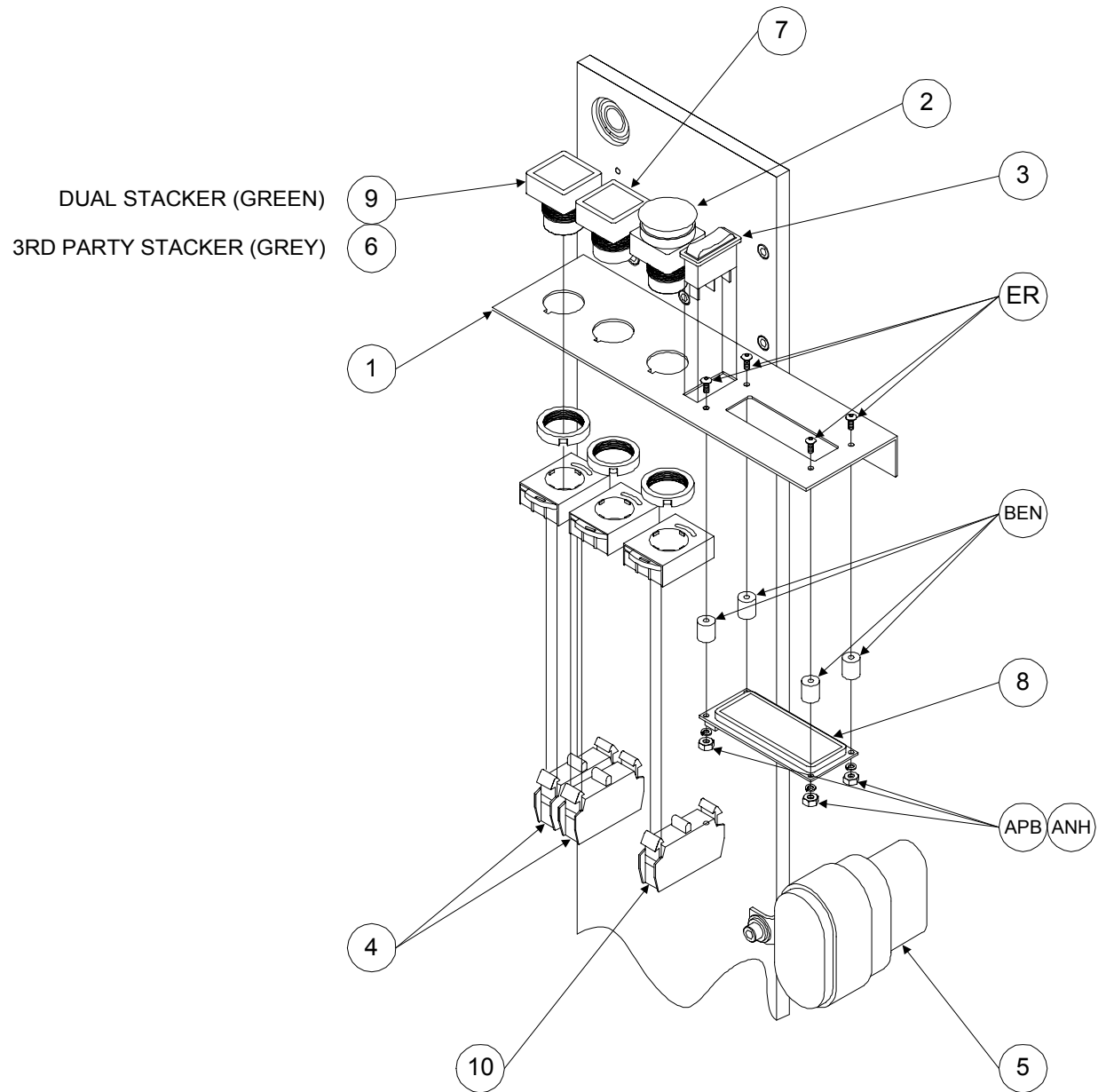
Part Number Index

This index lists all the spared parts in the system in numerical order. Each number is followed by a reference to the parts list on which the part may be found.

Addenda

The addenda includes any Parts Kits, Retrofits, Part changes, and Upgrades. Part numbers, descriptions, and quantities are also listed.

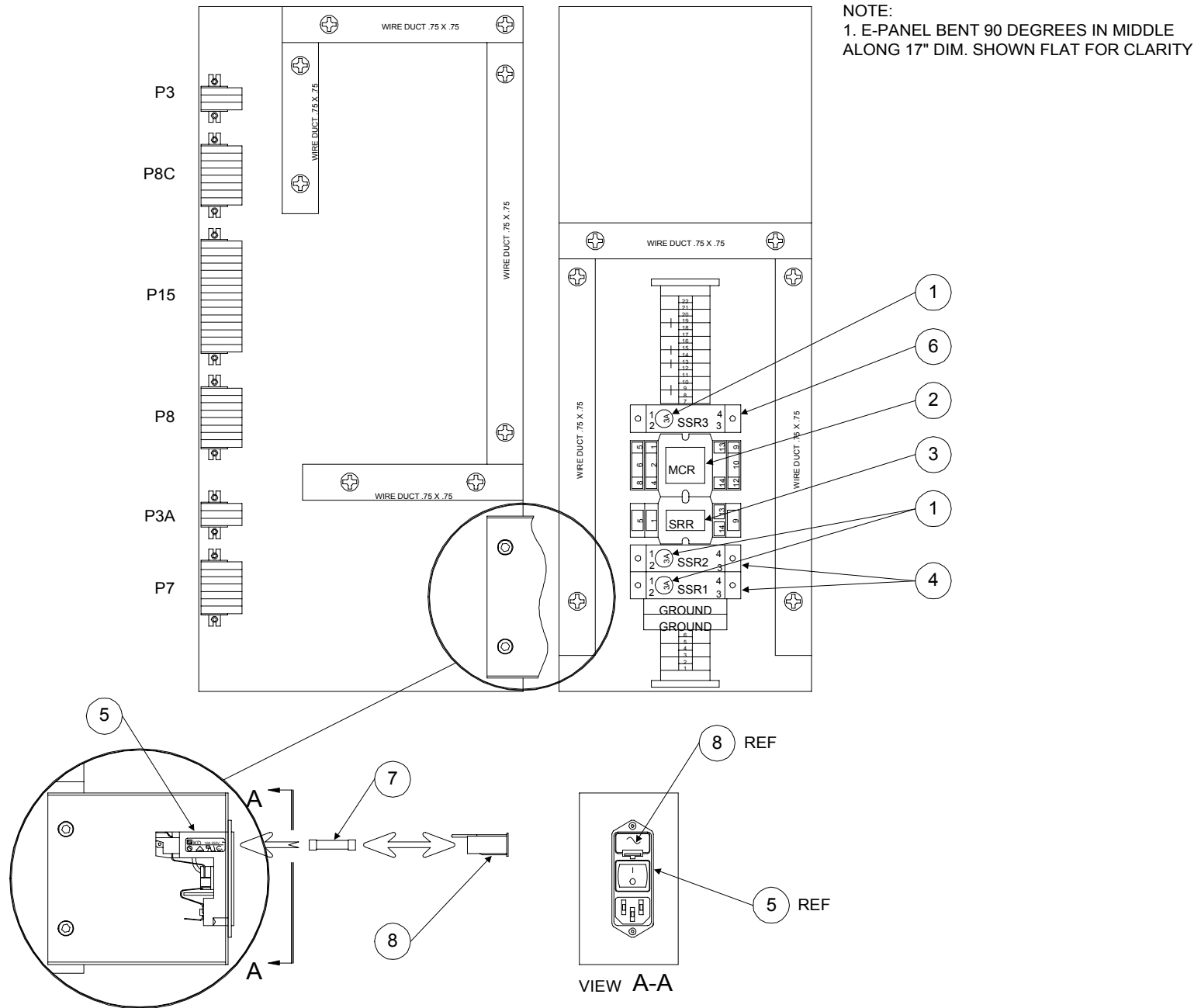
PL 2.2 A Offset Stacker Control Panel Assy.



PL 2.2 A Offset Stacker Control Panel Assy.

Item	Part #	Description	Qty
1	0130200500	Plate, Control Panel Assy.	1
2	7610732	Button, Estop, Mushroom, Red	1
3	7610730	Switch, Rocker, Black	1
4	7610733	Contact Block.....	2
5	7610734	Capacitor, 15mfd 370 VAC 60 HZ	1
6	7610736	Button, Push, Square, Grey (3rd Party Stacker)	1
7	7610737	Button, Push, Square, Black	1
8	7610738	Assy., LCD Display	1
9	7610752	Button, Push, Square, Green (Dual Stacker)	1
10	7610772	Contact Block.....	1
BEN	1924841	Standoff 1/4	4
ANH	1926067	Washer, Lock #2	4
APB	1926714	Nut, Hex 2-56.....	4
ER	1980206	BHCS 2-56 x 1/2	4

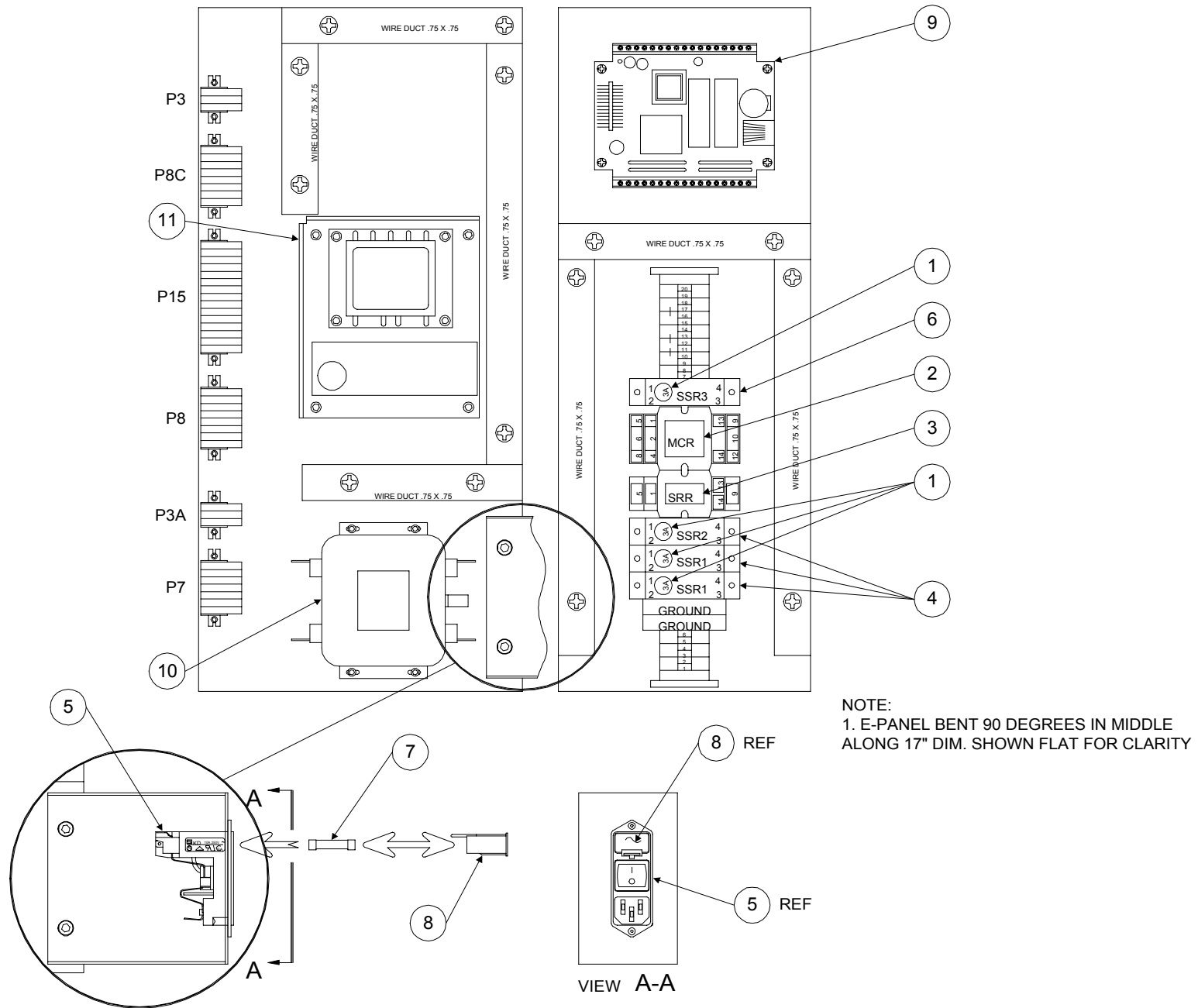
PL 3.2 A Single Stacker Electronic Assy.



PL 3.2 A Single Stacker Electronic Assy.

Item	Part #	Description	Qty
1	0220262700	Fuse, Slow Blow 3.15 amp	4
2	7610760	Relay, Mechanical, 3PDT	1
3	7610761	Relay, Mechanical, SPDT	1
4	7610758	Relay, Solid State, AC	3
5	7610762	Module, AC Power Entry	1
6	7610759	Relay, Solid State, DC	1
7	7610763	Fuse, Slow Blow, Glass, 4 Amp	2
8	7610766	Drawer, Fuse	1

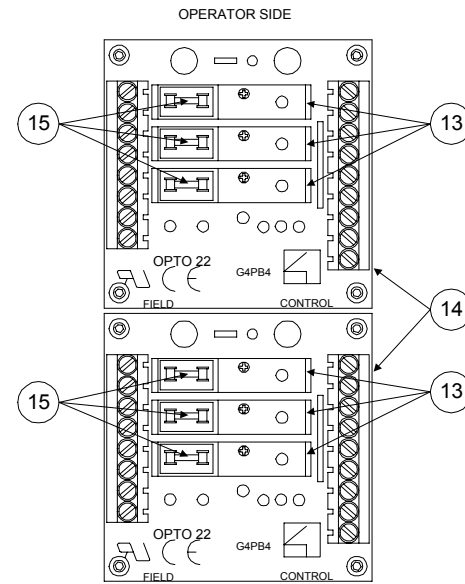
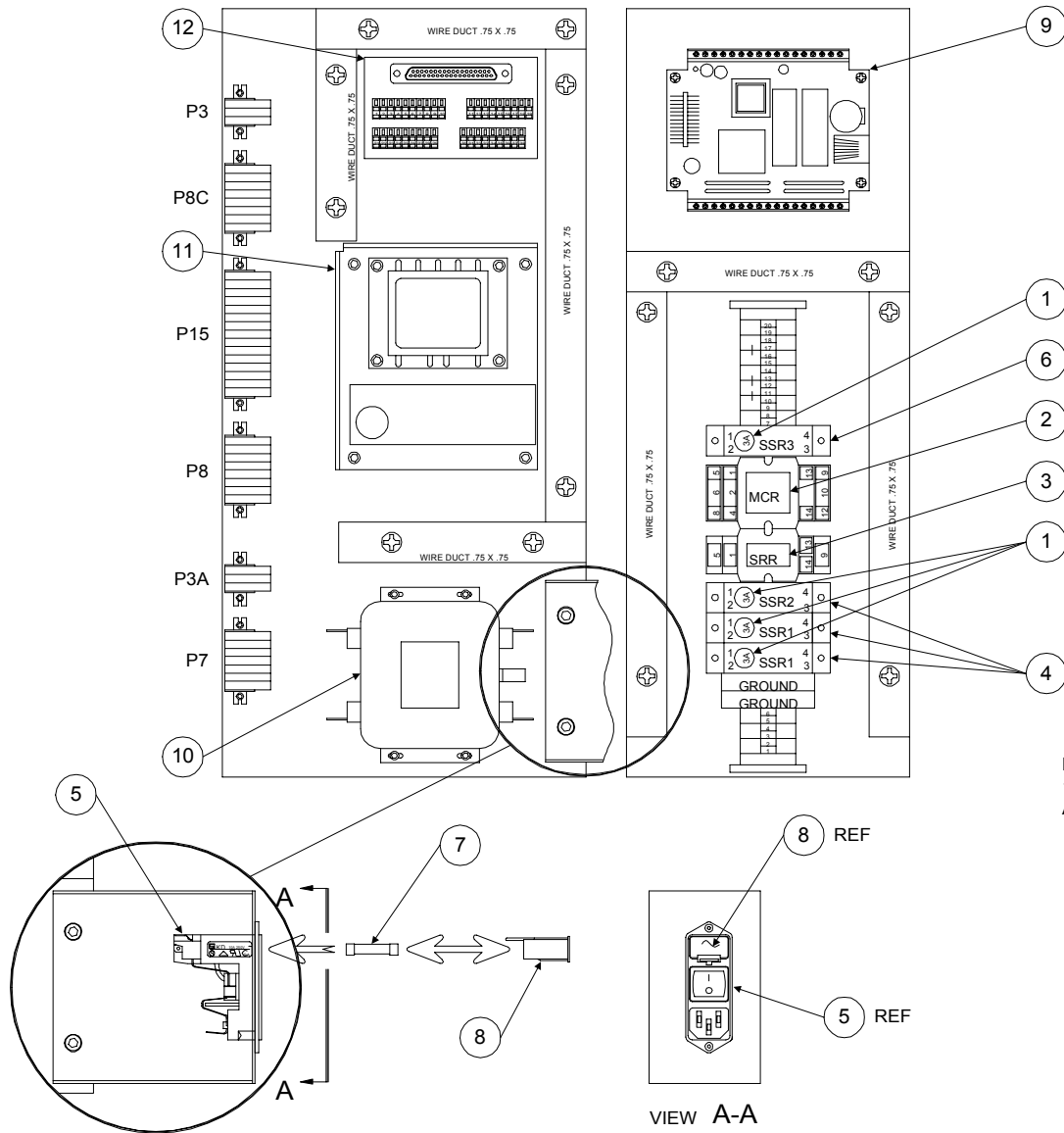
PL 3.2 B Dual Stacker Electronic Assy.



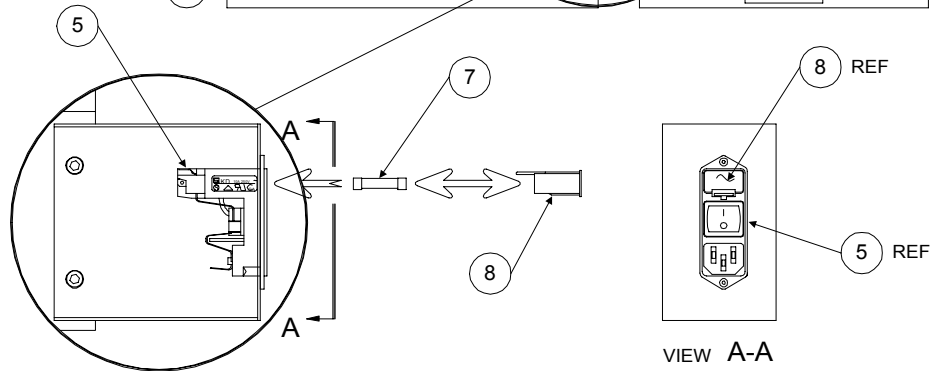
PL 3.2 B Dual Stacker Electronic Assy.

Item	Part #	Description	Qty
1	0220262700	Fuse, Slow Blow 3.15 amp	4
2	7610760	Relay, Mechanical, 3PDT	1
3	7610761	Relay, Mechanical, SPDT	1
4	7610758	Relay, Solid State, AC	3
5	7610762	Module, AC Power Entry	1
6	7610759	Relay, Solid State, DC	1
7	7610763	Fuse, Slow Blow, Glass, 4 Amp	2
8	7610766	Drawer, Fuse	1
9	7610768	Little Star Controller PWB	1
10	7610769	Filter, Line	1
11	7610770	24 VDC Power Supply PWB	1

PL 3.2 C 3rd Party Stacker Electronic Assy.



NOTE:
 1. E-PANEL BENT 90 DEGREES IN MIDDLE
 ALONG 17" DIM. SHOWN FLAT FOR CLARITY



PL 3.2 C 3rd Party Stacker Electronic Assy.

Item	Part #	Description	Qty
1	0220262700	Fuse, Slow Blow 3.15 amp	4
2	7610760	Relay, Mechanical, 3PDT	1
3	7610761	Relay, Mechanical, SPDT	1
4	7610758	Relay, Solid State, AC	3
5	7610762	Module, AC Power Entry	1
6	7610759	Relay, Solid State, DC	1
7	7610763	Fuse, Slow Blow, Glass, 4 Amp	2
8	7610766	Drawer, Fuse	1
9	7610768	Little Star Controller PWB	1
10	7610769	Filter, Line	1
11	7610770	24 VDC Power Supply PWB	1
12	7610771	37 Pin WAGO I/O PWB	1
13	7610460	Relay, Opto, DC	6
14	7610775	Opto 22 PWB	2
15	7610729	Fuse, Slow Blow, Glass, 3 Amp	6

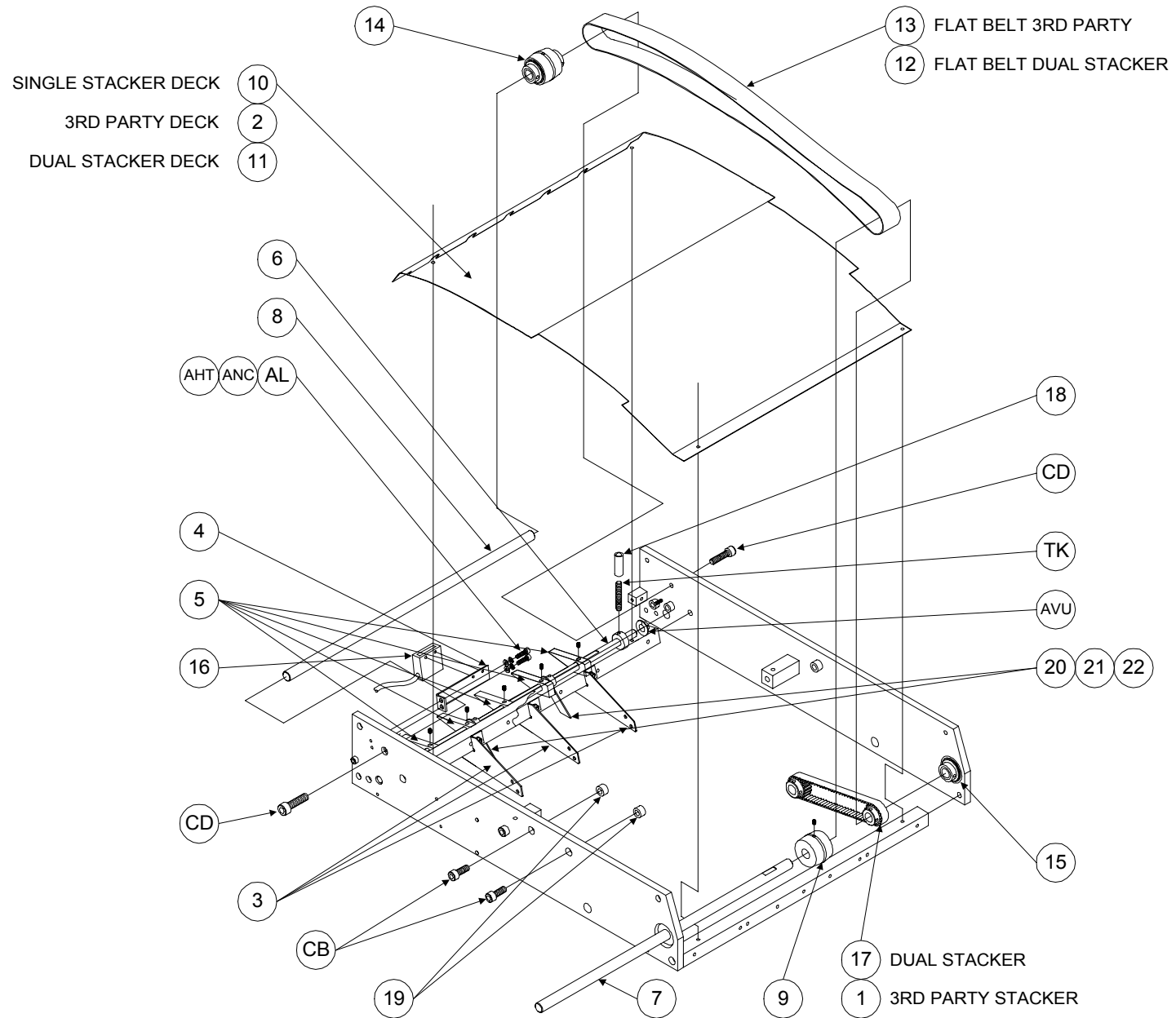
PL 5.1 A Offset Stacker Assy.

Item	Part #	Description	Qty	Item	Part #	Description	Qty
1	0130005300	Assy., Belt Take up	1	RH	1900008	SHSS 6-32 x 1/8	1
2	0130040100	Pulley, 16 Tooth, Bypass Output (3rd Party Stacker) ..	1	SE	1900028	SHSS 10-32 x 3/16	5
3	0130040300	Pulley, 22 Tooth, Bypass 6180 Speed	1	BEQ	1924843	Standoff (3rd Party Stacker Only)	1
4	0130202500	Tapper, Finger	5	BEV	1924844	Standoff, Threaded	2
5	0130209400	Shaft, Bypass Drive	1	AHP	1925060	Washer, Flat #10	11
6	0130209500	Side Plate, Main Drive Support	2	AHQ	1925061	Washer, Flat 1/4	3
7	0130209600	Standoff, Threaded	2	AHT	1925064	Washer, Flat #8	2
8	1981308	Belt, Timing, Bypass Output	1	AJD	1925184	Washer, Flat, Extra Thick	1
9	1981347	Belt, Timing, Bypass Drive	1	AKG	1925221	Washer, Flat, Non-Metallic	1
10	7610045	Pulley, 28 Tooth, Bypass Output	1	ANC	1926062	Washer, Lock #8	2
11	7610046	Tapper	5	AND	1926063	Washer, Lock #10	11
12	7610049	Bracket, Tapper Solenoid	1	ANE	1926064	Washer, Lock 1/4	3
13	7610066	Shaft, Tapper Assy.	1	ANM	1926701	Nut, Hex 8-32	2
14	7610094	Gear, Spur, Molded 30 Tooth	1	ARD	1930516	E-Ring .375	1
15	7610158	Bearing, Flanged, 3/8	2	ARQ	1931526	Roll Pin, 3/16 x 5/8	1
16	7610168	Gear, Spur, Molded	1	BJ	1980072	SHCS 10-32 x 1/2	8
17	7610193	Solenoid, Rotary, Tapper Assy.	1	BS	1980080	SHCS 10-32 x 1 1/2	3
18	7610346	Bearing w/Collar 1/2	2	CB	1980094	SHCS 1/4-20 x 1/2	2
19	7610739	Pulley, 21 Tooth, Bypass 135 Speed	1	CM	1980103	SHCS 1/4-20 x 2	2
20	7610740	Motor, Bypass 115 VAC 60 HZ	1	CQ	1980106	SHCS 1/4-20 x 2 3/4	1
21	7610741	Mount, Bypass Motor	1				
22	7610742	Pulley, 24 Tooth, 135/6180 Speed	1				
23	7610743	Pulley, 15 Tooth, Bypass Output (Dual Stacker)	1				
24	7610747	Motor, Bypass 230 VAC 50 HZ	1				
25	7610754	Bearing, Cam Follower	1				

PL 5.1 B Offset Stacker Assy.

Item	Part #	Description	Qty
1	0130040100	Pulley, 16 Tooth, O-ring Drive Assy.	1
2	1981306	Belt, Timing, O-ring Motor	1
3	1981309	Belt, Timing, Tray Motor	1
4	7610029	Pulley, Timing, 20 Tooth, Stacker Assy.	2
5	7610045	Pulley, 28 Tooth, Tray Motor	1
6	7610073	Nut, Acme, Stacker Assy.	1
7	7610074	Screw, Acme, Stacker Assy.	1
8	7610092	Bracket, Almost Full & Full Switch	2
9	7610157	Bearing, Flanged, 1/2	1
10	7610158	Bearing, Flanged, 3/8	1
11	7610188	Switch, Almost Full & Full	2
12	7610748	Motor, Stacker Tray 115 VAC 60 HZ	1
13	7610749	Motor, Stacker Tray 230 VAC 50 HZ	1
14	7610750	Motor, Stacker O-ring 115 VAC 60 HZ	1
15	7610751	Motor, Stacker O-ring 230 VAC 50 HZ	1
16	7610754	Bearing, Cam Follower	2
BEP	1924842	Standoff 1/2	1
BER	1924844	Standoff 1 1/4	3
BES	1924845	Standoff 1 1/2	3
BET	1924846	Standoff 3/8	1
AHP	1925060	Washer, Flat #10	2
AHT	1925064	Washer, Flat #8	4
AKG	1925221	Washer, Flat, Non-Metallic	1
ANC	1926062	Washer, Lock #8	4
AND	1926063	Washer, Lock #10	2
AVU	1953636	Bushing, Flanged, Nylon 3/8	1
AL	1980045	SHCS 8-32 x 1/4	4
BS	1980080	SHCS 10-32 x 1 1/2	1
BT	1980081	SHCS 10-32 x 1 3/4	4
BU	1980082	SHCS 10-32 x 2	3

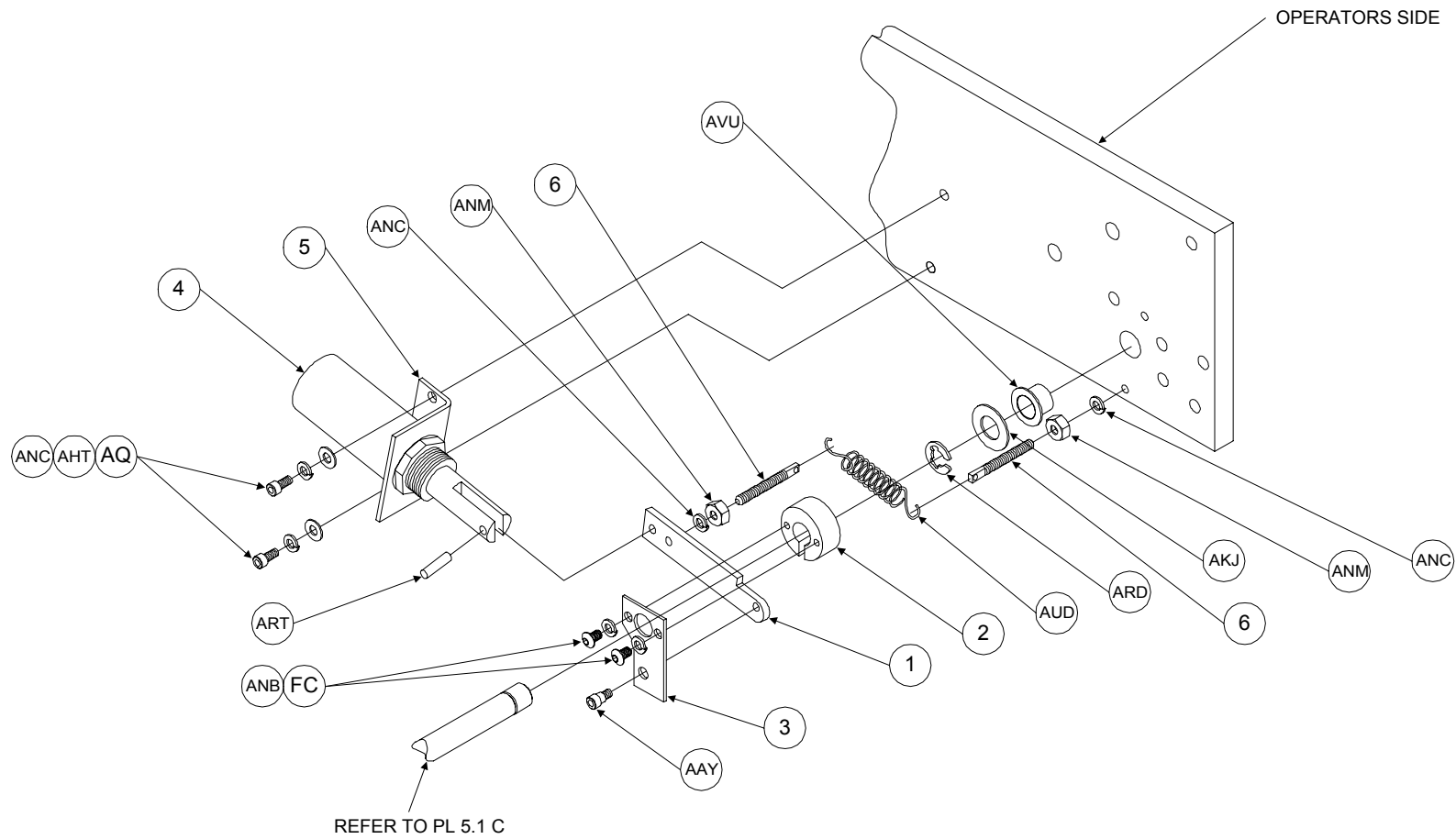
PL 5.1 C Offset Stacker Assy.



PL 5.1 C Offset Stacker Assy.

Item	Part #	Description	Qty
1	0130040100	Pulley, 16 Tooth, Bypass Output (3rd Party Stacker) .	1
2	0130204400	Deck, Bypass, 3rd Party Stacker	1
3	0130205300	Guide, Paper Infeed	3
4	0130205400	Bracket, Stacker Entrance Sensor	1
5	0130205600	Finger, Bypass Diverter	5
6	0130205700	Shaft, Bypass Diverter	1
7	0130207700	Shaft, Bypass Drive	1
8	0130207800	Shaft, Bypass Idler	1
9	0130208000	Pulley, Drive, Flat Belt	1
10	0130208200	Deck, Short, Single Stacker	1
11	0130208300	Deck, Bypass, Dual Stacker	1
12	0130209200	Belt, Flat, 3rd Party Stacker	1
13	0130209300	Belt, Flat, Dual Stacker	1
14	7610119	Assy., Idler Pulley, Flat Belt	1
15	7610346	Bearing w/Collar 1/2	2
16	7610424	Sensor, Stacker Entrance	1
17	7610743	Pulley, 15 Tooth, Bypass Output (Dual Stacker)	1
18	7610744	Tubbing, Polyurethane	1
19	7610753	Standoff, Threaded 3/8	5
20	0130040900	Finger, Hold Down Offset Stacker Assy.	2
21	0130006000	Bushing, Hold Down Finger	2
22	0751007000	SHSS, Hold Down Finger Bushing	2
TK	1900058	SHSS 1/4-20 x 1 1/2	1
AHT	1925064	Washer, Flat #8	2
ANC	1926062	Washer, Lock #8	2
AVU	1953636	Bushing, Flanged, Nylon 3/8	2
AL	1980045	SHCS 8-32 x 1/4	2
CB	1980094	SHCS 1/4-20 x 1/2	2
CD	1980095	SHCS 1/4-20 x 5/8	2

PL 5.1 D Offset Stacker Assy.



PL 5.1 D Offset Stacker Assy.

Item	Part #	Description	Qty
1	0130207200	Linkage, Bypass Diverter Solenoid	1
2	0130207300	Collar, Bypass Diverter Solenoid	1
3	0130207400	Plate, Bypass Diverter Solenoid	1
4	7610172	Solenoid, Tubular, Bypass Diverter	1
5	7610317	Bracket, Bypass Diverter Solenoid	1
6	7610746	Anchor, Spring	2
AAY	1900841	SHLDR Screw, 3/16 x 1/8	1
AHT	1925064	Washer, Flat #8	2
AKJ	1925223	Washer, Flat, Non-Metallic	1
ANB	1926061	Washer, Lock #6	2
ANC	1926062	Washer, Lock #8	4
ANM	1926701	Nut, Hex 8-32	2
ARD	1930516	E-Ring .375	1
ART	1931529	Roll Pin, 1/8 x 1/2	1
AUD	1935322	Spring, Extension	1
AVU	1953636	Bushing, Flanged, Nylon 3/8	1
AQ	1980049	SHCS 8-32 x 1/2	2
FC	1980230	BHCS 6-32 x 1/4	2

PL 5.1 E Offset Stacker Assy.

Item	Part #	Description	Qty	Item	Part #	Description	Qty
1	0130040100	Pulley, 16 Tooth, O-ring Drive Assy.	1	RH	1900008	SHSS 6-32 x 1/8	1
2	0130203500	Pivot, O-ring Drive Assy.	1	AAQ	1900834	SHLDR Screw, 1/4 x 3/8	2
3	0130207000	Assy., Offset Roller	2	AAY	1900841	SHLDR Screw, 3/16 x 1/8	2
4	7610043	Bracket, Pivot O-ring Drive Assy.	1	AJN	1925203	Washer, Flat, Non-Metallic	2
5	7610044	Bracket, Angle, O-ring Drive Assy.	2	AKU	1925233	Washer, Flat, Non-Metallic	6
6	7610047	Shaft, Pivot, O-ring Drive Assy.	1	APU	1926731	Nut, Hex 10-32	1
7	7610048	Pulley, V, O-ring Drive Assy.	1	ARG	1930522	E-Ring .5	2
8	7610053	O-ring, O-ring Roller Assy.	2	ARR	1931527	Roll Pin, 3/32 x 1/4	2
9	7610056	O-ring, O-ring Drive Assy.	1	BHB	1932702	Collar, Clamp, O-ring Drive Assy.	2
10	7610058	Back Stop, Stacker Assy.	1	ASR	1935211	Spring, Comp.	1
11	7610088	Frame, O-ring Drive Assy.	1	ASS	1935312	Spring, Extention, Upper Switch Assy.	1
12	7610089	Bracket, Upper Switch	1	AUV	1953613	Bushing, Flanged, Nylon 3/16	2
13	7610093	Plate, Adjustable, Upper Switch	1	AVD	1953621	Bushing, Flanged, Nylon 1/2	2
14	7610095	Rod, Tie, O-ring Drive Assy.	1	AVP	1953631	Bushing, Flanged, Nylon	1
15	7610096	Shaft, Transfer, O-ring Drive Assy.	1	BS	1980080	SHCS 10-32 x 1 1/2	1
16	7610098	Pivot, O-ring Drive Assy.	1	FS	1980254	BHCS 8-32 x 1/4	4
17	7610117	Arm, O-ring Drive Assy.	1	MU	1980477	FHCS 10-32 x 1/4	2
18	7610118	Linkage, Offset Steering Rod	2				
19	7610172	Solenoid, Tubular, Offset	2				
20	7610187	Switch, Upper	1				
21	7610258	Pulley, V, O-ring Drive Assy.	3				

Common Hardware List

Item	Part #	Description	Qty	Item	Part #	Description	Qty
RH	1900008	SHSS 6-32 x 1/8	2	ARR	1931527	Roll Pin, 3/32 x 1/4	2
SE	1900028	SHSS 10-32 x 3/16	5	ART	1931529	Roll Pin, 1/8 x 1/2	2
TK	1900058	SHSS 1/4-20 x 1 1/2	1	BHB	1932702	Collar, Clamp, O-ring Drive Assy.	2
AAQ	1900834	SHLDR Screw, 1/4 x 3/8	2	ASR	1935211	Spring, Comp.	1
AAY	1900841	SHLDR Screw, 3/16 x 1/8	3	ASS	1935312	Spring, Extension, Upper Switch Assy.	1
BEN	1924841	Standoff 1/4	4	AUD	1935322	Spring, Extension	2
BEP	1924842	Standoff 1/2	1	AUV	1953613	Bushing, Flanged, Nylon 3/16	2
BEQ	1924843	Standoff (3rd Party Stacker Only)	1	AVD	1953621	Bushing, Flanged, Nylon 1/2	2
BEV	1924844	Standoff, Threaded	5	AVP	1953631	Bushing, Flanged, Nylon	1
BES	1924845	Standoff 1 1/2	3	AVU	1953636	Bushing, Flanged, Nylon 3/8	4
BET	1924846	Standoff 3/8	1	AL	1980045	SHCS 8-32 x 1/4	6
AHP	1925060	Washer, Flat #10	13	AQ	1980049	SHCS 8-32 x 1/2	2
AHQ	1925061	Washer, Flat 1/4	2	BJ	1980072	SHCS 10-32 x 1/2	8
AHT	1925064	Washer, Flat #8	10	BS	1980080	SHCS 10-32 x 1 1/2	5
AJD	1925184	Washer, Flat, Extra Thick	1	BT	1980081	SHCS 10-32 x 1 3/4	4
AJN	1925203	Washer, Flat, Non-Metallic	2	BU	1980082	SHCS 10-32 x 2	3
AKG	1925221	Washer, Flat, Non-Metallic	2	CB	1980094	SHCS 1/4-20 x 1/2	4
AKJ	1925223	Washer, Flat, Non-Metallic	2	CD	1980095	SHCS 1/4-20 x 5/8	2
AKU	1925233	Washer, Flat, Non-Metallic	6	CM	1980103	SHCS 1/4-20 x 2	2
ANB	1926061	Washer, Lock #6	4	CQ	1980106	SHCS 1/4-20 x 2 3/4	1
ANC	1926062	Washer, Lock #8	12	ER	1980206	BHCS 2-56 x 1/2	4
AND	1926063	Washer, Lock #10	13	FC	1980230	BHCS 6-32 x 1/4	2
ANE	1926064	Washer, Lock 1/4	3	FS	1980254	BHCS 8-32 x 1/4	4
ANH	1926067	Washer, Lock #2	8	MU	1980477	FHCS 10-32 x 1/4	2
ANM	1926701	Nut, Hex 8-32	4				
APB	1926714	Nut, Hex 2-56	8				
APU	1926731	Nut, Hex 10-32	2				
ARD	1930516	E-Ring .375	2				
ARG	1930522	E-Ring .5	2				
ARQ	1931526	Roll Pin, 3/16 x 5/8	1				

Part Number Index

Part #	Description	PL
0130005300	Assy., Belt Take up	5.1 A
0130040100	Pulley, 16 Tooth, Bypass Output (3rd Party Stacker)	5.1 A, 5.1 C
0130040100	Pulley, 16 Tooth, O-ring Drive Assy.	5.1 B, 5.1 E
0130040300	Pulley, 22 Tooth, Bypass 6180 Speed	5.1 A
0130200500	Plate, Control Panel Assy.	2.2 A
0130202500	Tapper, Finger	5.1 A
0130203500	Pivot, O-ring Drive Assy.	5.1 E
0130204400	Deck, Bypass, 3rd Party Stacker	5.1 C
0130205300	Guide, Paper Infeed	5.1 C
0130205400	Bracket, Stacker Entrance Sensor	5.1 C
0130205600	Finger, Bypass Diverter	5.1 C
0130205700	Shaft, Bypass Diverter	5.1 C
0130207000	Assy., Offset Roller	5.1 E
0130207200	Linkage, Bypass Diverter Solenoid	5.1 D
0130207300	Collar, Bypass Diverter Solenoid	5.1 D
0130207400	Plate, Bypass Diverter Solenoid	5.1 D
0130207700	Shaft, Bypass Drive	5.1 C
0130207800	Shaft, Bypass Idler	5.1 C
0130208000	Pulley, Drive, Flat Belt	5.1 C
0130208200	Deck, Short, Single Stacker	5.1 C
0130208300	Deck, Bypass, Dual Stacker	5.1 C
0130209200	Belt, Flat, 3rd Party Stacker	5.1 C
0130209300	Belt, Flat, Dual Stacker	5.1 C
0130209400	Shaft, Bypass Drive	5.1 A
0130209500	Side Plate, Main Drive Support	5.1 A
0130209600	Standoff, Threaded	5.1 A
0220262700	Fuse, Slow Blow 3.15 amp	3.2 A, 3.2 B, 3.2 C
1981306	Belt, Timing, O-ring Motor	5.1 B
1981308	Belt, Timing, Bypass Output	5.1 A
1981309	Belt, Timing, Tray Motor	5.1 B
1981347	Belt, Timing, Bypass Drive	5.1 A
7610029	Pulley, Timing, 20 Tooth, Stacker Assy.	5.1 B
7610043	Bracket, Pivot O-ring Drive Assy.	5.1 E
7610044	Bracket, Angle, O-ring Drive Assy.	5.1 E
7610045	Pulley, 28 Tooth, Bypass Output	5.1 A
7610045	Pulley, 28 Tooth, Tray Motor	5.1 B
7610046	Tapper	5.1 A

Part Number Index

Part #	Description	PL
7610047	Shaft, Pivot, O-ring Drive Assy.	5.1 E
7610048	Pulley, V, O-ring Drive Assy.	5.1 E
7610049	Bracket, Tapper Solenoid	5.1 A
7610053	O-ring, O-ring Roller Assy.	5.1 E
7610056	O-ring, O-ring Drive Assy.	5.1 E
7610058	Back Stop, Stacker Assy.	5.1 E
7610066	Shaft, Tapper Assy.	5.1 A
7610073	Nut, Acme, Stacker Assy.	5.1 B
7610074	Screw, Acme, Stacker Assy.	5.1 B
7610088	Frame, O-ring Drive Assy.	5.1 E
7610089	Bracket, Upper Switch	5.1 E
7610092	Bracket, Almost Full & Full Switch	5.1 B
7610093	Plate, Adjustable, Upper Switch	5.1 E
7610094	Gear, Spur, Molded 30 Tooth	5.1 A
7610095	Rod, Tie, O-ring Drive Assy.	5.1 E
7610096	Shaft, Transfer, O-ring Drive Assy.	5.1 E
7610098	Pivot, O-ring Drive Assy.	5.1 E
7610117	Arm, O-ring Drive Assy.	5.1 E
7610118	Linkage, Offset Steering Rod	5.1 E
7610119	Assy., Idler Pulley, Flat Belt	5.1 C
7610157	Bearing, Flanged, 1/2	5.1 B
7610158	Bearing, Flanged, 3/8	5.1 A, 5.1 B
7610168	Gear, Spur, Molded	5.1 A
7610172	Solenoid, Tubular, Bypass Diverter	5.1 D
7610172	Solenoid, Tubular, Offset	5.1 E
7610187	Switch, Upper	5.1 E
7610188	Switch, Almost Full & Full	5.1 B
7610193	Solenoid, Rotary, Tapper Assy.	5.1 A
7610258	Pulley, V, O-ring Drive Assy.	5.1 E
7610317	Bracket, Bypass Diverter Solenoid	5.1 D
7610346	Bearing w/Collar 1/2	5.1 A, 5.1 C
7610424	Sensor, Stacker Entrance	5.1 C
7610460	Relay, Opto, DC	3.2 C
7610729	Fuse, Slow Blow, Glass, 3 Amp	3.2 C
7610730	Switch, Rocker, Black	2.2 A
7610732	Button, Estop, Mushroom, Red	2.2 A

Part Number Index

Part #	Description	PL
7610733	Contact Block	2.2 A
7610734	Capacitor, 15mfd 370 VAC 60 HZ	2.2 A
7610736	Button, Push, Square, Grey (3rd Party Stacker)	2.2 A
7610737	Button, Push, Square, Black	2.2 A
7610738	Assy., LCD Display	2.2 A
7610739	Pulley, 21 Tooth, Bypass 135 Speed	5.1 A
7610740	Motor, Bypass 115 VAC 60 HZ	5.1 A
7610741	Mount, Bypass Motor	5.1 A
7610742	Pulley, 24 Tooth, 135/6180 Speed	5.1 A
7610743	Pulley, 15 Tooth, Bypass Output (Dual Stacker)	5.1 A, 5.1 C
7610744	Tubbing, Polyurethane	5.1 C
7610746	Anchor, Spring	5.1 D
7610747	Motor, Bypass 230 VAC 50 HZ	5.1 A
7610748	Motor, Stacker Tray 115 VAC 60 HZ	5.1 B
7610749	Motor, Stacker Tray 230 VAC 50 HZ	5.1 B
7610750	Motor, Stacker O-ring 115 VAC 60 HZ	5.1 B
7610751	Motor, Stacker O-ring 230 VAC 50 HZ	5.1 B
7610752	Button, Push, Square, Green (Dual Stacker)	2.2 A
7610753	Standoff, Threaded 3/8	5.1 C
7610754	Bearing, Cam Follower	5.1 A, 5.1 B
7610758	Relay, Solid State, AC	3.2 A, 3.2 B, 3.2 C
7610759	Relay, Solid State, DC	3.2 A, 3.2 B, 3.2 C
7610760	Relay, Mechanical, 3PDT	3.2 A, 3.2 B, 3.2 C
7610761	Relay, Mechanical, SPDT	3.2 A, 3.2 B, 3.2 C
7610762	Module, AC Power Entry	3.2 A, 3.2 B, 3.2 C
7610763	Fuse, Slow Blow, Glass, 4 Amp	3.2 A, 3.2 B, 3.2 C
7610766	Drawer, Fuse	3.2 A, 3.2 B, 3.2 C
7610768	Little Star Controller PWB	3.2 B, 3.2 C
7610769	Filter, Line	3.2 B, 3.2 C
7610770	24 VDC Power Supply PWB	3.2 B, 3.2 C
7610771	37 Pin WAGO I/O PWB	3.2 C
7610772	Contact Block	2.2 A
7610775	Opto 22 PWB	3.2 C

Addenda (Kits, Upgrades, Retrofits, Etc...)

Speed Up Kits

Part #	Description	Qty
0130061000	Kit, Offset Stacker Speed up (6180)	1
0130050100	Kit, Punch Speed up for Pile Stacker (6180 / Includes Software P48)	1
0130050200	Kit, Punch Speed up for Offset Stacker (6180 / Includes Software P488).....	1

Upgrades

Part #	Description	Qty
0130207000	Assy., Inline Oring Roller	1
0130040900	Finger, Hold Down, Offset Stacker Assy.	2
0130006000	Bushing, for Hold Down Finger	2
0751007000	SHSS for Hold Down Finger	2

Software Upgrades

Part #	Description	Qty
0220262400	Eprom P488F (6180 Punch w / Single Offset Stacker Software)	2
xxxxxxxxxxx	Eprom P494F (6180 Punch w / Dual or 3rd Party Offset Stacker Software)	2
xxxxxxxxxxx	Eprom S434F (3rd Party Offset Stacker Software)	2
xxxxxxxxxxx	Eprom S449F (Dual Offset Stacker Software)	2