



EXPLORER 107

Parts List

GBC IS AN ACCO BRANDS COMPANY



8.0 Illustrated Parts

This section contains parts illustrations for Explorer 107 Laminator. Section 8.1 contains the cross reference list of part numbers to item descriptions. 8.2 contains the exploded view part illustrations.

For parts not illustrated, please call your regional service manager or National Service Parts for assistance at **1- 800 - 790 - 7787**.

Items not illustrated ;

**Operations Manual: 930 - 041
(Explorer 107)**

8.1 Cross reference of part numbers to item descriptions

Part #	Description	Unit	Qty
601210416	FILM SHAFT SUPPORT(UP,LEFT)	EA	1
601210417	FILM SHAFT SUPPORT(LOW.LEFT)	EA	1
601210418	FILM SHAFT SUPPORT(RIGHT)	EA	2
601211108	FILM PIPE PIN	EA	6
601211111	3"CORE BUSH STOPPER PIN	EA	1
601211125	SENSOR COVER(L)	EA	1
601211127	SENSOR COVER(R)	EA	1
601211130	HR2 FAN PLATE PAPER GUIDE	EA	7
601211167	HR2 THERMOSTAT BRAKET	EA	1
601211168	HR2 THERMOSTAT HOLDER PANEL	EA	1
601211174	PAPER GUIDE PLATE(L)	EA	1
601211175	PAPER GUIDE PLATE(R)	EA	1
601211185	HR2 IDLE GEAR BRACKET	EA	1
601220201	HR2 SIDE COVER(L)	EA	1
601220202	HR2 SIDE COVER(R)	EA	1
601220207	GMP-HR2 SIDE DOOR(L)	EA	1
601220208	GMP-HR2 SIDE DOOR(R)	EA	1
601220213	GMP-1075HR2 WORK DIE	EA	1
601220225	GMP-1075HR2 BOTTOM PLATE	EA	1
601220231	HR2 HEATER SUPPORT(UP/L,R)	EA	2
601220232	HR2 HEATER SUPPORT(LOW/L,R)	EA	2
601220233	GMP-HR2 BEARING MOUNT(6002)	EA	2
601220234	GMP-HR2 BEARING MOUNT(6000)	EA	6
601220236	HR2 FILM HOOK FIXTURE ANGLE	EA	2
601220240	GMP-HR2 ELECTRIC UNIT SUPPORT	EA	1
601220244	1075HR2 FLOW STOP PANEL	EA	2
601220248	1075HR2 BACK PANEL	EA	1
601220251	GMP-HR2 INTERLOCK KEY	EA	1
601220252	GMP-HR2 INTERLOCK KEY GUIDE	EA	1
601220253	GMP-HR2 INTERLOCK KEY(LOW)	EA	1
601220254	GMP-HR2 INTERLOCK KEY GUIDE(LOW)	EA	1
601220255	GMP-HR2 COVER BRACKET(R)	EA	1
601220256	GMP-HR2 COVER BRACKET(L)	EA	1
601230463	1075HR2 ROLLER PC COVER	EA	1
601230473	GMP-1075HR2 BACK PC COVER	EA	2
601230701	HR2 OUTER TENSION DISC	EA	2
601310514	HR2 HEAT SINK SUPPORT	EA	4
604020318	FILM EXTEND COVER(R)	EA	2
604022031	PAPER GUIDE	EA	2
604022032	PAPER GUIDE KNOB	EA	4

Part #	Description	Unit	Qty
604022033	SLITTER HOUSING	EA	1
604022034	SLITTING LEVER	EA	1
604022035	PAPER GUIDE CENTER KNOB	EA	2
604034703	GMP-1075HR2 T/ROLLER	EA	2
604034713	GMP-1075HR2 HEAT SHOE	EA	2
604034723	GMP-1075HR2 FAN PLATE	EA	2
604034733	GMP-1075HR2 FRONT TABLE	EA	1
604034738	GMP-1075HR2 REAR PANEL	EA	1
604034753	GMP-1075HR2 PLATE COVER	EA	1
604034763	GMP-1075HR2 BLADE PLATE	EA	1
604034767	GMP-1075HR2 AUXILIARY FRONT PLATE	EA	1
604035107	GMP-HR2 AL HEAT SINK	EA	2
604037022	AL 2"CORE BUSHING	EA	8
604037033	3"BLACK CORE BUSHING	EA	1
607040253	GMP-1075HR2 H/ROLLER	EA	2
607040263	GMP-1075HR2 P/ROLLER	EA	2
607040268	GMP-1075HR2 AT/ROLLER	EA	2
609040206	COOLING FAN AC 80mm	EA	2
609040402	COOLING FAN DC120mm	EA	16
609060101	DC GEARED MOTOR	EA	1
610011503	TRANSFORMER GM300	EA	1
610011603	TRANSFORMER GM9635	EA	1
613010113	SURE ECCENTRIC LEVER	EA	2
613010153	1075HR2 IDLE ROLLER	EA	3
613010416	HR2 CLUTCH SHAFT	EA	1
613010423	1075HR2 ECCENTRIC SHAFT	EA	2
613010613	GMP-1075HR2 FILM PIPE	EA	2
613010721	HR2 SIDE SLITTER SCREW	EA	2
613010722	SIDE SLITTER SCREW BUSHING	EA	2
613010723	SLITTER BLOCK	EA	1
613010724	SLITTER BLOCK CENTER	EA	2
613010725	SLITTER BLOCK CENTER LEVER	EA	3
613010726	SLITTER CENTER BLOCK PIN	EA	1
613010727	SLITTER COVER	EA	2
613010728	SLITTER COVER CENTER	EA	1
613010729	SLITTER BRACKET	EA	2
613010731	M5 BALL PLUNGER	EA	2
613010733	PUSH BLOCK	EA	2
613010734	HR2 ROTATION WHEEL	EA	2
613010735	SLITTER SPRING	EA	2

Part #	Description	Unit	Qty
613010736	LEVER GUIDE PANEL	EA	1
613010739	1075HR2 GUIDE BAR	EA	2
613010742	1075HR2 ROTATION BAR	EA	1
613010845	1075HR2 TIE BAR	EA	3
613010911	GMP-HR2 H/R HOOK(UP)	EA	2
613010912	GMP-HR2 H/R HOOK(LOW)	EA	2
613010913	GMP-HR2 P/R HOOK(UP)	EA	2
613010914	GMP-HR2 P/R HOOK (LOW)	EA	2
613010915	GMP-HR2 FILM SUPPORT(R)	EA	2
613011005	ROLL ECCENTRIC LEVER CAP	EA	2
613011051	HR2 ECCENTRIC BUSH	EA	4
613011054	HR2 POWDER BRAKE SUPPORT	EA	2
613011055	HR2 ECCENTRIC BLOCK	EA	4
613011315	GMP-HR2 DIE SPACER	EA	6
613020211	HR2 H/R LIFTING BAR	EA	4
613020212	HR2 P/R LIFTING BAR	EA	4
613020213	HR2 ECCENTRIC LEVER CAP	EA	2
613020221	HR2 FILM TENSION HANDLE	EA	2
613020223	HR2 TENSION WHEEL	EA	4
613020226	HR2 ROTATION HANDLE	EA	1
613020227	HR2 ENCODER COUPLE	EA	1
613020228	HR2 FILM SHAFT SUPPORT	EA	1
613020229	HR2 FILM SHAFT SUPPORT	EA	1
613020230	HR2 CORD HOLE CAP	EA	1
613030223	1075HR2 HEX FILM SHAFT	EA	2
613030527	EAGLE CORE BUSH BOLT	EA	4
613030546	HR2 FRONT TABLE SUPPORT PIN	EA	2
613030547	HR2 FRONT TABLE SUPPOER BLOCK	EA	2
613030548	GMP-HR2 FRONT TABLE BOSS	EA	2
613030553	HR2 IDLER PIN	EA	1
613030560	SURE FILM SHAFT ADAPTOR	EA	2
613030561	SURE FILM SHAFT CLAMP HANDLE	EA	2
613030562	SURE FILM SHAFT ADJUST HANDLE	EA	2
613030563	SURE FILM SHAFT HOUSING	EA	2
613030564	SURE FILM TENSION BOLT	EA	2
613030566	PAPER CENTER GUIDE	EA	1
613030567	FILM SHAFT TENSION BOLT	EA	2
613030581	GMP-HR2 FRONT TABLE CAP(R)	EA	1
613030582	GMP-HR2 FRONT TABLE CAP(L)	EA	1
613030613	FRONT TABLE SAFETY LEVER	EA	1

Part #	Description	Unit	Qty
613030622	ROLLER COVER SAFETY LEVER(LOW)	EA	2
701010103	BALL BEARING	EA	4
701010109	BALL BEARING	EA	16
701010114	BALL BEARING	EA	4
701010115	BALL BEARING	EA	6
701010116	BALL BEARING	EA	2
701020206	NIDDLE ROLL BEARING	EA	4
701020214	THRUST NIDDLE ROLL BEARING	EA	2
701050139	DU BEARING TUBE	EA	4
701050183	DU BEARING TUBE	EA	2
701070208	ROLLER CHAIN	EA	1
701070209	ROLLER CHAIN	EA	1
701070211	ROLLER CHAIN	EA	1
701070212	ROLLER CHAIN	EA	1
701080508	STEEL CHAIN GEAR(RS#35)	EA	1
701080519	STEEL CHAIN GEAR(RS#35)	EA	2
701080521	STEEL CHAIN GEAR(RS#35)	EA	2
701080522	STEEL CHAIN GEAR(RS#35)	EA	1
701090116	ROLLER SPRING	EA	8
701090141	ROLL FILM PIPE SPRING	EA	3
701090158	PULLING SPRING	EA	1
701090159	BLADE COVER LEVER SPRING	EA	1
701090160	SAFETY LEVER SPRING	EA	2
701090613	SPRING E RING	EA	2
701090709	SPRING S RING	EA	2
701090721	SPRING S RING	EA	2
701090722	SPRING S(IN)RING	EA	2
701090724	SPRING S RING	EA	4
701090826	SPRING PIN	EA	2
701090835	SPRING PIN	EA	2
701110203	PLATE WAHSER	EA	24
701110204	PLATE WASHER	EA	8
701110208	PLATE WASHER	EA	1
701110302	SPRING WASHER	EA	4
701110303	SPRING WASHER	EA	16
701110308	SPRING WASHER	EA	2
701110312	SPRING WASHER	EA	4
701120202	BRAIND RIBET STAINLESS	EA	8
701130420	TOOL L WRENCH SET	SET	1
701130503	CASTER(URETHANE)	EA	4

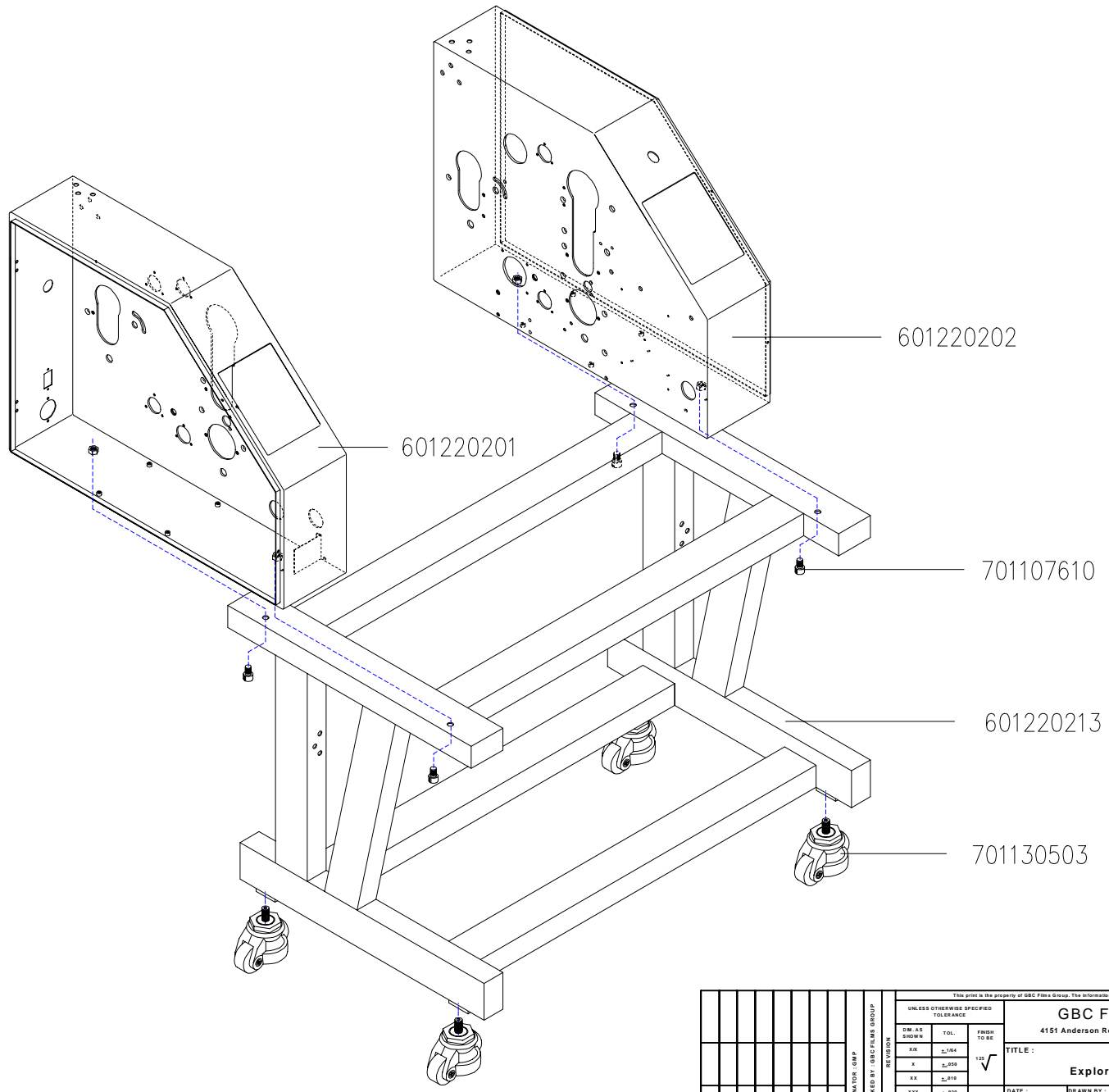
Part #	Description	Unit	Qty
701130701	KNOB (LMT)	EA	3
703020212	GMP-HR2 PLASTIC S/W PLATE	EA	1
703020213	GMP-HR2 PLASTIC S/W PLATE	EA	1
703022001	PLASTIC HINGE	EA	2
703022002	PLASTIC HINGE	EA	2
703040205	HR2 CHAIN TAKE UP	EA	3
703040211	TEFLON BUSH	EA	12
703070101	EAGLE/ULTIMA FRICTION DISC(SKIN)	EA	10
703070105	GMP-HR2 BRAKE PAD	EA	2
703070112	GMP-HR2 INSIDE TENSION DISC	EA	4
704020501	CABLE EUROPE380V	M	2
704041007	GMP-1075HR2 SHEATHED HEATER	EA	2
704060112	TERMINAL RING TYPE	EA	2
704090252	EMERGENCY SWITCH	EA	2
704090315	RUBBER S/W	EA	2
704090316	RUBBER S/W	EA	1
704090411	MICRO SWITCH (EAGLE)	EA	2
704090821	SAFETY SWITCH	EA	2
704091061	CIRCUIT BREAKER S/W	EA	1
704110254	POWER CORD SOCKET	EA	1
704110255	POWER CORD PLUG	EA	1
704120104	FUSE HOLDER ROUND	EA	2
704131504	CERAMIC TUBE FUSE 38mm	EA	2
704131508	CERAMIC TUBE FUSE 38mm	EA	2
704140410	CORD STOPPER	EA	2
704150104	BI-METAL THERMOSTAT	EA	4
704200101	FAN SAFETY NETTING	EA	2
704200102	FAN SAFETY NETTING	EA	32
704200311	POWDER BRAKE	EA	2
705031304	FERRITE EMI FILTER	EA	1
705090302	SOLID STATE RELAY	EA	4
706011126	PCB GMP-HR2 M1 ASS'Y	SET	1
706011127	PCB GMP-HR2 M2 ASS'Y	SET	1
706011128	PCB GMP-HR2 D1 ASS'Y	SET	1
706011129	PCB GMP-HR2 D2 ASS'Y	SET	1
706025037	GMP-1075HR2 INFRARED HEATER ASS'Y	SET	3
706025038	GMP-1075HR2 INFRARED HEATER ASS'Y	SET	3
7060402	SENSOR ASS'Y/EAGLE,EXCELAM	SET	4
802022701	GMP NAME PLATE	EA	1
802102301	S/W STICKER HR2-TEMP	EA	1

Part #	Description	Unit	Qty
802102302	S/W STICKER HR2-SPEED	EA	1
803040301	PRESSURE ADJUST STICKER	EA	2
803040321	WARNING GMP-HR2	EA	1
803040322	WARNING GMP-HR2	EA	2
8040201	CUTTER BLADE	EA	3



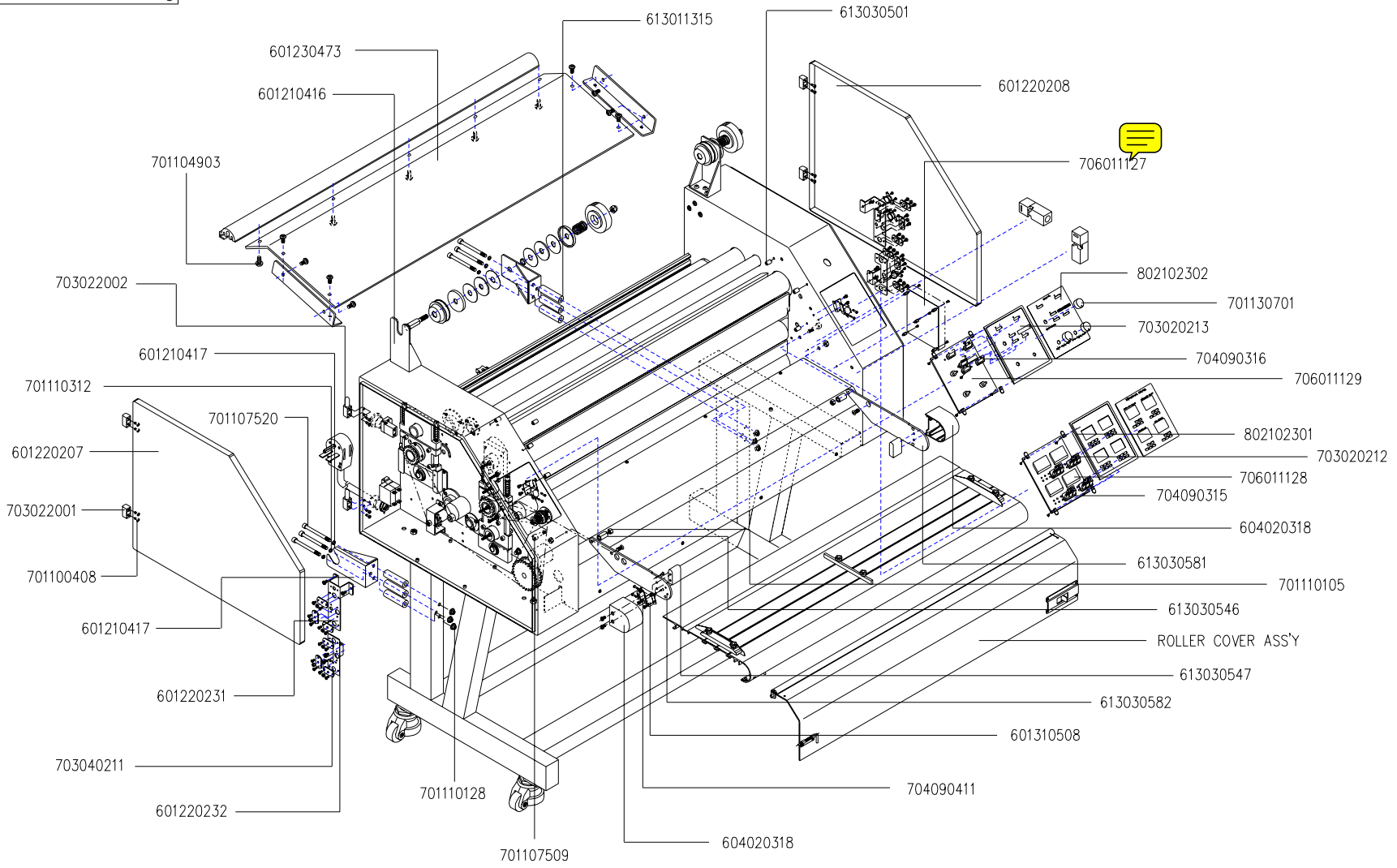
8.2 Exploded view part illustrations

PROPRIETARY
 GBC PRO-TECH CLAIMS PROPRIETARY RIGHTS TO THE MATERIAL DISCLOSED ON THIS DRAWING. IT IS ISSUED IN CONFIDENCE FOR ENGINEERING INFORMATION ONLY AND SHALL NOT BE REPRODUCED, COPIED OR DISCLOSED IN WHOLE OR IN PART, OR USED FOR MANUFACTURE OR FOR ANY OTHER PURPOSE WITHOUT WRITTEN PERMISSION FROM GBC PRO-TECH

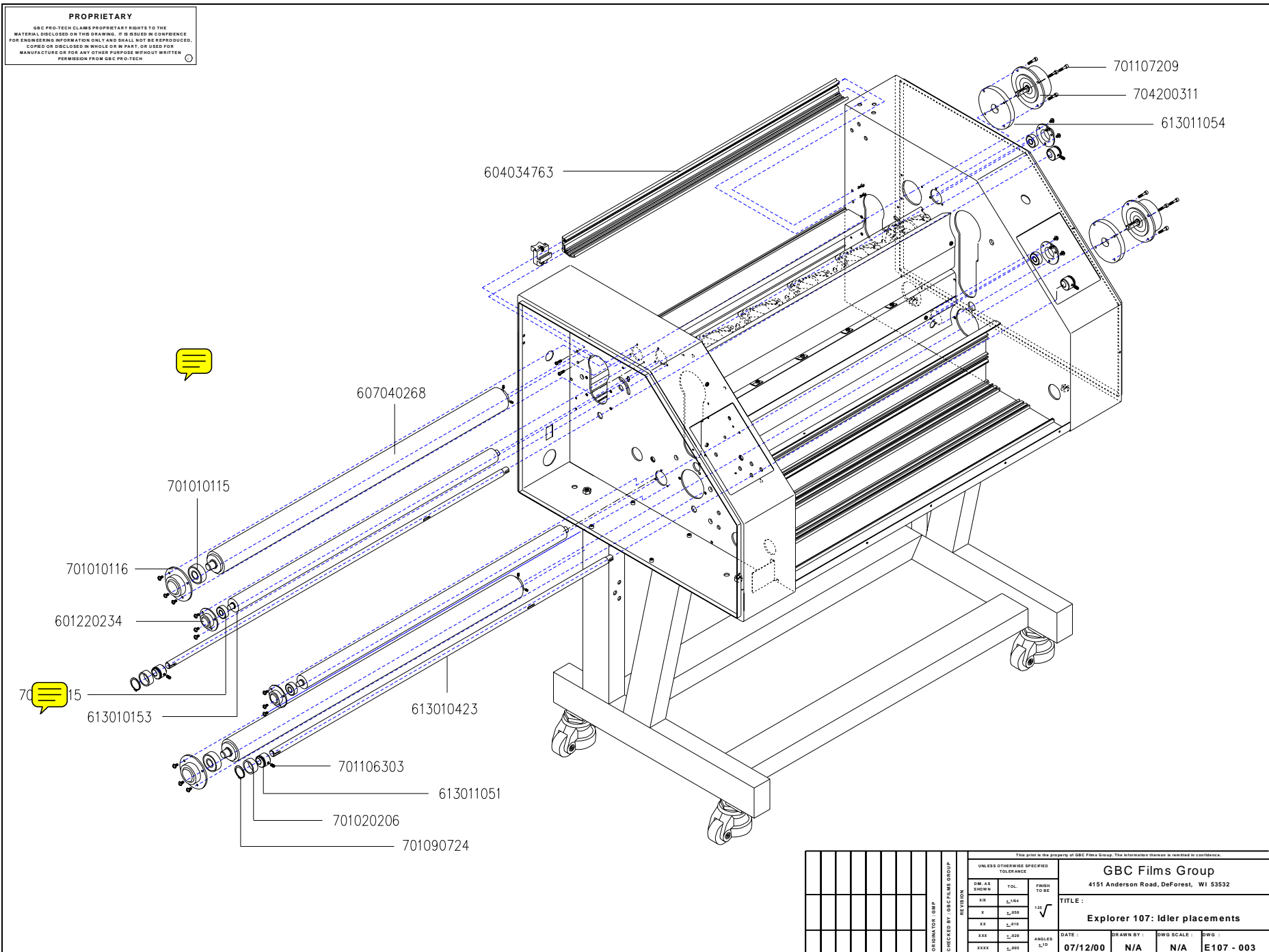


UNLESS OTHERWISE SPECIFIED TOLERANCE			GBC Films Group 4151 Anderson Road, DeForest, WI 53532	
DM AS SHOWN	TOL.	FINISH TO BE	TITLE :	
XX	±.164	125	Explorer 107: Frame	
X	±.050	✓	DATE :	DRAWN BY :
XX	±.010		07/12/00	N/A
XXX	±.020	ANGLES	DWG SCALE :	DWG :
XXXX	±.005	±1°	N/A	E107 - 001

PROPRIETARY
 GBC PRO-TECH CLAIMS PROPRIETARY RIGHTS TO THE MATERIAL DISCLOSED ON THIS DRAWING. IT IS ISSUED IN CONFIDENCE FOR ENGINEERING INFORMATION ONLY AND SHALL NOT BE REPRODUCED, COPIED OR DISCLOSED IN WHOLE OR IN PART, OR USED FOR MANUFACTURE OR FOR ANY OTHER PURPOSE WITHOUT WRITTEN PERMISSION FROM GBC PRO-TECH

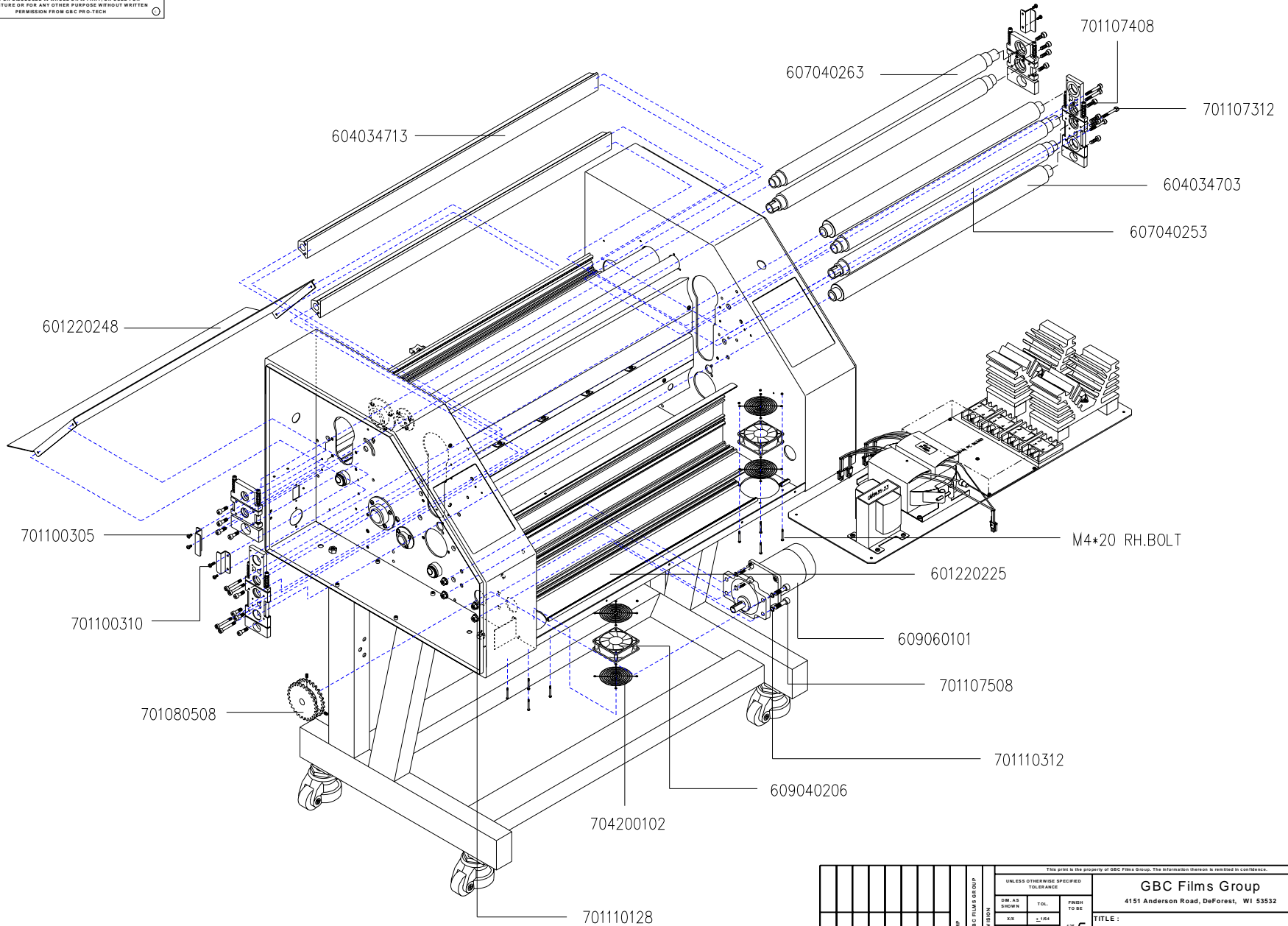


This print is the property of GBC Film's Group. The information herein is restricted in confidence.									
UNLESS OTHERWISE SPECIFIED					GBC Films Group				
TOLERANCE					4151 Anderson Road, DeForest, WI 53532				
DW. AS SHOWN					TITLE :				
XX	TOL.	FINISH	Explorer 107 : Frame and covers						
X	±.184	TO BE	DATE :						
X	±.000	125	07/12/00						
XX	±.010	✓	DRAWN BY :						
XXX	±.020	ANGLES	N/A						
XXXX	±.050	±.10	DWG SCALE :						
			E 107 - 002						



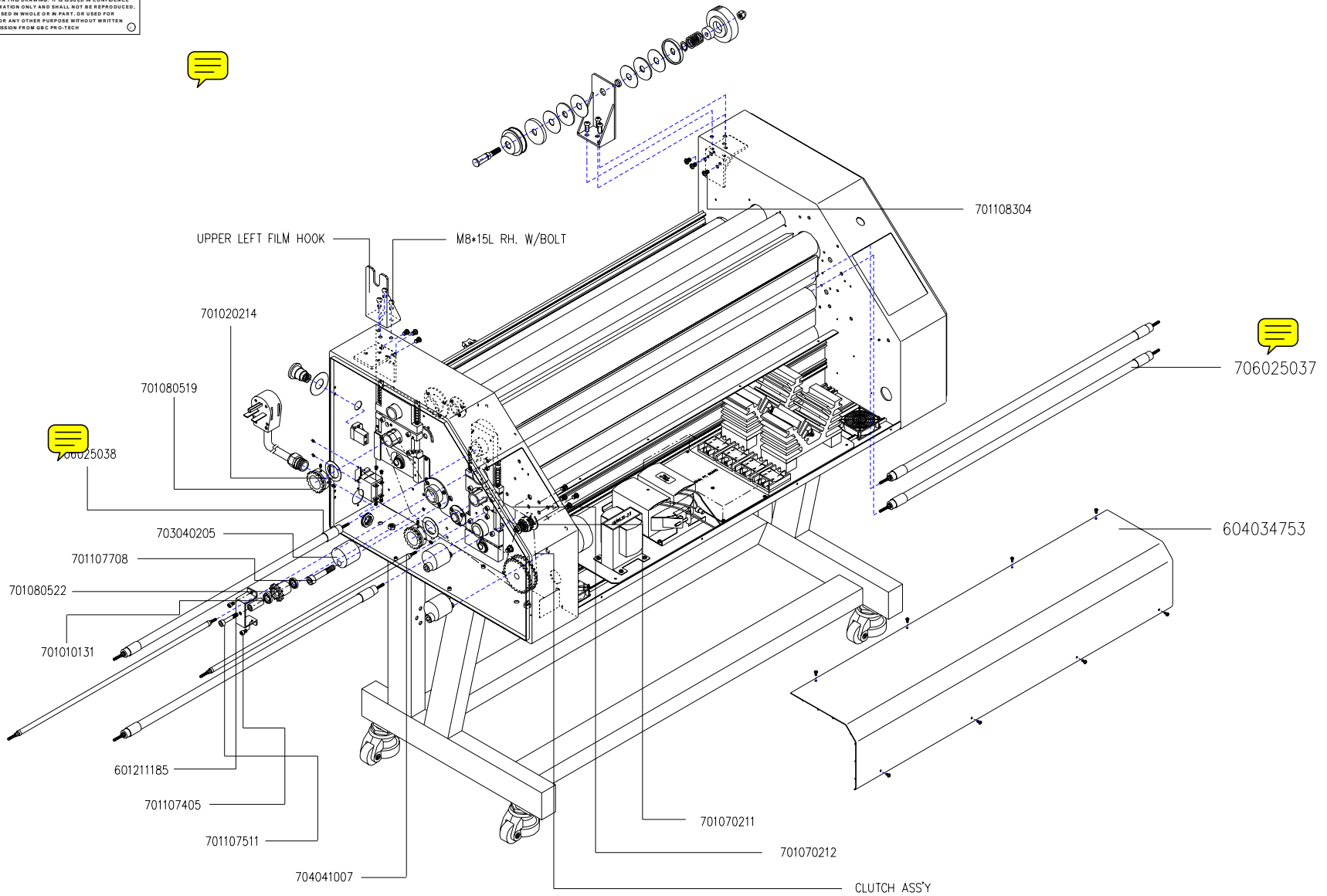
UNLESS OTHERWISE SPECIFIED TOLERANCE			GBC Films Group 4151 Anderson Road, DeForest, WI 53532	
DM AS SHOWN	TOL.	FINISH TO BE	TITLE :	
XX	±.163	110	Explorer 107: Idler placements	
X	±.050		DATE :	DRAWN BY :
XX	±.010		07/12/00	N/A
XXX	±.020	ANGLES	DWG SCALE :	DWG :
XXXX	±.005	±1°	N/A	E107 - 003

PROPRIETARY
 GBC PRO-TECH CLAIMS PROPRIETARY RIGHTS TO THE MATERIAL DISCLOSED ON THIS DRAWING. IT IS ISSUED IN CONFIDENCE FOR ENGINEERING INFORMATION ONLY AND SHALL NOT BE REPRODUCED, COPIED OR DISCLOSED IN WHOLE OR IN PART, OR USED FOR MANUFACTURE OR FOR ANY OTHER PURPOSE WITHOUT WRITTEN PERMISSION FROM GBC PRO-TECH

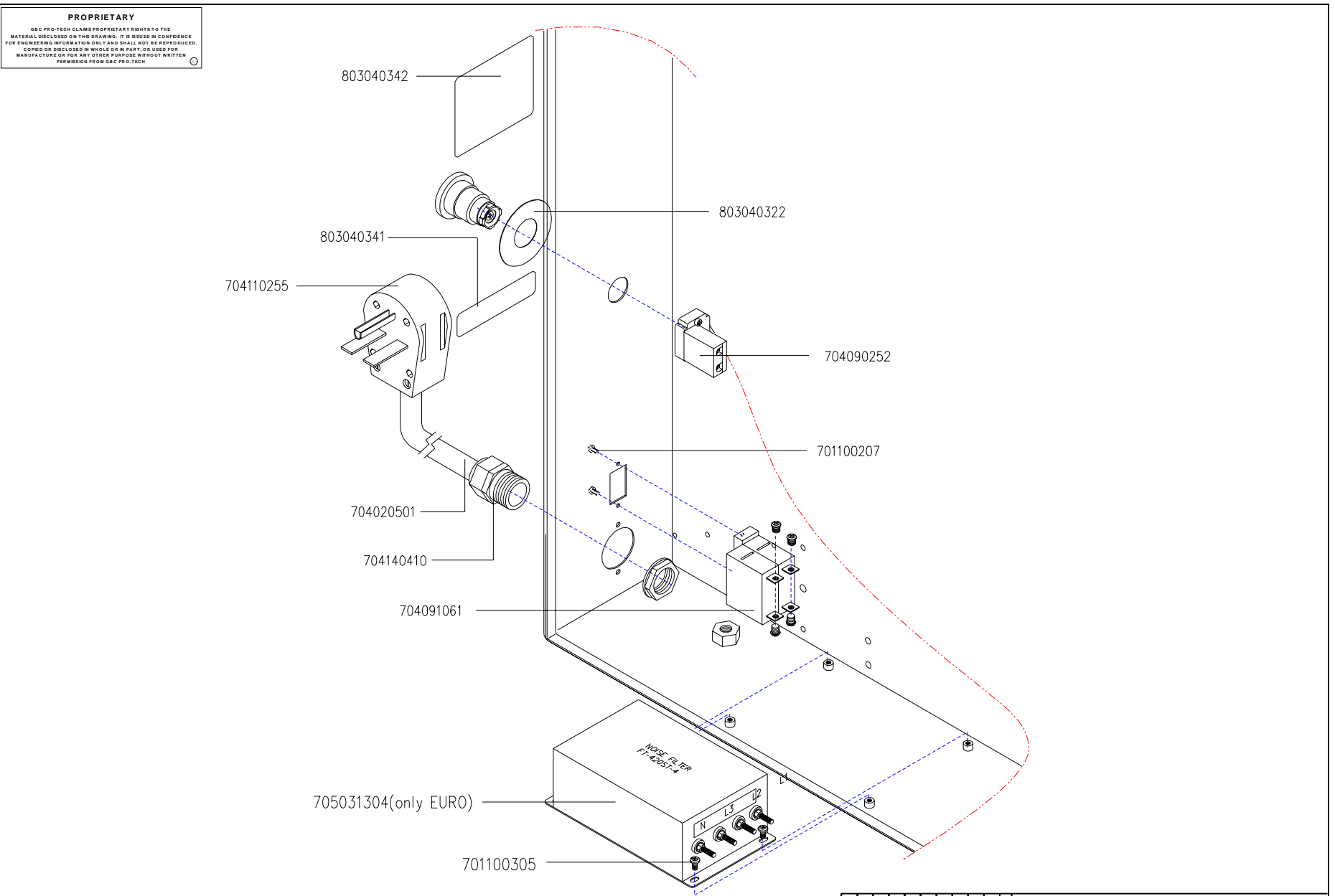


<small>The print is the property of GBC Film's Group. The information thereon is restricted to confidence.</small>			
UNLESS OTHERWISE SPECIFIED		TOLERANCE	
DM. AS SHOWN	TOL.	FINISH TO BE	
XX	±.125	115	✓
X	±.000		
XX	±.010		
XXX	±.020		
XXXX	±.050	ANGLES	±1°
GBC FILMS GROUP		GBC FILMS GROUP	
DRAWN BY: GMP		CHECKED BY: GMP	
DATE: 07/12/00		DRAWN BY: N/A	
DWG SCALE: N/A		DWG: E 107 - 004	
GBC Films Group 4151 Anderson Road, DeForest, WI 53532 TITLE: Explorer 107: Roller and panel placement			

PROPRIETARY
 GBC PRO-TECH CLAIMS PROPRIETARY RIGHTS TO THE MATERIAL DISCLOSED ON THIS DRAWING. IT IS ISSUED IN CONFIDENCE FOR ENGINEERING INFORMATION ONLY AND SHALL NOT BE REPRODUCED, COPIED OR DISCLOSED IN WHOLE OR IN PART, OR USED FOR MANUFACTURE OR FOR ANY OTHER PURPOSE WITHOUT WRITTEN PERMISSION FROM GBC PRO-TECH



UNLESS OTHERWISE SPECIFIED TOLERANCE			GBC Films Group 4151 Anderson Road, DeForest, WI 53532	
DM AS SHOWN	TOL.	FINISH TO BE	TITLE :	
XX	±.164	125	Explorer 107: Heater placement	
X	±.050		DATE :	DRAWN BY :
XX	±.010		07/12/00	N/A
XXX	±.020	ANGLES	DWG SCALE :	DWG :
XXXX	±.005	±1°	N/A	E 107 - 005

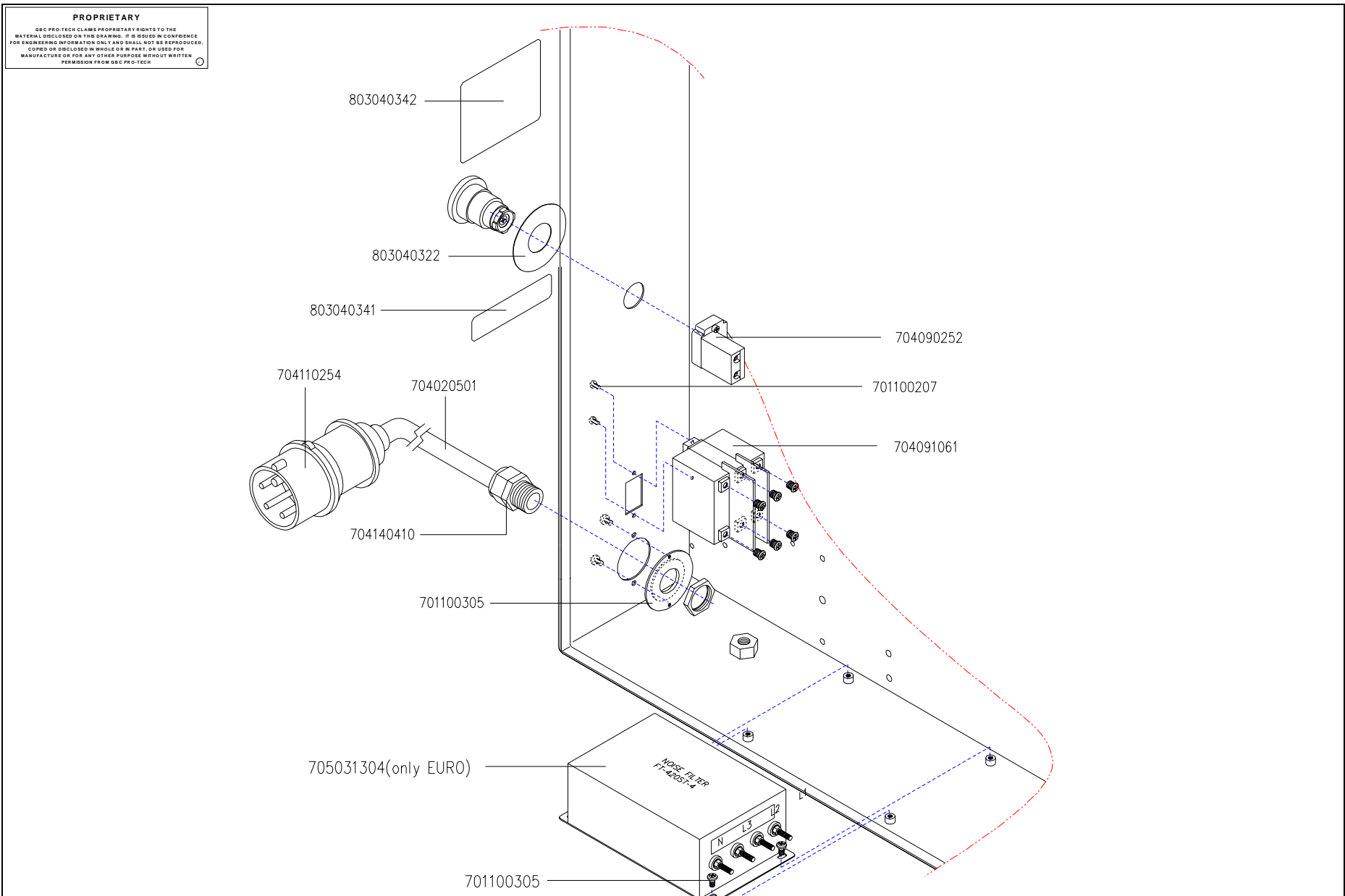


PROPRIETARY
 GBC PRO-TECH CLAIMS PROPRIETARY RIGHTS TO THE MATERIAL DISCLOSED ON THIS DRAWING. IT IS ISSUED IN CONFIDENCE FOR ENGINEERING INFORMATION ONLY AND SHALL NOT BE REPRODUCED, COPIED OR DISCLOSED IN WHOLE OR IN PART, OR USED FOR MANUFACTURE OR FOR ANY OTHER PURPOSE WITHOUT WRITTEN PERMISSION FROM GBC PRO-TECH

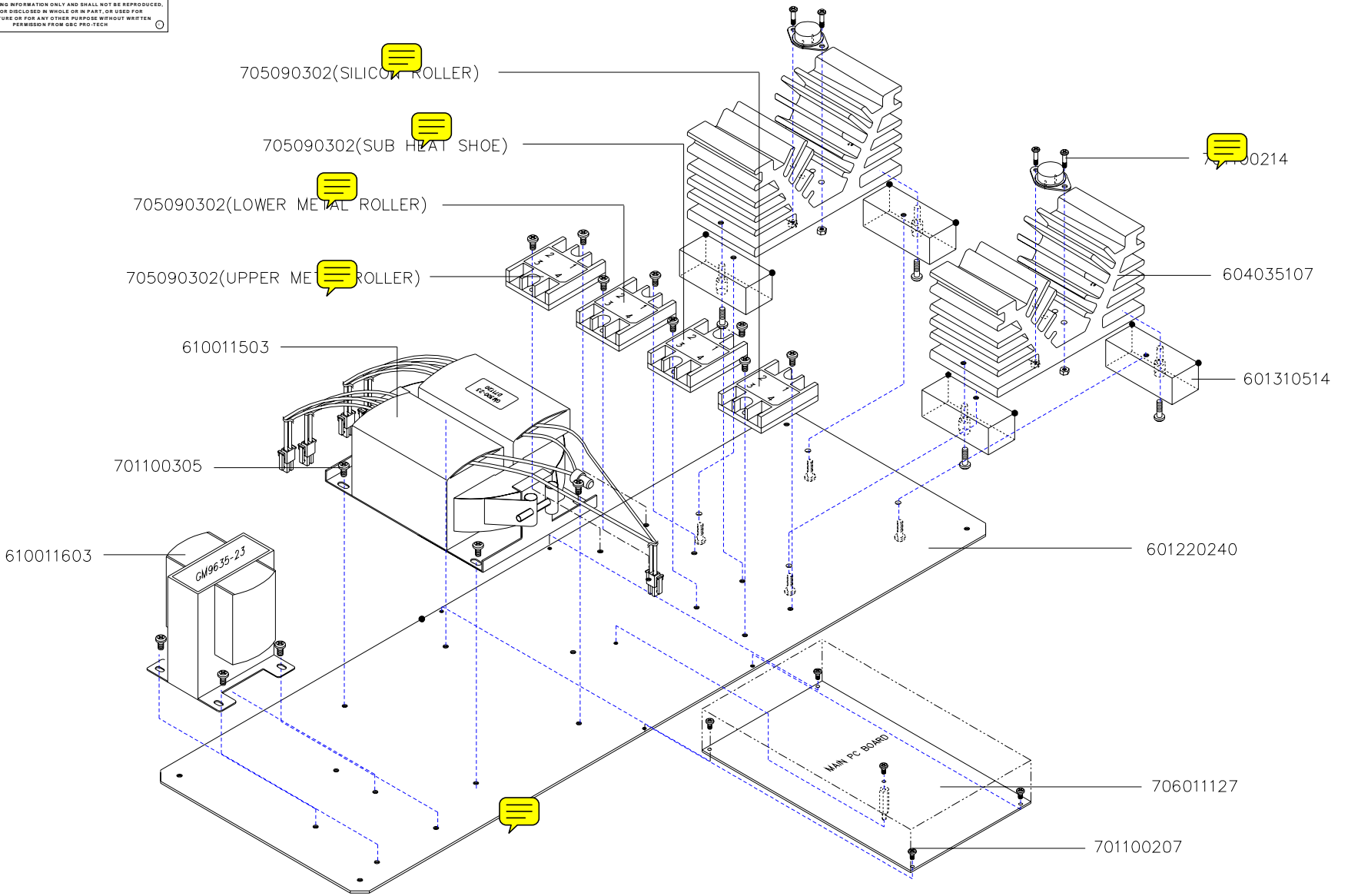
UNLESS OTHERWISE SPECIFIED				TOLERANCE				FINISH TO BE			
DM	AS	TOL.	FRSH	DM	AS	TOL.	FRSH	DM	AS	TOL.	FRSH
XXX	AS	±.104	115	XXX	AS	±.104	115	XXX	AS	±.104	115
XXX	AS	±.050	115	XXX	AS	±.050	115	XXX	AS	±.050	115
XXXX	AS	±.050	115	XXXX	AS	±.050	115	XXXX	AS	±.050	115

The print is the property of GBC Film's Group. The information thereon is restricted to confidence.											
GBC Films Group											
4151 Anderson Road, DeForest, WI 53532											
TITLE :											
Explorer 107: Single phase components											
DATE :			DRAWN BY :			DWG SCALE :			DWG :		
07/12/00			N/A			N/A			E107 - 006		

UNLESS OTHERWISE SPECIFIED TOLERANCE			GBC Films Group 4151 Anderson Road, DeForest, WI 53532	
DM AS SHOW IN	TOL.	FINISH TO BE	TITLE :	
XX	±.142	✓	Explorer 107: Three phase components	
X	±.050		DATE :	DRAWN BY :
XX	±.010		07/12/00	N/A
XXX	±.020	ANGLES	DWG SCALE :	DWG :
XXXX	±.005	±1°	N/A	E107 - 007



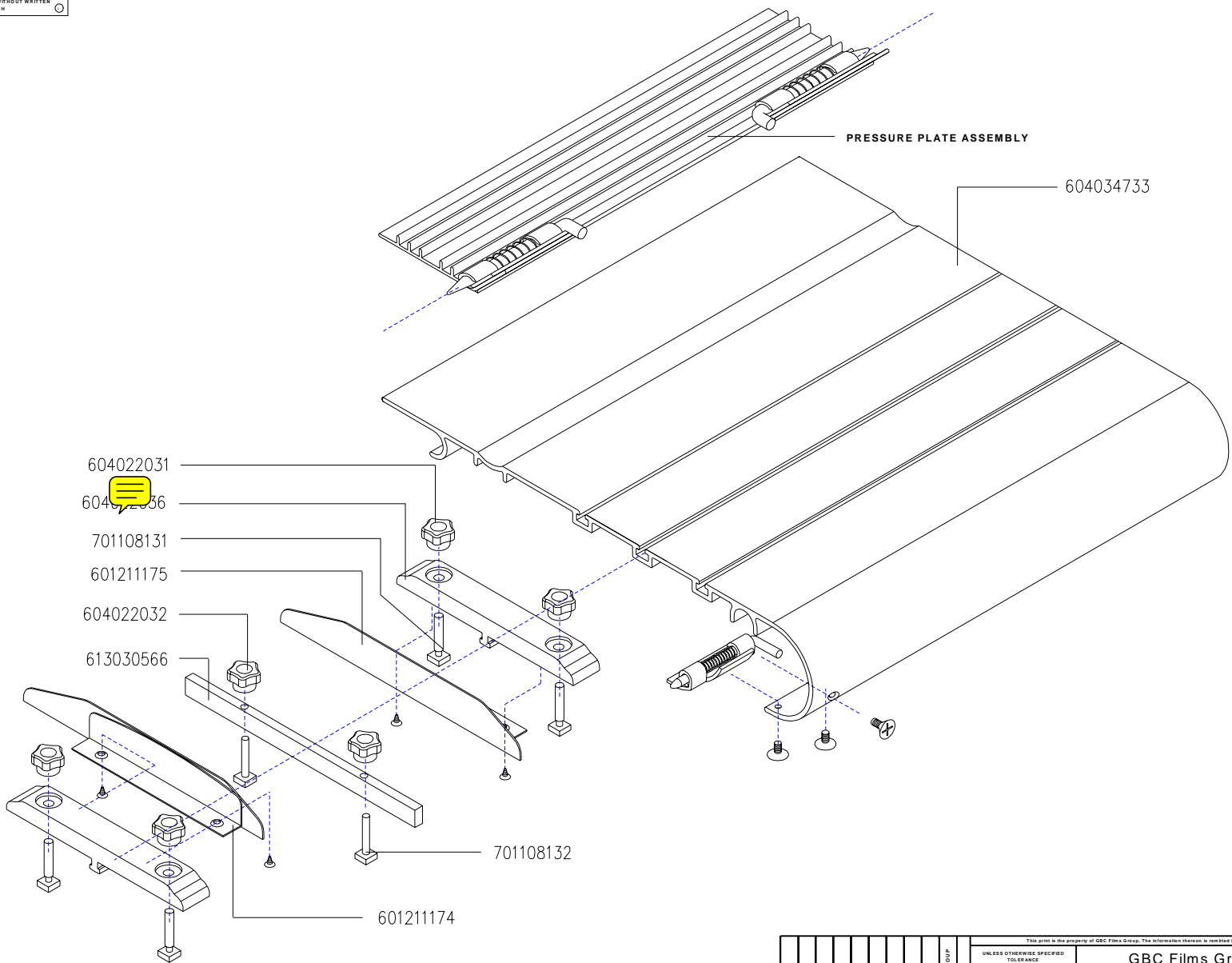
PROPRIETARY
 GBC PRO-TECH CLAIMS PROPRIETARY RIGHTS TO THE MATERIAL DISCLOSED ON THIS DRAWING. IT IS ISSUED IN CONFIDENCE FOR ENGINEERING INFORMATION ONLY AND SHALL NOT BE REPRODUCED, COPIED OR DISCLOSED IN WHOLE OR IN PART, OR USED FOR MANUFACTURE OR FOR ANY OTHER PURPOSE WITHOUT WRITTEN PERMISSION FROM GBC PRO-TECH



UNLESS OTHERWISE SPECIFIED			TOLERANCE		
DM	AS SHOWN	TOL.	FINISH TO BE		
XX		±.104	100		
X		±.000	✓		
XX		±.010			
XXX		±.020			
XXXX		±.040	ANGLES	±.5°	

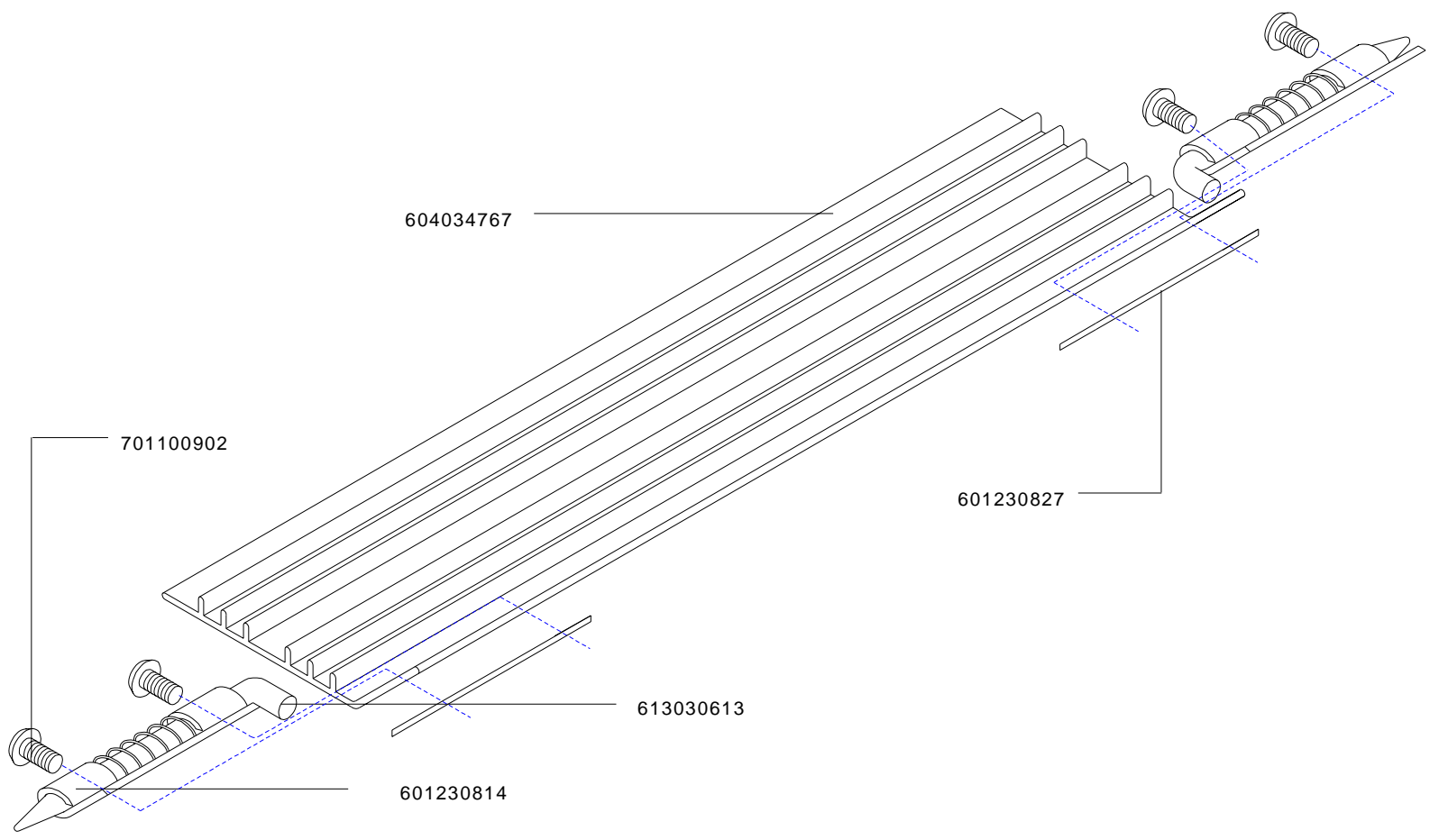
The print is the property of GBC Films Group. The information shown is verified in confidence.					
GBC Films Group					
4151 Anderson Road, DeForest, WI 53532					
TITLE : Explorer 107: Electrical panel					
DATE :	DRAWN BY :	DWG SCALE :	DWG :		
07/12/00	N/A	N/A	E107 - 008		

PROPRIETARY
 GBC PRO-TECH CLAIMS PROPRIETARY RIGHTS TO THE MATERIAL DISCLOSED ON THIS DRAWING. IT IS ISSUED IN CONFIDENCE FOR ENGINEERING INFORMATION ONLY AND SHALL NOT BE REPRODUCED, COPIED OR DISCLOSED IN WHOLE OR IN PART, OR USED FOR MANUFACTURE OR FOR ANY OTHER PURPOSE WITHOUT WRITTEN PERMISSION FROM GBC PRO-TECH

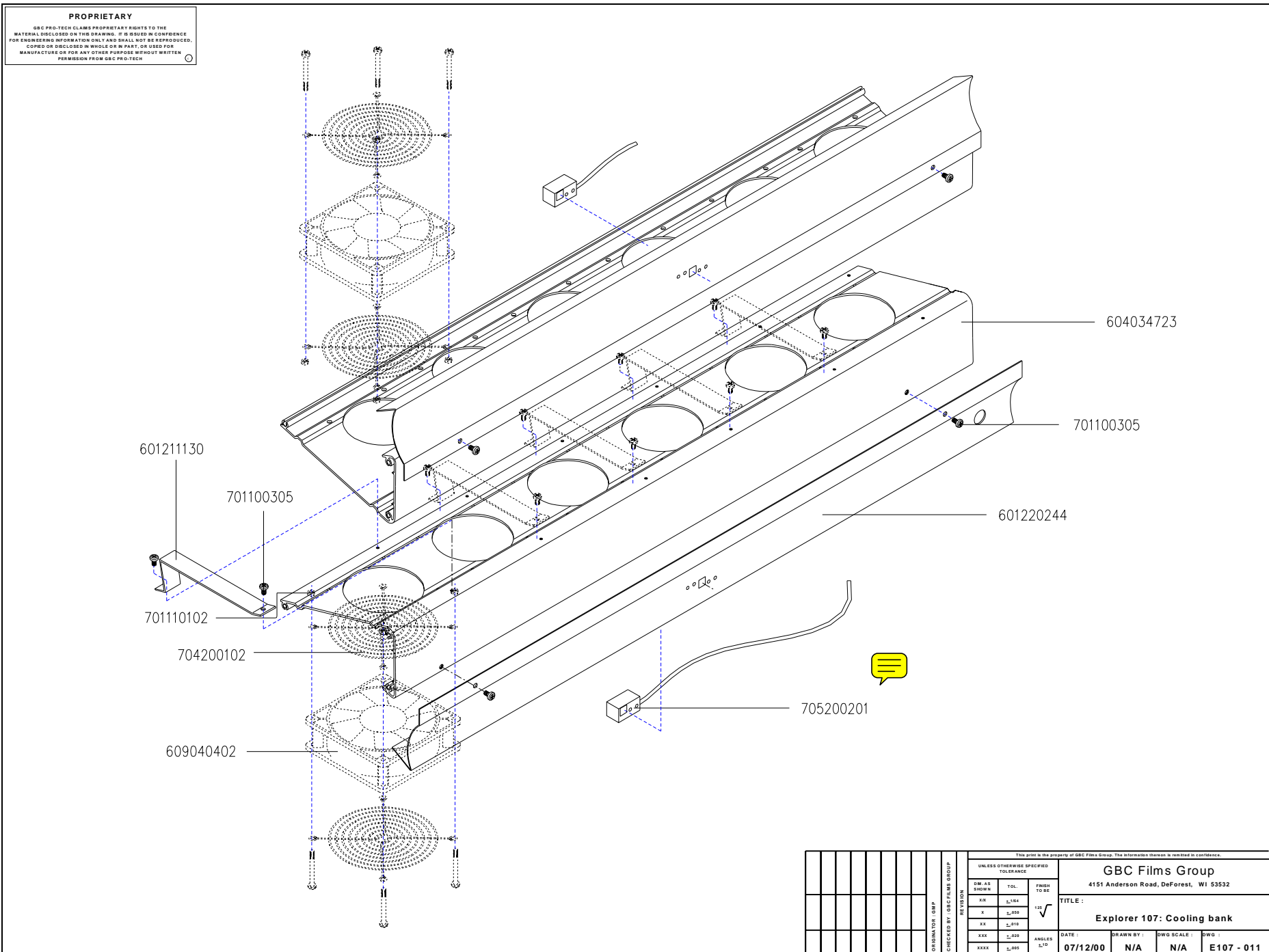


UNLESS OTHERWISE SPECIFIED TOLERANCE			GBC Films Group 4151 Anderson Road, DeForest, WI 53532		
DM AS SHOWN	TOL.	FINISH TO BE	TITLE :		
XX	±.163	125	Explorer 107: Feed table		
X	±.050		DATE :	DRAWN BY :	DWG SCALE :
XXX	±.020		07/12/00	N/A	N/A
XXXX	±.005		ANGLES		DWG : E107 - 009
			±.10		

PROPRIETARY
 GBC PRO-TECH CLAIMS PROPRIETARY RIGHTS TO THE MATERIAL DISCLOSED ON THIS DRAWING. IT IS ISSUED IN CONFIDENCE FOR ENGINEERING INFORMATION ONLY AND SHALL NOT BE REPRODUCED, COPIED OR DISCLOSED IN WHOLE OR IN PART, OR USED FOR MANUFACTURE OR FOR ANY OTHER PURPOSE WITHOUT WRITTEN PERMISSION FROM GBC PRO-TECH

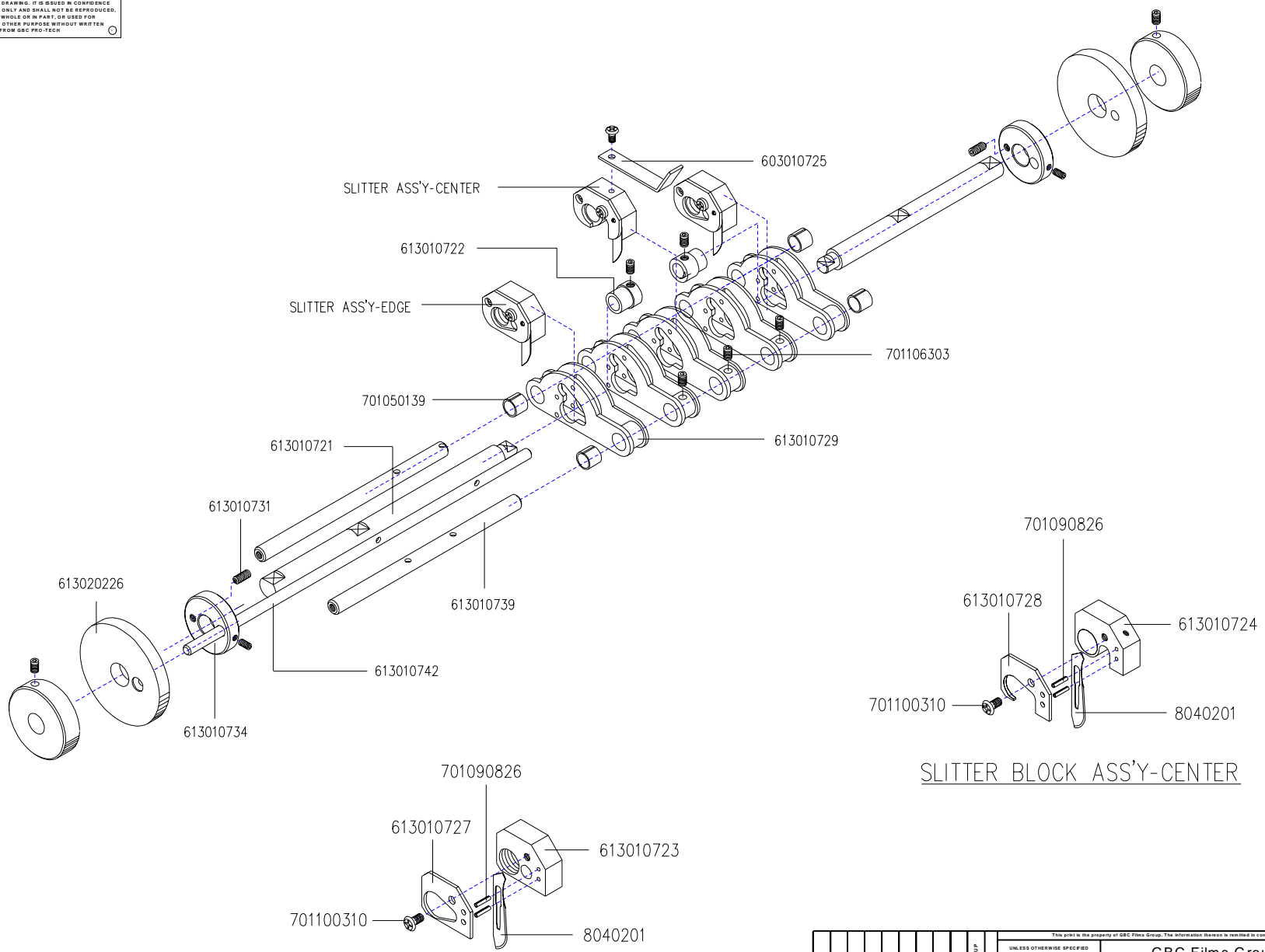


UNLESS OTHERWISE SPECIFIED										GBC Films Group 4151 Anderson Road, DeForest, WI 53532			
TOLERANCE										TITLE :			
DM AS	TOL.	FINISH	100							Explorer 107: Pressure plate			
SURF IN		TO BE	✓							DATE :			
XX	±.124									07/12/00			
X	±.000									DRAWN BY :			
XX	±.010									N/A			
XXX	±.020									DWG SCALE :			
XXXX	±.050	ANGLES	±10°							N/A			
										DWG :			
										E 107 - 010			



UNLESS OTHERWISE SPECIFIED TOLERANCE			GBC Films Group 4151 Anderson Road, DeForest, WI 53532	
DM AS SHOWN	TOL.	FINISH TO BE	TITLE :	
XX	±.124	125	Explorer 107: Cooling bank	
X	±.050	✓	DATE :	DRAWN BY :
XX	±.010		07/12/00	N/A
XXX	±.020	ANGLES	DWG SCALE :	DWG :
XXXX	±.005	±1°	N/A	E107 - 011

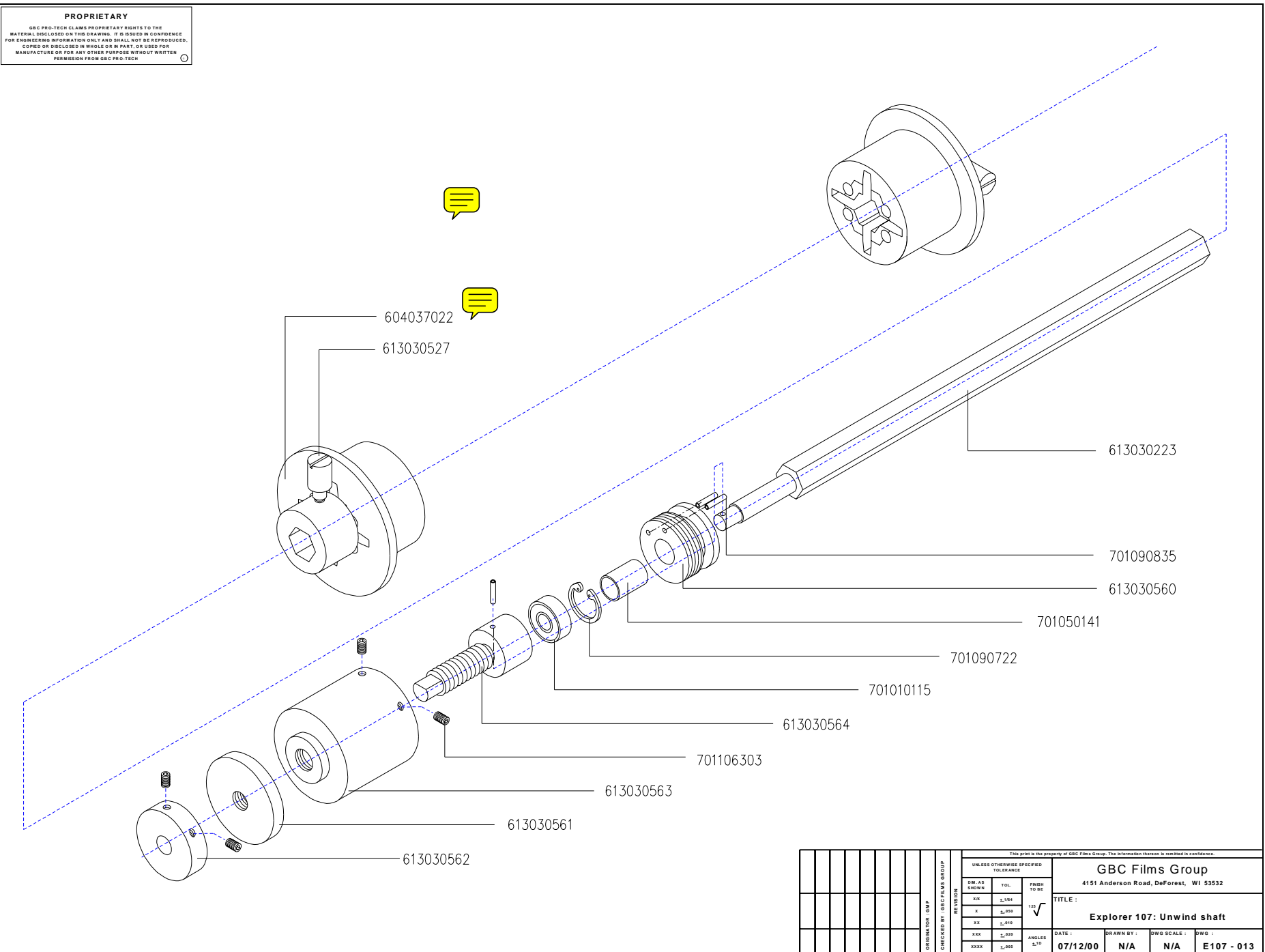
PROPRIETARY
 GBC PRO-TECH CLAIMS PROPRIETARY RIGHTS TO THE MATERIAL DISCLOSED ON THIS DRAWING. IT IS ISSUED IN CONFIDENCE FOR ENGINEERING INFORMATION ONLY AND SHALL NOT BE REPRODUCED, COPIED OR DISCLOSED IN WHOLE OR IN PART, OR USED FOR MANUFACTURE OR FOR ANY OTHER PURPOSE WITHOUT WRITTEN PERMISSION FROM GBC PRO-TECH.



SLITTER BLOCK ASS'Y-EDGE

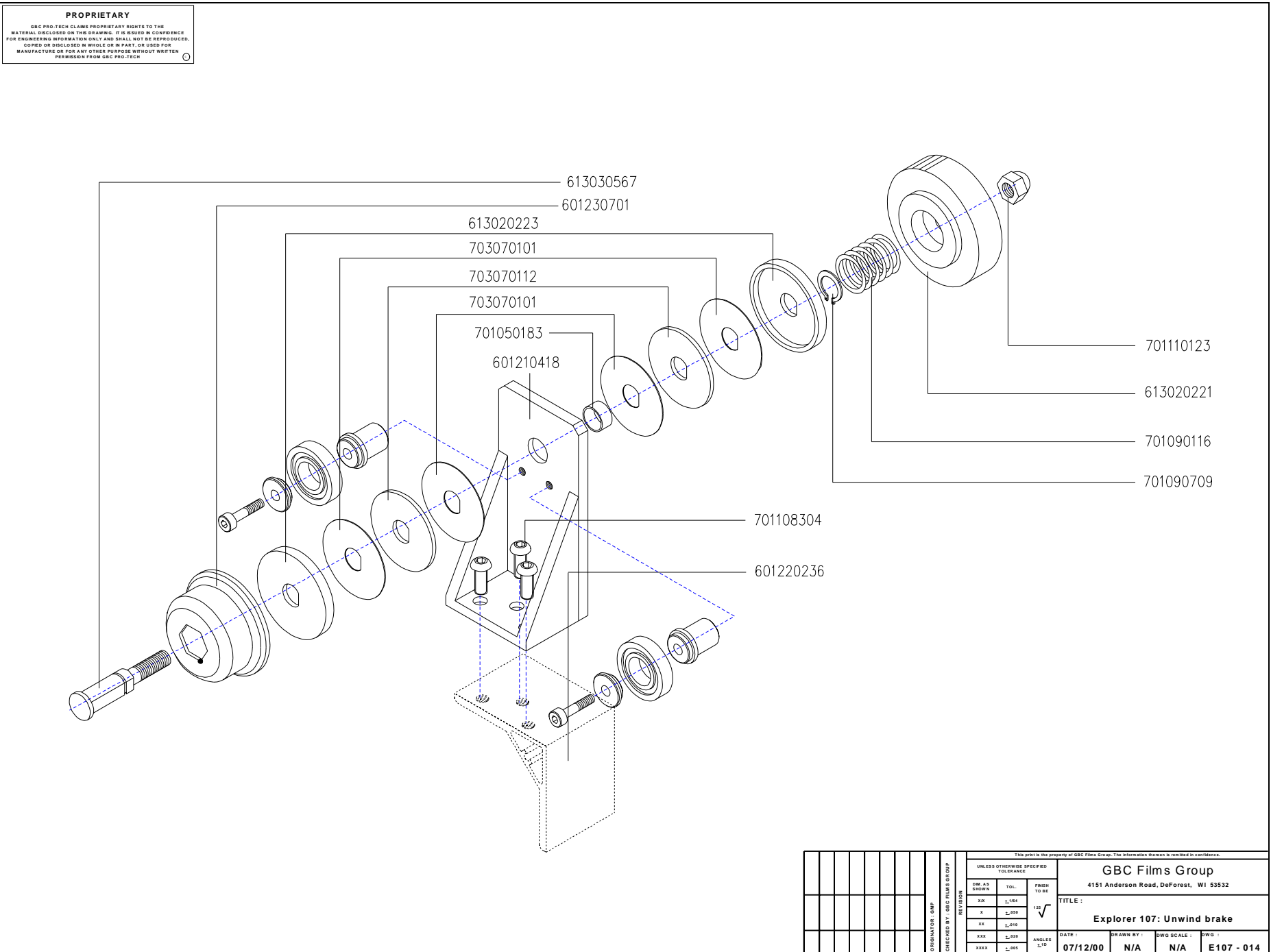
SLITTER BLOCK ASS'Y-CENTER

UNLESS OTHERWISE SPECIFIED				TOLERANCE				GBC Films Group			
DM	AS	SHOWN	TOL.	FINISH	TO BE	4151 Anderson Road, DeForest, WI 53532					
X			±.104	115	✓	TITLE :					
X			±.050			Explorer 107: Slitter assembly					
XX			±.010			DATE :	DRAWN BY :	DWG SCALE :	DWG :		
XXX			±.005			07/12/00	N/A	N/A	E 107 - 012		
XXXX			±.005								
CHECKED BY: GBC FILMS GROUP ORIGINATOR: CMP											



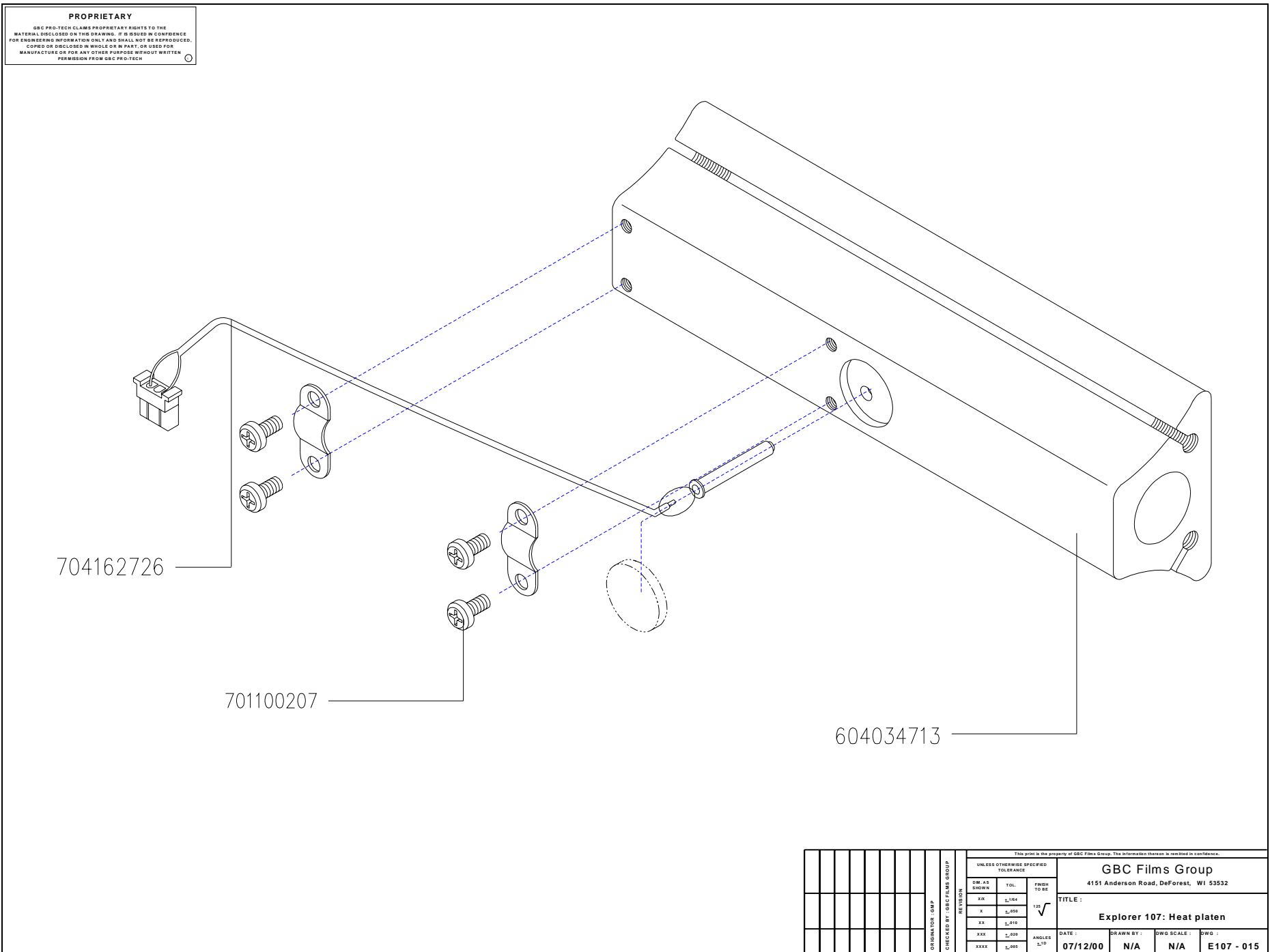
PROPRIETARY
 GBC PRO-TECH CLAIMS PROPRIETARY RIGHTS TO THE MATERIAL DISCLOSED ON THIS DRAWING. IT IS ISSUED IN CONFIDENCE FOR ENGINEERING INFORMATION ONLY AND SHALL NOT BE REPRODUCED, COPIED OR DISCLOSED IN WHOLE OR IN PART, OR USED FOR MANUFACTURE OR FOR ANY OTHER PURPOSE WITHOUT WRITTEN PERMISSION FROM GBC PRO-TECH

UNLESS OTHERWISE SPECIFIED TOLERANCE			GBC Films Group 4151 Anderson Road, DeForest, WI 53532	
DM AS SHOWN	TOL.	FINISH TO BE	TITLE :	
XX	$\pm .124$	125	Explorer 107: Unwind shaft	
X	$\pm .050$	<input checked="" type="checkbox"/>	DATE :	DRAWN BY :
XX	$\pm .010$		07/12/00	N/A
XXX	$\pm .020$	ANGLES	DWG SCALE :	DWG :
XXXX	$\pm .005$	$\pm 1^{\circ}$	N/A	E107 - 013



PROPRIETARY
 GBC PRO-TECH CLAIMS PROPRIETARY RIGHTS TO THE MATERIAL DISCLOSED ON THIS DRAWING. IT IS ISSUED IN CONFIDENCE FOR ENGINEERING INFORMATION ONLY AND SHALL NOT BE REPRODUCED, COPIED OR DISCLOSED IN WHOLE OR IN PART, OR USED FOR MANUFACTURE OR FOR ANY OTHER PURPOSE WITHOUT WRITTEN PERMISSION FROM GBC PRO-TECH.

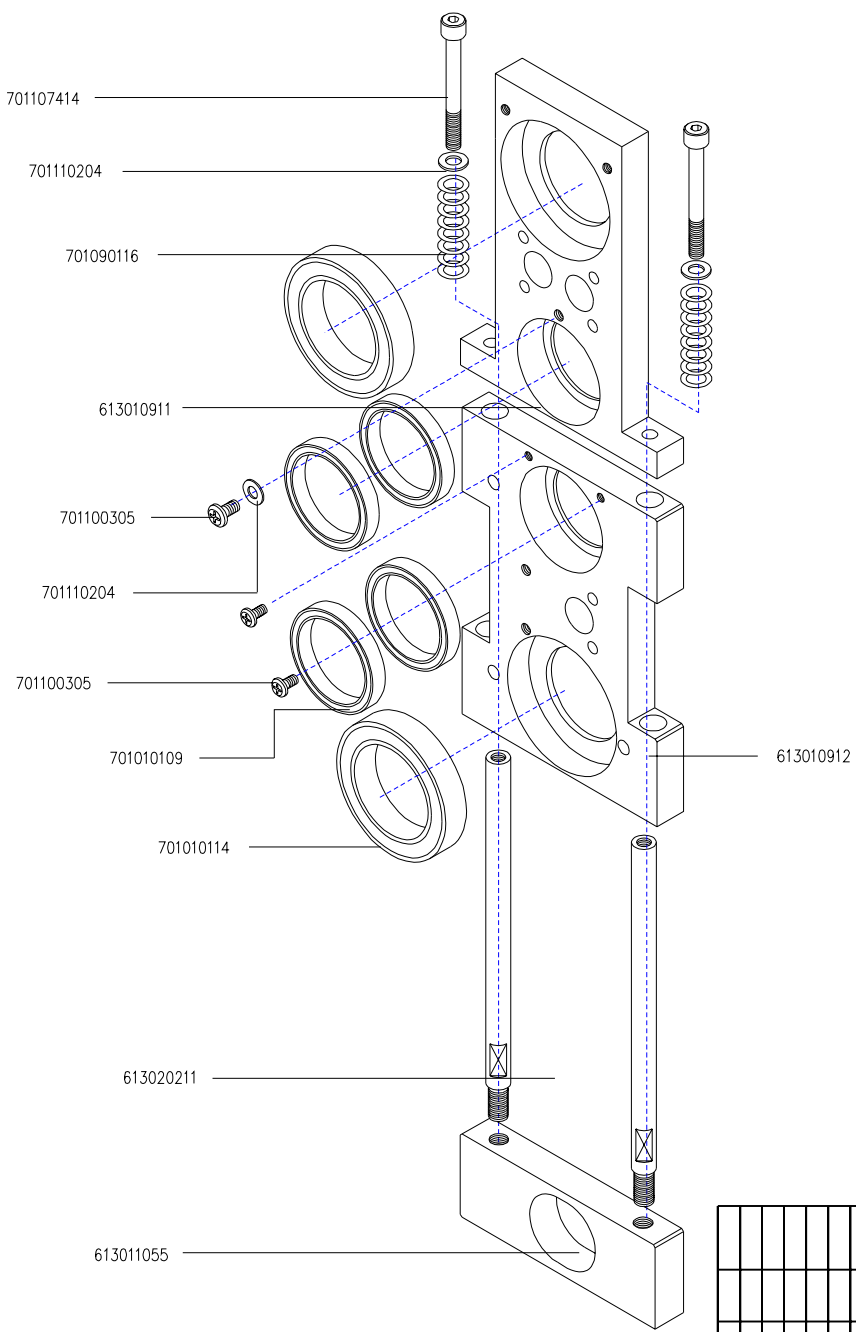
UNLESS OTHERWISE SPECIFIED			TOLERANCE		
DM. AS SHOWN	TOL.	FINISH TO BE			
X	±.124	110	✓		
X	±.000				
XX	±.010				
XXX	±.020	ANGLES			
XXXX	±.040	±.1°			
This print is the property of GBC Films Group. The information shown is revealed in confidence.					
GBC Films Group 4151 Anderson Road, DeForest, WI 53532			TITLE : Explorer 107: Unwind brake		
DATE :	DRAWN BY :	DWG SCALE :	DWG :		
07/12/00	N/A	N/A	E 107 - 014		



PROPRIETARY
 GBC PRO-TECH CLAIMS PROPRIETARY RIGHTS TO THE MATERIAL DISCLOSED ON THIS DRAWING. IT IS ISSUED IN CONFIDENCE FOR ENGINEERING INFORMATION ONLY AND SHALL NOT BE REPRODUCED, COPIED OR DISCLOSED IN WHOLE OR IN PART, OR USED FOR MANUFACTURE OR FOR ANY OTHER PURPOSE WITHOUT WRITTEN PERMISSION FROM GBC PRO-TECH

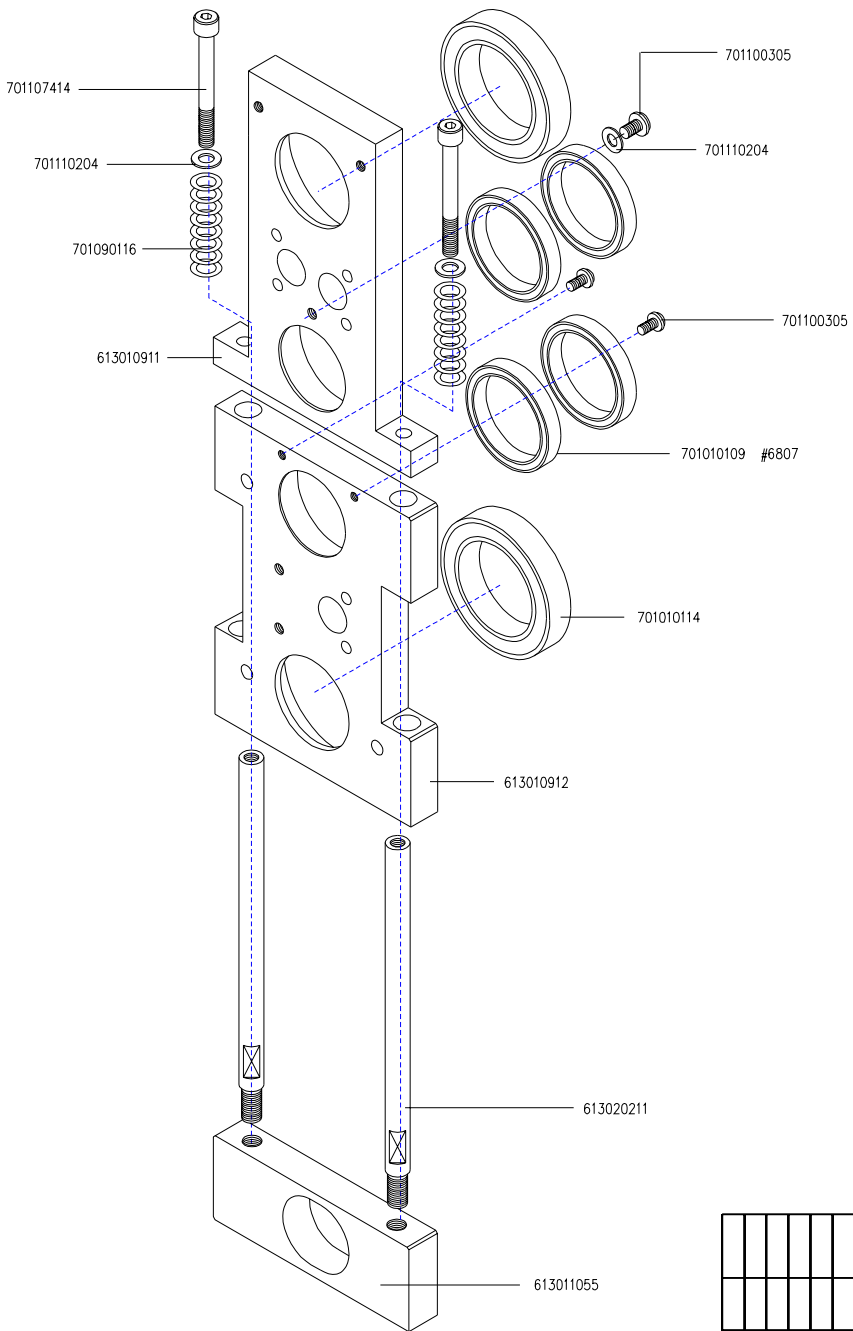
UNLESS OTHERWISE SPECIFIED TOLERANCE											
DM AS SHOWN	TOL.	FINISH TO BE	GBC Films Group 4151 Anderson Road, DeForest, WI 53532								
XX	±.164	125	TITLE : Explorer 107: Heat platen								
X	±.059		DATE : 07/12/00	DRAWN BY : N/A	DWG SCALE : N/A	DWG : E 107 - 015					
XX	±.010	ANGLES									
XXX	±.020	±1°									
XXXX	±.005										
GROUP NAME GROUP DIVISION DATE REVISION NO											

<small>This print is the property of GBC Films Group. The information shown is limited to confidence.</small>			
UNLESS OTHERWISE SPECIFIED TOLERANCE		GBC Films Group	
DM. AS SHOWN	TOL.	FINISH TO BE	4151 Anderson Road, DeForest, WI 53532
XX	±.125	125 ✓	TITLE :
X	±.050		Explorer 107: Right heater block
XX	±.010	DATE :	DRAWN BY :
XXX	±.005	ANGLE: 1/8"	DWG SCALE :
XXXX	±.002		DWG : E107 - 016

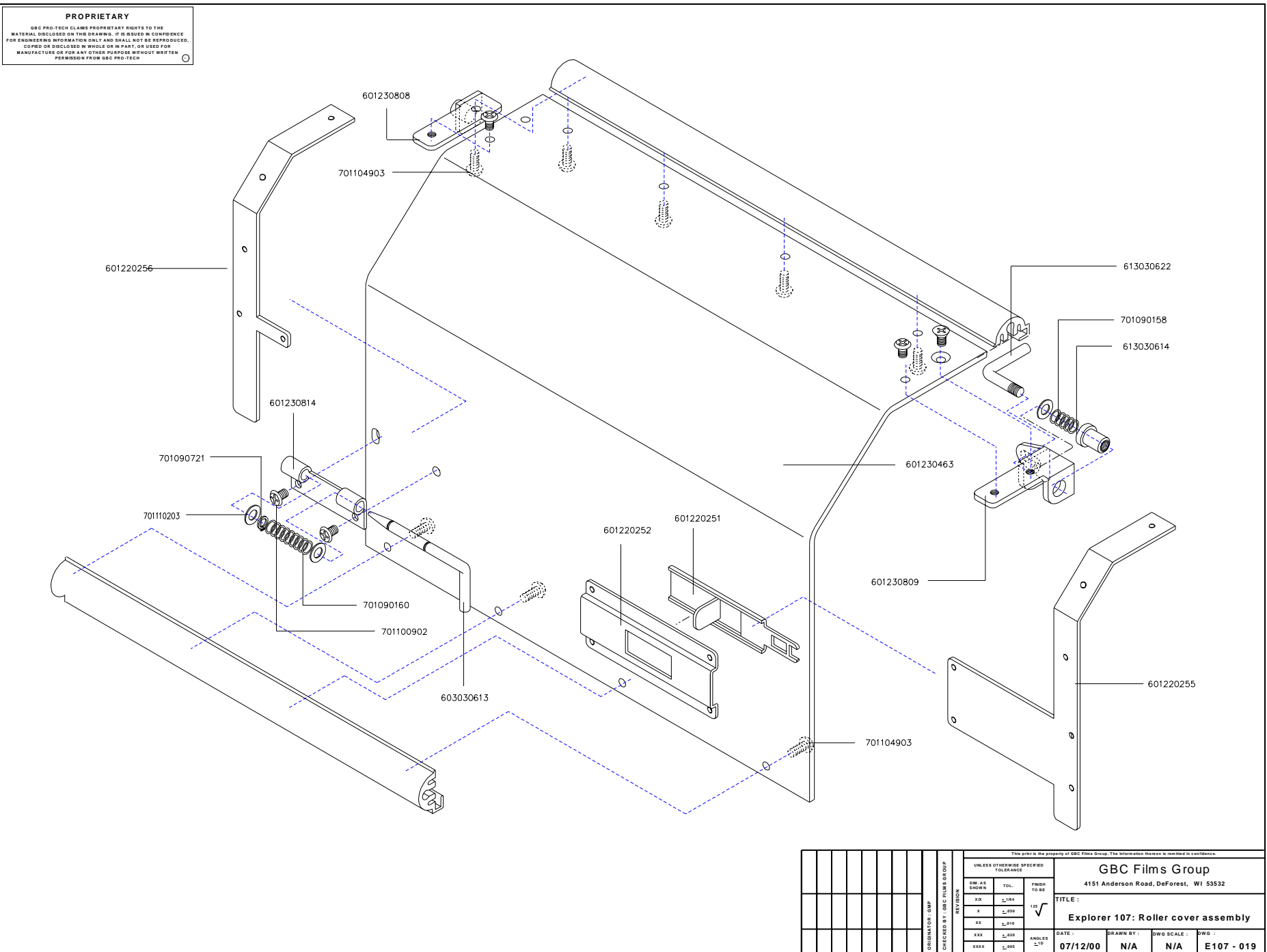


PROPRIETARY
 GBC PRO-TECH CLAIMS PROPRIETARY RIGHTS TO THE MATERIAL DISCLOSED ON THIS DRAWING. IT IS ISSUED IN CONFIDENCE FOR ENGINEERING INFORMATION ONLY AND SHALL NOT BE REPRODUCED, COPIED OR DISCLOSED IN WHOLE OR IN PART, OR USED FOR MANUFACTURE OR FOR ANY OTHER PURPOSE WITHOUT WRITTEN PERMISSION FROM GBC PRO-TECH.

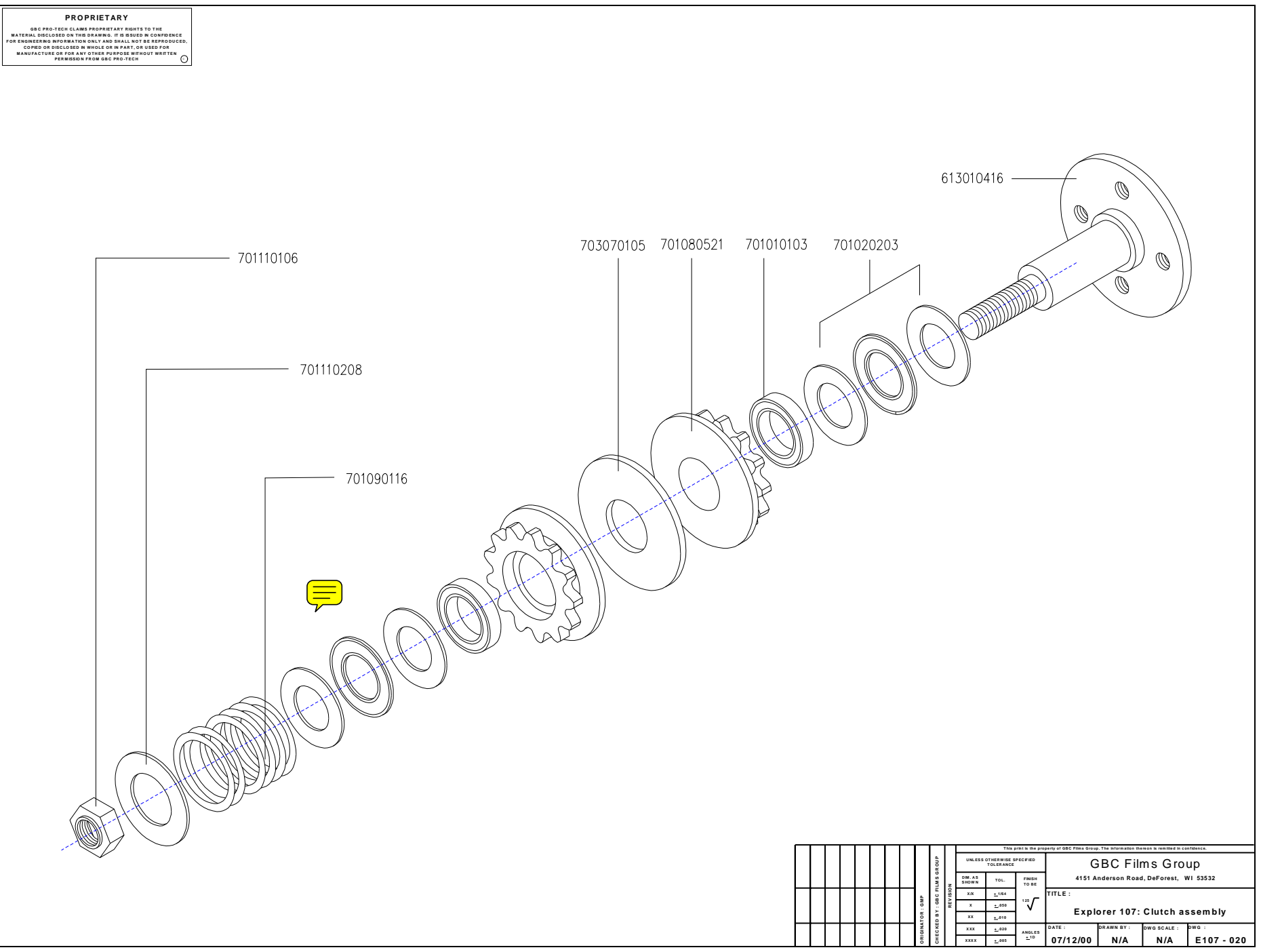
UNLESS OTHERWISE SPECIFIED TOLERANCE			GBC Films Group 4151 Anderson Road, DeForest, WI 53532			
DM AS SHOWN	TOL.	FINISH TO BE	TITLE :			
XX	$\pm .004$	125	Explorer 107: Left heater block			
X	$\pm .005$	<input checked="" type="checkbox"/>	DATE :	DRAWN BY :	DWG SCALE :	DWG :
XX	$\pm .010$		07/12/00	N/A	N/A	E107 - 017
XXX	$\pm .020$	ANGLES				
XXXX	$\pm .040$	$\pm 1^\circ$				



PROPRIETARY
 GBC PRO-TECH CLAIMS PROPRIETARY RIGHTS TO THE MATERIAL DISCLOSED ON THIS DRAWING. IT IS ISSUED IN CONFIDENCE FOR ENGINEERING INFORMATION ONLY AND SHALL NOT BE REPRODUCED, COPIED OR DISCLOSED IN WHOLE OR IN PART, OR USED FOR MANUFACTURE OR FOR ANY OTHER PURPOSE WITHOUT WRITTEN PERMISSION FROM GBC PRO-TECH



UNLESS OTHERWISE SPECIFIED TOLERANCE			GBC Films Group 4151 Anderson Road, DeForest, WI 53532	
DM AS SHOWN	TOL.	FINISH TO BE	TITLE :	
XX	±.125	115	Explorer 107: Roller cover assembly	
X	±.050	✓	DATE :	DRAWN BY :
XX	±.010		07/12/00	N/A
XXX	±.020	ANGLES	DWG SCALE :	DWG :
XXXX	±.005	1/2	N/A	E 107 - 019



PROPRIETARY
 GBC PRO-TECH CLAIMS PROPRIETARY RIGHTS TO THE MATERIAL DISCLOSED ON THIS DRAWING. IT IS ISSUED IN CONFIDENCE FOR ENGINEERING INFORMATION ONLY AND SHALL NOT BE REPRODUCED, COPIED OR DISCLOSED IN WHOLE OR IN PART, OR USED FOR MANUFACTURE OR FOR ANY OTHER PURPOSE WITHOUT WRITTEN PERMISSION FROM GBC PRO-TECH.

UNLESS OTHERWISE SPECIFIED			TOLERANCE		
DM AS SHOWN	TOL.	FINISH TO BE	GBC Films Group 4151 Anderson Road, DeForest, WI 53532		
XX	±.125	125	TITLE : Explorer 107: Clutch assembly		
X	±.050	✓	DATE :	DRAWN BY :	DWG SCALE :
XX	±.010		07/12/00	N/A	N/A
XXX	±.020	ANGLES			
XXXX	±.005	±.1°			E 107 - 020