

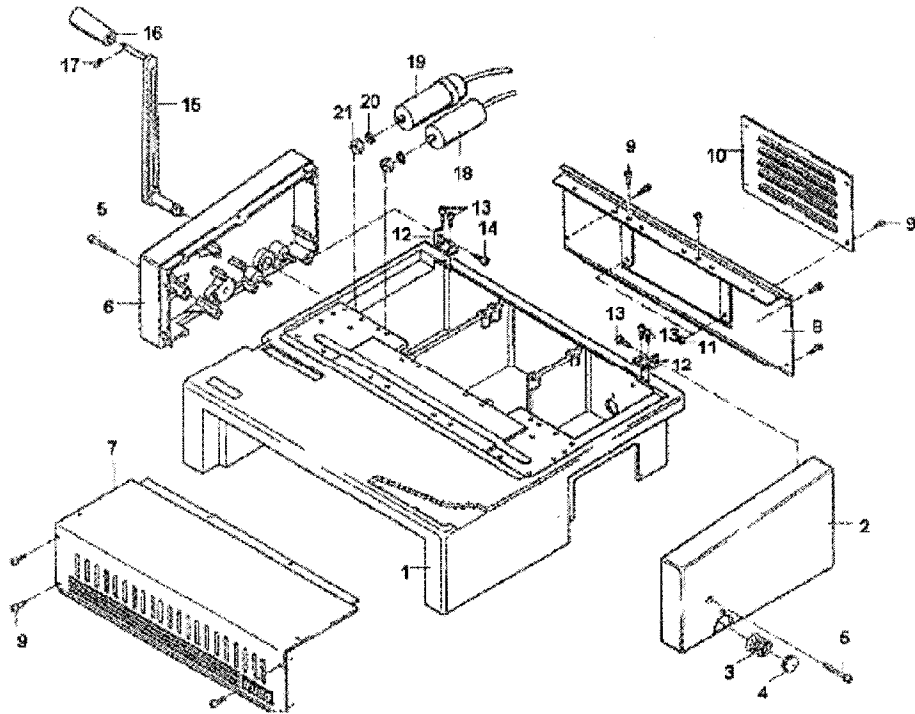


# EPK 21 Parts List



GBC IS AN ACCO BRANDS COMPANY

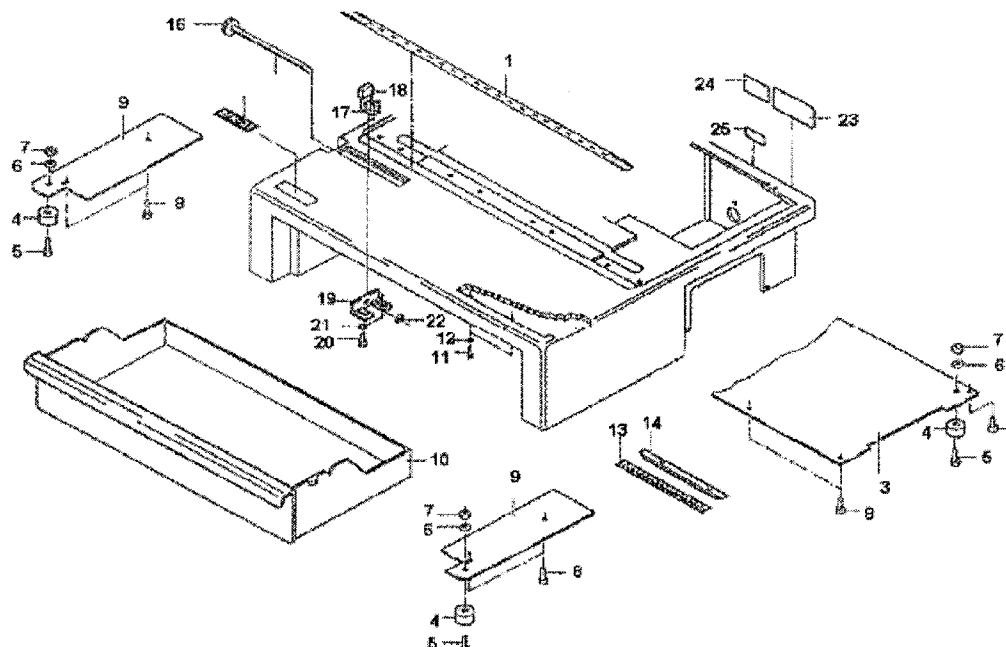
# EPK21 PARTS LIST



ITEM	GBC#	IBICO#	DESCRIPTION	QTY.
1	7401097	2200	Chassis	1
2	7401165	2606	Cover , right	1
3	7400652	2260	Knob	1
4	7400653	2261	Knob cover	1
5	1800132	9006	Hex. socket cap screw	2
6	7401068	1607	Cover plate , left	1
7	7401083	1649	Front cover , printed	1
8	7401084	1650	Back cover	1
9	1800107	9030	Duo-tap screw	10
10	7401124	2239	Cover for hood	1
11	1800403	9207	Nut	4
12	7401181	2640	Bracket	2
13	1800101	9000	Hex socket cap screw	6
14	1800102	9002	Hex socket cap screw	1
15	7401168	2611	Lever	1
16	7401185	2643	Handle	1
17	1800454	9500	Retaining ring	1
18	7401201	2684	Cap 115v / 16uF	1
19	7401190	2652	Cap 115v / 10uF	1
20	1800302	9403	Toothed lock washer	2
21	1800401	9201	Hexagon thin nut	2

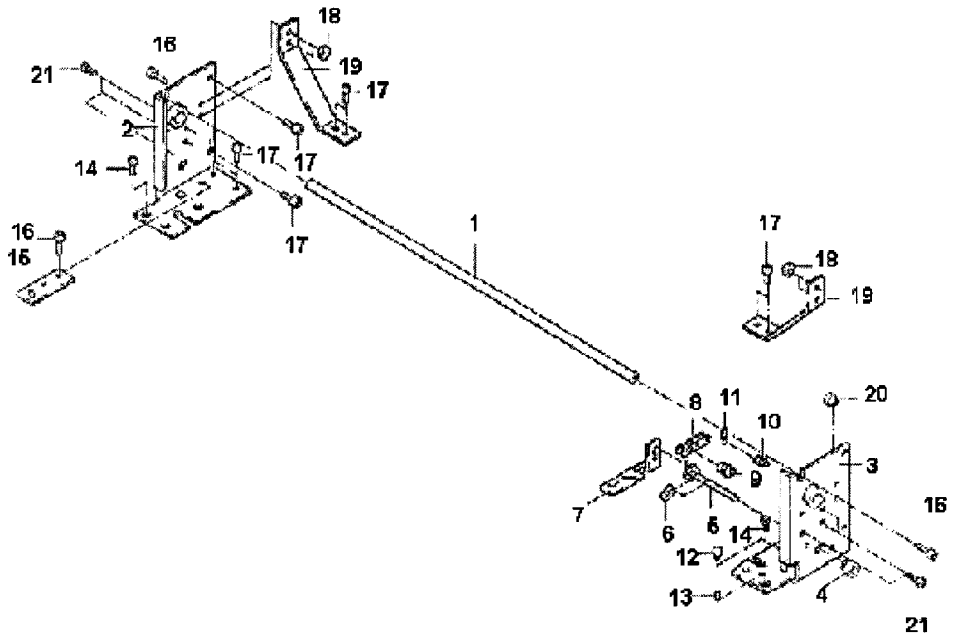
\* 7401069 Complete lever assy. (includes # 15,16, and 17).

# EPK21 PARTS LIST



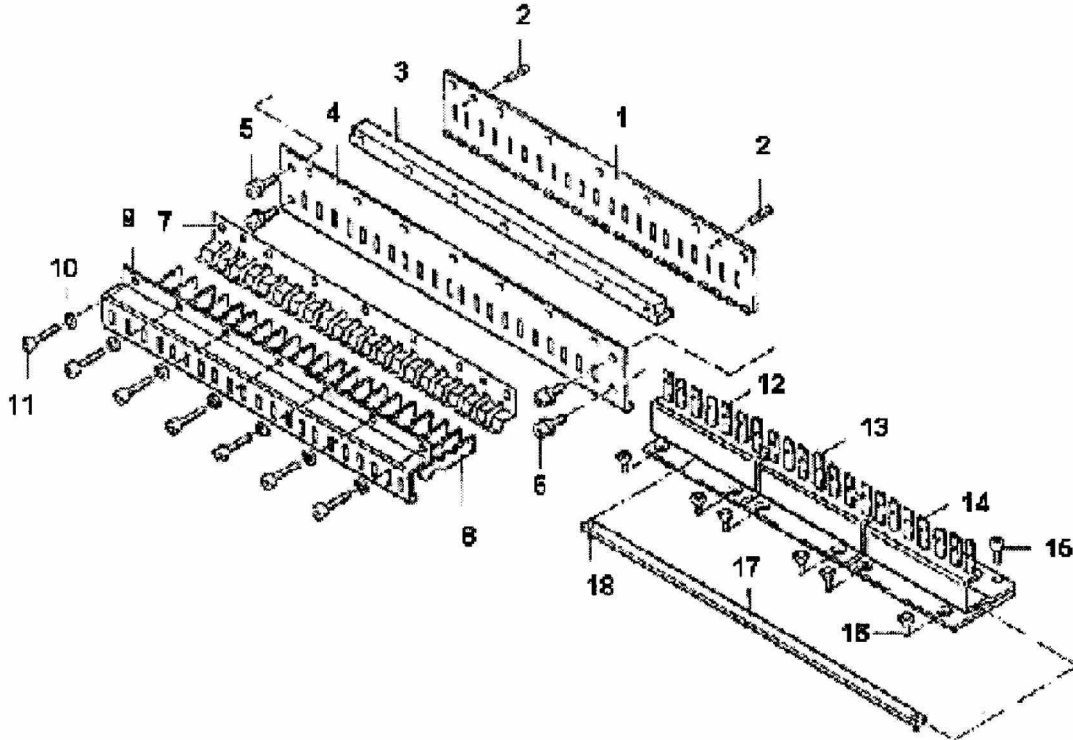
ITEM	GBC#	IBICO#	DESCRIPTION	QTY.
1	7401038	6401	Scale 21 IBICO	1
2	7401034	N/A	Logotype	1
3	7401058	1240	Bottom plate	1
4	7401141	2271	Rubber foot	4
5	1800106	9028	Oval head screw	4
6	1800322	9409	Curved spring washer	4
7	1800408	9204	Hex thin nut	4
8	1800106	9028	Duo-tap screw	5
9	7401158	2298	Drawer guide	2
10	7401123	2238	Drawer	1
11	1800107	9030	Oval head screw	2
12	1800328	9417	Spring lock washer	2
13	7401206	N/A	Plastic binders scale	1
14	7401202	3303	Strip	1
15	7401066	1354	Spindle assy.	1
16	N/A	N/A	N/A	
17	7401203	3304	Side stop	1
18	7401204	3305	Paper stop	1
19	7401205	3308	Spindle holder	1
20	1800102	9002	Hex socket head screw	2
21	1800304	9410	Washer	2
22	1800467	9509	Washer	1
23	N/A	N/A	Type label	1
24	N/A	N/A	Sticker	1
25	N/A	N/A	Sticker fuse	1

# EPK21 PARTS LIST



ITEM	GBC#	IBICO#	DESCRIPTION	QTY.
1	7401096	2158	Distance axle	1
2	7401045	1122	Bearing bracket cpl., left	1
3	7401044	1116	Bearing bracket cpl, right	1
4	7400612	2145	Bearing	1
5	7401048	1149	Stop axle cpl.	1
6	1800454	9500	Retaining ring	1
7	7400620	2151	Paper stop slide	1
8	7400601	1141	Stop lever cpl.	1
9	7400609	2123	Bolt	1
10	7400610	2124	Spring bolt	1
11	7400613	2155	Tension spring	1
12	7400608	2119	Guide screw	1
13	1800501	9604	Parallel pin	1
14	1800105	9024	Counter sunk screw	5
15	7400621	2152	Paper stop guide	1
16	1800130	9004	Hex socket hd cap	3
17	1800102	9002	Hex socket hd cap	4
18	1800402	9205	Hex thin nut	4
19	7401094	2154	Support	2
20	1800405	9208	Nut	1
21	1800101	9000	Hex socket hd cap	2

# EPK21 PARTS LIST



ITEM	GBC#	IBICO#	DESCRIPTION	QTY.
1	7400625	2129	Bracket , back	1
2	1800516	9619	Slotted spring pin	2
3	7401092	2131	Rod	1
4	7400627	2128	Bracket , front	1
5	1800133	9010	Safety screw	1
6	1800110	9011	Safety screw	4
7	7400628	2132	Spring	1
8	7400630	2133	Slide	21
9	7400629	2130	Guide	1
10	1800308	9400	Spring lock washer	7
11	1800109	9009	Hex socket cap screw	7
*12	7402139	1038	Left die	1
13	7400510	1049	Center die	1
*14	7402139	1039	Right die	1
15	1800102	9002	Hex socket cap screw	6
16	1800105	9024	Countersunk screw	6
17	7400622	1163	Paper stop	1
18	1800501	9604	Parallel pin	1

•□□ 7401046 Pressbeam assy cpl. ( includes #1-11 )

\* NOTE: ITEM NUMBER 12 AND 14 ARE THE SAME DIES.

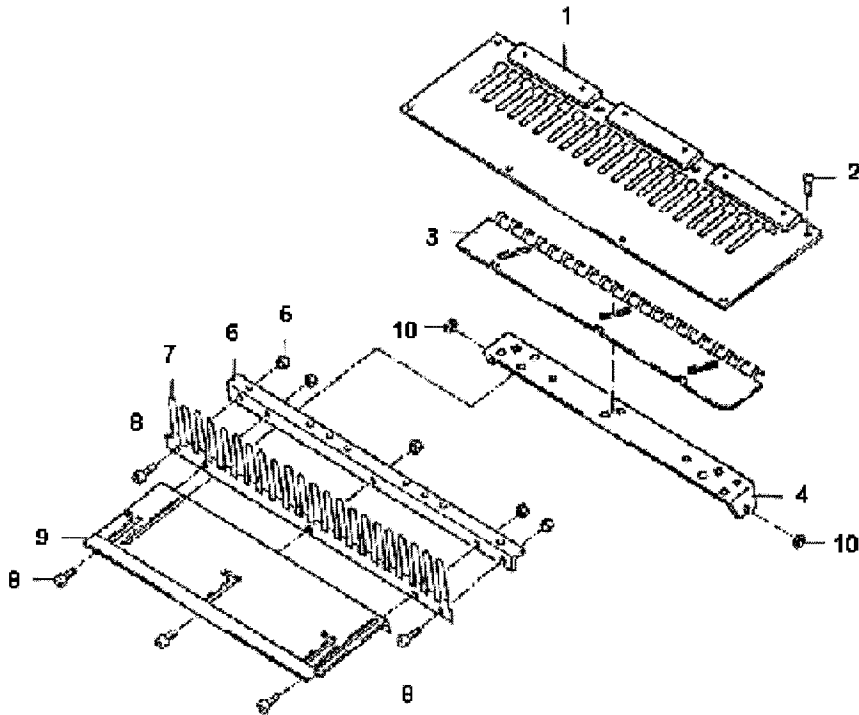
INTERNATIONAL A4 DIES

assembly number 1103290

2 -> 1103890 Left/Right die set

1 -> 1103690 Centre die set

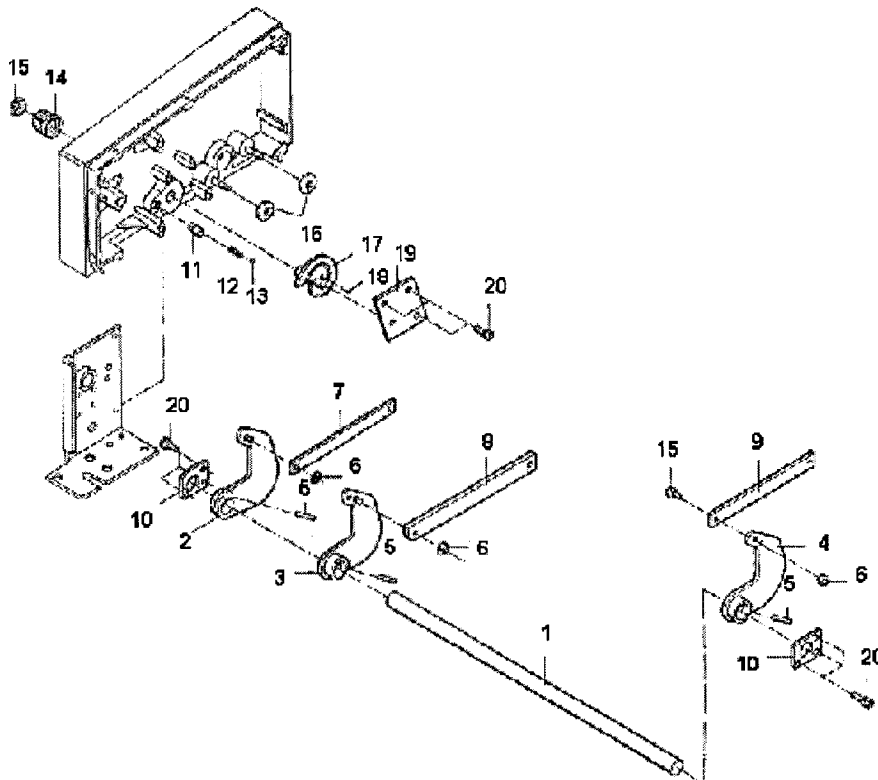
## EPK21 PARTS LIST



ITEM	GBC#	IBICO#	DESCRIPTION	QTY.
1	7400659	1301	Cover plate, cpl.	1
2	1800107	9030	Duo-tap screw	4
3	7400542	2303	Slide 21	1
4	7401074	1621	Carrier cpl.	1
5	1800404	9217	Hex nut	5
6	N/A	N/A	Bracket	1
7	7400505	1310	Comb 21 assy.	1
8	1800101	9000	Hex socket hd cap	5
9	N/A	N/A	Guide plate	1
10	1800467	9509	Retaining washer , loose	2

- Comb 21 assy. ( Includes # 6 , # 7, and # 9 )

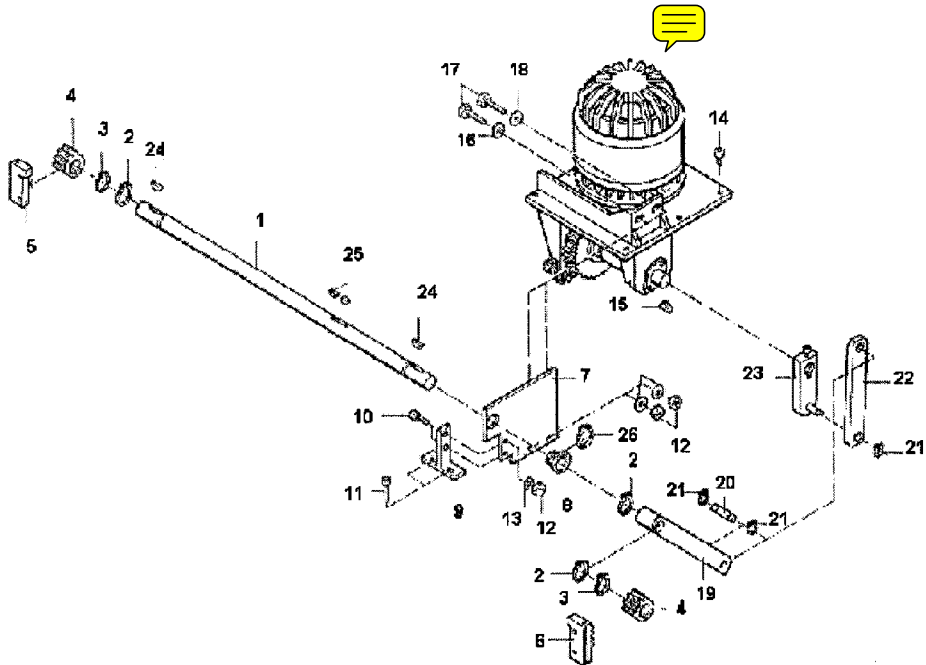
# EPK21 PARTS LIST



ITEM	GBC#	IBICO#	DESCRIPTION	QTY.
1	7401162	2604	Axle	1
2	7401071	1615	Arm cpl. , left	1
3	7401072	1616	Arm cpl. , center	1
4	7401073	1617	Arm cpl. , right	1
5	1800517	9620	Slotted spring pin	3
6	1800467	9509	Retaining washer	3
7	7401176	2628	Rod , top	1
8	7401175	2627	Rod , bottom	1
9	7401179	2636	Rod , top , special	1
10	7401183	2641	Bearing plate	2
11	7401166	2608	Tube	1
12	7401167	2610	Pressure spring	1
13	1800552	9702	Ball	1
14	7400651	2345	Control knob	1
15	7400653	2261	Knob cover	1
16	7401173	2626	Washer	2
17	7401081	1644	Stop wheel cpl.	1
18	1800514	9611	Spiral pin	1
19	7401184	2642	Bar	1
20	1800101	9000	Hex socket hd	4

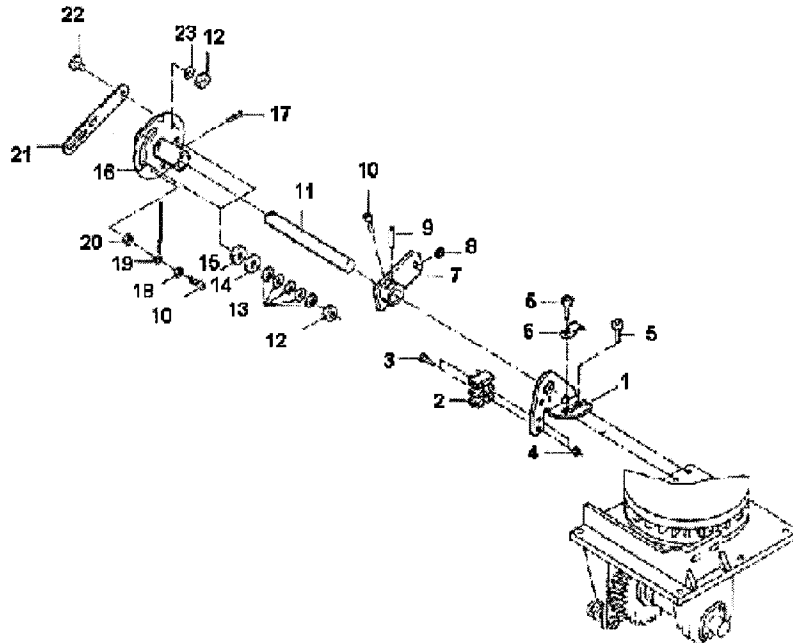
\* 7401070 Axle assy. cpl.

# EPK21 PARTS LIST



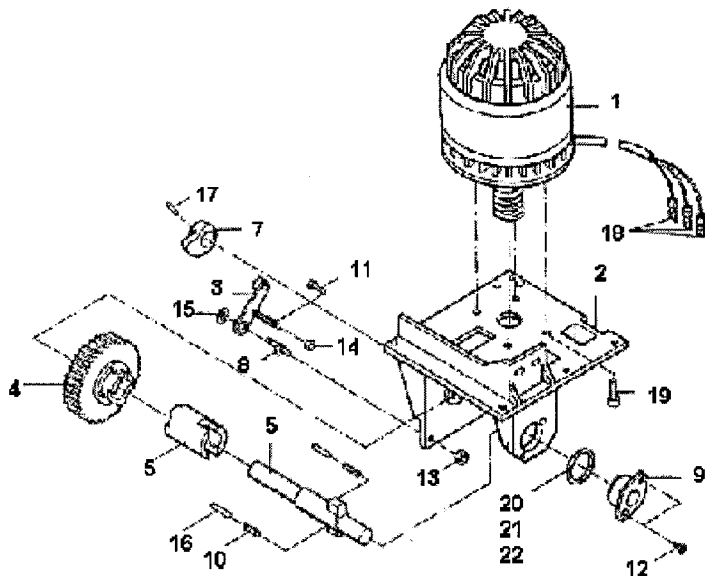
ITEM	GBC#	IBICO#	DESCRIPTION	QTY.
1	7401113	2223	Axle	1
2	1800464	9515	Grip ring	3
3	1800455	9504	Retaining ring	2
4	7400615	2146	Tooth segment	2
5	7401193	2654	Toothed rack , left	1
6	7401195	2655	Toothed rack , right	1
7	7401055	1224	Bearing plate	1
8	N/A	N/A	Bearing bushing	1
9	7401115	2226	T-fastening	1
10	1800134	9012	Hex. socket hd. cap screw	2
11	1800110	9011	Hex. socket hd. cap screw	2
12	1800409	9206	Hex thin nut	1
13	1800324	9412	Spring lock washer	1
14	1800108	9005	Hex. socket hd. cap screw	4
15	1800519	9623	Woodruff key	1
16	1800301	9303	Special washer	1
17a	1800134	9012	Hex screw	1
17b	1800151	9066	Hex screw	1
18	1800301	9303	Washer	1
19	7401109	2213	Lever	1
20	7401119	2234	Axle	1
21	1800451	9502	Retaining ring	1
22	7401051	1210	Joint arm cpl.	1
23	7401049	1207	Lever cpl.	1
24	1800508	9624	Woodruff key	2
25	7401155	2291	Wedge	2
26	N/A	N/A	Retaining ring	1

# EPK21 PARTS LIST



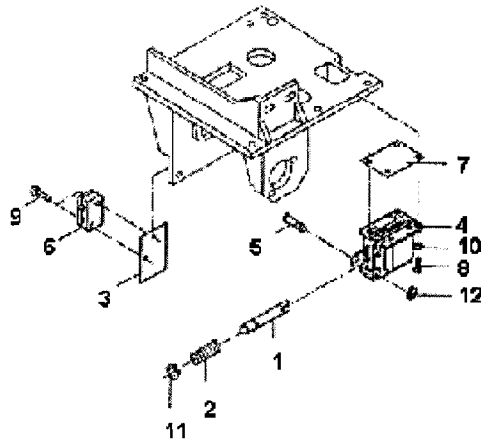
ITEM	GBC#	IBICO#	DESCRIPTION	QTY.
1	7401134	2255	Bracket	1
2	7401130	2247	Strip connector	1
3	1800136	9015	Oval hd. screw	2
4	1800403	9207	Nut	2
5	1800107	9030	Hex cap screw	2
6	7401157	2295	Cable clamp	1
7	7401076	1623	Clip	1
8	N/A	N/A	Retaining ring	1
9	1800516	9619	Slotted spring pin	1
10	1800101	9000	Hex socket hd. cap screw	1
11	7401079	1631	Drive axle	1
12	1800409	9206	Hex thin nut	1
13	1800320	9405	Disc spring	5
14	1800332	9302	Washer	1
15	7401173	2626	Washer	1
16	7401079	1633	Disc	1
17	1800516	9619	Slotted spring pin	1
18	1800312	9301	Washer	1
19	7401189	2651	Looped spring	1
20	1800408	9204	Hex thin nut	1
21	7401177	2629	Stop lever	1
22	7401178	2630	Eccentric screw	1
23	1800323	9411	Curved spring	1

# EPK21 PARTS LIST



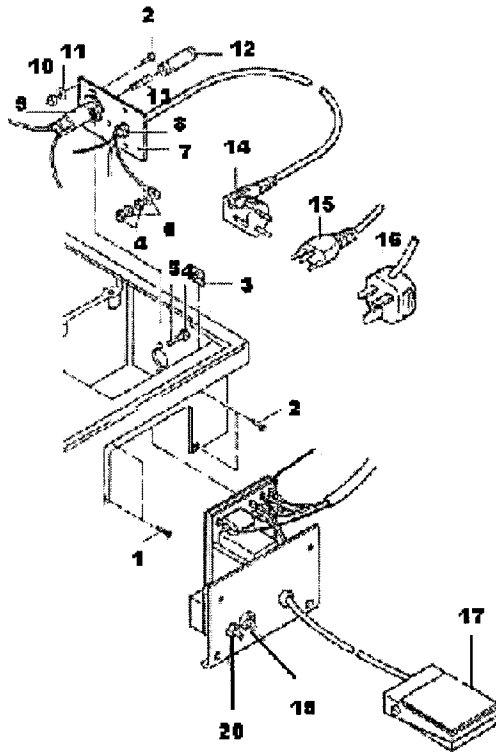
ITEM	GBC#	IBICO#	DESCRIPTION	QTY.
1	7401222	1284	Motor 115v	1
2	7401053	1218	Gear chassis , cpl.	1
3	7401057	1229	Stop arm , pre-ass.	1
4	7401059	1247	Worm gear , cpl.	1
5	7401099	2205	Sleeve	1
6	7401101	2206	Axle	1
7	7401110	2214	Cam	1
8	7401117	2233	Eccentric bolt	1
9	7401121	2235	Flange bearing	1
10	7401127	2242	Pressure spring	2
11	1800175	9111	Hex socket hd cap screw	1
12	1800140	9021	Countersunk hd screw	2
13	1800409	9206	Hex thin nut	1
14	1800408	9204	Hex thin nut	1
15	1800463	9514	Retaining washer , loose	1
16	1800513	9603	Parallel pin	2
17	1800515	9616	Spiral pin	1
18	N/A	N/A	Receptacle , flat	3
19	1800134	9012	Hex socket hd. cap screw	4
20	1800314	9307	Shim ring	1
21	1800315	9308	Shim ring	1
22	1800306	9309	Shim ring	1

# EPK21 PARTS LIST

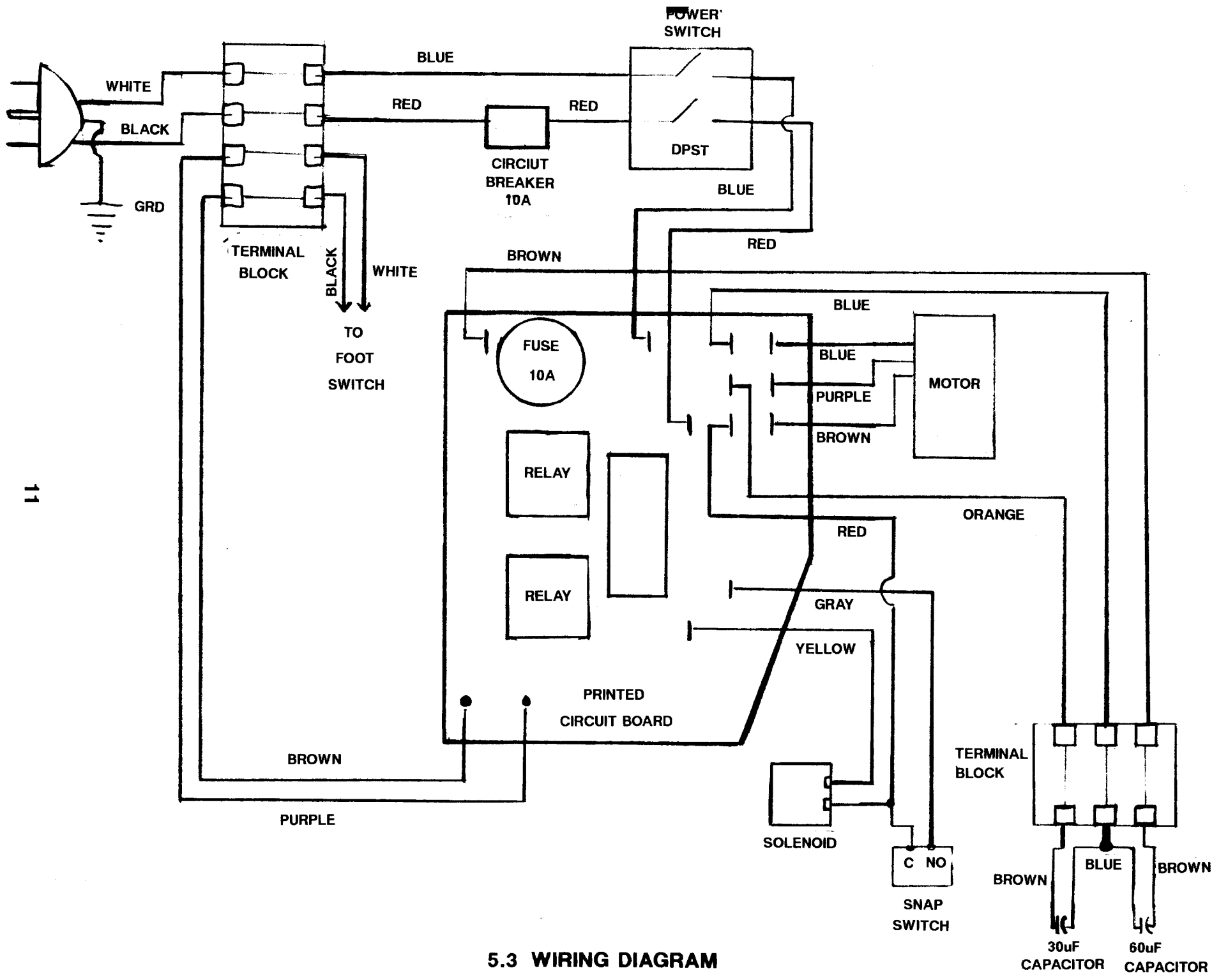


ITEM	GBC#	IBICO#	DESCRIPTION	QTY.
1	7401112	2221	Clutch bolt	1
2	7401128	2243	Pressure spring	1
3	7401132	2253	Insulation plate	1
4	7401146	2276	Lifting magnet	1
5	7401152	2284	Bolt	1
6	7401160	2602	Microswitch	1
7	7401171	2622	Magnet base	1
8	1800107	9030	Duo-tap screw	4
9	1800147	9032	Duo-tap screw	2
10	1800321	9408	Curved spring washer	4
11	1800461	9501	Retaining ring	1
12	1800467	9509	Grip ring	1

# EPK21 PARTS LIST



ITEM	GBC#	IBICO#	DESCRIPTION	QTY.
1	1800138	9017	Countersunk hd. screw	2
2	1800137	9018	Countersunk hd. screw	2
3	7401198	2678	Ground symbol	1
4	1800407	9203	Hex thin nut	1
5	1800142	9025	Slotted countersunk screw	1
6	1800321	9408	Spring lock washer	2
7	7401126	2241	Cable holder plate	1
8	7401150	2280	Cable feed - through	1
9	7401247	N/A	Fuse holder	1
10	1800407	9203	Hex thin nut	1
11	1800321	9408	Curved spring lock washer	1
12	N/A	N/A	Fuse cap	
13	N/A	N/A	Fuse 6.3 A	1
14	7401225	2650	Power cord 115v	1
15	N/A	2651	Power cord Swiss	1
16	N/A	2652	Power cord UK	1
17	7401228	1252	Foot pedal	1
18	7401227	1250	P.C. board	1
19	7401159	2600	On/Off switch	1
20	7401154	2287	Circuit breaker	1



5.3 WIRING DIAGRAM

## TECHNICAL SERVICE & SUPPORT BULLETIN

T.S.S.B. NO. 2009

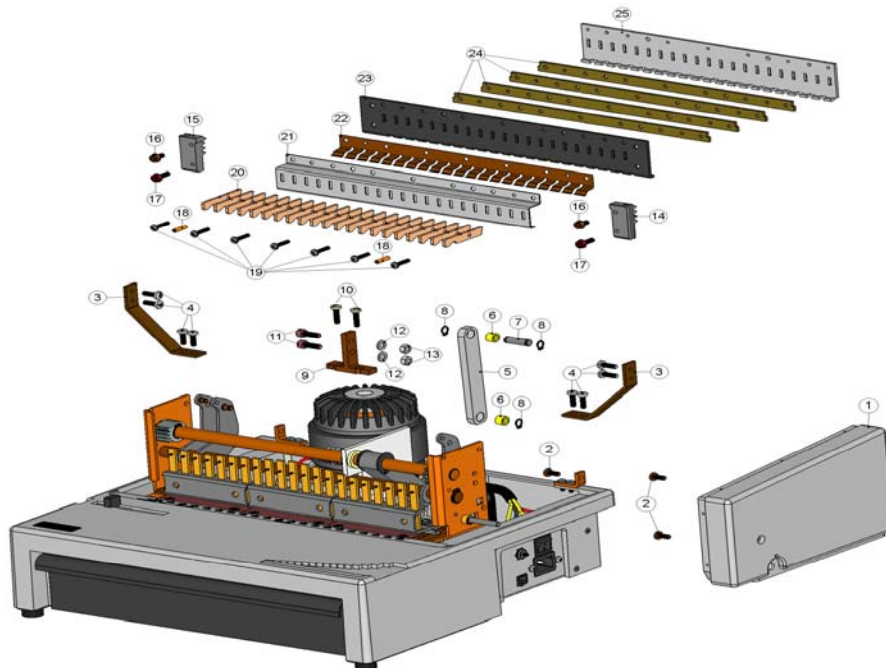
DATE: 02/09/06

MODEL: C800 PRO, EPK21

SUBJECT: New Screws for Gear Racks

PAGE: 1 of 1

The gear racks for the C800 Pro and the EPK21 are no longer threaded at the factory. Self tapping torx screws M5x12, part number 1723154, must now be used when replacing these gear racks. When ordering new gear racks you must also order the screws above (2 per gear rack).



Gear Racks, items 14 & 15.

Screws, items 16 & 17, now the same.

14	7401195	Toothed Rack Right, 22654
15	7401193	Toothed Rack Left, 22655
16	1723154	Self Tapping Torx Screw M5x12, 99046
17		Same as #16 above



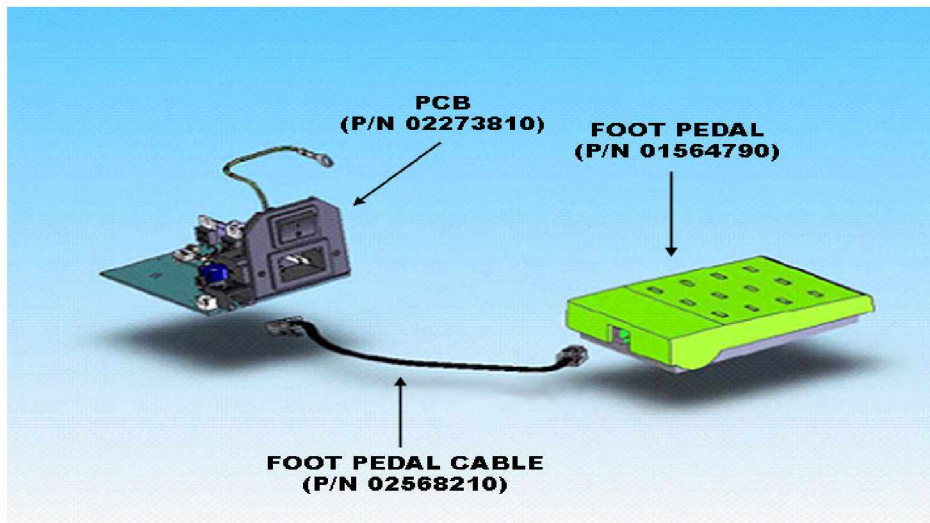
# TECHNICAL SERVICE & SUPPORT BULLETIN

500 Bond St.  
Lincolnshire, IL. 60069

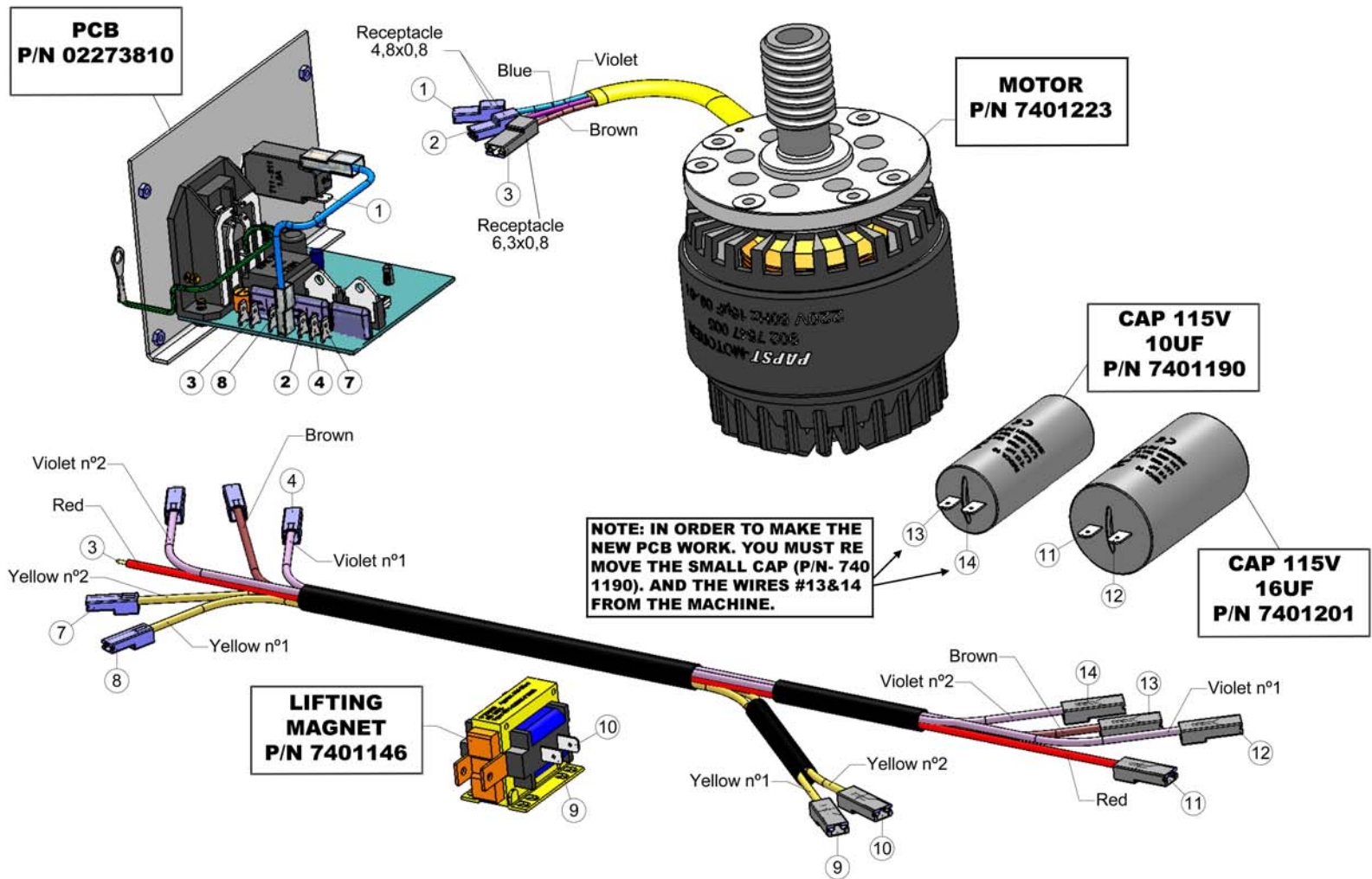
T.S.S.B	2009A	DATE: 6-16-06
MODEL:	<b>EPK-21/C-800 PRO</b>	
SUBJECT:	<b>FOOT PEDAL/PCB CHANGE</b>	PAGE: 1 of 1

The **EPK-21** and the **C-800 PRO** have some similar parts. **Therefore The Foot Pedal And PCB Are Not The Same.** The EPK-21 had a hard wired Foot Pedal and a different PCB. The C-800 PRO has a plug and play phone cord as shown in the diagram below. Please update your service manual with this information.

## C-800 PRO



**NOTE: IF YOU HAVE AN EPK-21 WITH A HARD WIRED FOOT PEDAL. YOU MUST REPLACE ALL OF THE PARTS SHOWN ABOVE.**



**C-800/EPK-21 NEW PCB WIRING DIAGRAM.**