



DOCUSEAL 400 Parts List

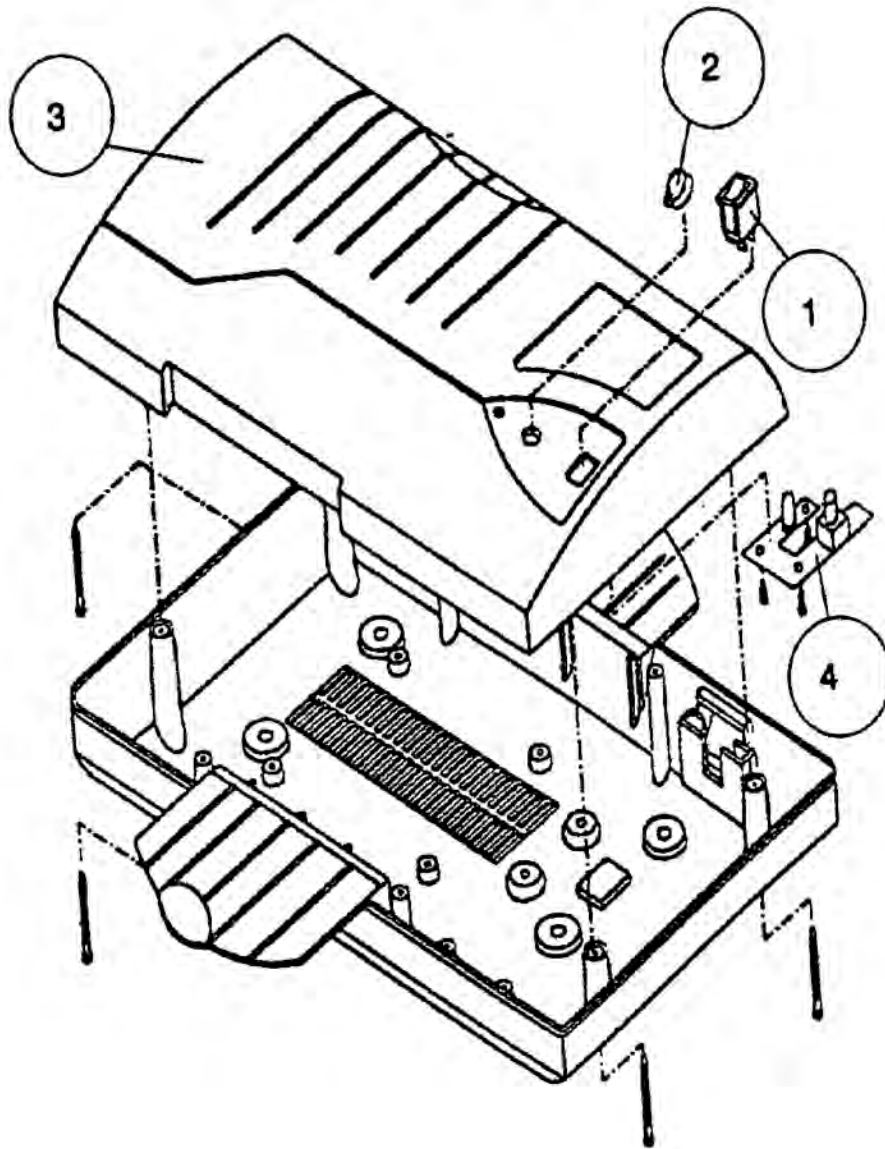


GBC IS AN ACCO BRANDS COMPANY

DOCUSEAL 400 PARTS LIST

8.0 PARTS

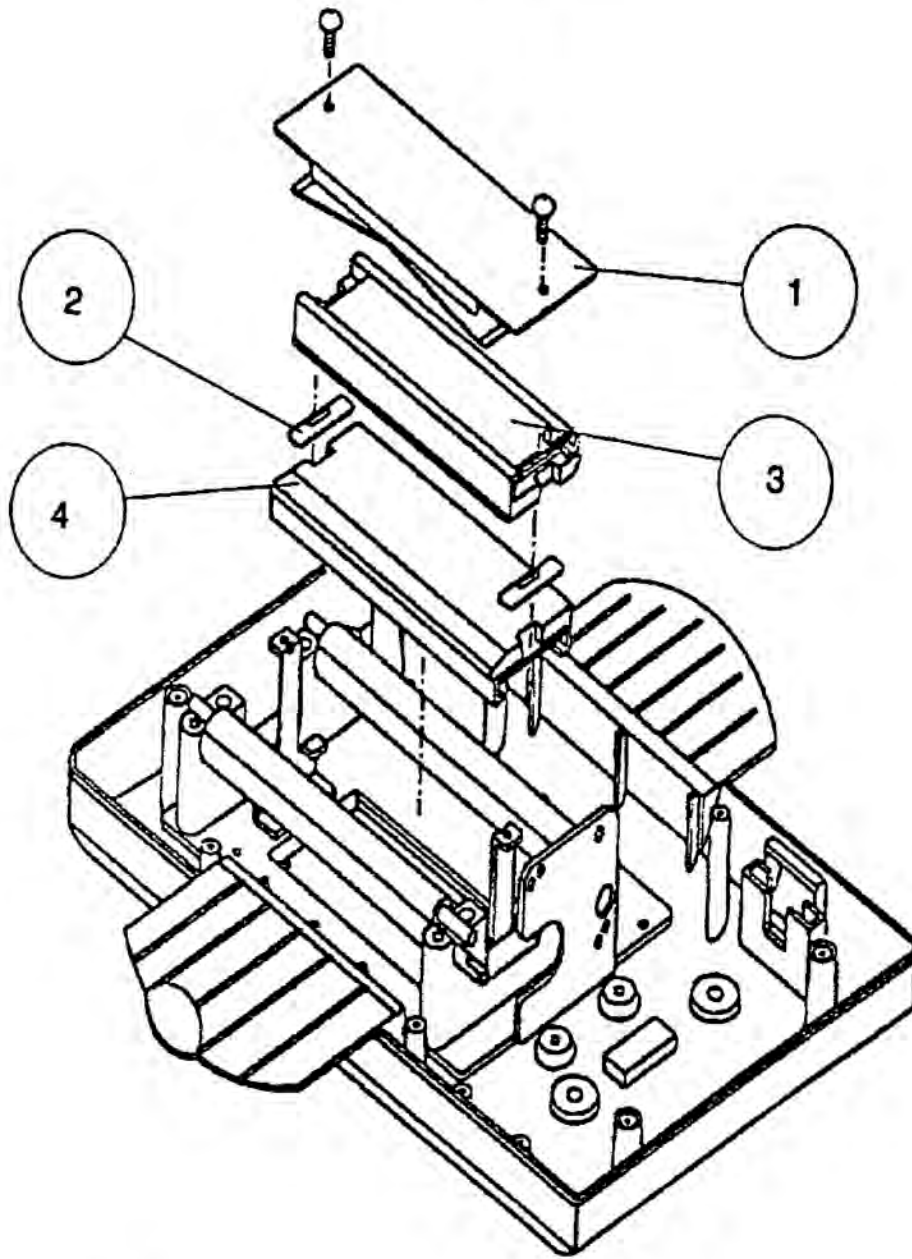
Figure 8.1



| ITEM NO. | PART NO. | DESCRIPTION | QTY. |
|----------|----------|------------------------------------|------|
| 1 | 1700677 | ROCKER SWITCH, POWER | 1 |
| 2 | 1700679 | KNOB, HEAT ADJUSTMENT | 1 |
| 3 | 1700466 | OUTER HOUSING, UPPER, DOCUSEAL 400 | 1 |
| 4 | 1700418 | PC BOARD, CONTROL, 115V/230V | 1 |

8.0 PARTS

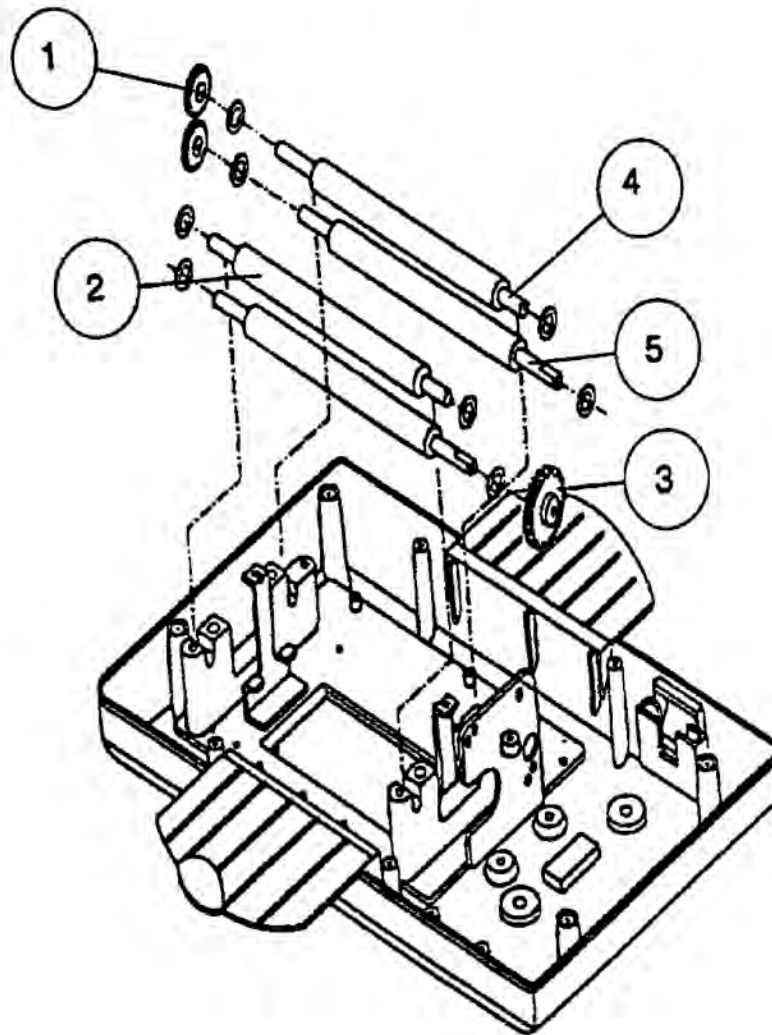
Figure 8.2



| ITEM NO. | PART NO. | DESCRIPTION | QTY. |
|----------|----------|--|------|
| 1 | 1700498 | SPRING PLATE, MICA HEATERS, DOCUSEAL 400 | 1 |
| 2 | 1700497 | SPACER, HEATER PLATEN | 2 |
| 3 | 1700491 | HEATER PLATEN, UPPER | 1 |
| 4 | 1700493 | HEATER PLATEN, LOWER, w/THERMOCOUPLE | 1 |

8.0 PARTS

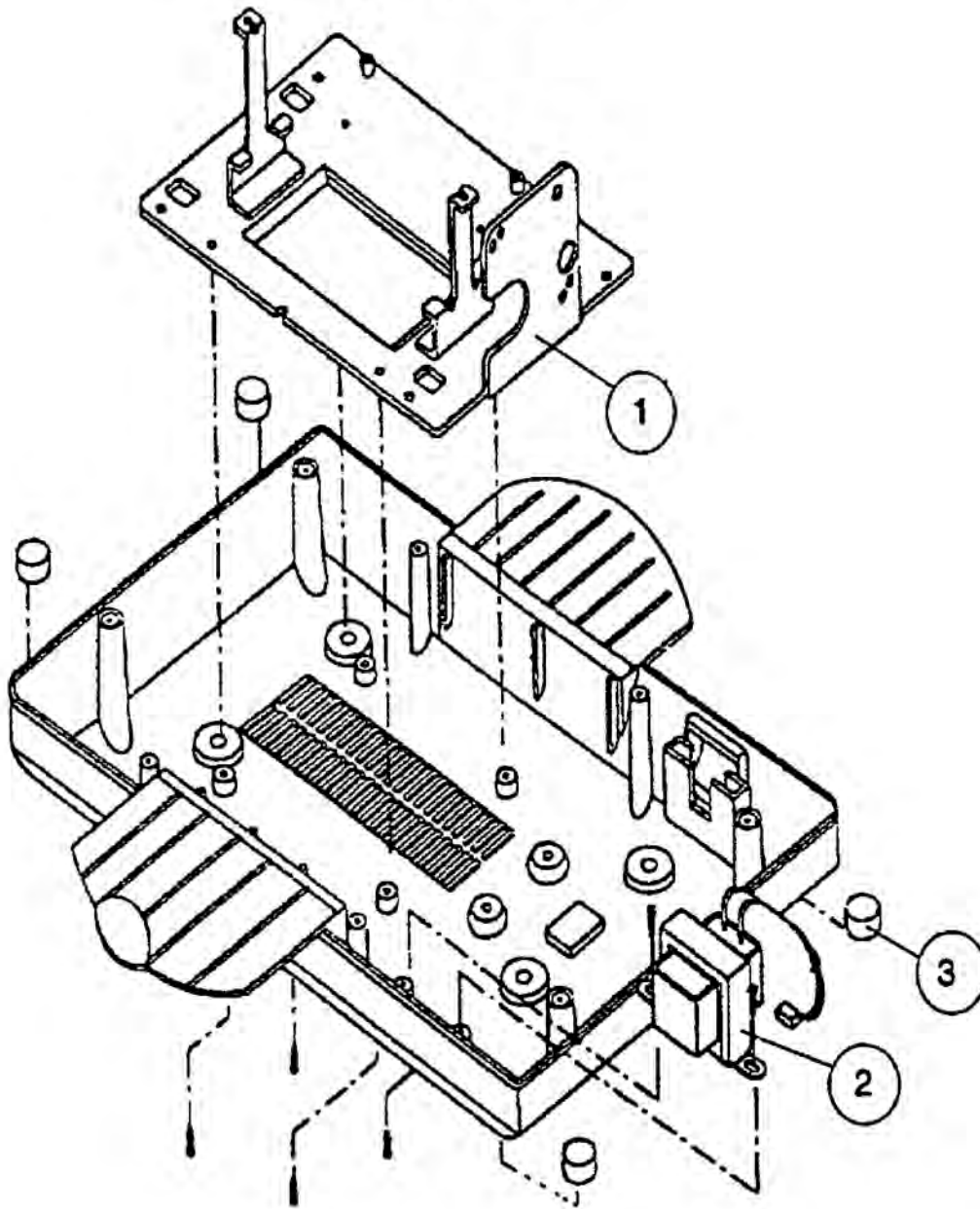
Figure 8.3



| ITEM NO. | PART NO. | DESCRIPTION | QTY. |
|----------|----------|--|------|
| 1 | 1700478 | GEAR, ROLLER, REAR, LEFT, DOCUSEAL 400 | 2 |
| 2 | 1700470 | FRONT ROLLER, DOCUSEAL 400 | 2 |
| 3 | 1700477 | GEAR, ROLLER, RIGHT | 1 |
| 4 | 1700471 | NIP ROLLER, UPPER, DOCUSEAL 400 | 1 |
| 5 | 1700472 | NIP ROLLER, LOWER, DOCUSEAL 400 | 1 |

8.0 PARTS

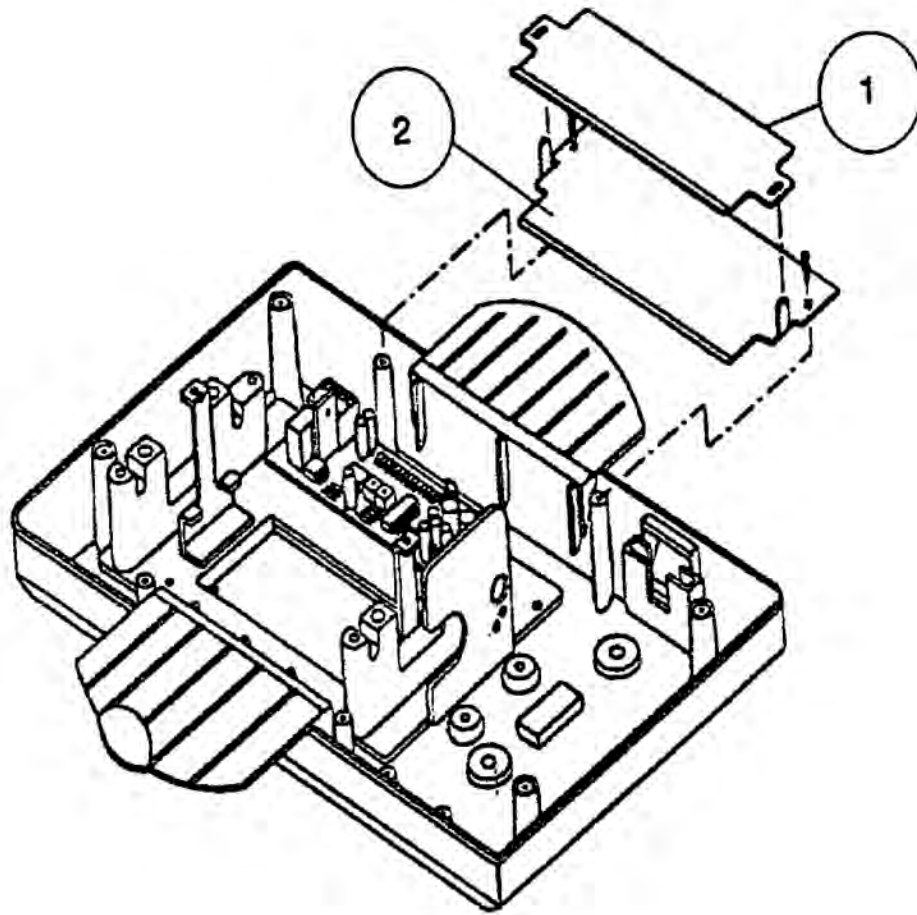
Figure 8.4



| ITEM NO. | PART NO. | DESCRIPTION | QTY. |
|----------|----------|-------------------------|------|
| 1 | 1700675 | STEEL BASE DOCUSEAL 400 | 1 |
| 2 | 1700417 | TRANS FORMER,115V | 1 |
| 2 | 1700427 | TRANS FORMER 230V | 1 |
| 3 | 1700682 | RUBBER FEET | 4 |

8.0 PARTS

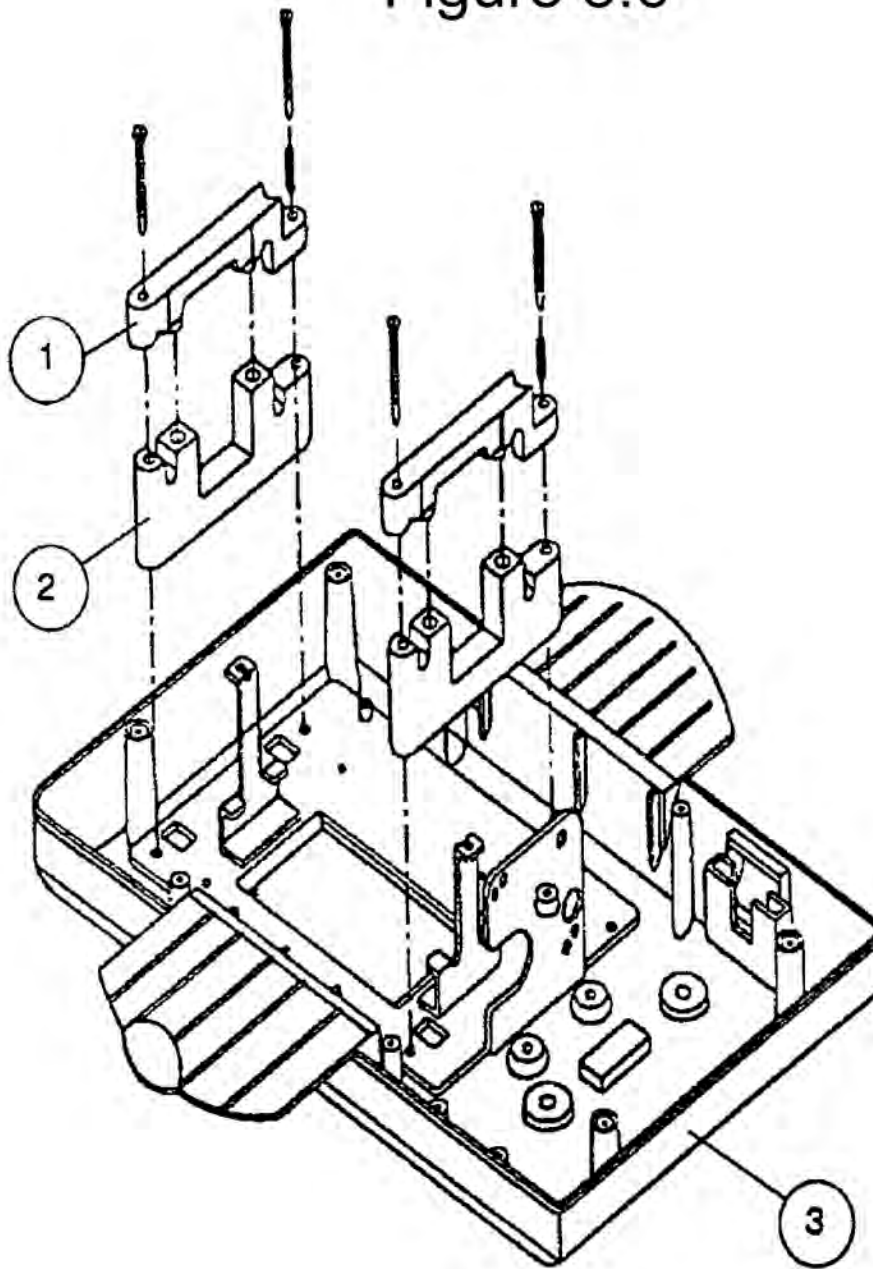
Figure 8.5



| ITEM NO. | PART NO. | DESCRIPTION | QTY. |
|----------|----------|--------------------------|------|
| 1 | 1700669 | EXIT PLATE, DOCUSEAL 400 | 1 |
| 2 | 1700667 | REAR TABLE, DOCUSEAL 400 | 1 |

8.0 PARTS

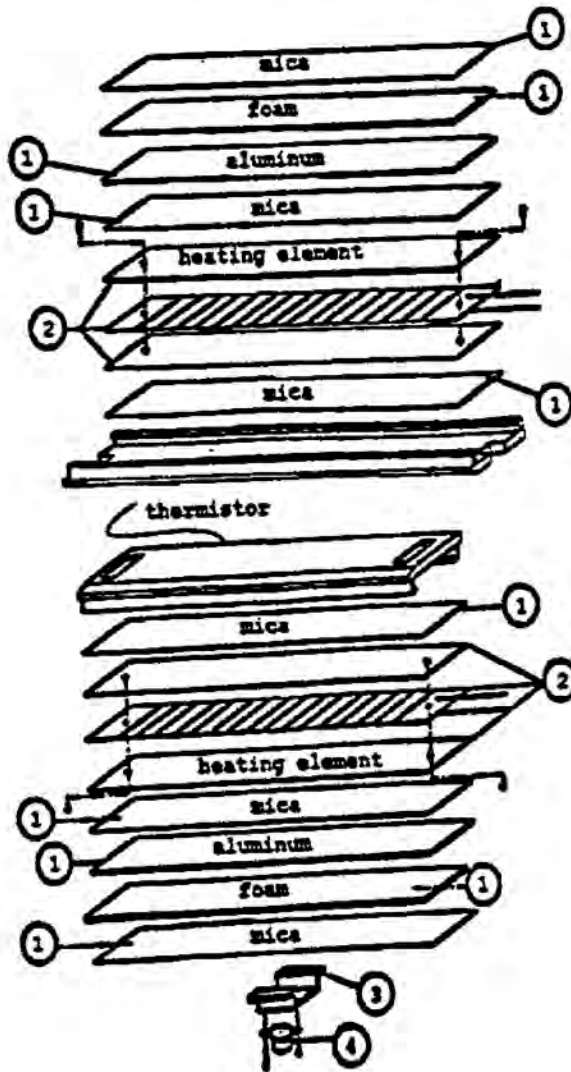
Figure 8.6



| ITEM NO. | PART NO. | DESCRIPTION | QTY. |
|----------|----------|---------------------------------|------|
| 1 | 1700486 | SIDE PLATE,UPPER, DOCUSEAL 400 | 2 |
| 2 | 1700485 | SIDE PLATE, LOWER, DOCUSEAL 400 | 2 |
| 3 | 1700465 | HOUSING, LOWER, DOCUSEAL 400 | 1 |

8.0 PARTS

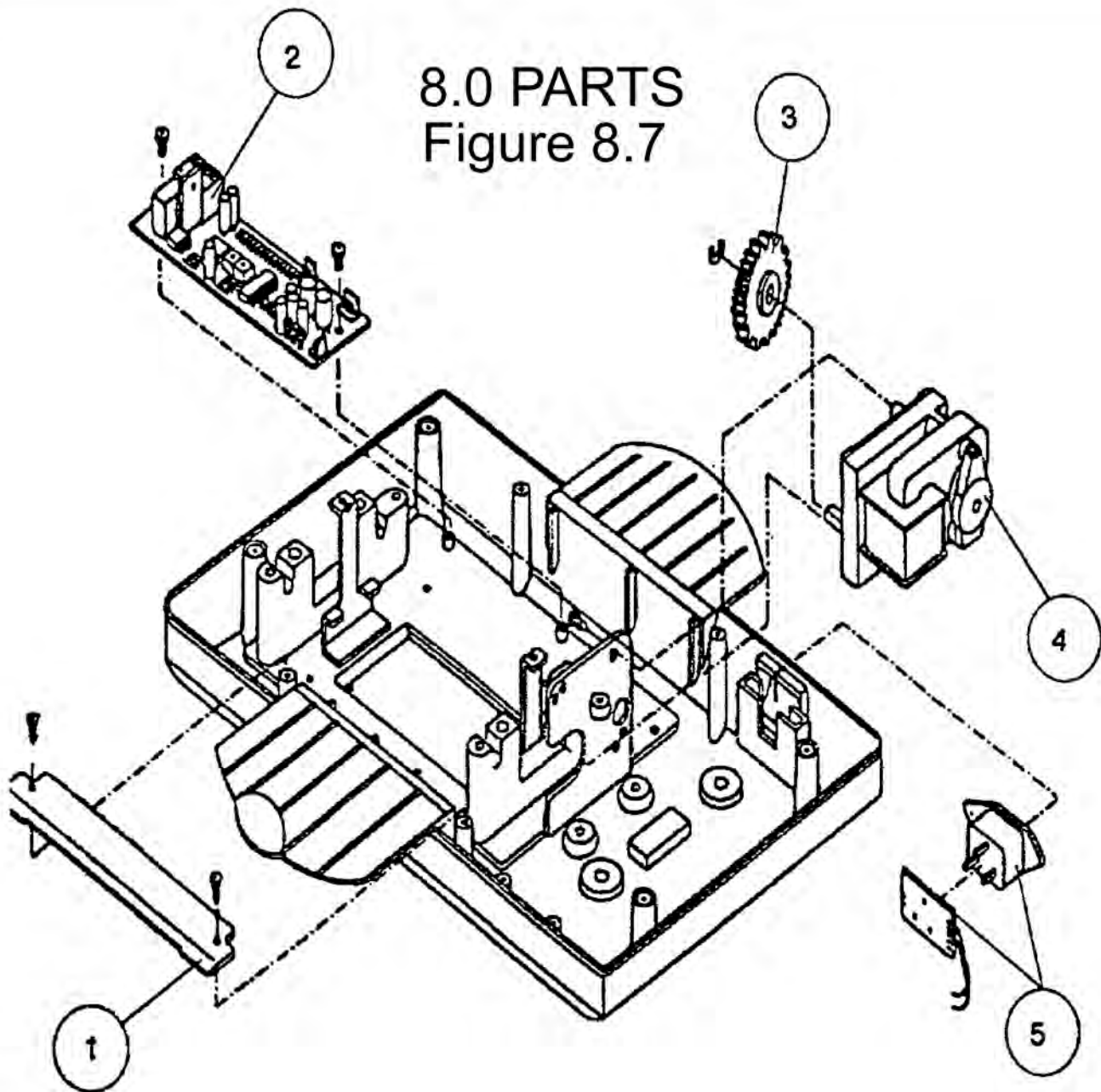
Figure 8.7



| ITEM NO. | PART NO. | DESCRIPTION | QTY. |
|----------|----------|----------------------------------|------|
| 1 | 1700495 | INSULATORS, HEATER, DOCUSEAL 400 | 1 |
| 2 | 1700414 | MICA HEATERS 115V,DOCUSEAL 400 | 2 |
| 2 | 1700424 | MICA HEATERS 230V,DOCUSEAL 400 | 2 |
| 3 | REF. | BRACKET, THERMOSTAT | 1 |
| 4 | 1700671 | THERMOSTAT, TEMPERATURE LIMITING | 1 |

8.0 PARTS

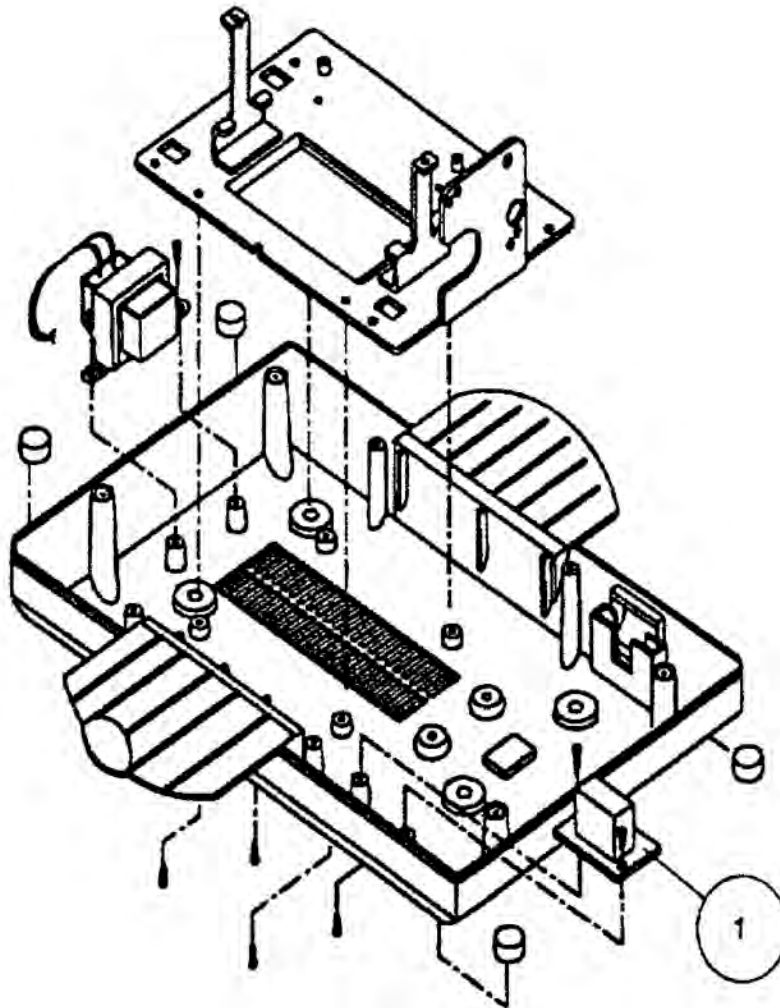
Figure 8.7



| ITEM NO. | PART NO. | DESCRIPTION | QTY. |
|----------|----------|---|------|
| 1 | 1700680 | BRIDGE, FRONT, DOCUSEAL 400 | 1 |
| 2 | 1700415 | PC BOARD, MAIN, 115V/230V, DOCUSEAL 400 | 1 |
| 3 | 1700476 | GEAR, MOTOR, DOCUSEAL 400 | 1 |
| 4 | 1700416 | AC GEARMOTOR, 115V, DOCUSEAL 400 | 1 |
| 4 | 1700426 | AC GEARMOTOR, 230V, DOCUSEAL 400 | 1 |
| 5 | 07060508 | INLET SOCKET/INLET PC BOARD, DOCUSEAL 400 | 1 |
| | 1700649 | Powercord | |

8.0 PARTS

Figure 8.9



| ITEM NO. | PART NO. | DESCRIPTION | QTY. |
|----------|----------|------------------|------|
| 1 | 1700413 | RELAY BOARD 115V | 1 |
| 1 | 1700423 | RELAY BOARD 230V | 1 |