



DOCUSEAL 400, 1200 Parts List



GBC IS AN ACCO BRANDS COMPANY

8.0 PARTS

All parts in each illustration are keyed with an index number for reference to the respective part number, part name, and quantity in the parts list.

When ordering service parts, always include the following information:

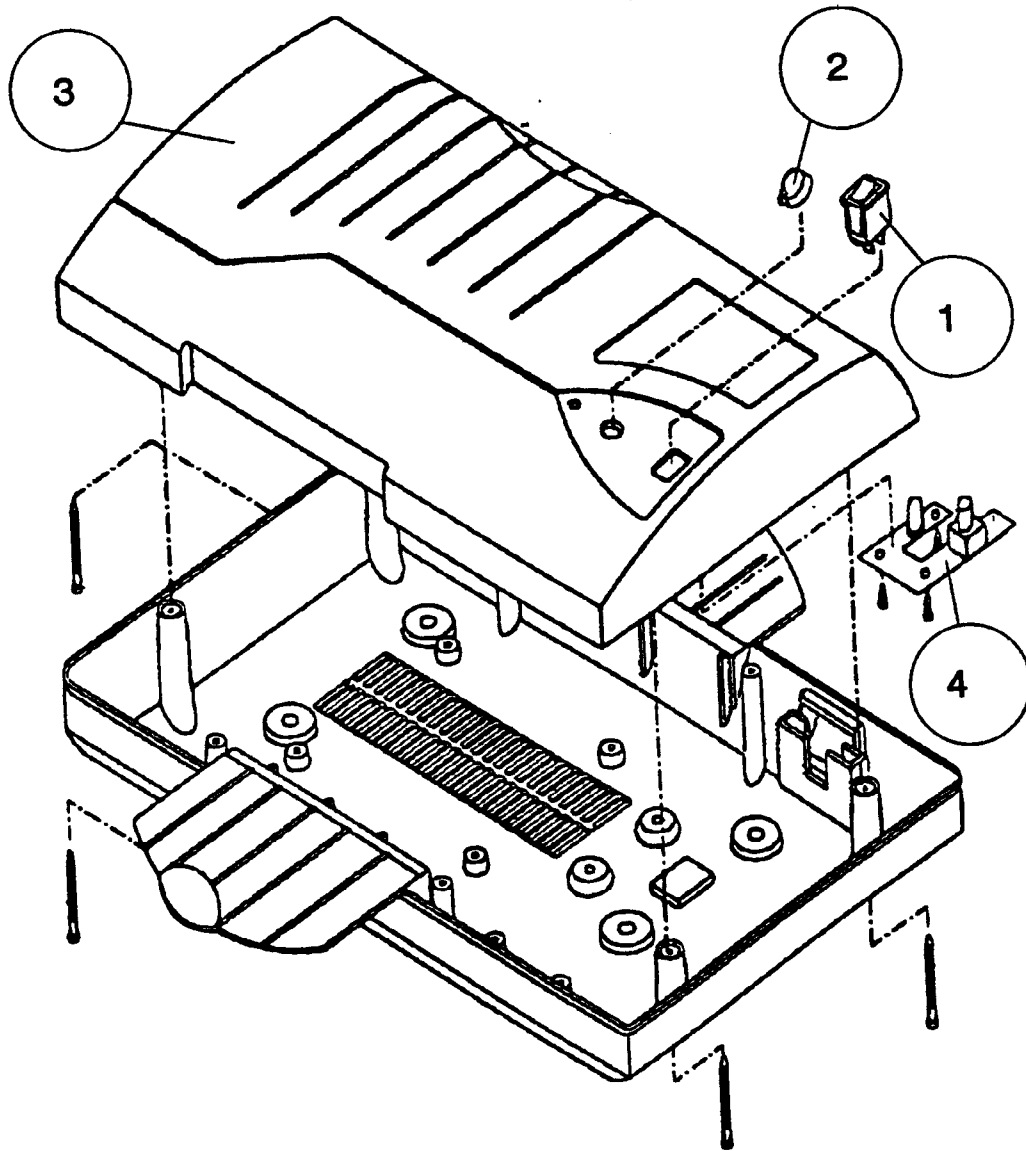
1. Machine Model Number
2. Machine Assembly Number
3. Machine Serial Number
4. Part Number
5. Part Name
6. Quantity Required

Note: The Northbrook Service Parts Department does not stock hardware items, standard hardware items should be procured locally.

8.0 PARTS

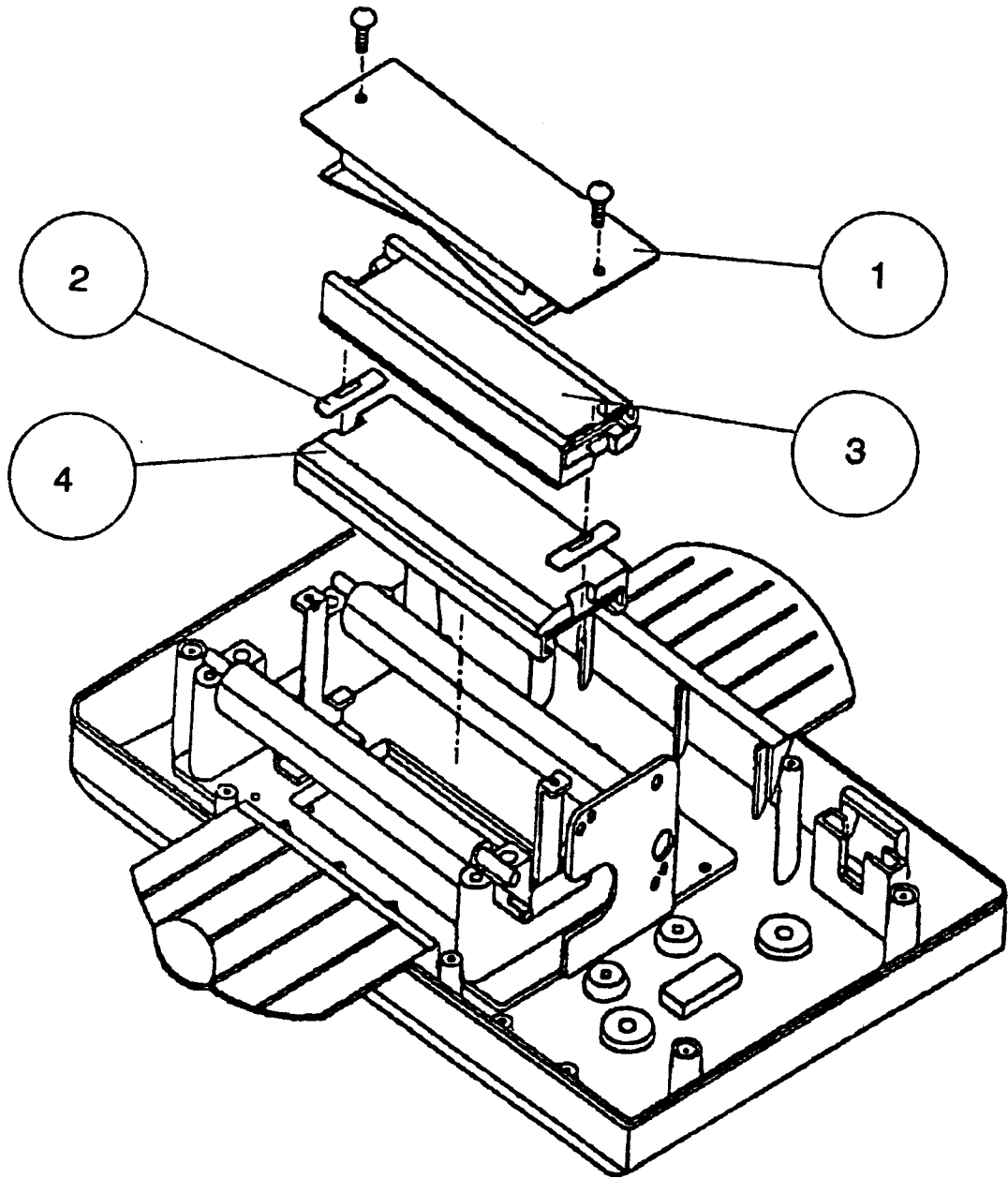
DOCUSEAL 400

8.0 PARTS
FIGURE 8.1



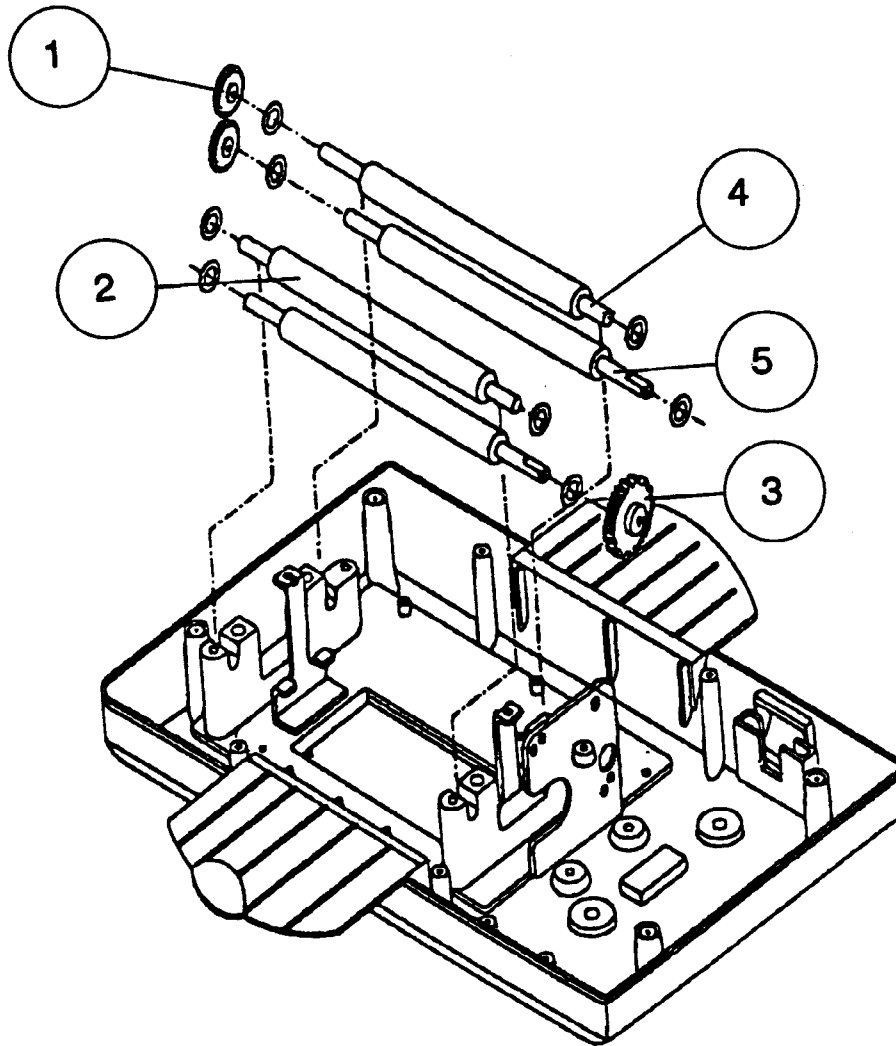
ITEM NO.	PART NO.	DESCRIPTION	QTY.
1	1700677	ROCKER SWITCH, POWER	1
2	1700679	KNOB, HEAT ADJUSTMENT	1
3	1700466	OUTER HOUSING, UPPER, DOCUSEAL 400	1
4	1700418	PC BOARD, CONTROL, 115V/230V	1

8.0 PARTS
FIGURE 8.2



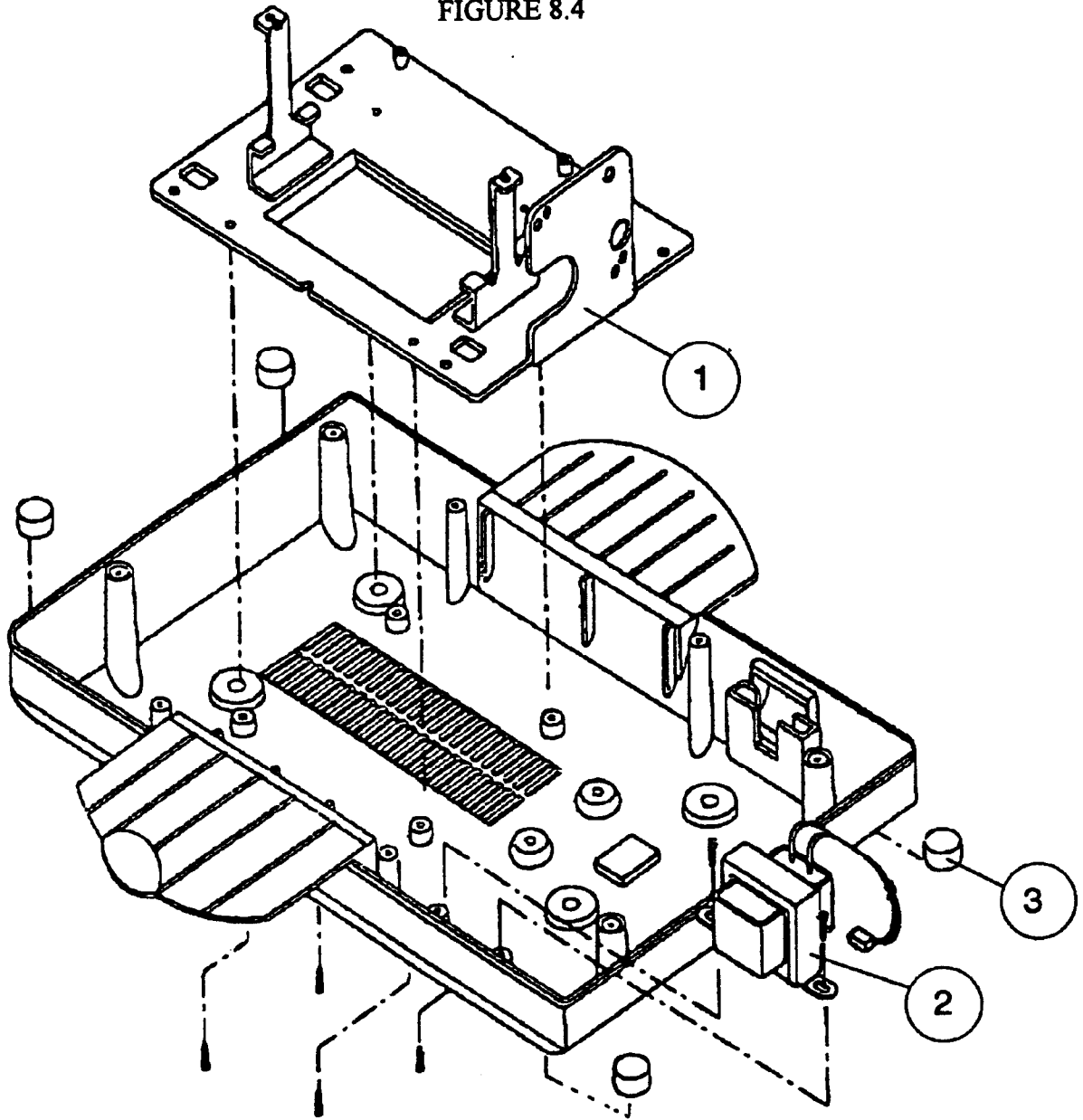
ITEM NO.	PART NO.	DESCRIPTION	QTY.
1	1700498	SPRING PLATE, MICA HEATERS, DOCUSEAL 400	1
2	1700497	SPACER, HEATER PLATEN	2
3	1700491	HEATER PLATEN, UPPER	1
4	1700493	HEATER PLATEN, LOWER, w/THERMOCOUPLE	1

8.0 PARTS
FIGURE 8.3



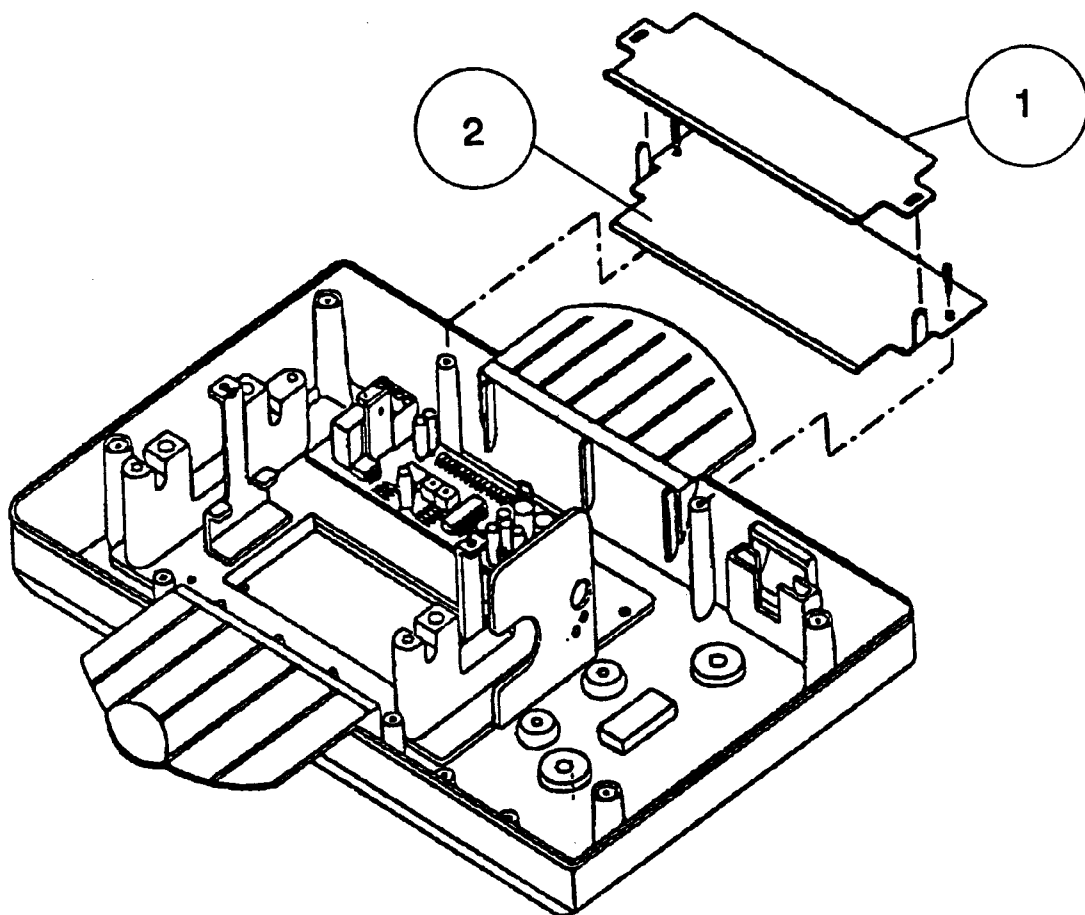
ITEM NO.	PART NO.	DESCRIPTION	QTY.
1	1700478	GEAR, ROLLER, REAR,LEFT,DOCUSEAL 400	2
2	1700470	FRONT ROLLER, DOCUSEAL 400	2
3	1700477	GEAR, ROLLER, RIGHT	1
4	1700471	NIP ROLLER, UPPER, DOCUSEAL 400	1
5	1700472	NIP ROLLER, LOWER, DOCUSEAL 400	1

8.0 PARTS
FIGURE 8.4



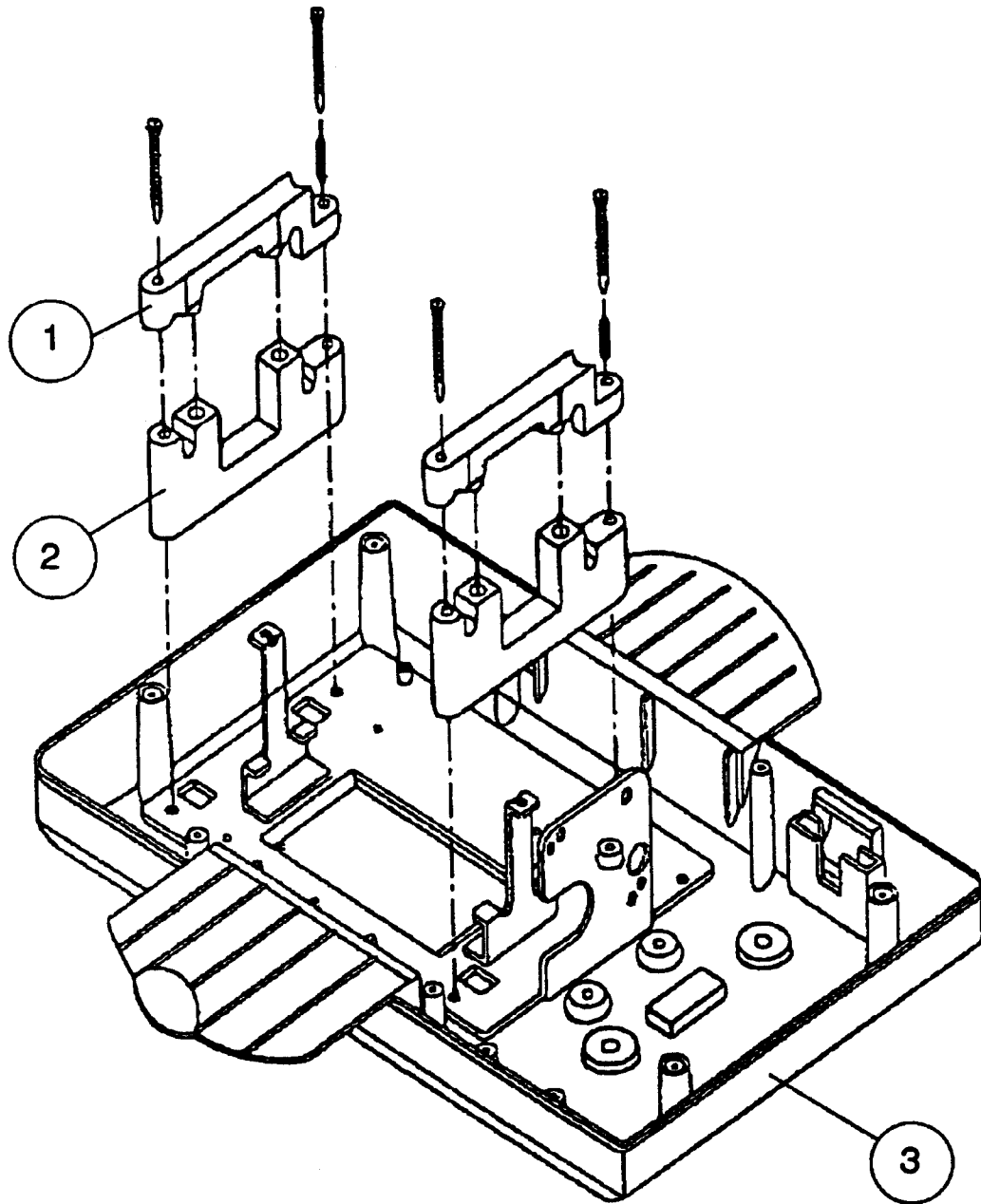
ITEM NO.	PART NO.	DESCRIPTION	QTY.
1	1700675	STEEL BASE DOCUSEAL 400	1
2	1700417	TRANS FORMER,115V	1
2	1700427	TRANS FORMER 230V	1
3	1700682	RUBBER FEET	4

8.0 PARTS
FIGURE 8.5



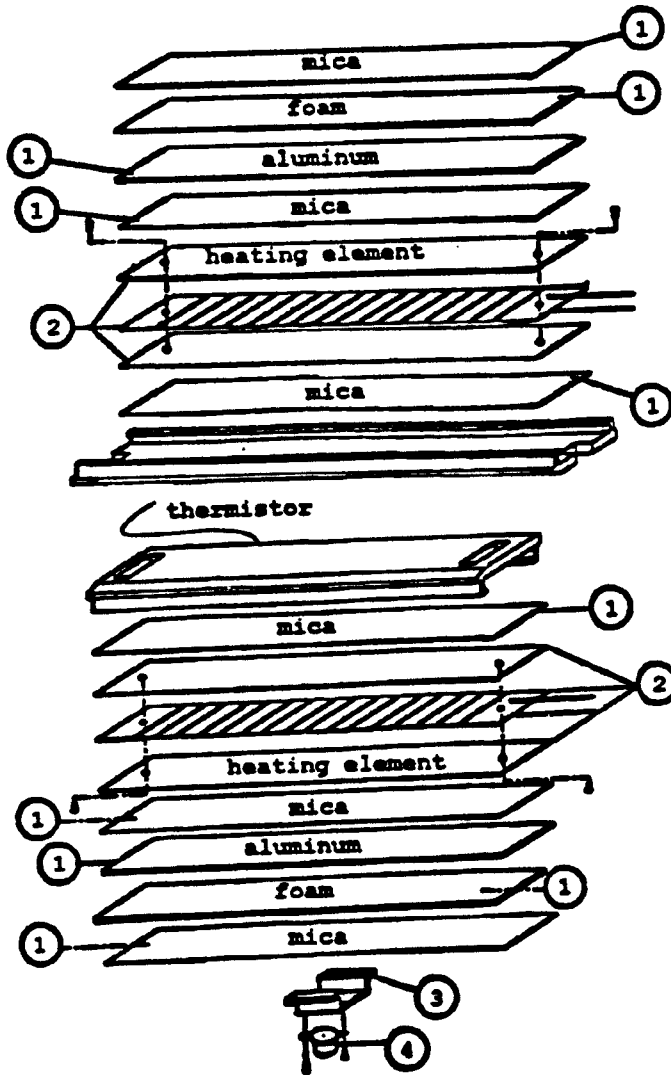
ITEM NO.	PART NO.	DESCRIPTION	QTY.
1	1700669	EXIT PLATE, DOCUSEAL 400	1
2	1700667	REAR TABLE, DOCUSEAL 400	1

8.0 PARTS
FIGURE 8.6



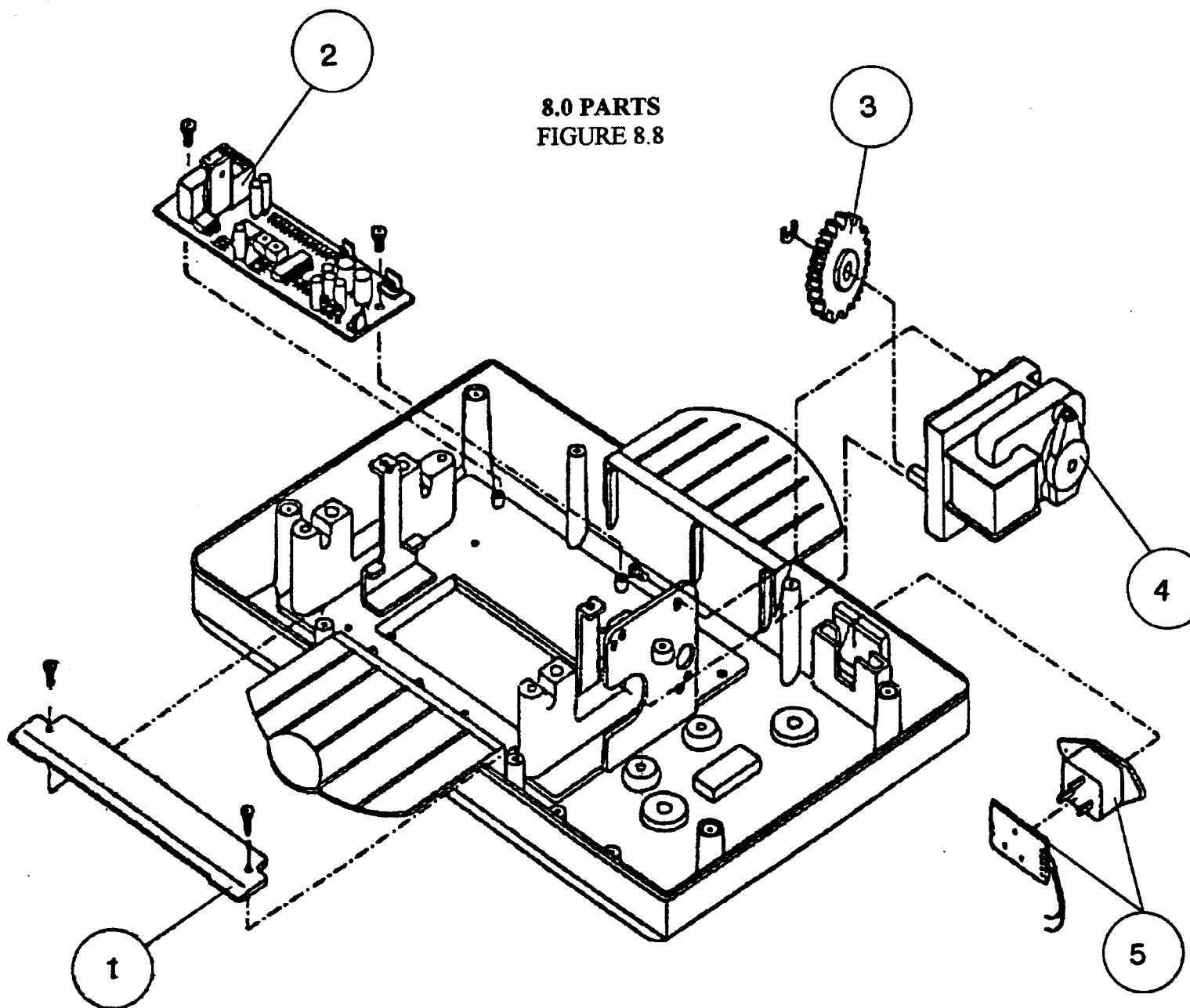
ITEM NO.	PART NO.	DESCRIPTION	QTY.
1	1700486	SIDE PLATE, UPPER, DOCUSEAL 400	2
2	1700485	SIDE PLATE, LOWER, DOCUSEAL 400	2
3	1700465	HOUSING, LOWER, DOCUSEAL 400	1

8.0 PARTS
FIGURE 8.7



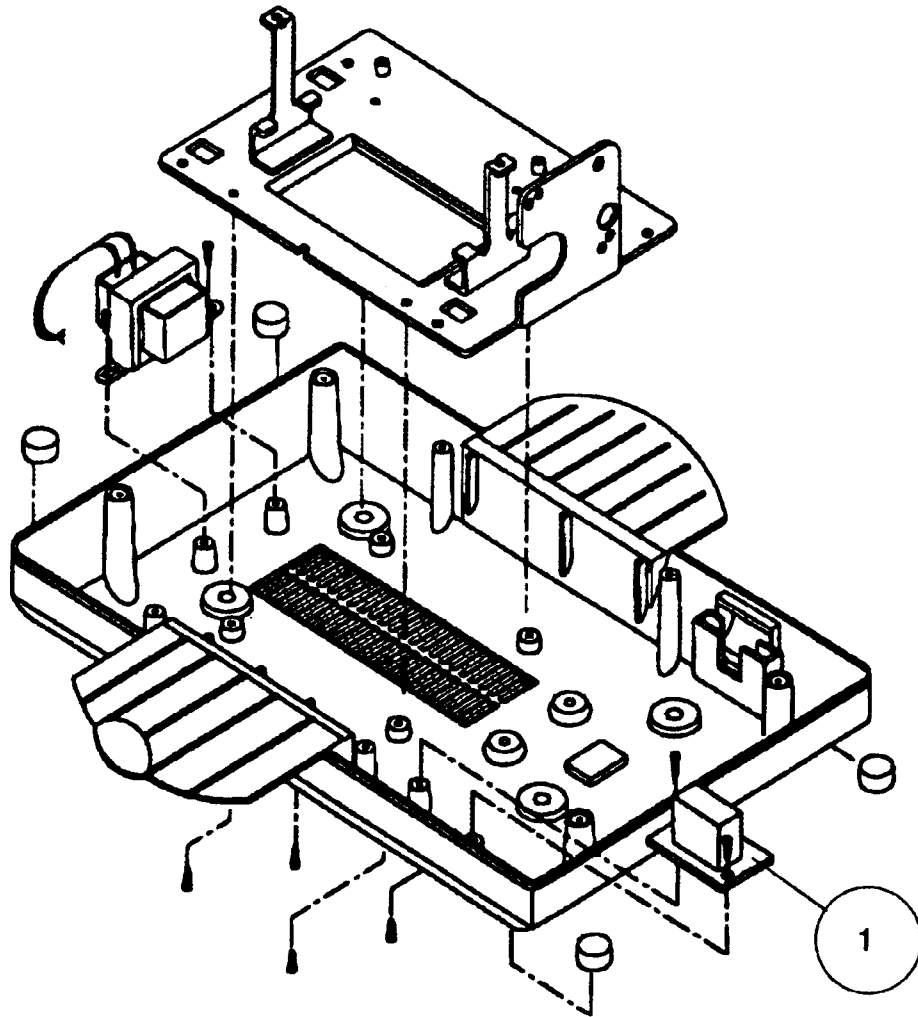
ITEM NO.	PART NO.	DESCRIPTION	QTY.
1	1700495	INSULATORS, HEATER, DOCUSEAL 400	1
2	1700414	MICA HEATERS 115V,DOCUSEAL 400	2
2	1700424	MICA HEATERS 230V,DOCUSEAL 400	2
3	REF.	BRACKET, THERMOSTAT	1
4	1700671	THERMOSTAT, TEMPERATURE LIMITING	1

8.0 PARTS
FIGURE 8.8



ITEM NO.	PART NO.	DESCRIPTION	QTY.
1	1700680	BRIDGE, FRONT, DOCUSEAL 400	1
2	1700415	PC BOARD, MAIN, 115V/230V, DOCUSEAL 400	1
3	1700476	GEAR, MOTOR, DOCUSEAL 400	1
4	1700416	AC GEARMOTOR, 115V, DOCUSEAL 400	1
4	1700426	AC GEARMOTOR, 230V, DOCUSEAL 400	1
5	1700674	INLET SOCKET/INLET PC BOARD, DOCUSEAL 400	1

8.0 PARTS
FIGURE 8.9

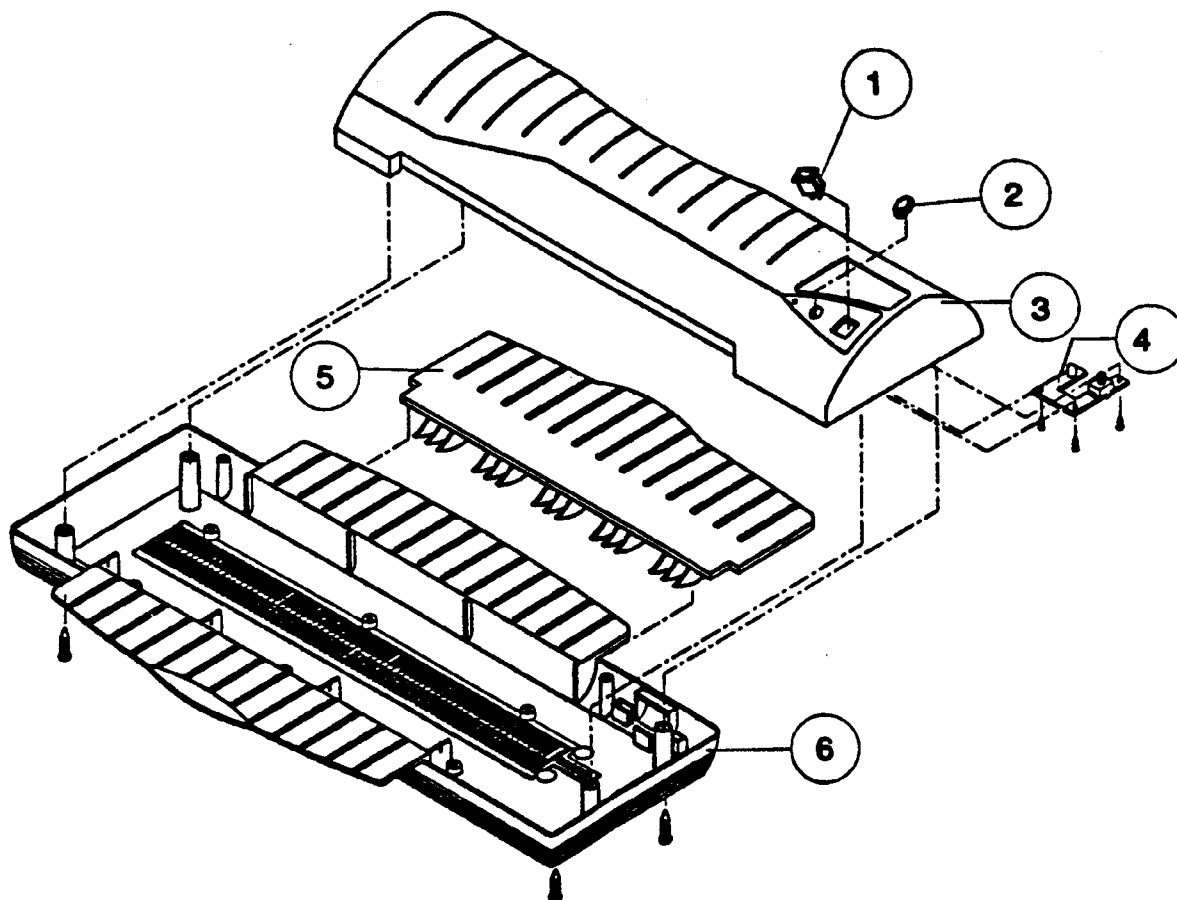


ITEM NO.	PART NO.	DESCRIPTION	QTY.
1	1700413	RELAY BOARD 115V	1
1	1700423	RELAY BOARD 230V	1

8.0 PARTS

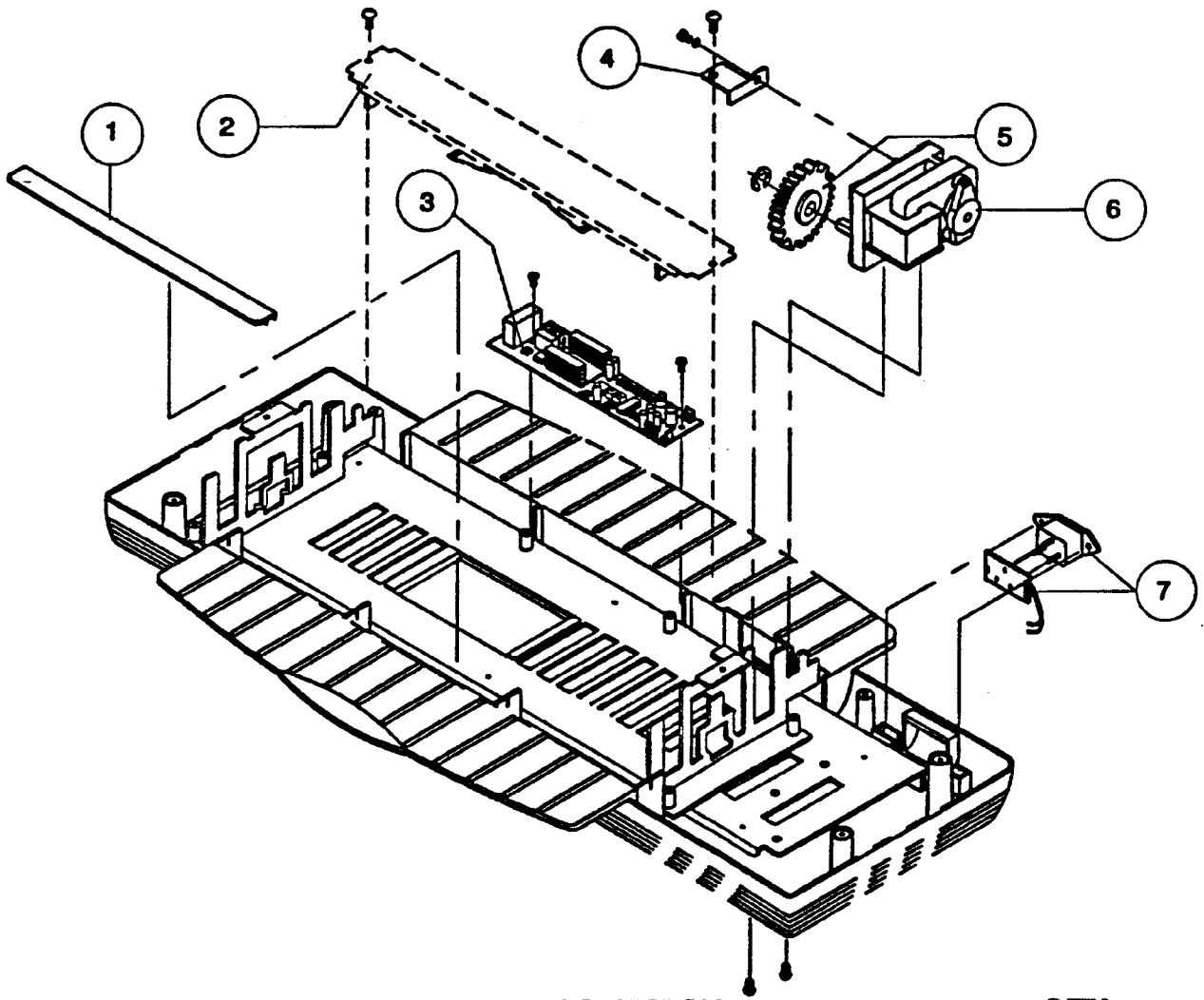
DOCUSEAL 1200

8.0 PARTS
FIGURE 8.1



ITEM NO.	PART NO.	DESCRIPTION	QTY.
1	1700677	ROCKER SWITCH, POWER, 115V	1
1	1700678	ROCKER SWITCH, POWER, 230V	1
2	1700679	KNOB,HEAT ADJUSTMENT	1
3	1700468	OUTER HOUSING, UPPER, DOCUSEAL 1200	1
4	1700418	PC BOARD, CONTROL, 115V/230V	1
5	1700469	EXTENSION TRAY, DOCUSEAL 1200 ONLY	1
6	1700467	OUTER HOUSING, LOWER, DOCUSEAL 1200	1

8.0 PARTS
FIGURE 8.2



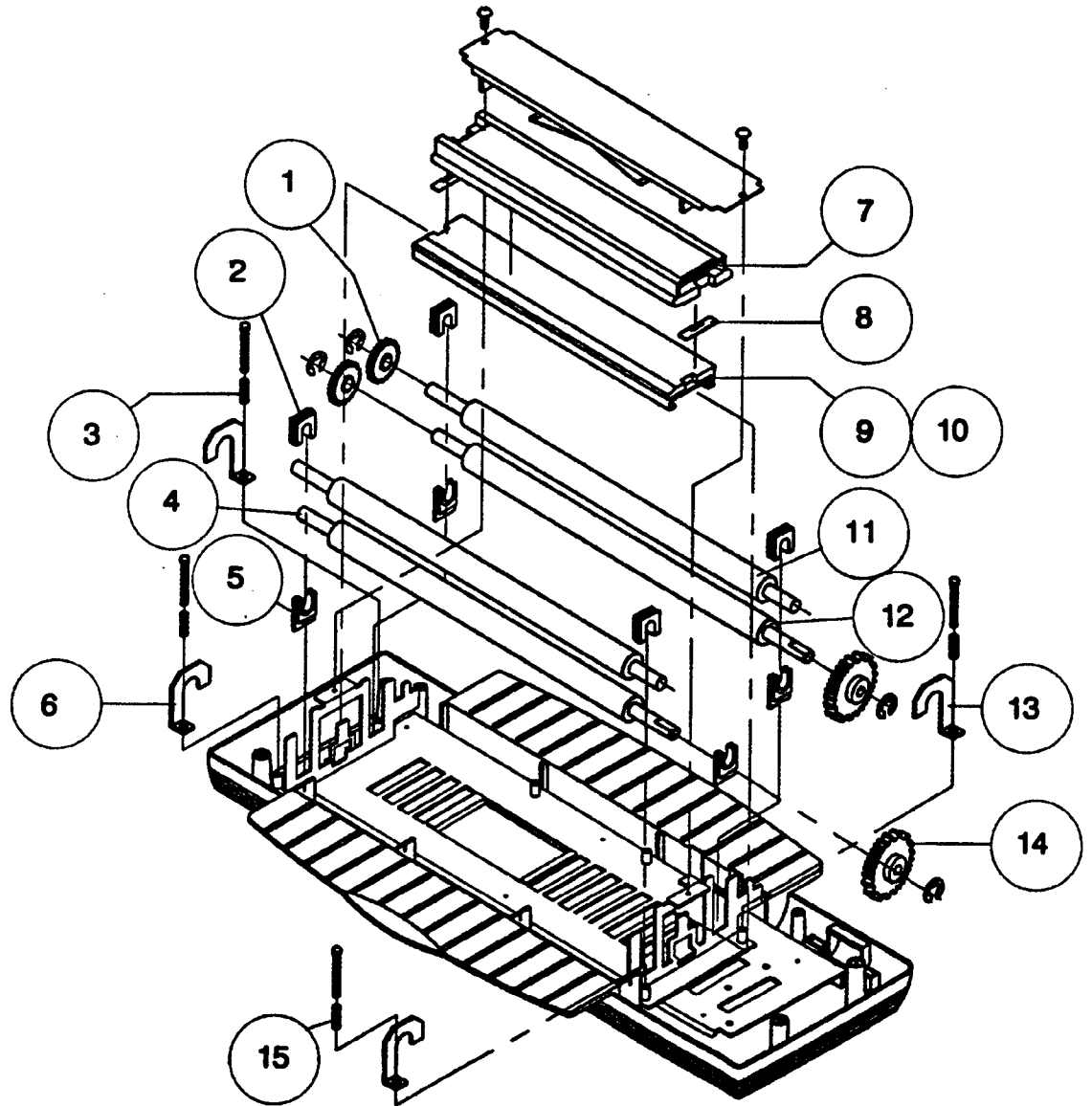
ITEM NO.	PART NO.	DESCRIPTION	QTY.
1	1700681	BRIDGE, FRONT, DOCUSEAL 1200	1
2	1700499	SPRING PLATE, MICA HEATERS, DOCUSEAL 1200	1
3	1700615	PC BOARD, MAIN 115V/230V, DOCUSEAL 1200	1
4	1700666	MOTOR SUPPORT, DOCUSEAL 1200	1
5	1700480	SPUR GEAR LARGE, MOTOR, DOCUSEAL 1200	1
6	1700616	AC GEAR MOTOR 115V DOCUSEAL 1200	1
6	1700626	AC GEAR MOTOR 230V DOCUSEAL 1200	1
7	1700674	INLET SOCKET/ INLET PC BOARD	1

8.0 PARTS

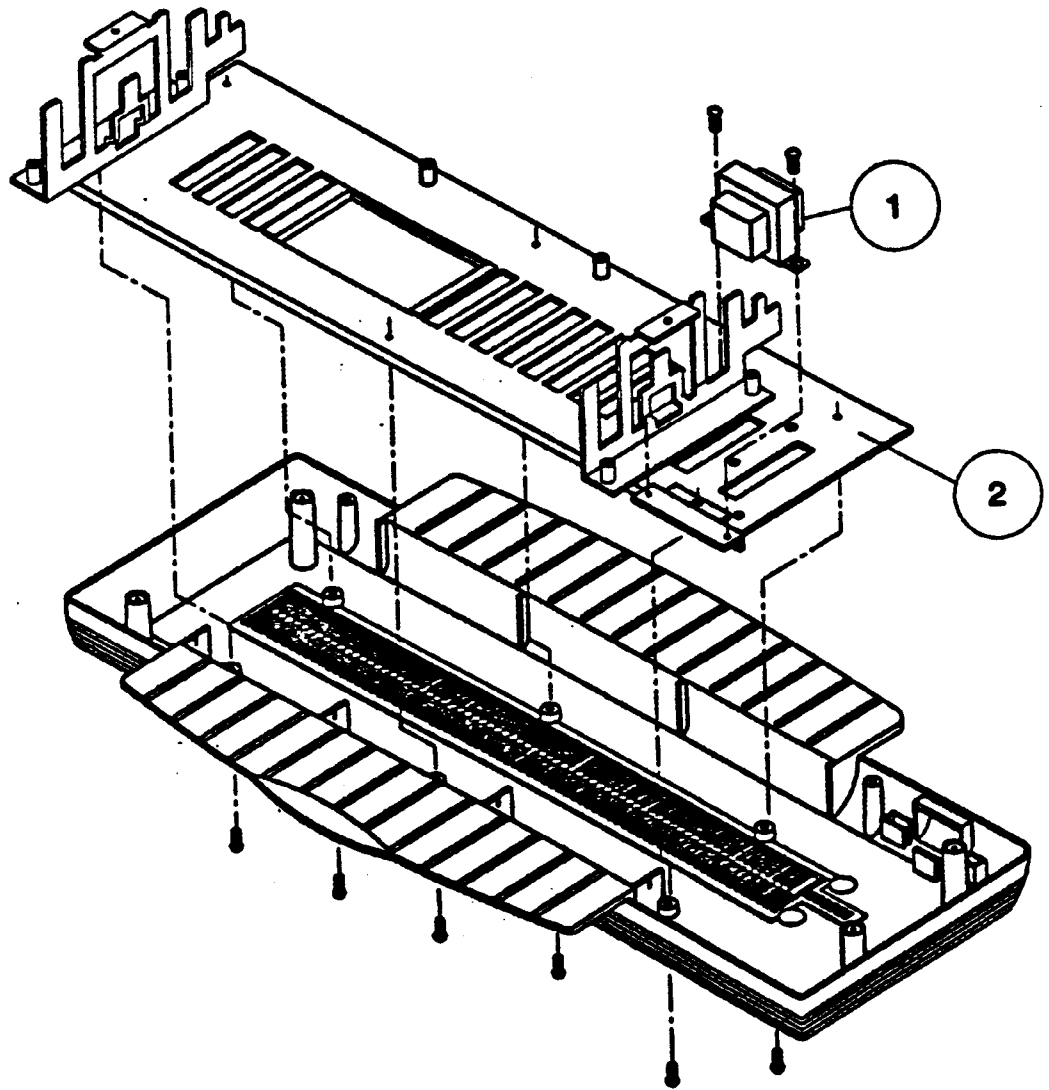
FIGURE 8.3

ITEM NO.	PART NO.	DESCRIPTION	QTY.
1	1700482	GEAR, ROLLER, REAR, LEFT, DOCUSEAL 1200	2
2	1700487	UPPER ROLLER BUSHING	4
3	1700483	SPRING, ROLLER TENSION, REAR	2
4	1700473	FRONT ROLLER, DOCUSEAL 1200	2
5	1700488	LOWER ROLLER BUSHING	4
6	1700489	ROLLER HOOK, (RH) FRONT, (LH) REAR	2
7	1700492	HEAT PLATEN, UPPER, DOCUSEAL 1200	1
8	1700497	SPACER, HEAT PLATEN	2
9	1700494	HEAT PLATEN, w/THERMOCOUPLE, LOWER, DS 1200	1
10	SEE 8.6	TEMPERATURE LIMITING THERMOSTAT	1
11	1700474	NIP ROLLER, UPPER, DOCUSEAL 1200	1
12	1700475	NIP ROLLER, LOWER, DOCUSEAL 1200	1
13	1700490	ROLLER HOOK, (RH) REAR, (LH) FRONT	2
14	1700481	GEAR, LOWER, DOCUSEAL 1200	2
15	1700484	SPRING, ROLLER TENSION, FRONT	2

8.0 PARTS
FIGURE 8.3

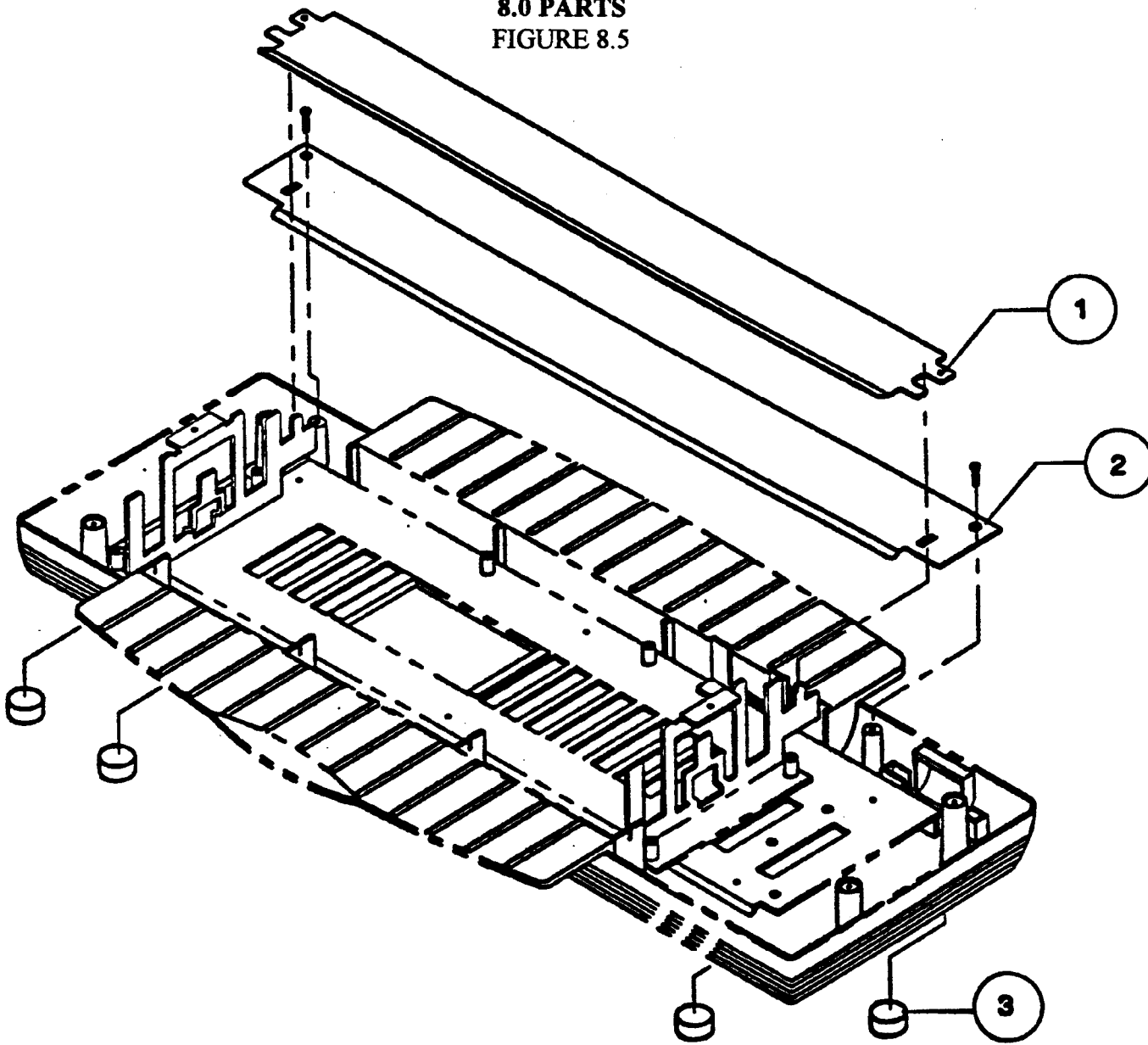


8.0 PARTS
FIGURE 8.4



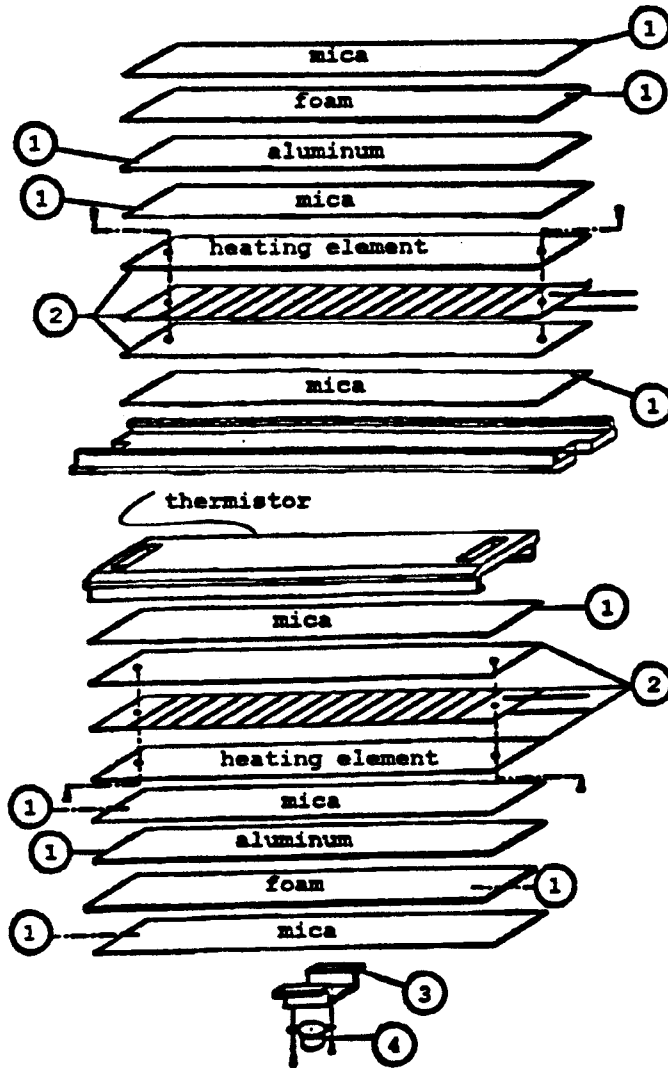
ITEM NO.	PART NO.	DESCRIPTION	QTY.
1	1700417	TRANS FORMER,115V	1
1	1700427	TRANS FORMER 230V	1
2	1700676	BASE ASS'Y DOCUSEAL 1200	1

8.0 PARTS
FIGURE 8.5



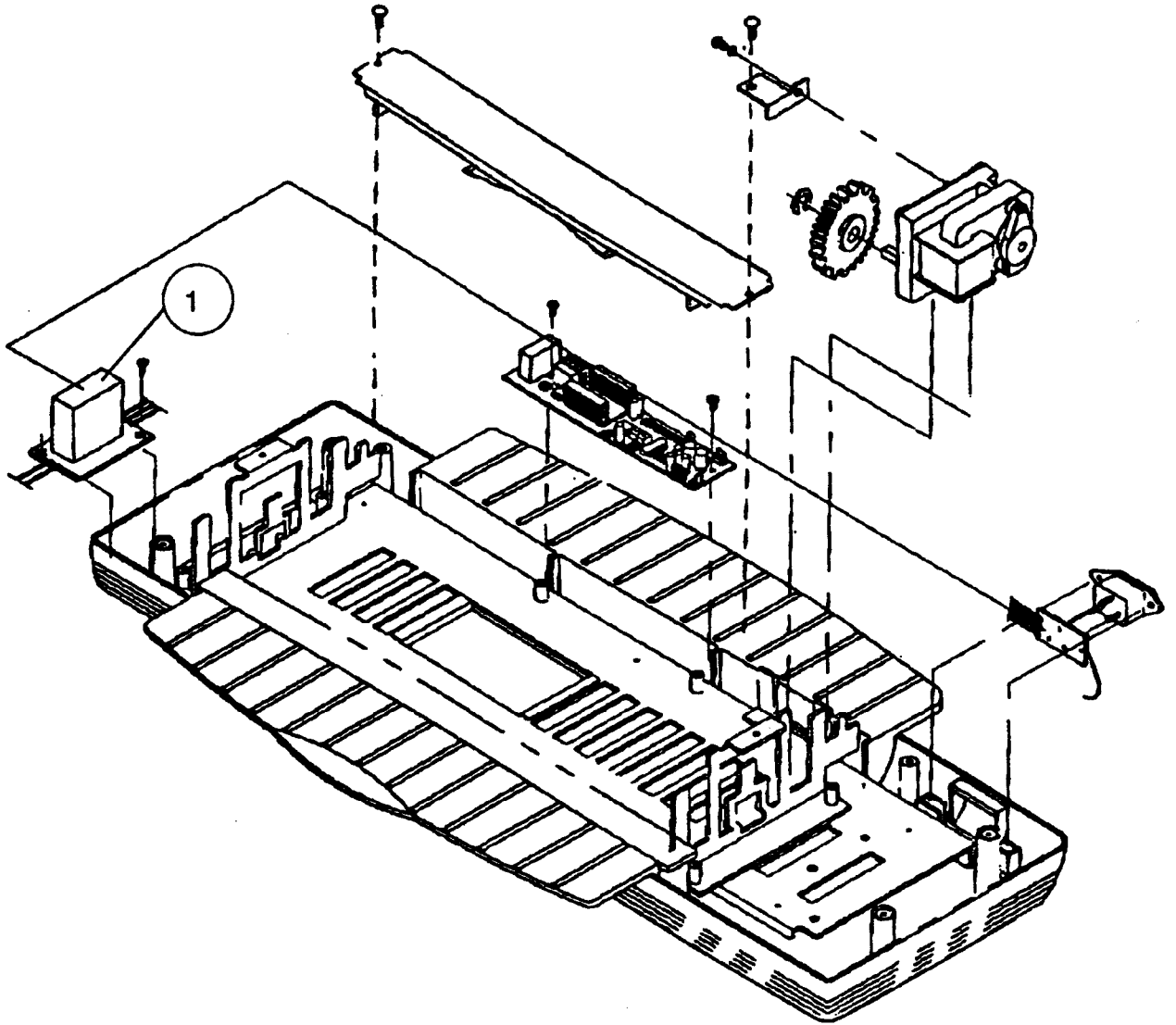
ITEM NO.	PART NO.	DESCRIPTION	QTY.
1	1700670	EXIT PLATE, DOCUSEAL 1200	1
2	1700668	REAR TABLE, DOCUSEAL 1200	1
3	1700682	RUBBER FEET	4

8.0 PARTS
FIGURE 8.6



ITEM NO.	PART NO.	DESCRIPTION	QTY.
1	1700496	INSULATORS, HEATER, DOCUSEAL1200	1
2	1700614	MICA HEATERS 115V,DOCUSEAL 1200	2
2	1700624	MICA HEATERS 230V,DOCUSEAL 1200	2
3	REF.	BRACKET, THERMOSTAT	1
4	1700671	THERMOSTAT, TEMPERATURE LIMITING	1

8.0 PARTS
FIGURE 8.7



ITEM NO.	PART NO.	DESCRIPTION	QTY.
1	1700413	RELAY BOARD 115V	1
1	1700423	RELAY BOARD 230V	1