



# DOC 2500 Parts List

GBC IS AN ACCO BRANDS COMPANY



8.0 PARTS

DOCUSEAL 2500

FIGURE 8.1 ROLLERS / HEAT SHOES

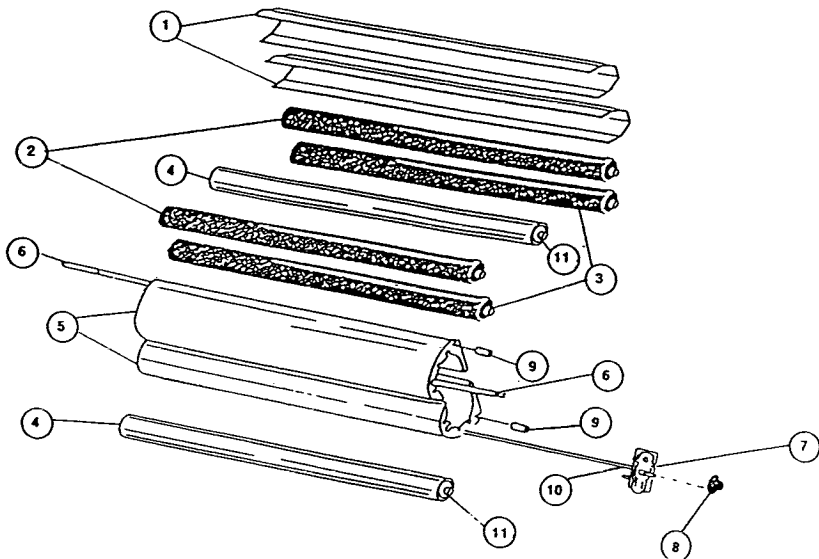


FIGURE 8.1

ITEM	PART NO.	DESCRIPTION	QUANTITY PER MODEL
1	1700022	ROLLER SHIELD .....	2
2	1700036	ROLLER, TOP (CROWNED) .....	2
3	1700037	ROLLER, BOTTOM .....	2
4	1700038	ROLLER, IDLE SHAFT .....	2
5	1700021	HEAT SHOE .....	2
6	1700047	HEATER, TUBULAR .....	4
7	6199008	THERMOSTAT .....	1
8	REF	TEMPERATURE ADJUSTMENT KNOB .....	1
9	1700026	HEAT SHOE SPACER .....	8
10	1700010	TUBE, THERMOSTAT .....	1
11	6173006	BUSHING, IDLE ROLLER .....	4

8.0 PARTS

FIGURE 8.2 BOTTOM VIEW

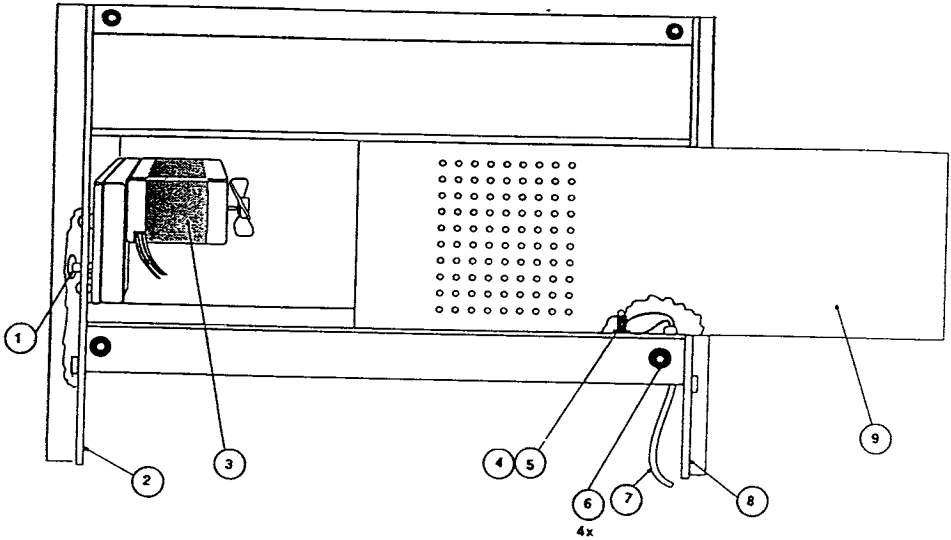


FIGURE 8.2

ITEM	PART NO.	DESCRIPTION	QUANTITY PER MODEL
1	1700015	SPROCKET, MOTOR GEAR .....	1
2	1700012	SIDE PLATE, LEFT .....	1
3	6208051	MOTOR .....	1
4	1700041	FUSEHOLDER ASSY .....	1
5	1700042	FUSE, 12 AMP .....	1
6	6176014	FEET, RUBBER .....	4
7	1700040	POWER CORD .....	1
8	1700013	SIDE PLATE, RIGHT .....	1
9	REF	MOTOR COVER PLATE .....	1

8.0 PARTS

FIGURE 8.5 RIGHT SIDE VIEW

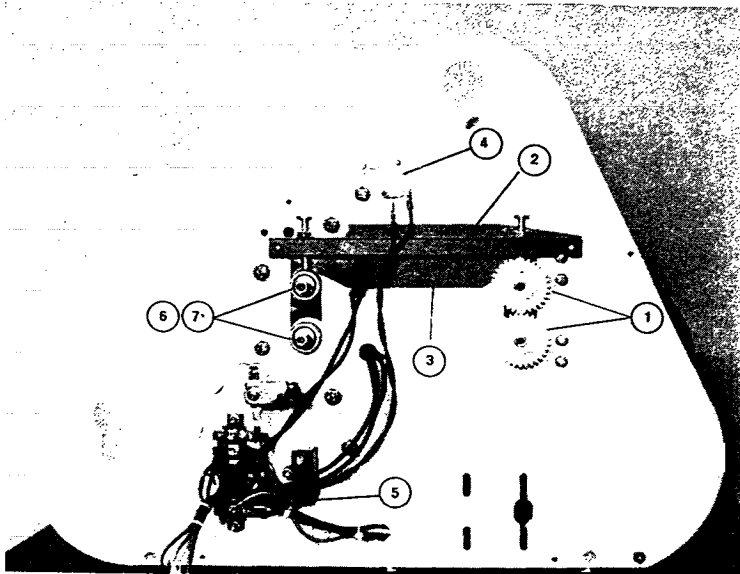


FIGURE 8.5

ITEM	PART NO.	DESCRIPTION	QUANTITY PER MODEL
1	1700024	GEAR, SPUR .....	2
2	1700051	TENSION BAR .....	2
3	1700050	HOLE GUARD .....	2
4	1700054	SWITCH, INTERLOCK .....	1
5	1700036	CAPACITOR, 7.5MF 120V .....	1
6	1700014	ROLLER BUSHING .....	8
7	1700055	SPACER WASHER .....	8

B10  
8.0 PARTS  
FIGURE 8.3 FRONT VIEW

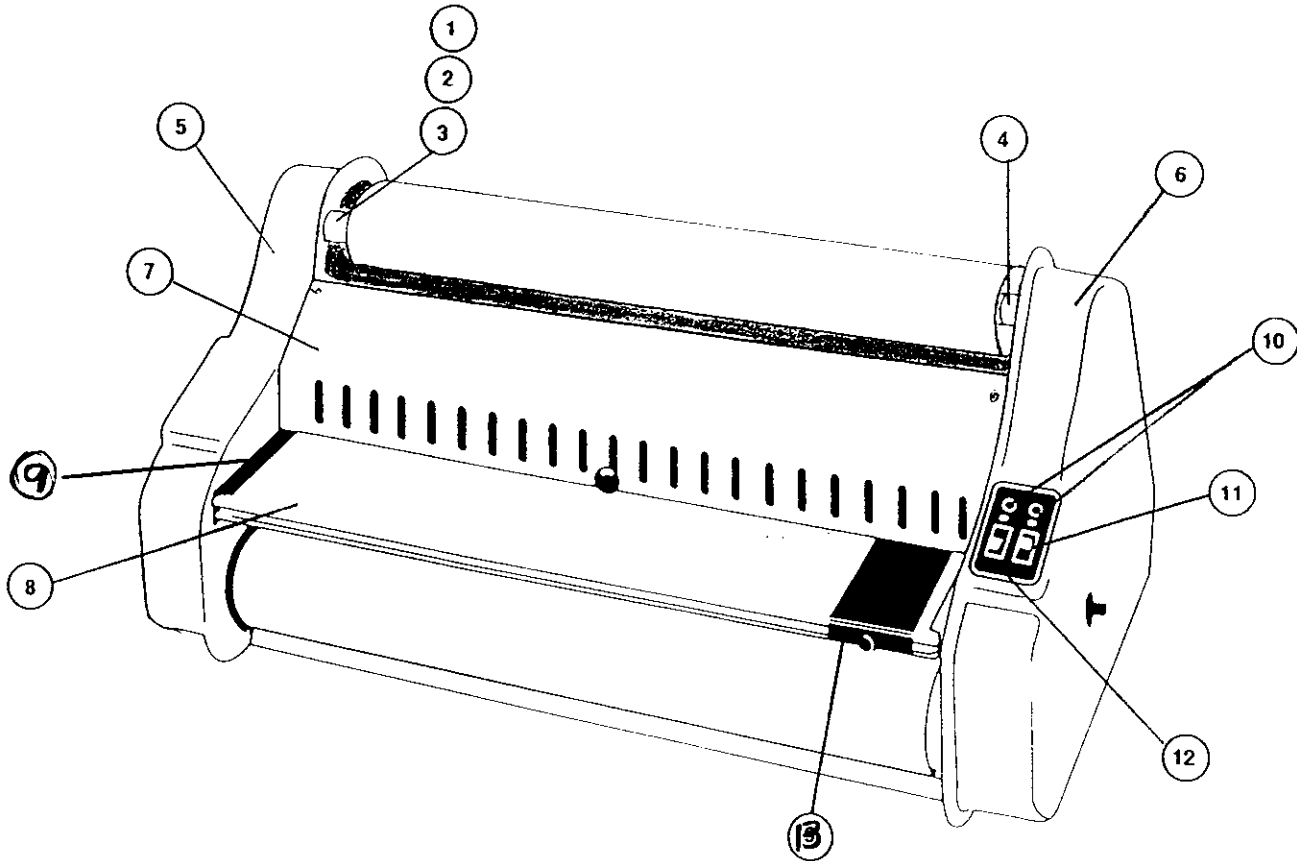


FIGURE 8.3

ITEM	PART NO.	DESCRIPTION	QUANTITY PER MODEL
1	1700019	SUPPLY MANDREL .....	2
2	1700033	BUSHING, MANDREL .....	2
3	1700027	CORE GRIPPERS, MANDREL .....	2
4	1700032	BRAKE, MANDREL .....	2
5	1700028	SIDE COVER, L.H. ....	1
6	1700029	SIDE COVER, R.H. ....	1
7	1700034	SAFETY SHIELD .....	1
8	1700023	FEED TABLE .....	1
9	1700020	FEED TABLE SLIDE .....	1
10	1700043	LIGHT INDICATOR .....	2
11	1700044	SWITCH, ON/OFF .....	1
12	1700045	SWITCH FWD/OFF/REV .....	1
13	1700011	R.H. Feed Table Guide	1

FIGURE 8.4 LEFT SIDE VIEW

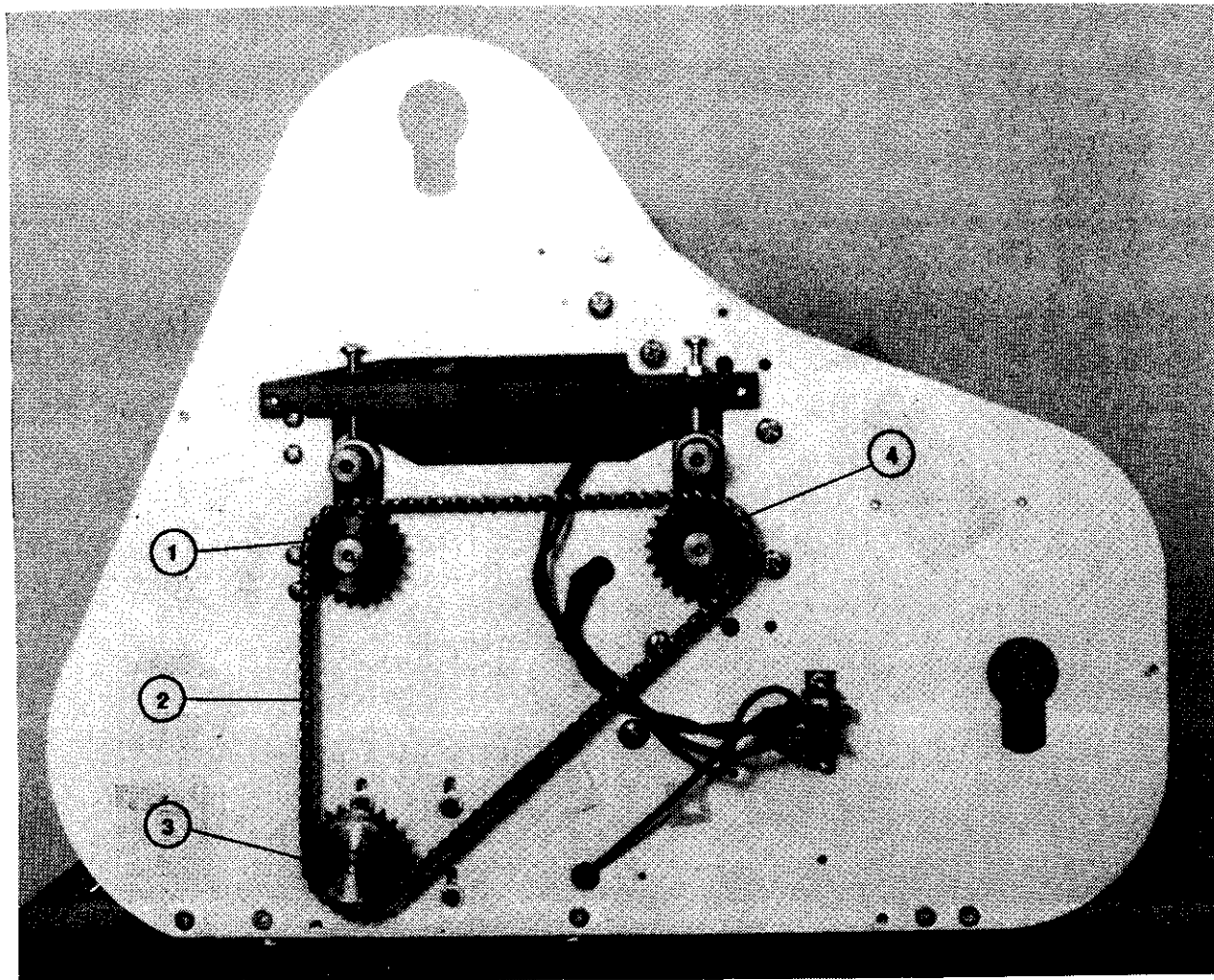


FIGURE 8.4

ITEM	PART NO.	DESCRIPTION	QUANTITY PER MODEL
3	1700017	SPROCKET, ROLLER, FRONT 22 TTH .....	1
1	1700018	SPROCKET, ROLLER, REAR 21 TTH .....	1
2	<del>1700018</del>	CHAIN, ROLLER DRIVE .1700018 .....	1
4	1700015	SPROCKET, MOTOR GEAR .....	1

Adjust mtr height to align chain

