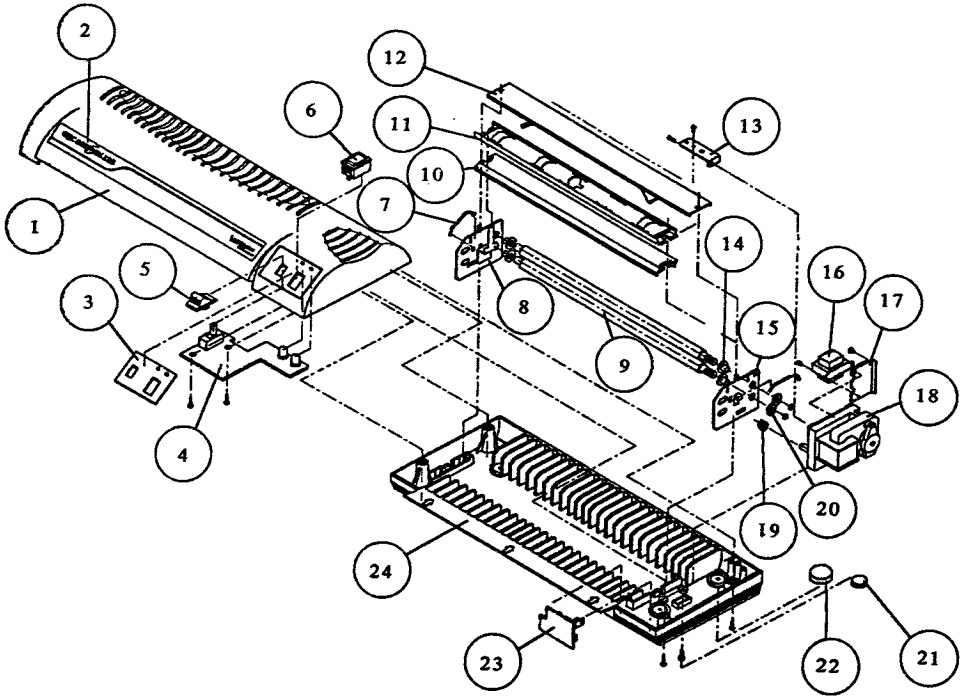


DOCUSEAL 125

PARTS LIST



DS125

ITEM	GBC P/N	DESCRIPTION	QTY.
1	1700718	UPPER HOUSING	1
2	1700719	DS125 LABEL	1
3	1700726	SWITCH LABEL	1
4	1700727	LED PCB ASS'Y	1
5	1700728	SLIDE KNOB	1
6	1700729	POWER SWITCH	1
7	1700705	SPRING	2
8	1700754	SIDE PLATE , LEFT	1
9	1700755	ROLLER	2
10	1700756	HEATER ASS'Y LOWER	1
11	1700757	HEATER ASS'Y, UPPER	1
12	1700758	SPRING PLATE	1
13	1700737	BRACKET SUPPORT	1
14	1700738	BEARING	4
15	1700713	SIDE PLATE, RIGHT	1
16	1700739	TRANSFORMER 120V/60Hz	1
16	1700742	TRANSFORMER 230V/50Hz	1
17	1700743	MOTOR BRACKET S 95)	1
18	1700744	GEAR MOTOR (120V)	1
18	1700745	GEAR MOTOR (230V)	1
19	1700706	14T*6 SPUR GEAR	1
20	1700746	21T*8 SPUR GEAR	3
21	1700716	SCREW CAP	2
22	1700715	RUBBER FOOT	4
23	1700747	MAIN PCB120V	1
23	1700748	MAIN PCB 230V	1
24	1700753	BASE	1