



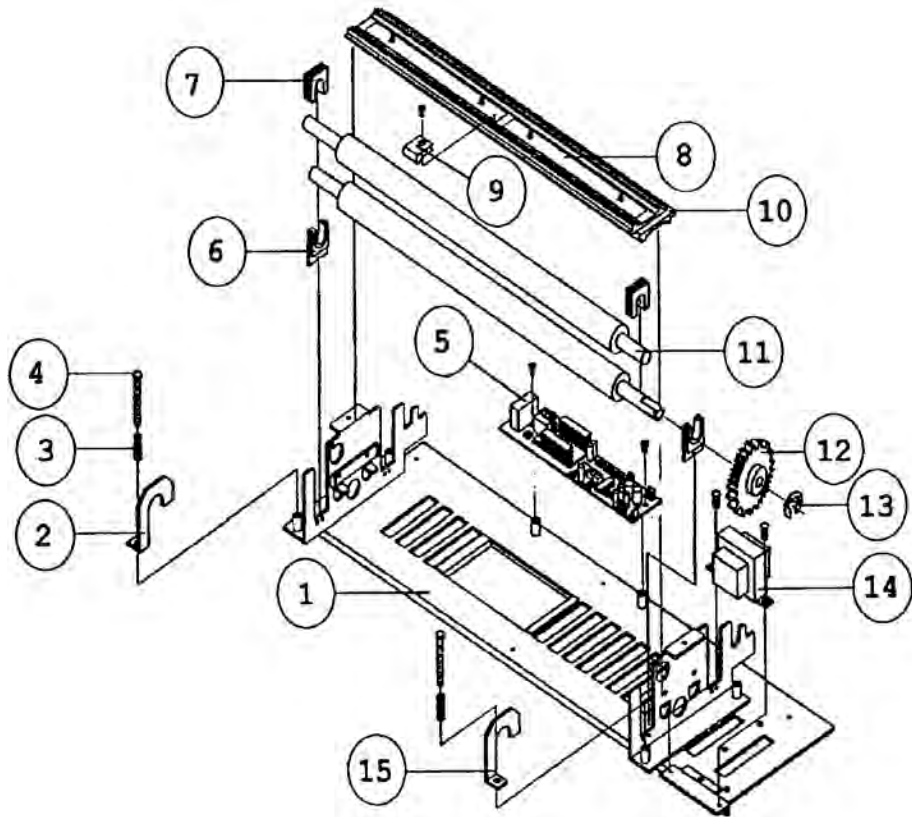
# **DOCUSEAL 1200 w/Ceramic Heaters Parts List**



**GBC IS AN ACCO BRANDS COMPANY**

**DOCUSEAL 1200 WITH CERAMIC HEATERS**  
**PARTS LIST**

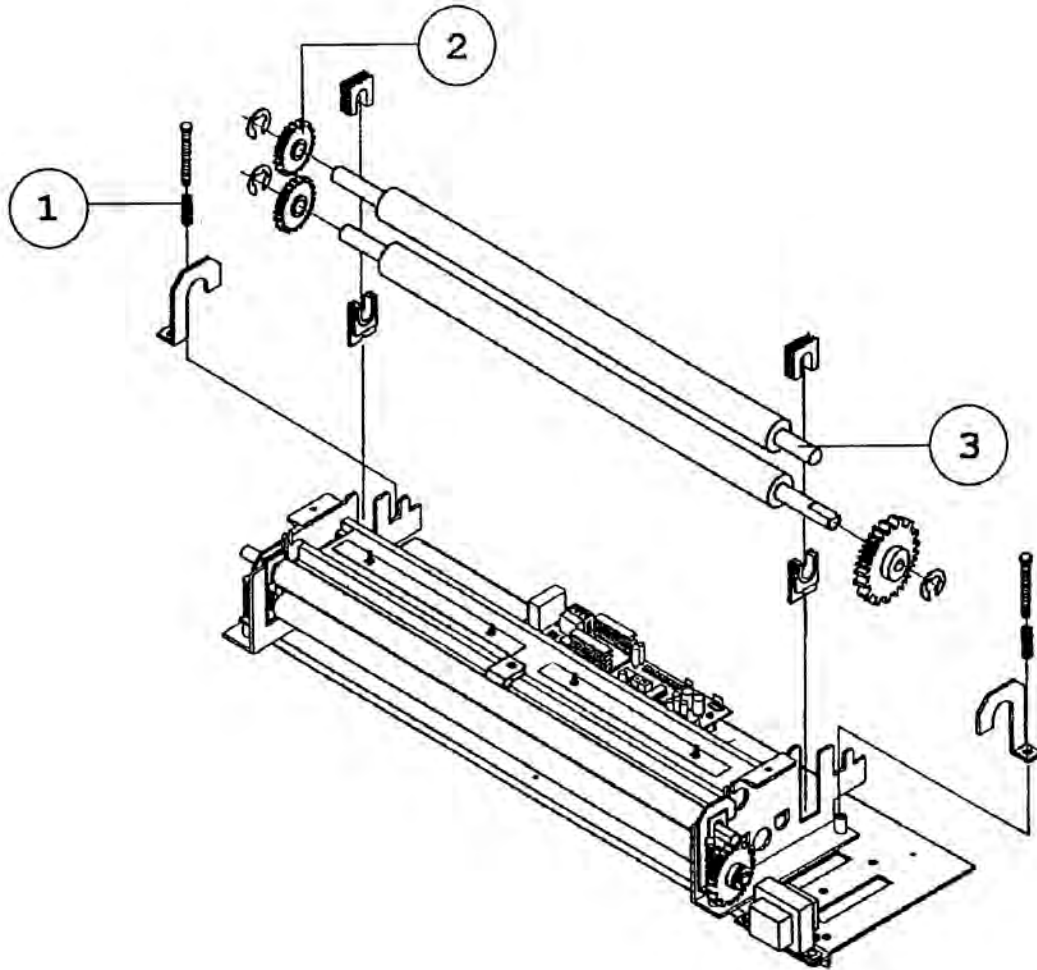
8.0 PARTS  
FIGURE 8.1



**8.0 PARTS**  
**FIGURE 8.1**

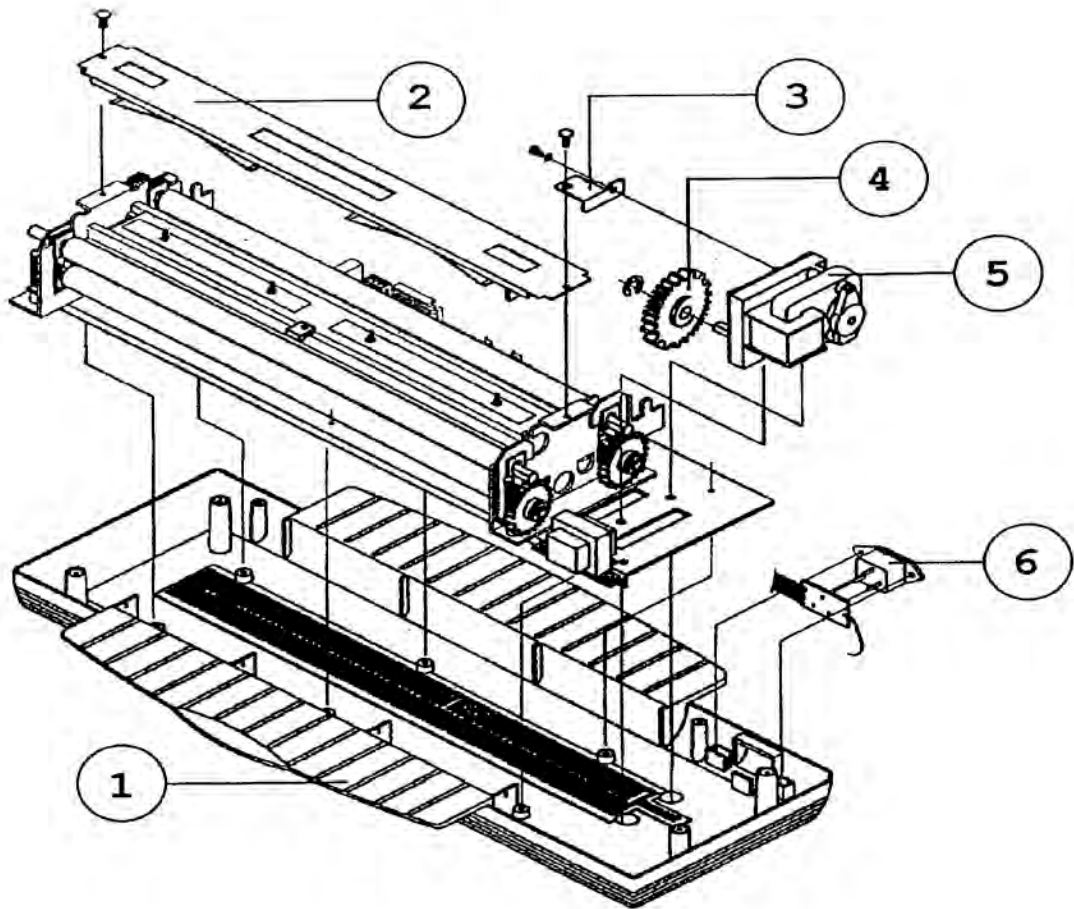
| <b>ITEM NO.</b> | <b>PART NO.</b> | <b>DESCRIPTION</b>                     | <b>QTY.</b> |
|-----------------|-----------------|--|-------------|
| 1               | 601130911       | Bottom Plate                           | 1           |
| 2               | 06011204        | Left Roller Support (GMP p/n 6011204)  | 1           |
| 3               | 701090101       | Roller Spring (front)                  | 2           |
| 4               | 701108122       | Shoulder Screw                         | 4           |
| 5               | 706010309       | Main PCB Ass'y                         | 1           |
| 6               | 703020412       | Plastic Roller Bushing (upper)         | 4           |
| 7               | 703020411       | Plastic Roller Bushing (lower)         | 4           |
| 8               | 706020669       | Ceramic Heater Ass'y (upper)           | 1           |
| 9 *             | 704160269       | TCO (Top & Bottom) ( 6 Leads)          | 1           |
| 10              | 706020679       | Ceramic Heater Ass'y (lower)           | 1           |
| 11              | 607011003       | Front Roller                           | 2           |
| 12              | 703020121       | Plastic Spur Gear                      | 2           |
| 13              | 701090605       | E-Ring                                 | 5           |
| 14              | 610010109       | Transformer, 120v                      | 1           |
| 14              | 610010110       | Transformer, 230v                      | 1           |
| 15              | 06011205        | Right Roller Support (GMP p/n 6011205) | 1           |
| *               | 638001013       | TCO 26" Leads New Style                |             |

8.0 PARTS  
FIGURE 8.2



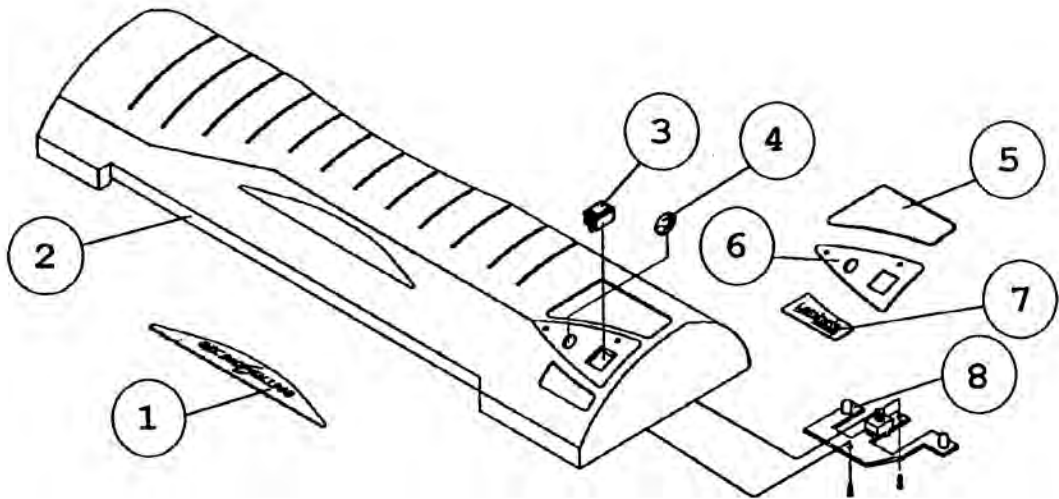
| ITEM NO. | PART NO.  | DESCRIPTION          | QTY. |
|----------|-----------|----------------------|------|
| 1        | 701090102 | Roller Spring (rear) | 2    |
| 2        | 703020102 | Plastic Spur Gear    | 2    |
| 3        | 607011014 | Rear Roller          | 2    |

8.0 PARTS  
FIGURE 8.3



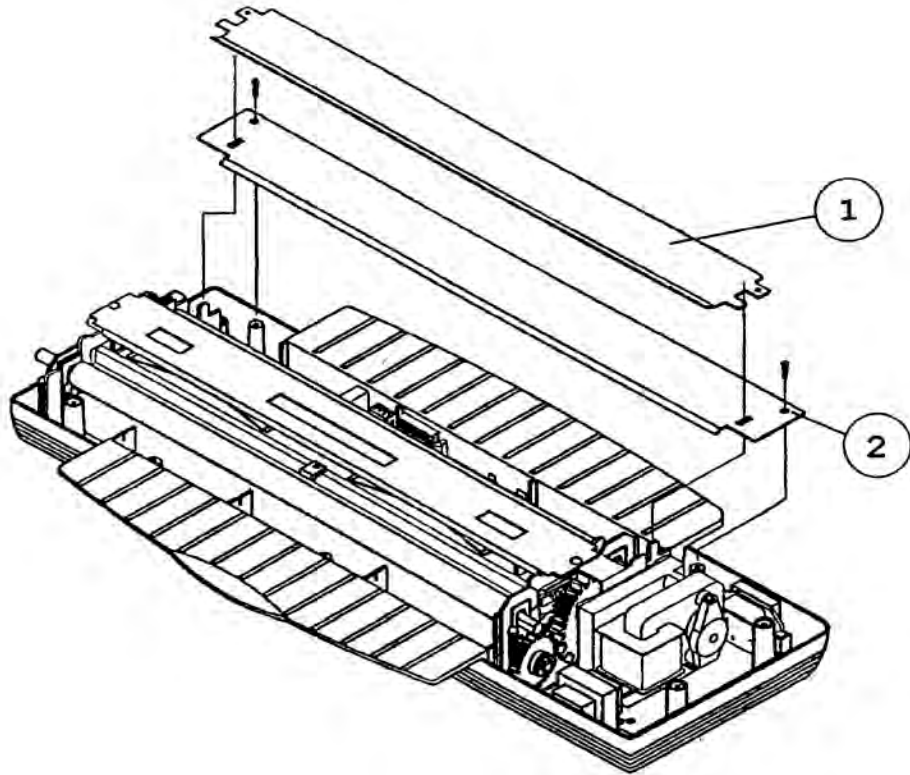
| ITEM NO. | PART NO.  | DESCRIPTION                     | QTY. |
|----------|-----------|---------------------------------|------|
| 1        | 604020209 | Lower Housing                   | 1    |
| 2        | 601130923 | Heat Insulator                  | 1    |
| 3        | 06011209  | Motor Support (GMP p/n 6011209) | 1    |
| 4        | 703020131 | Plastic Spur Gear               | 1    |
| 5        | 609010115 | AC Geared Motor, 120v           | 1    |
| 5        | 609010111 | AC Geared Motor,230v            | 1    |
| 6        | 07060508  | Inlet Ass'y (GMP p/n 7060508)   | 1    |

**8.0 PARTS**  
**FIGURE 8.4**



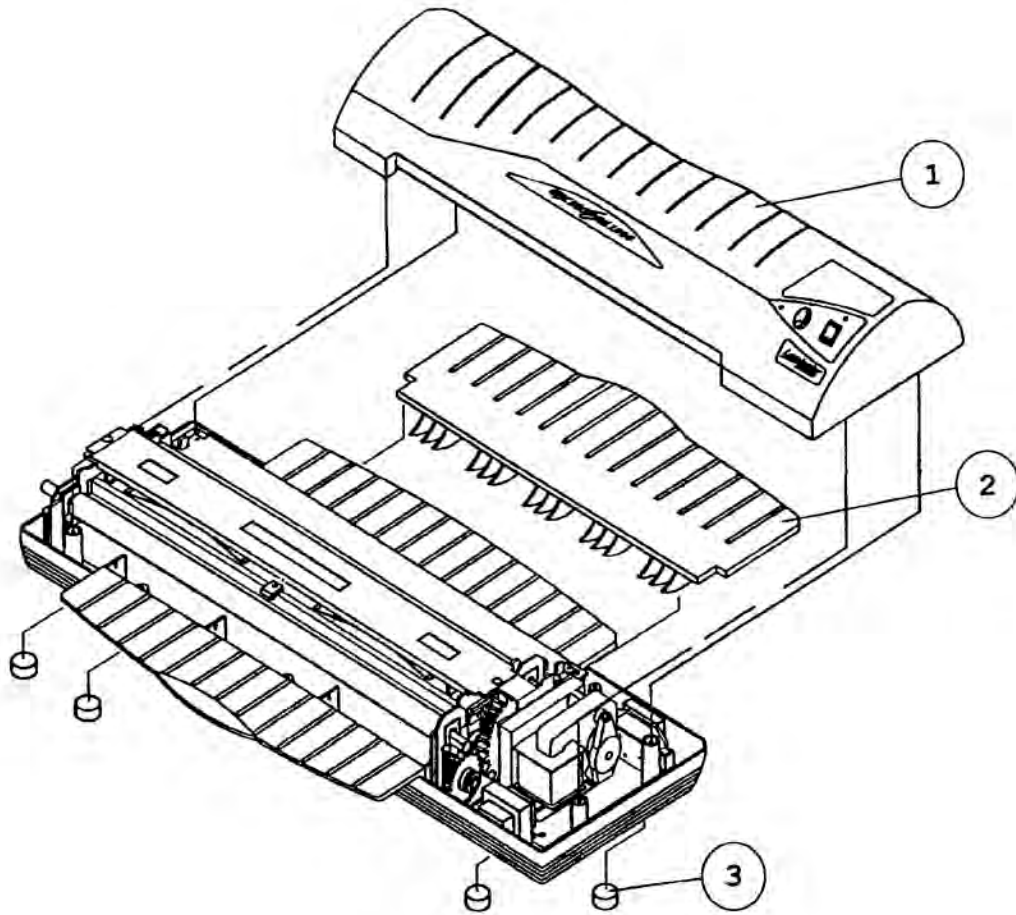
| ITEM NO. | PART NO.  | DESCRIPTION                         | QTY. |
|----------|-----------|-------------------------------------|------|
| 1        | 802040315 | DS 1200 Nameplate, 120v             | 1    |
| 1        | 802040308 | GBC 1200 Nameplate, 230v            | 1    |
| 2        | 604020208 | Upper Housing                       | 1    |
| 3        | 07060505  | Switch Ass'y (GMP p/n 7060505)      | 1    |
| 4        | 703021006 | Plastic Knob                        | 1    |
| 5        | 802202201 | Temperature Scale Sticker, 120v     | 1    |
| 5        | 802202202 | Temperature Scale Sticker, 230v     | 1    |
| 6        | 08021048  | Switch Sticker (GMP p/n 8021048)    | 1    |
| 7        | 803040309 | GBC Laminator Sticker               | 1    |
| 8        | 07060509  | Control PCB Ass'y (GMP p/n 7060509) | 1    |

8.0 PARTS  
FIGURE 8.5



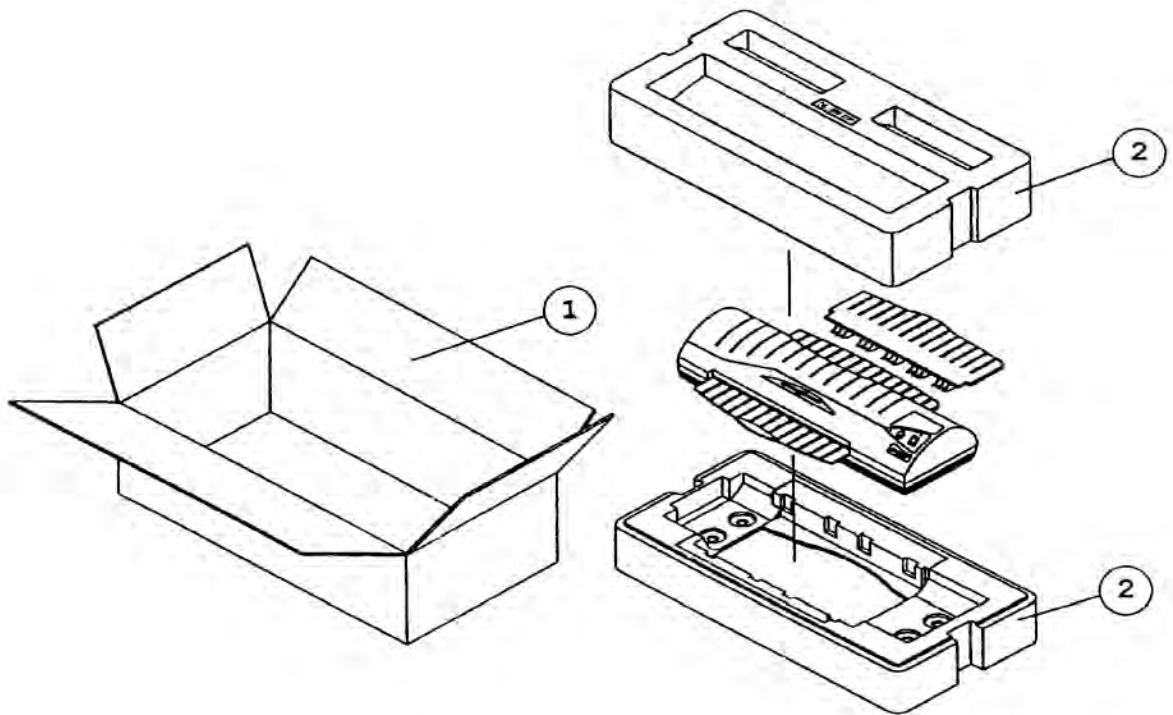
| ITEM NO. | PART NO. | DESCRIPTION                                 | QTY. |
|----------|----------|---|------|
| 1        | 06011222 | Exit Plate, Docuseal 1200 (GMP p/n 6011222) | 1    |
| 2        | 06011221 | Rear Table, Docuseal 1200 (GMP p/n 6011221) | 1    |

**8.0 PARTS**  
**FIGURE 8.6**



| ITEM NO. | PART NO.  | DESCRIPTION    | QTY. |
|----------|-----------|----------------|------|
| 1        | 604020208 | Upper Housing  | 1    |
| 2        | 604020210 | Extension Tray | 1    |
| 3        | 703010108 | Rubber Foot    | 4    |

**8.0 PARTS**  
**FIGURE 8.7**



| ITEM NO. | PART NO.  | DESCRIPTION                | QTY. |
|----------|-----------|----------------------------|------|
| 1        | 801010627 | Carton, DS 1200, 120v      | 1    |
| 1        | 801010633 | Carton, GBC 1200, 230v     | 1    |
| 2        | 801041913 | Styrofoam Inserts, DS 1200 | 1    |