



# DOCUSEAL 1200

## Parts List

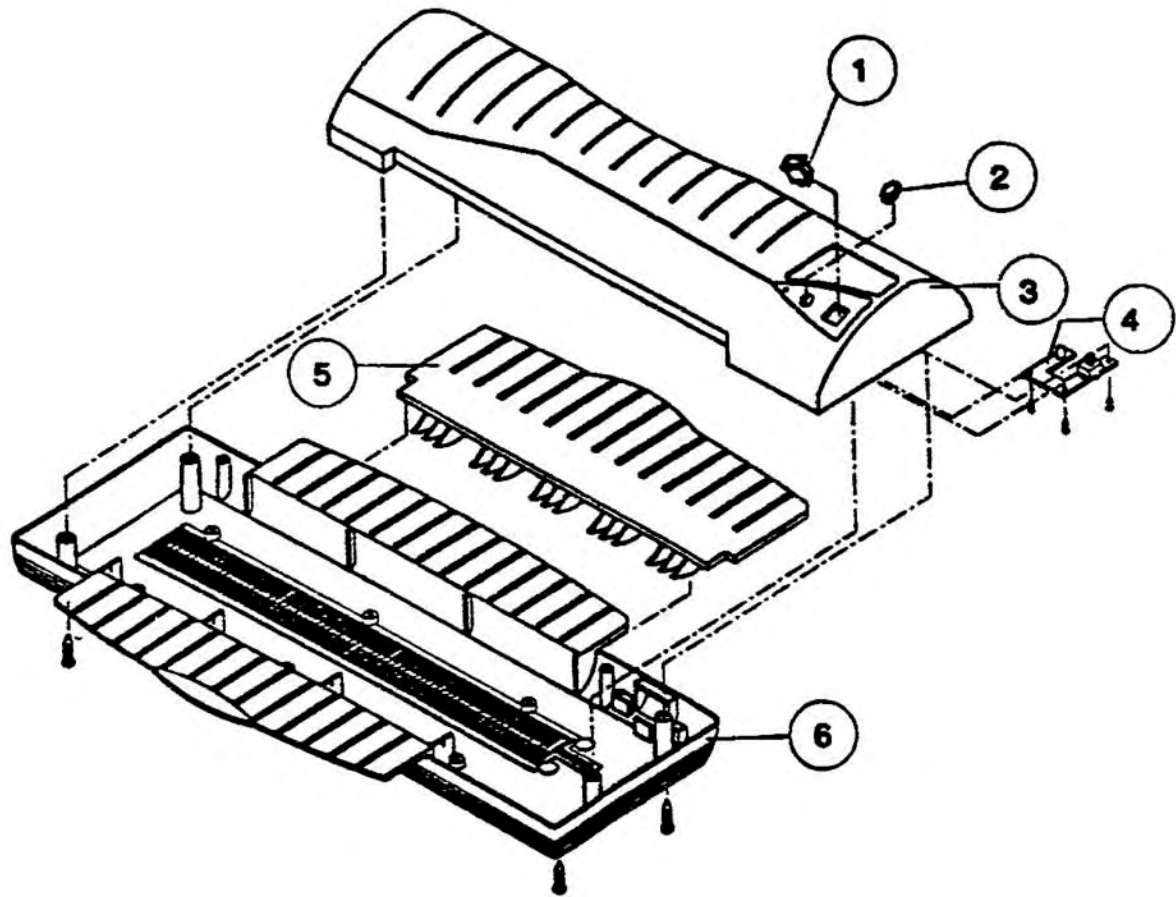


GBC IS AN ACCO BRANDS COMPANY

# DOCUSEAL 1200 PARTS LIST

# 8.0 PARTS

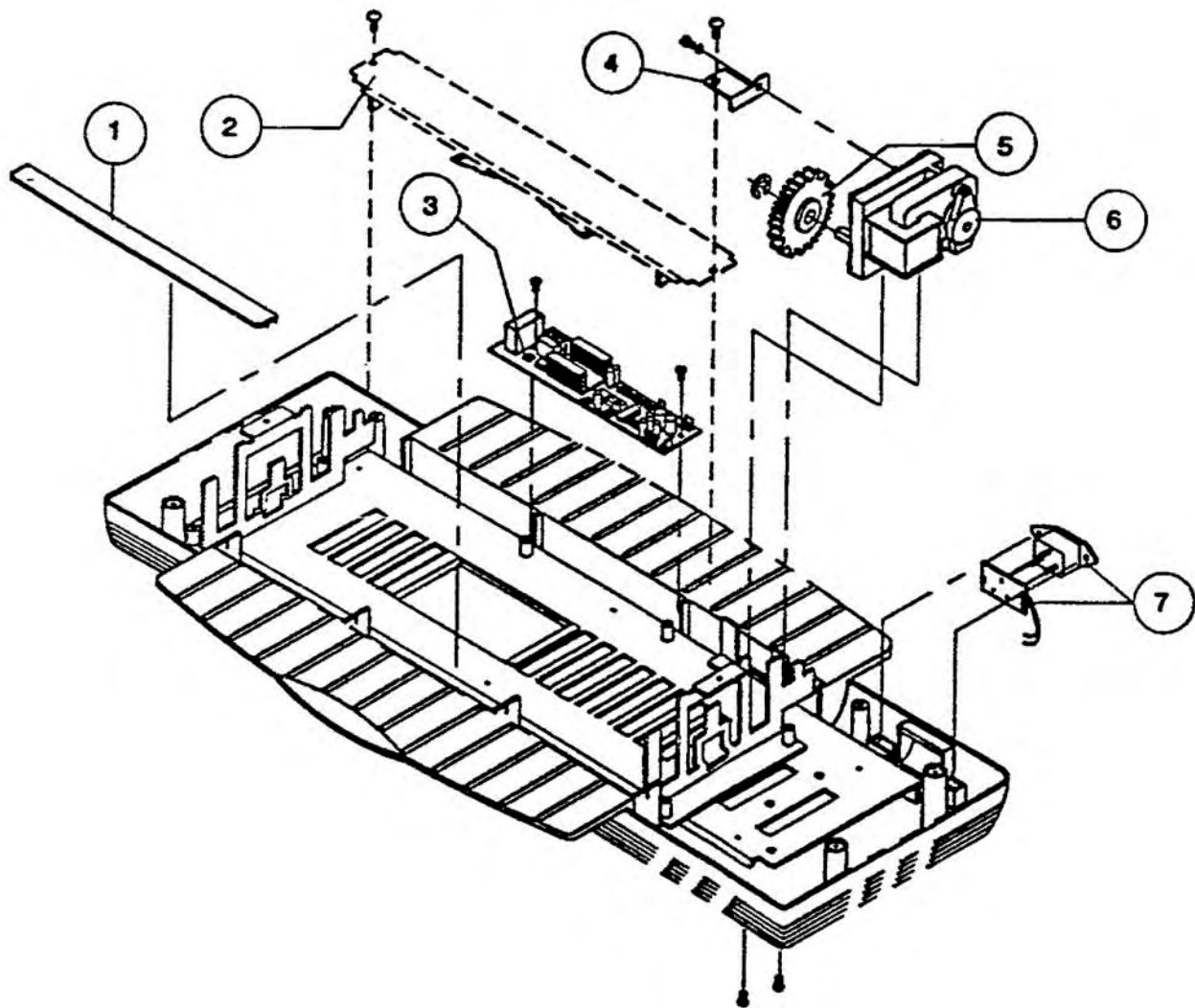
## Figure 8.1



ITEM NO.	PART NO.	DESCRIPTION	QTY.
1	1700677	ROCKER SWITCH, POWER, 115V	1
1	1700678	ROCKER SWITCH, POWER, 230V	1
2	1700679	KNOB,HEAT ADJUSTMENT	1
3	1700468	OUTER HOUSING, UPPER, DOCUSEAL 1200	1
4	1700418	PC BOARD, CONTROL, 115V/230V	1
5	1700469	EXTENSION TRAY, DOCUSEAL 1200 ONLY	1
6	1700467	OUTER HOUSING, LOWER, DOCUSEAL 1200	1
	1700649	Power Cord	

# 8.0 PARTS

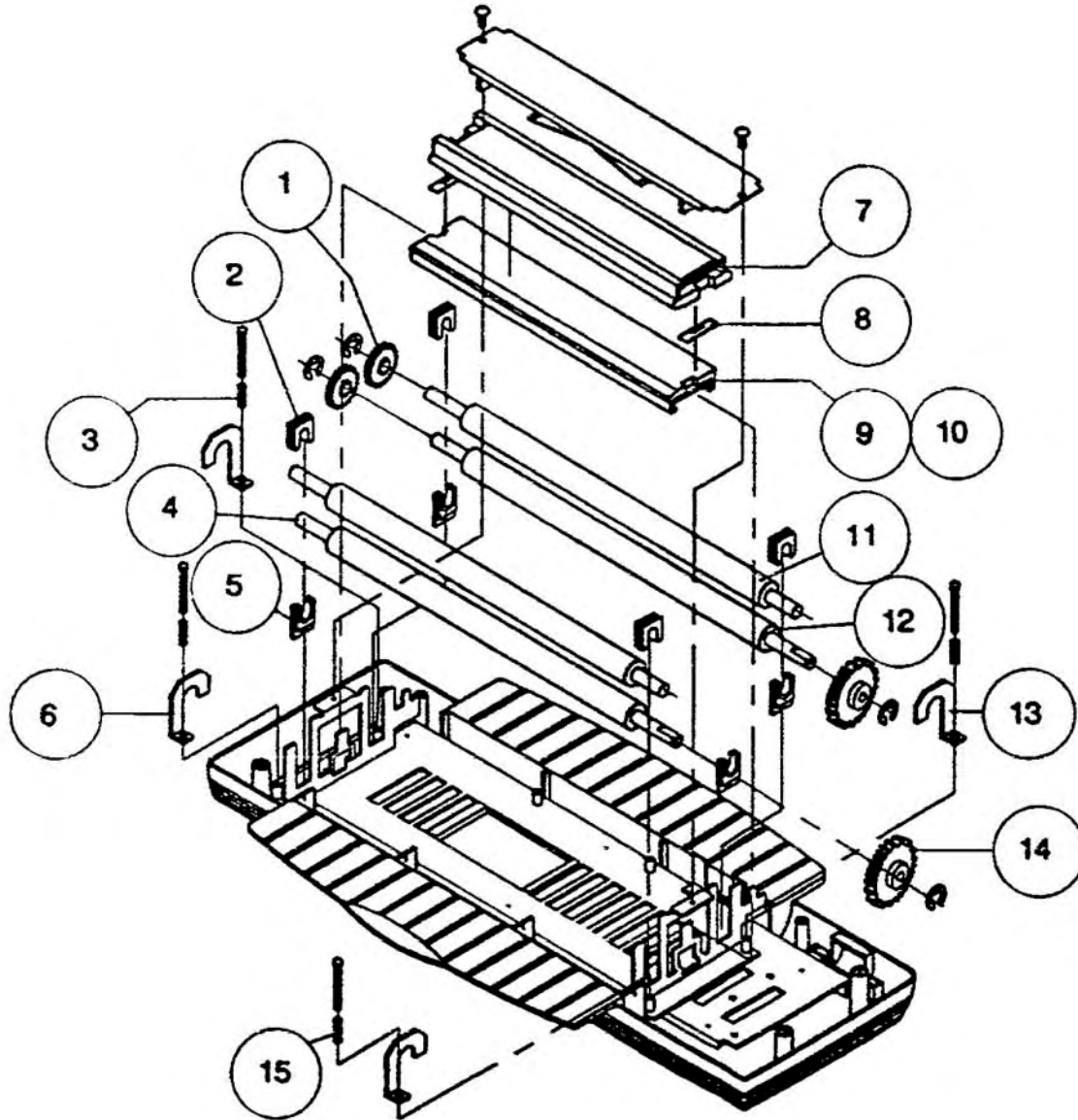
## Figure 8.2



ITEM NO.	PART NO.	DESCRIPTION	QTY.
1	1700681	BRIDGE, FRONT, DOCUSEAL 1200	1
2	1700499	SPRING PLATE, MICA HEATERS, DOCUSEAL 1200	1
3	1700615	PC BOARD, MAIN 115V/230V, DOCUSEAL 1200	1
4	1700666	MOTOR SUPPORT, DOCUSEAL 1200	1
5	1700480	SPUR GEAR LARGE, MOTOR, DOCUSEAL 1200	1
6	1700616	AC GEAR MOTOR 115V DOCUSEAL 1200	1
6	1700626	AC GEAR MOTOR 230V DOCUSEAL 1200	1
7	1700674 (07060508)	INLET SOCKET/ INLET PC BOARD	1

# 8.0 PARTS

## Figure 8.3



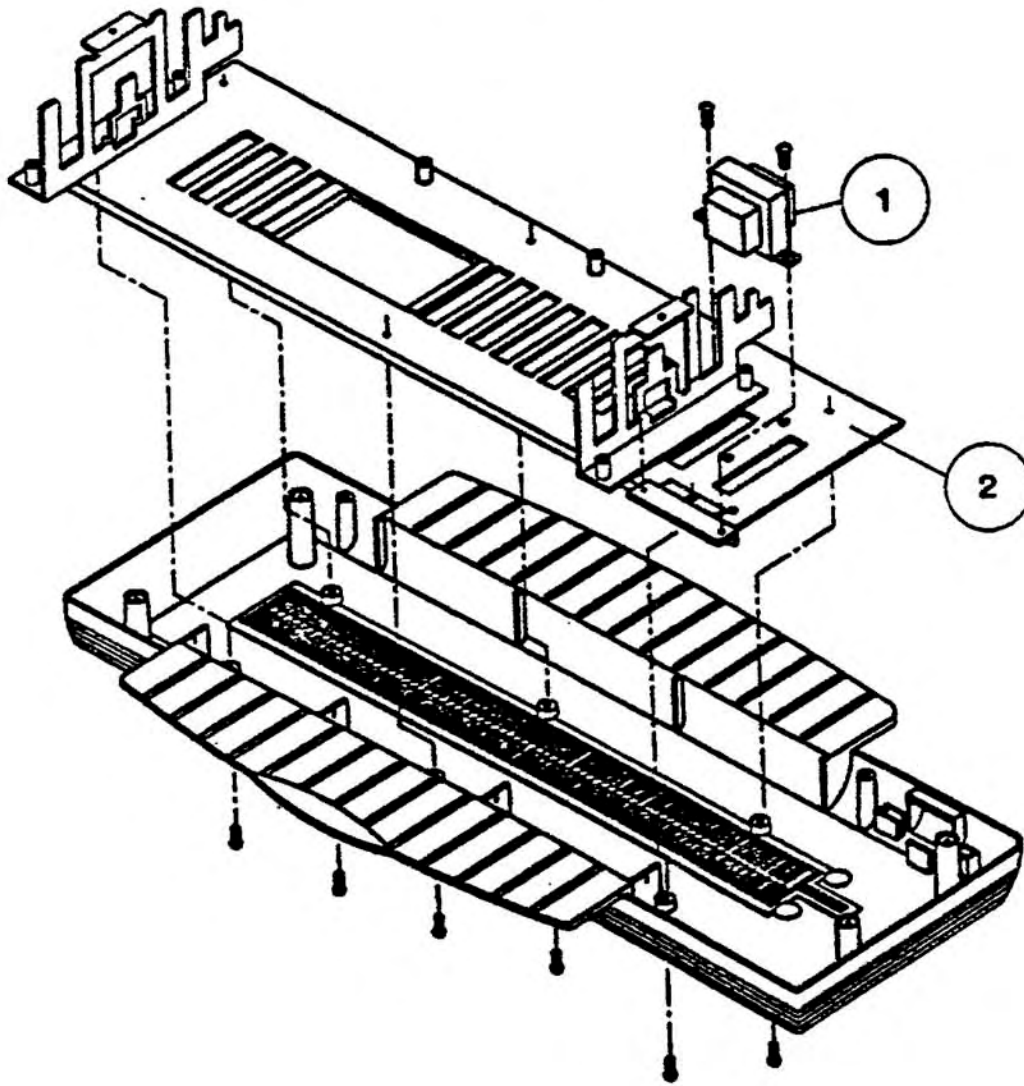
# 8.0 PARTS

## Figure 8.3

ITEM NO.	PART NO.	DESCRIPTION	QTY.
1	1700482	GEAR, ROLLER, REAR, LEFT, DOCUSEAL 1200	2
2	1700487	UPPER ROLLER BUSHING	4
3	1700483	SPRING, ROLLER TENSION, REAR	2
4	1700473	FRONT ROLLER, DOCUSEAL 1200	2
5	1700488	LOWER ROLLER BUSHING	4
6	1700489	ROLLER HOOK, (RH) FRONT, (LH) REAR	2
7	1700492	HEAT PLATEN, UPPER, DOCUSEAL 1200	1
8	1700497	SPACER, HEAT PLATEN	2
9	1700494	HEAT PLATEN, w/THERMOCOUPLE, LOWER, DS 1200	1
10	SEE 8.6	TEMPERATURE LIMITING THERMOSTAT	1
11	1700474	NIP ROLLER, UPPER, DOCUSEAL 1200	1
12	1700475	NIP ROLLER, LOWER, DOCUSEAL 1200	1
13	1700490	ROLLER HOOK, (RH) REAR, (LH) FRONT	2
14	1700481	GEAR, LOWER, DOCUSEAL 1200	2
15	1700484	SPRING, ROLLER TENSION, FRONT	2

# 8.0 PARTS

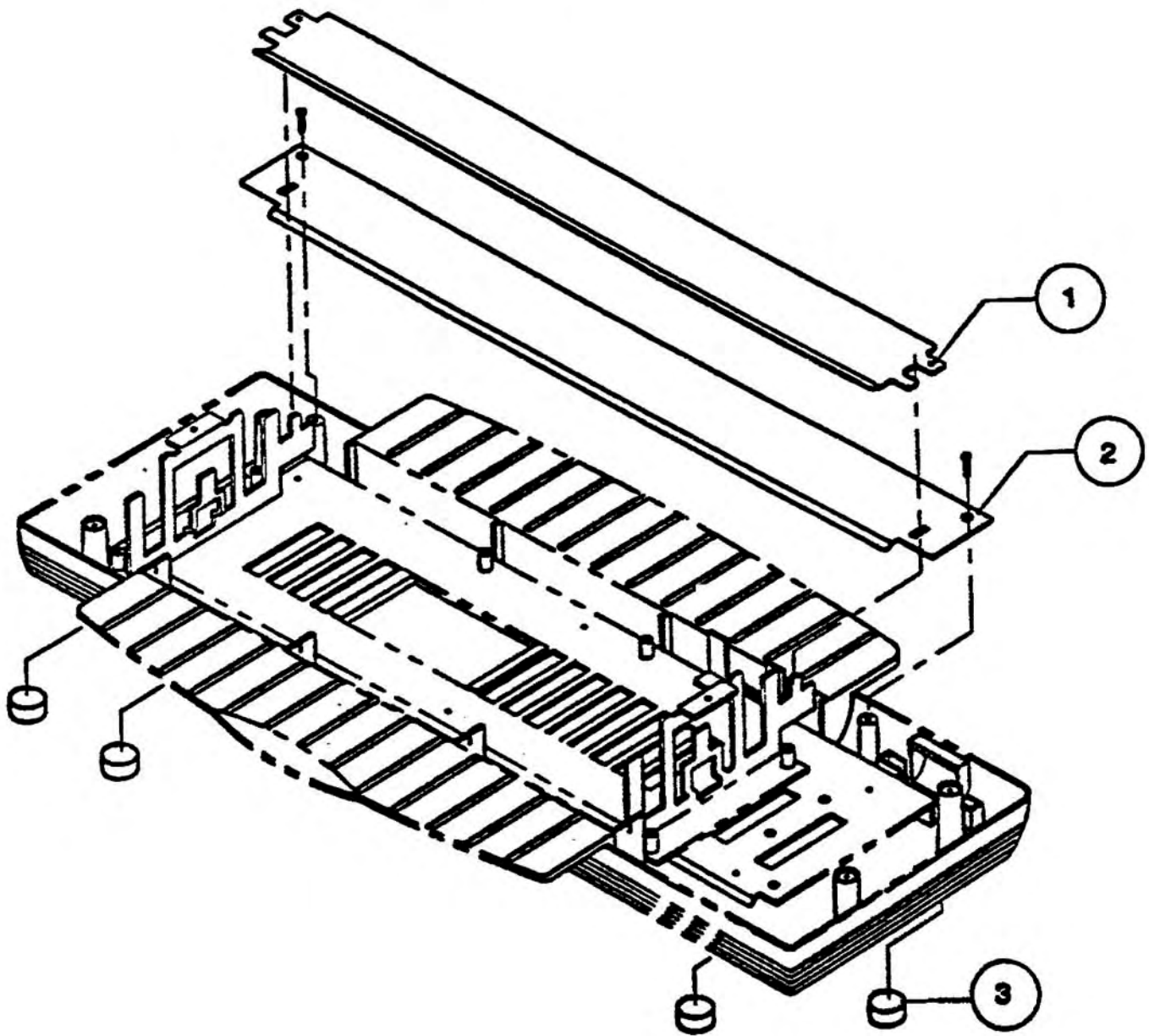
## Figure 8.3



ITEM NO.	PART NO.	DESCRIPTION	QTY.
1	1700417	TRANS FORMER,115V	1
1	1700427	TRANS FORMER 230V	1
2	1700676	BASE ASS'Y DOCUSEAL 1200	1

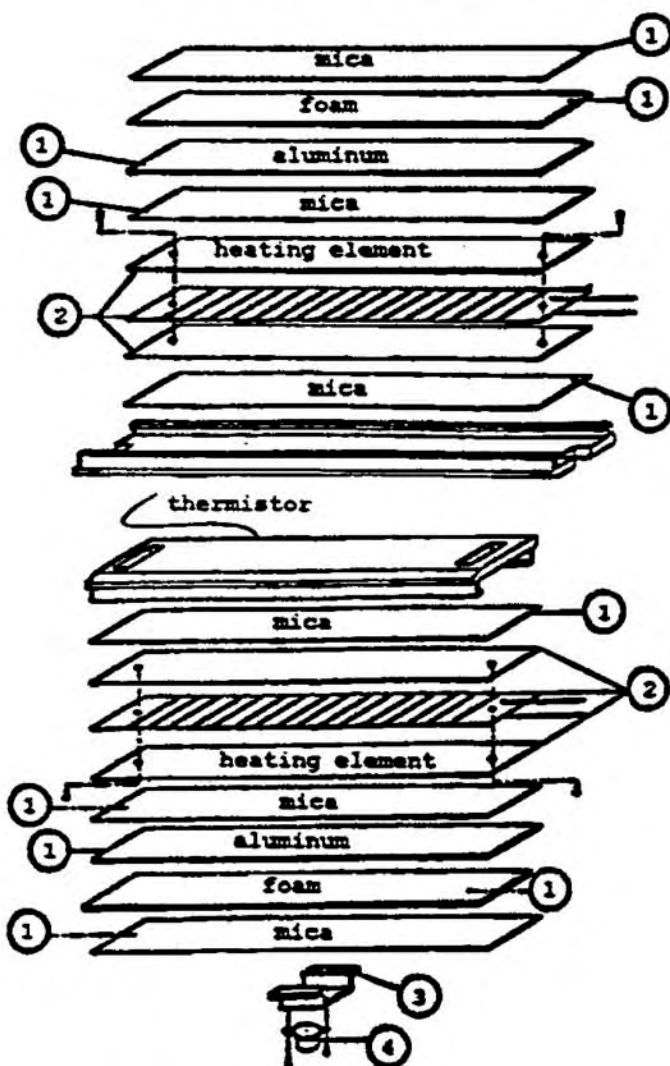
# 8.0 PARTS

## Figure 8.5



ITEM NO.	PART NO.	DESCRIPTION	QTY.
1	1700670	EXIT PLATE, DOCUSEAL 1200	1
2	1700668	REAR TABLE, DOCUSEAL 1200	1
3	1700682	RUBBER FEET	4

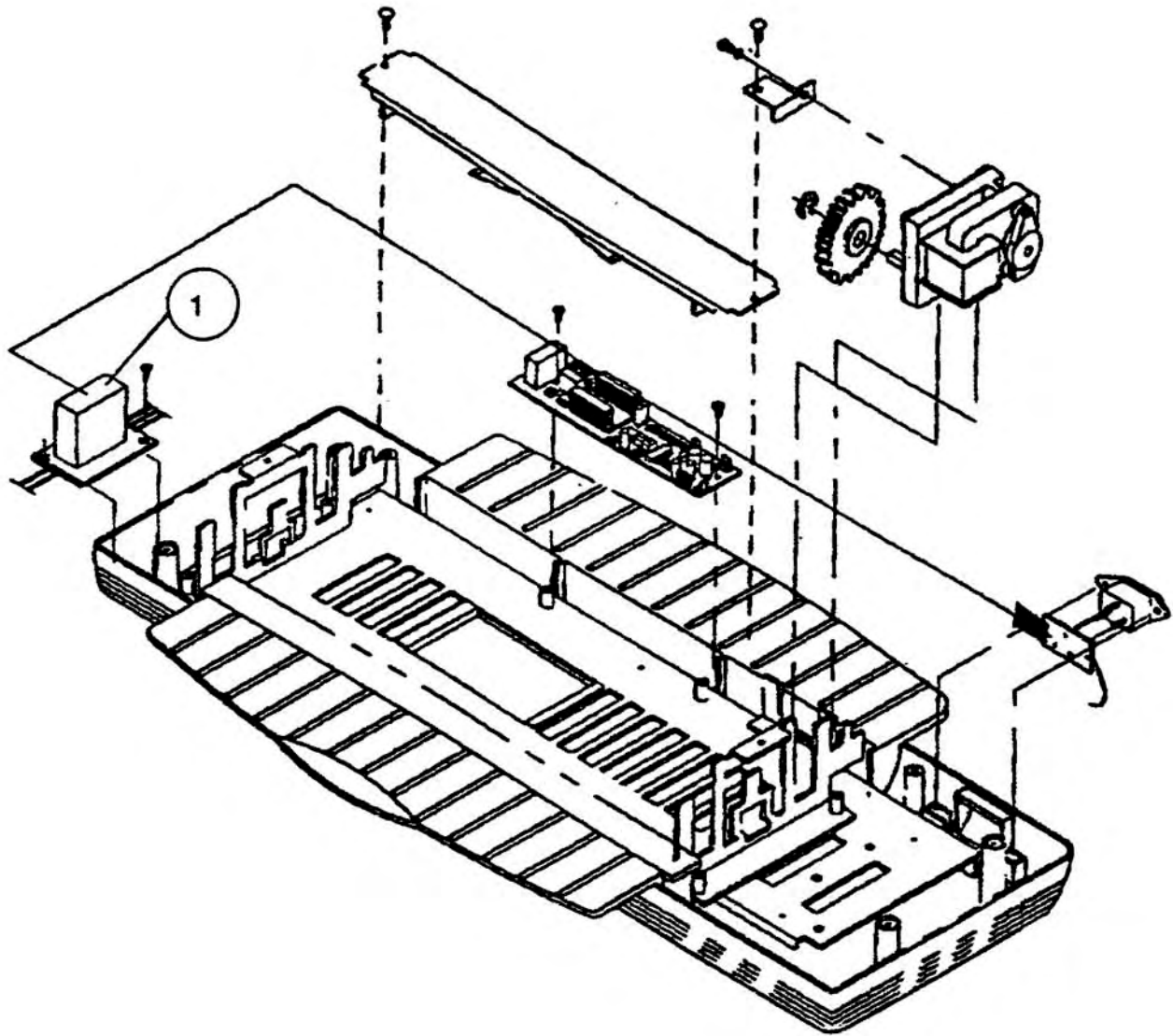
# 8.0 PARTS FIGURE 8.6



ITEM NO.	PART NO.	DESCRIPTION	QTY.
1	1700496	INSULATORS, HEATER, DOCUSEAL1200	1
2	1700614	MICA HEATERS 115V,DOCUSEAL 1200	2
2	1700624	MICA HEATERS 230V,DOCUSEAL 1200	2
3	REF.	BRACKET, THERMOSTAT	1
4	1700671	THERMOSTAT, TEMPERATURE LIMITING	1

# 8.0 PARTS

## FIGURE 8.7



ITEM NO.	PART NO.	DESCRIPTION	QTY.
1	1700413	RELAY BOARD 115V	1
1	1700423	RELAY BOARD 230V	1

**5.0 TROUBLESHOOTING**  
**FIGURE 5.3 SCHEMATIC DIAGRAM**  
**DOCUSEAL 1200 (115V)**

