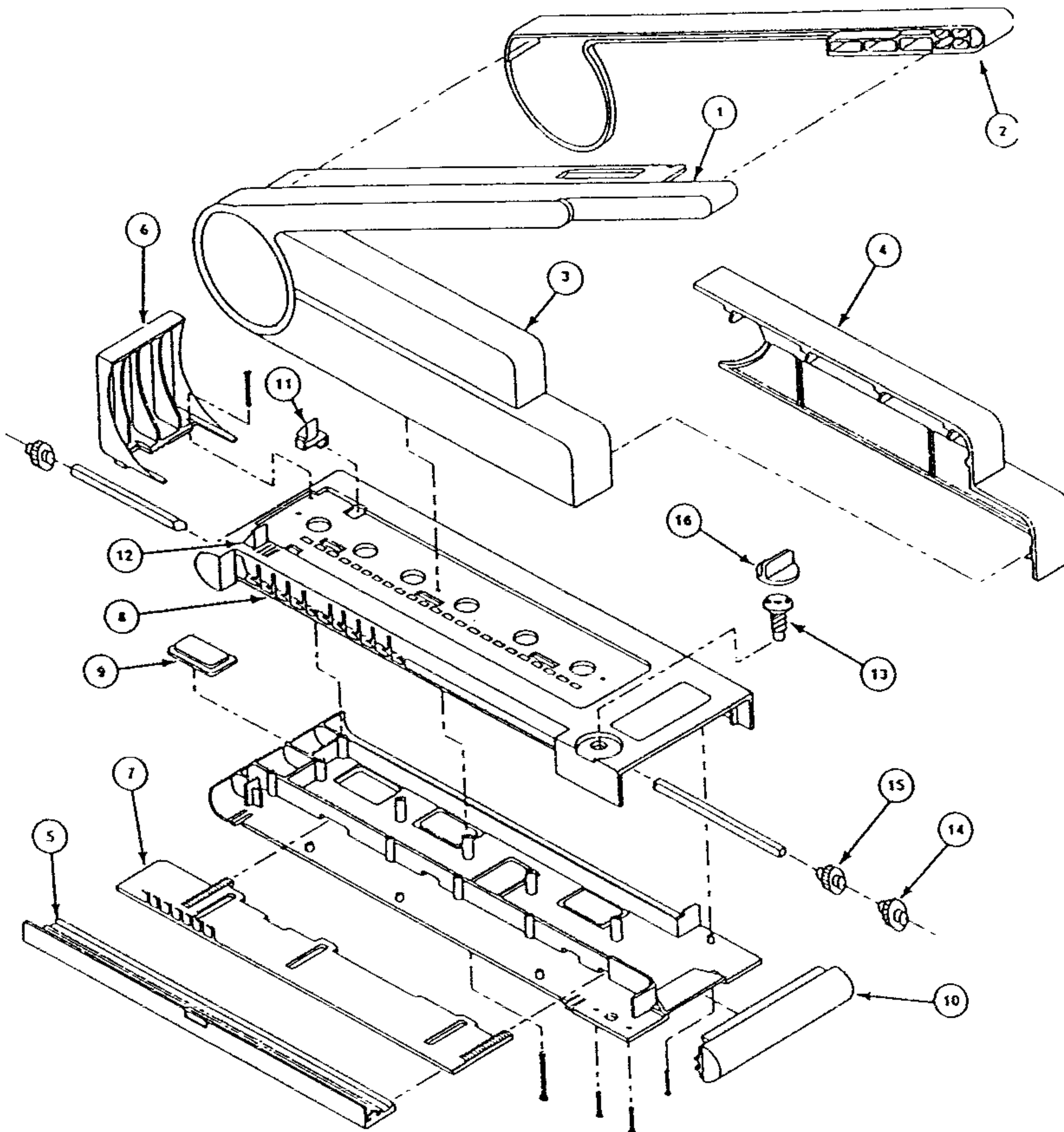


# REPLACEMENT PARTS FOR DOCUBIND

To place your order call 800/477-3444



PART NO.	ITEM	DESCRIPTION	QUAN.
9709006	-	KIT I, DOCUBIND - CONTAINS:	
	3	TOP COVER, LH	1
	4	TOP COVER, RH	1
	5	DOOR, BINDER	1
	6	END CAP, TOP COVER	1
9709008	-	KIT III, DOCUBIND - CONTAINS:	
	7	FINGERS, PUSHER	1
	8	FINGERS, HOLDING	1
9709009	-	KIT IV, DOCUBIND - CONTAINS:	
	1	HANDLE COVER, LH	1
	2	HANDLE COVER, RH	1

PART NO.	ITEM	DESCRIPTION	QUAN.
9709007	-	KIT II, DOCUBIND - CONTAINS:	
	9	PLUG, BASE	4
	10	ACCESS CAP, END	1
	11	EDGE GUIDE, RH	1
	12	EDGE GUIDE, LH	1
	13	GEAR, WORM	1
	14	GEAR, HELICAL	1
	15	GEAR, SPUR	2
	16	KNOB, BINDING	1

GBC FORM NO. 9876543 04/93



National Service Department